



# Home Security Hardware





WHO WE ARE

**H**eadquartered in Redlands, California, Prime-Line Products was established in 1978 as a supplier of Window and Door Replacement Hardware. What started as an initial offering of 300 parts, has now grown to an assortment of thousands of items in a variety of categories within the Home Improvement space.

Prime-Line's growth is enhanced by our proprietary regional assortment data that takes the guesswork out of a business as SKU intensive as replacement hardware and answers the question 'What sells where?' Our relentless focus on innovation, customer service, attention to detail and accurate order processing have been instrumental in developing Prime-Line's leading position in the market for more than 40 years.

Today, with an ever-expanding product mix, Prime-Line is recognized as North America's largest supplier of window and door replacement hardware and is a leader in the Maintenance, Repair and Operations (MRO) industry.

Time and time again, we're the go-to brand for retailers, wholesalers, commercial companies and individual homeowners because of the 'one-stop shop' experience our item selection and in-house expertise provides.

**Without a doubt, we offer thousands of replacement hardware parts... including the one you need.**

### What makes us different:

- Largest selection of current and hard-to-find hardware plus adjacent categories
- Competitive wholesale pricing
- Proprietary market data that provides guidance for regional assortments
- In stock, ready to ship inventory
- Personalized account management and technical support

### How we can help:

- Global sourcing and manufacturing
- Private labeling
- Single-item drop ship and large warehouse order fulfillment
- Nationwide shipping from a centralized location
- Full EDI integrations developed in-house
- In-house eCommerce, content creation and Creative Services

### Have questions?

Our Customer Experience team is made up of industry veterans, they are true experts and are here to help. If you have questions, need a quote or want to place an order, send an email to [customerservice@primeline.net](mailto:customerservice@primeline.net) or call 1-800-255-3505 Monday thru Friday 6am to 5pm PST.

### For further information, please contact us directly:

1980 Orange Tree Lane, Suite 100  
Redlands, CA 92374  
800.255.3505  
[primeline.net](http://primeline.net)

# HOME SECURITY

## Hardware



### Choosing the proper security for your home

**According to the FBI**, a burglary occurs somewhere in the US every 15.4 seconds.

**Most burglaries** are carried out in less than 10 minutes.

**3 out of 4 homes** in the US will be broken into within the next 20 years.

**22%** through a back door    **23%** through a first floor window

**34%** through the front door

**Entry Doors:** 67% of all burglaries are initiated by forced entry. A majority of these are accomplished by kicking in a door. Door guard plates and high security strikes work together to help prevent door kick in attacks. A secure metal barrier prevents jimmy tools from destroying jambs and trim as well. Door viewers, chain door guards and bar door guards help keep you safe from strangers when answering your door.

**Windows:** Most windows can easily be forced open by prying or lifting the sash. Secondary security locks can allow for ventilation, help prevent unwanted access and offer child safety benefits. A wide variety of styles offer the homeowner everything from tamper-resistant window locks to keyed locks, assuring solid, safe child protection as well.

**Patio Doors:** A favorite entry point for many burglars. Many door systems can be lifted or pried open easily. Adding a security bar or secondary locking bolt provides another layer of protection for your family that will help secure your home.

**Cabinet and Drawers:** Keep dangerous chemicals and important items locked up for safety and peace of mind. Cam locks; panel locks and mailbox locks can provide a security in these overlooked areas. Useful in the home or garage, these devices are also easily installed.



U 9549  
Door Guard



U 9909  
Chain Door Lock



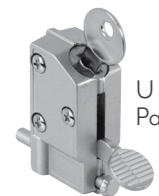
U 9801  
Window Lock



U 9933  
Window Lock



U 9858  
Patio Door Lock



U 9882  
Patio Door Lock



U 11088  
Drawer & Cabinet Lock



**W**e've made it simple to choose the security device that best suits your needs. Be it entry, patio, window or utility, Prime-Line has you covered.

## Section Table of Contents

[How To Use The Catalog](#)

[Latchshields](#)

[Cylinder Locks](#)

[Patio Door Locks](#)

[Deadlatch/Deadlocks](#)

[Segal Locks](#)

[Door Reinforcers](#)

[Strikes](#)

[Door Viewers](#)

[Window Guards](#)

[Drawer/Mailbox Locks](#)

[Window Locks](#)

[Entry Door Locks](#)

## Get the most out of your interactive catalog



Qty: 1 set, 2 keys, with fasteners.

Steel trim plates, case and knobs, keyed, interior use only.

- E 2293** (Brass finish)
- E 2495** (Bronze finish)
- E 2330** (Satin nickel finish)
- E 2798** (Matte black finish)

Clickable hyperlink launches internet browser, opening a new web page that redirects to the product page on the Prime-Line website.

Toggle between photo and dimensioned line drawing of product.

Additional product specifications.

Embedded installation instructional video.\*

Where to buy the product.

Descriptive title.

In depth product description.

Additional bullet points.

\*Product page may not have this feature.

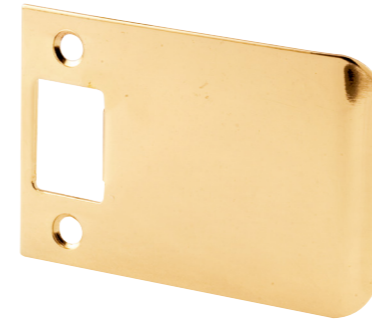
## Latch Strikes

Steel, adjustable tab, 1-5/8 in. hole spacing.

- [E 2232](#) (Brass finish – Qty. 2, with fasteners)
- [E 2307](#) (Brass finish – Qty. 1, with fasteners)
- [E 2349](#) (Brass finish – Qty. 20, with fasteners, per box)
- [E 2233](#) (Antique brass finish – Qty. 2, with fasteners)
- [E 2308](#) (Antique brass finish – Qty. 1, with fasteners)
- [E 2234](#) (Chrome finish – Qty. 2, with fasteners)
- [E 2309](#) (Chrome finish – Qty. 1, with fasteners)
- [E 2301](#) (Stainless steel finish – Qty. 2, with fasteners)
- [E 2457](#) (Satin nickel finish – Qty. 2, with fasteners)



- [E 2456](#) (Satin nickel finish – Qty. 1, with fasteners)
- [E 2516](#) (Classic bronze finish – Qty. 2, with fasteners)
- [E 2793](#) (Matte black finish – Qty. 2, with fasteners)



- Qty: 1, with fasteners.
- Adjustable tab, 1-5/8 in. hole spacing.
- [E 2347](#) (Brass finish – 2-1/2 in. overall length)
  - [E 2345](#) (Solid brass – 3-1/2 in. overall length)



- Qty: 1 set, with fasteners.
- Steel, adjustable, 3 pieces, 2-1/8 in. hole spacing.
- [U 9486](#) (Brass finish)
  - [U 9488](#) (Chrome finish)



- Qty: 1 set, with fasteners.
- Steel, adjustable, 2 pieces, 2-1/8 in. hole spacing.
- [U 10278](#) (Chrome finish)



- Qty: 1 set, with fasteners.
- Steel, adjustable, 3 pieces, 4-1/16 in. hole spacing.
- [U 9495](#) (Brass finish)



- Qty: 1, with fasteners.
- Steel, 2-1/8 in. hole spacing.
- [E 2467](#) (Brass finish)
  - [E 2433](#) (Chrome finish)
  - [E 2484](#) (Satin nickel finish)
  - [E 2788](#) (Classic bronze finish)
  - [E 2795](#) (Matte black finish)



- Qty: 1, with fasteners.
- Solid brass, 2-1/8 in. hole spacing, meets ANSI A156.2.
- [E 2284](#) (Polished brass)
  - [E 2299](#) (Stainless steel)
  - [E 2568](#) (Classic bronze)
  - [E 2794](#) (Matte black finish)



- Qty: 1, with fasteners.
- Steel, fits ANSI cut-out, 4-3/16 in. hole spacing.
- [U 9428](#) (Brass finish)
  - [U 9429](#) (Chrome finish)
  - [U 11199](#) (Satin nickel finish)
  - [U 11200](#) (Classic bronze finish)



- Qty: 1, with fasteners.
- Fits ANSI cut-out (meets ANSI A156.2), 4-3/16 in. hole spacing.
- [U 9484](#) (Solid polished brass)
  - [U 9483](#) (Stainless steel)
  - [U 11450](#) (Stainless steel, matte black finish)



- Qty: 1, with fasteners.
- Steel, improves security with 3 in. long screws attaching to wall stud.
- [U 9422](#) (Brass)
  - [U 9424](#) (Antique brass)
  - [U 9474](#) (Chrome)



- Qty: 1 set, with fasteners.
- Steel, allows hole center flexibility with deadbolt and entry lock installations, improves security with 3 in. long screws attaching to wall stud.
- [U 9989](#) (Brass finish)
  - [U 11041](#) (Satin nickel finish)
  - [U 11158](#) (Classic bronze finish)

## Latch Strikes



Qty: 1, with fasteners.  
Steel, 1-1/2 in. deadbolt and latch hole spacing.  
**E 2435** (Brass finish)



Qty: 1, with fasteners.  
Steel, 2-3/8 in. and 4-13/16 in. hole spacings, improves security with 3 in. long screws attaching to wall stud.  
**U 9426** (Brass finish)    **U 9476** (Chrome finish)



Qty: 1, with fasteners.  
Steel, improves security with 3 in. long screws attaching to wall stud.  
**U 9427** (Brass finish – 3-5/8 in. to 4 in. latch hole spacing)  
**U 9480** (Brass finish – 5-1/2 in. to 6 in. latch hole spacing)  
**U 10385** (Satin nickel finish – 5-1/2 in. to 6 in. latch hole spacing)  
**U 10538** (Classic bronze finish – 5-1/2 in. to 6 in. latch hole spacing)  
**U 11452** (Matte black finish – 5-1/2 in. to 6 in. latch hole spacing)



Qty: 1 set, with fasteners.  
1/8 in. thick heavy gauge steel base, 2-1/8 in. hole spacing, improves security with 3 in. long screws attaching to wall stud.  
**E 2479** (Brass finish)    **E 2482** (Classic bronze finish)  
**E 2480** (Antique brass finish)    **E 2688** (Stainless steel)  
**E 2483** (Satin nickel finish)    **E 2796** (Matte black finish)



Qty: 1, with fasteners.  
Steel, improves security with 3 in. long screws attaching to wall stud.  
**E 2235** (Brass finish)    **E 2461** (Satin nickel finish)  
**E 2285** (Antique brass finish)    **E 2462** (Classic bronze finish)  
**E 2292** (Nickel finish)    **E 2687** (Stainless steel)



Qty: 1, with fasteners.  
Steel, improves security with 3 in. long screws attaching to wall stud.  
**E 2432** (Brass finish)



Qty: 1, with fasteners.  
Steel, improves security with 3 in. long screws attaching to wall stud.  
**U 9535** (Brass finish)    **U 11123** (Classic bronze finish)  
**U 11122** (Satin nickel finish)



Qty: 1, with fasteners.  
Steel, improves security with 3 in. long screws attaching to wall stud.  
**U 9425** (Brass finish)



Qty: 1 set, with fasteners.  
Zinc and steel strike and face plate, screws at base of box secure to framing for added security.  
**U 9539** (Brass finish)



Qty: 1 set, with fasteners.  
Repairs problem latch that “misses the hole” when doors sag or settle. Includes 1 shim and strike for standard interior door (1-3/8 in.) and 1 shim and strike for standard exterior doors (1-3/4 in.).  
**FAL2BR** (Brass finish)    **FAL2SN** (Satin nickel finish)  
**FAL2BZ** (Bronze finish)



## Door Reinforcers

Qty: 1, with fasteners.

Solid brass or stainless steel, non-recessed, reinforces and repairs doors, assists in preventing forced entry, use on wood or metal doors, accommodates key-in-knob locksets or deadbolts.

**U 9547**

Finish	Backset	Door Thickness	Reinforcer Width
Brass	2-3/8 in.	<b>1-3/8 in.</b>	3-7/8 in.

**U 9548**

Brass	2-3/8 in.	<b>1-3/4 in.</b>	3-7/8 in.
-------	-----------	------------------	-----------

**U 9549**

Brass	<b>2-3/4 in.</b>	<b>1-3/8 in.</b>	4-5/16 in.
-------	------------------	------------------	------------

**U 9550**

Brass	<b>2-3/4 in.</b>	<b>1-3/4 in.</b>	4-5/16 in.
-------	------------------	------------------	------------

**U 9568**

Antique brass	2-3/8 in.	<b>1-3/8 in.</b>	3-7/8 in.
---------------	-----------	------------------	-----------

**U 9569**

Antique brass	2-3/8 in.	<b>1-3/4 in.</b>	3-7/8 in.
---------------	-----------	------------------	-----------

**U 9585**

Stainless steel	2-3/8 in.	<b>1-3/8 in.</b>	3-7/8 in.
-----------------	-----------	------------------	-----------

**U 9586**

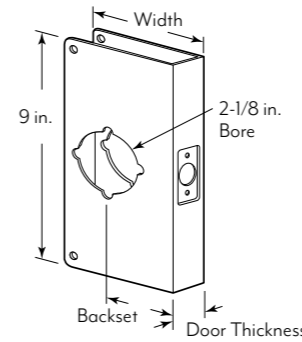
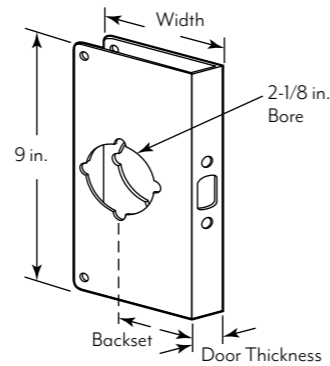
Stainless steel	2-3/8 in.	<b>1-3/4 in.</b>	3-7/8 in.
-----------------	-----------	------------------	-----------

**U 9587**

Stainless steel	<b>2-3/4 in.</b>	<b>1-3/8 in.</b>	4-5/16 in.
-----------------	------------------	------------------	------------

**U 9588**

Stainless steel	<b>2-3/4 in.</b>	<b>1-3/4 in.</b>	4-5/16 in.
-----------------	------------------	------------------	------------



Qty: 1, with fasteners.

Solid brass or stainless steel, recessed, reinforces and repairs doors, assists in preventing forced entry, use on wood or metal doors, accommodates key-in-knob locksets or deadbolts.

**U 9540**

Finish	Backset	Door Thickness	Reinforcer Width
Brass	2-3/8 in.	<b>1-3/8 in.</b>	3-7/8 in.

**U 9541**

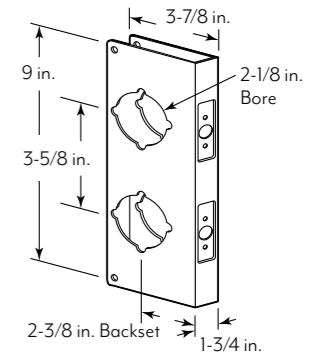
Brass	2-3/8 in.	<b>1-3/4 in.</b>	3-7/8 in.
-------	-----------	------------------	-----------

**U 9551**

Stainless steel	2-3/8 in.	<b>1-3/4 in.</b>	3-7/8 in.
-----------------	-----------	------------------	-----------

**U 9552**

Stainless steel	<b>2-3/4 in.</b>	<b>1-3/4 in.</b>	4-5/16 in.
-----------------	------------------	------------------	------------



Qty: 1, with fasteners.

Solid brass, recessed, reinforces and repairs doors, assists in preventing forced entry, use on wood or metal doors, accommodates key-in-knob locksets or deadbolts.

**U 9546** (Brass)

**U 9559**

Finish	Bore	Backset	Hole Spacing	Door Thickness	Reinforcer Width	Reinforcer Height
Brass	2-1/8 in.	2-3/8 in.	3-5/8 in.	<b>1-3/8 in.</b>	3-7/8 in.	9 in.

**U 9560**

Brass	2-1/8 in.	2-3/8 in.	3-5/8 in.	<b>1-3/4 in.</b>	3-7/8 in.	9 in.
-------	-----------	-----------	-----------	------------------	-----------	-------

**U 9537**

Brass	2-1/8 in.	2-3/8 in.	5-1/2 in.	<b>1-3/4 in.</b>	3-7/8 in.	10-7/8 in.
-------	-----------	-----------	-----------	------------------	-----------	------------

**U 9931**

Brass	1-1/2 in. & 2-1/8 in.	<b>2-3/4 in.</b>	5-1/2 in.	<b>1-3/4 in.</b>	4-5/16 in.	10-7/8 in.
-------	-----------------------	------------------	-----------	------------------	------------	------------

**U 9479**

Brass	2-1/8 in.	<b>2-3/4 in.</b>	5-1/2 in.	<b>1-3/4 in.</b>	4-5/16 in.	10-7/8 in.
-------	-----------	------------------	-----------	------------------	------------	------------

**U 9977**

Brass	1-1/2 in. & 2-1/8 in.	<b>2-3/4 in.</b>	6 in.	<b>1-3/4 in.</b>	4-5/16 in.	10-7/8 in.
-------	-----------------------	------------------	-------	------------------	------------	------------

**U 9577**

Antique brass	2-1/8 in.	2-3/8 in.	3-5/8 in.	<b>1-3/4 in.</b>	3-7/8 in.	9 in.
---------------	-----------	-----------	-----------	------------------	-----------	-------

**U 9595**

Stainless steel	2-1/8 in.	<b>2-3/4 in.</b>	3-5/8 in.	<b>1-3/4 in.</b>	4-5/16 in.	9 in.
-----------------	-----------	------------------	-----------	------------------	------------	-------

**U 10539**

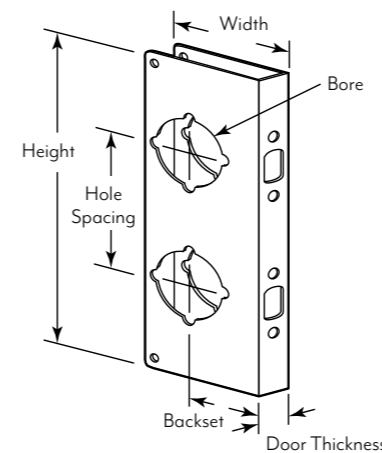
Stainless steel	2-1/8 in.	2-3/8 in.	5-1/2 in.	<b>1-3/4 in.</b>	3-7/8 in.	10-7/8 in.
-----------------	-----------	-----------	-----------	------------------	-----------	------------

**U 10546**

Stainless steel	2-1/8 in.	<b>2-3/4 in.</b>	5-1/2 in.	<b>1-3/4 in.</b>	4-5/16 in.	10-7/8 in.
-----------------	-----------	------------------	-----------	------------------	------------	------------

**U 10750**

Classic bronze	2-1/8 in.	2-3/8 in.	5-1/2 in.	<b>1-3/4 in.</b>	3-7/8 in.	10-7/8 in.
----------------	-----------	-----------	-----------	------------------	-----------	------------



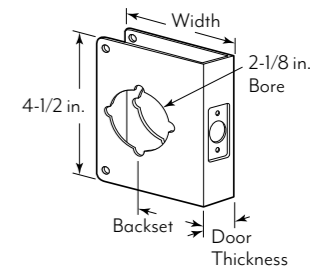
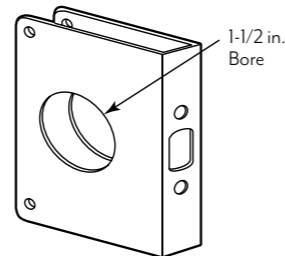
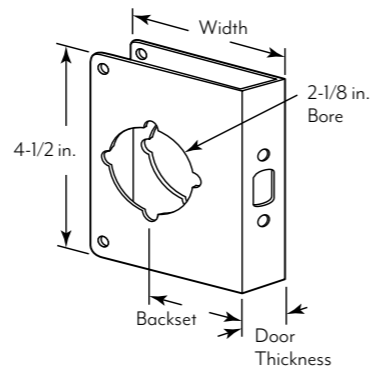
Qty: 1, with fasteners.

Solid brass or stainless steel, non-recessed, reinforces and repairs doors, assists in preventing forced entry, use on wood or metal doors, accommodates key-in-knob locksets or deadbolts.

Qty: 1, with fasteners.

Solid brass or stainless steel, non-recessed, reinforces and repairs doors, assists in preventing forced entry, use on wood or metal doors, accommodates key-in-knob locksets or deadbolts.

	Finish	Bore	Backset	Door Thickness	Reinforcer Width
<a href="#">U 9565</a>	Brass	<b>1-1/2 in.</b>	2-3/8 in.	<b>1-3/4 in.</b>	3-7/8 in.
<a href="#">U 9978</a>	Brass	<b>1-1/2 in.</b>	<b>2-3/4 in.</b>	<b>1-3/4 in.</b>	4-5/16 in.
<a href="#">U 9555</a>	Brass	2-1/8 in.	2-3/8 in.	<b>1-3/8 in.</b>	3-7/8 in.
<a href="#">U 9556</a>	Brass	2-1/8 in.	2-3/8 in.	<b>1-3/4 in.</b>	3-7/8 in.
<a href="#">U 9558</a>	Brass	2-1/8 in.	<b>2-3/4 in.</b>	<b>1-3/4 in.</b>	4-5/16 in.
<a href="#">U 9572</a>	Antique brass	2-1/8 in.	2-3/8 in.	<b>1-3/8 in.</b>	3-7/8 in.
<a href="#">U 9573</a>	Antique brass	2-1/8 in.	2-3/8 in.	<b>1-3/4 in.</b>	3-7/8 in.
<a href="#">U 9575</a>	Antique brass	2-1/8 in.	<b>2-3/4 in.</b>	<b>1-3/4 in.</b>	4-5/16 in.
<a href="#">U 9589</a>	Stainless steel	2-1/8 in.	2-3/8 in.	<b>1-3/8 in.</b>	3-7/8 in.
<a href="#">U 9590</a>	Stainless steel	2-1/8 in.	2-3/8 in.	<b>1-3/4 in.</b>	3-7/8 in.
<a href="#">U 9592</a>	Stainless steel	2-1/8 in.	<b>2-3/4 in.</b>	<b>1-3/4 in.</b>	4-5/16 in.
<a href="#">U 10744</a>	Classic bronze	2-1/8 in.	2-3/8 in.	<b>1-3/8 in.</b>	3-7/8 in.
<a href="#">U 10745</a>	Classic bronze	2-1/8 in.	2-3/8 in.	<b>1-3/4 in.</b>	3-7/8 in.



[U 9543](#)

Finish	Backset	Door Thickness	Reinforcer Width
Brass	2-3/8 in.	<b>1-3/8 in.</b>	3-7/8 in.

[U 9544](#)

Brass	2-3/8 in.	<b>1-3/4 in.</b>	3-7/8 in.
-------	-----------	------------------	-----------

[U 9553](#)

Stainless steel	2-3/8 in.	<b>1-3/4 in.</b>	3-7/8 in.
-----------------	-----------	------------------	-----------

[U 9554](#)

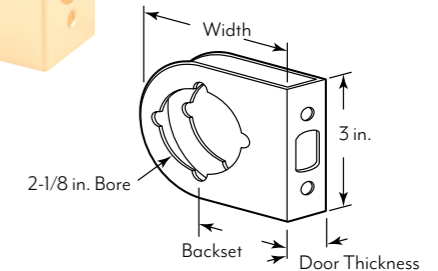
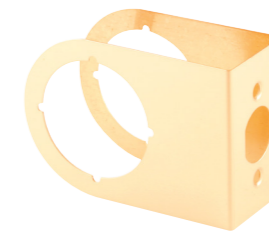
Stainless steel	<b>2-3/4 in.</b>	<b>1-3/4 in.</b>	4-5/16 in.
-----------------	------------------	------------------	------------

Qty: 1, with fasteners.

Solid brass or stainless steel, recessed, reinforces and repairs doors, assists in preventing forced entry, use on wood or metal doors, accommodates key-in-knob locksets or deadbolts.

Qty: 1, with fasteners.

Solid brass, non-recessed, reinforces and repairs doors, assists in preventing forced entry, use on wood or metal doors, accommodates key-in-knob locksets or deadbolts.



[U 10260](#)

Finish	Backset	Door Thickness	Reinforcer Width
Brass	2-3/8 in.	<b>1-3/8 in.</b>	3-7/8 in.

[U 10261](#)

Brass	2-3/8 in.	<b>1-3/4 in.</b>	3-7/8 in.
-------	-----------	------------------	-----------



Qty: 1, with fasteners.

Non-recessed, covers unsightly holes and damage, for 1-3/4 in. thick doors.

[U 9492](#) (Stainless steel)

Qty: 1, with fasteners.

Solid brass or stainless steel, non-recessed, reinforces and repairs doors, assists in preventing forced entry, use on wood or metal doors, accommodates key-in-knob locksets or deadbolts.

	Finish	Door Thickness
<a href="#">U 9566</a>	Brass	<b>1-3/8 in.</b>
<a href="#">U 9567</a>	Brass	<b>1-3/4 in.</b>
<a href="#">U 9976</a>	Stainless steel	<b>1-3/4 in.</b>



Qty: 1, with fasteners.

Extruded aluminum, used on inswing or outswing doors.

[U 9481](#) (Aluminum anodized) [U 9482](#) (Gold anodized)







Qty: 1 set, with fasteners.

Heavy gauge steel, wraps around existing door jamb, repairs broken or splintered jambs, white powder coated finish.

**U 10893** (2-3/8 in. Backset – 1-3/4 in. thick doors)

**U 10895** (2-3/4 in. Backset – 1-3/4 in. thick doors)

**U 10902** (Plate only – 1-3/8 in. thick doors, 36 in. long)

**U 10896** (Plate only – 1-3/4 in. thick doors, 48 in. long)



Qty: 1 set, with fasteners.

Heavy gauge steel, dual plate design, repairs broken or splintered jambs, powder coated finish.

**U 11026** (White)



Qty: 1, with fasteners.

Steel, used on outswing doors, fits rim cylinder night locks.

**U 10378** (Brass finish)



6 in. long

12 in. long

Qty: 1 set, with fasteners.

Steel, used on inswing doors, interlocking brackets, for use on wood or metal doors.

**U 9511** (Painted gray – 6 in.)

**U 9512** (Brass finish – 6 in.)

**U 9513** (Painted gray – 12 in.)

**U 9514** (Brass finish – 12 in.)



Qty: 1, with fasteners.

Steel, for commercial aluminum entrance doors, 12 in. long.

**U 9507** (Painted gray)



Qty: 1, with fasteners.

Steel, used on outswing doors, for use on 1-3/4 in. thick doors.

**U 9509** (Painted gray)

**U 10676** (Stainless steel)

**U 9510** (Brass finish)



7 in. long

Qty: 1, with fasteners.

Steel, used on outswing doors, for use on 1-3/4 in. thick doors.

**U 9500** (Painted gray – 7 in.)

**U 9501** (Painted bronze – 7 in.)

**U 9502** (Brass finish – 7 in.)

**U 9496** (Stainless steel – 7 in.)

**U 9503** (Painted gray – 11 in.)

**U 9504** (Painted bronze – 11 in.)

**U 10027** (Brass finish – 11 in.)



11 in. long

## Latch Shields, Adaptor Rings, Cover Plates & Window Locks



Qty: 1, with fasteners.

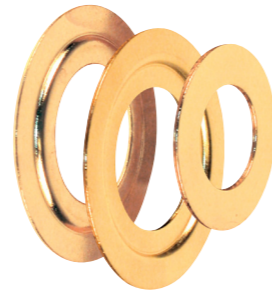
Steel, fills latch face cut-outs.

**U 9520** (1 in. wide – Painted gray)

**U 9521** (1-1/8 in. wide – Painted gray)

**U 9497** (1-1/8 in. wide – Brass finish)

**U 10678** (1-1/8 in. wide – Stainless steel)



Qty: 1 set.

Steel, reduces 2-1/8 in. bore to 1-1/2 in.

**U 9529** (Brass finish)



Qty: 1 set, with fasteners.

Steel, 2-5/8 in. O.D., covers 1/2 in. to 2-1/8 in. holes, fits doors up to 1-3/4 in. thick.

**U 9515** (Painted gray)

**U 9516** (Brass finish)

**U 9531** (Chrome finish)

**U 10888** (Antique brass finish)

**U 10677** (Stainless steel)

**U 10446** (Satin nickel finish)

**U 10889** (Classic bronze)

**U 11453** (Matte black finish)



Qty: 2

Steel, allows conversion of 2-3/8 in. to 2-3/4 in. backset (or 2-3/4 in. to 2-3/8 in.)

**U 9524** (Brass finish)

**U 9498** (Antique brass finish)

**U 9517** (Chrome finish)

**U 10322** (Satin nickel)

**U 10323** (Classic bronze)



Qty: 2

Extruded aluminum, steel screw.

**U 9800** (Aluminum)

**U 9801** (Black)

**U 9802** (White)

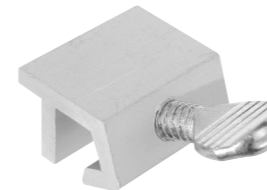


Qty: 2, with wrench.

Extruded aluminum lock, steel screw, plastic tightening wrench.

**U 11127** (Aluminum)

**U 11128** (White)



Extruded aluminum lock, steel screw.

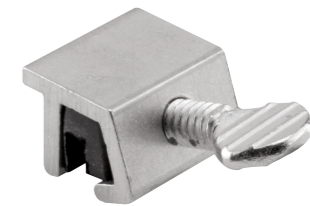
**U 9980** (Aluminum – Qty. 2)

**U 9819** (Aluminum – Qty. 4)

**U 10806** (Aluminum – Qty. 1 per bag – 100 per box)

**U 9982** (White – Qty. 2)

**U 9823** (White – Qty. 4)



Qty: 2

Extruded aluminum, vinyl insert protects track.

**U 10551** (Aluminum)



Qty: 2

Extruded aluminum, vinyl insert protects track.

**U 9820** (Aluminum)

**U 9821** (White)



Qty: 2, with wrench.

Extruded aluminum lock, steel hex screw, steel tightening wrench.

**U 9810** (Aluminum)

**S 4033** (Black)

**U 9812** (White)

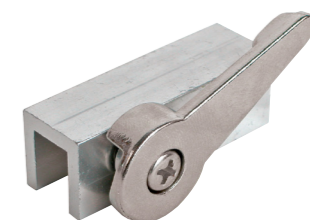


Qty: 2

Zinc diecast, adjustable, for vinyl windows, locks in 3 positions.

**U 9809** (White)

**U 98098** (Black)



Qty: 1

Extruded aluminum, cam action.

**U 9824** (Aluminum)

**U 9825** (White)



Qty: 1, with 2 keys.  
Diecast, keyed.  
**U 9839** (Black)



Qty: 1  
Extruded aluminum, reversible, anti-lift out bar.  
**U 9833** (Aluminum)    **U 9835** (White)



Qty: 1, with fasteners.  
Plastic body, steel bolt, 7/8 in. projection, 2-1/2 in. hole spacing.  
**U 9831** (White)



Qty: 8 pins and 4 keys.  
Steel pin with removal key, resists tampering if glass is broken.  
**U 9845** (Brass finish)



Qty: 1 lock, 2 keys, with fasteners.  
Diecast body, hardened steel bolt, keyed, 1-5/16 in. hole spacing.  
**U 9863** (Brass finish)



Qty: 1 set, with fasteners.  
Stamped steel, cam action, 1-3/4 in. hole spacing.  
**U 9924** (Brass finish)    **U 9925** (White)  
**U 11062** (Satin nickel finish)



Qty: 1 set, 2 keys, with fasteners.  
Heavy zinc diecast, cam action, keyed, 2 in. hole spacing.  
**U 9927** (Brass finish)    **U 9928** (White)



Qty: 1 set, 2 keys, with fasteners.  
Diecast, cam action, keyed, 2-1/4 in. hole spacing.  
**U 9933** (White)



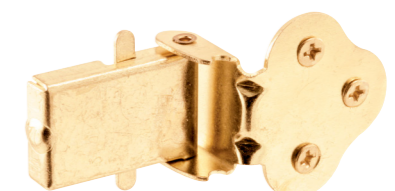
Qty: 1 set, 2 keys, with fasteners.  
Diecast, cam action, lever release feature, 1-3/4 in. hole spacing.  
**U 10670** (White)



Qty: 1 set, with fasteners.  
Diecast, 3 different keepers.  
**U 9935** (Brass finish)    **U 9936** (White)



Qty: 2, with fasteners.  
Plated steel, 7/16 in. projection, flip action.  
**U 9938** (Brass finish)    **U 10683** (Stainless steel)  
**U 9929** (Antique brass finish)



Qty: 1, with fasteners.  
Plated steel, 5/8 in. projection, flip action.  
**U 9926** (Brass finish)



Qty: 2 sets, with fasteners.  
Plated steel, 3/8 in. projection, 1 in. hole spacing.  
**U 9939** (Brass finish)



Qty: 1 set, with fastener.  
Steel pin with chain and holder, 1/8 in. O.D., 1-5/16 in. length.  
**U 9857** (Chrome finish)



Qty: 2, with fasteners.  
Plastic, flip action, 2-1/4 in. hole spacing.  
**S 4600** (White)



Qty: 1, with wrench.  
Extruded aluminum lock, steel hex screws, steel tightening wrench.  
**U 9815** (Aluminum) **S 4035** (Black) **U 9817** (White)



Qty: 1 set, with fasteners.  
Secondary patio door lock, 2 latches, prevents door from being lifted out of track.  
**U 11037**



Qty: 1  
Extruded aluminum housing, double thumbscrew.  
**U 9805** (Aluminum) **U 9807** (White)



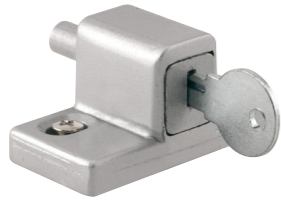
Qty: 1  
Extruded aluminum housing, double thumbscrew.  
**U 10679** (Aluminum)



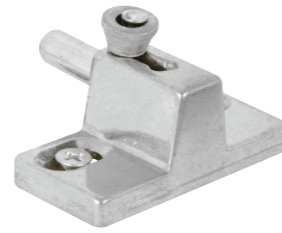
Qty: 1  
Zinc diecast, adjustable, for vinyl patio door, locks in 3 positions.  
**U 10547** (White)



Qty: 1 lock, 2 keys, with fasteners.  
Diecast body, zinc bolt, keyed, 1-5/16 in. hole spacing.  
**U 9861** (Aluminum finish) **U 9862** (White)  
**S 4005** (Black)



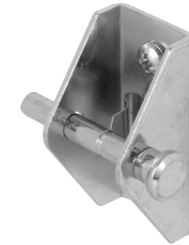
Qty: 1 lock, 2 keys, with fasteners.  
Diecast housing, steel bolt, keyed, 1-3/8 in. hole spacing.  
**U 9870** (Aluminum finish)



Qty: 1, with fasteners.  
Diecast housing, steel bolt.  
**U 9866** (Aluminum finish)    **U 9867** (White)



Qty: 1, with fasteners.  
Zamak cast housing, aluminum bolt, twist action, 1-5/8 in. hole spacing.  
**U 9848** (Zinc)    **U 9849** (Black)    **U 9850** (White)



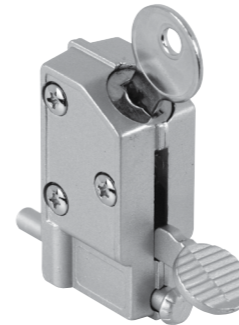
Qty: 1, with fasteners.  
Steel housing with hardened steel pin, 2 position push/pull action, 1/2 in. projection.  
**U 9853** (Aluminum finish)    **U 9855** (White)



Qty: 1, with fasteners.  
Diecast housing, steel bolt, reversible.  
**U 9874** (White)



Qty: 1, with fasteners.  
Diecast housing, hardened steel bolt, foot operation, 5/8 in. projection, 5/8 in. hole spacing.  
**U 9877** (Aluminum finish)    **U 9879** (White)  
**S 4041** (Black)



Qty: 1 lock, 2 keys, with fasteners.  
Diecast housing, zinc bolt, foot operation, 3/4 in. projection.  
**U 9882** (Aluminum finish)    **U 9884** (White)



Qty: 1, with fasteners.  
Plastic body, steel bolt, foot operation.  
**U 9869** (White)



Qty: 1, with fasteners.  
Plastic body, steel bolt, foot operation, 2-1/4 in. hole spacing.  
**U 9865** (White)



Qty: 1, with fasteners.  
Plastic body, steel bolt, 13/16 in. projection.  
**U 9868** (White)



Qty: 1 set, with fasteners.  
Steel pin with chain and holder, 3/16 in. O.D., 2-3/8 in. length.  
**U 9858** (Chrome)



Qty: 1 set, with fasteners.  
Steel pin with chain and holder, spring loaded steel ball, 1/4 in. O.D., 2-3/4 in. length.  
**S 4066** (Chrome)



Qty: 1 lock, 2 keys, with fasteners.  
Diecast body, steel bolt, keyed, 1-1/2 in. projection.  
**U 9997** (Aluminum finish)    **U 9919** (White)



Right hand  
Qty: 1 set, with fasteners.  
Hardened steel rod, diecast bracket and keeper.  
**U 10537** (Nickel finish – Left hand)  
**U 10536** (Nickel finish – Right hand)



Qty: 1 set, with fasteners.  
Hardened steel rod, diecast bracket and keeper.  
**U 9846** (Chrome – 1-1/8 in.)  
**S 4378** (Chrome – 1-7/16 in.)  
**U 9847** (Chrome – 2-1/8 in.)  
**S 4380** (Stainless steel – 13/16 in.)



Qty: 2  
Clear lucite, 2 piece hinged assembly, adhesive backed.  
**U 9842** (Clear)



Qty: 1 set, with fasteners.  
Aluminum bar, accommodates 28 in. to 48 in. wide inside/ outside patio doors.  
**U 9920** (Aluminum)    **U 9921** (White)



Qty: 1 set, 1 key, with fasteners.  
Extruded aluminum bar, stamped steel retainer, plastic retainer with key.  
**S 4405** (Aluminum – 4 ft. bar – Qty. 50)  
**S 4220** (White – 4 ft. bar)



Qty: 1 set, with fasteners.  
Steel chain and keepers.  
**U 9905** (Brass finish)    **U 10386** (Satin nickel finish)  
**U 10533** (Antique brass finish)    **U 11201** (Classic bronze finish)



Qty: 1 set, with fasteners.  
Steel chain, solid brass keepers.  
**U 9907** (Brass finish)    **U 10304** (Satin nickel finish)  
**U 9913** (Antique brass finish)    **U 10305** (Classic bronze finish)  
**U 9909** (Satin chrome finish)    **U 11444** (Matte black finish)



Qty: 1 set, with fasteners.  
Steel chain and keepers.  
**U 9852** (White)



Qty: 1 set, with fasteners.  
With sliding bolt.  
**U 9911** (Solid brass)



Qty: 1 set, 2 keys, with fasteners.  
Steel chain and keepers, keyed.  
**U 9912** (Brass finish)    **U 11093** (Satin nickel finish)  
**U 9914** (Antique brass finish)    **U 9872** (White)



Qty: 1 set, with fasteners.

Solid brass slide bolt, surface and mortise mount keepers.

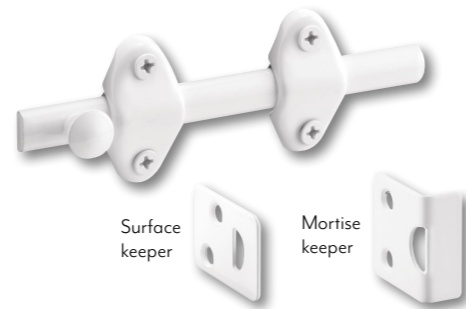
**U 9962** (Brass – 3 in.)

**U 9961** (Brass – 4 in.)

**U 10307** (Bronze finish – 4 in.)

**U 10306** (Satin nickel finish – 4 in.)

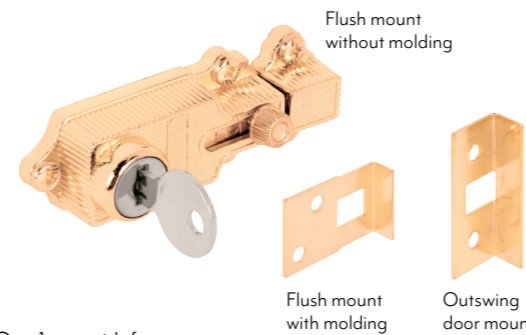
**U 11448** (Matte black finish – 4 in.)



Qty: 1 set, with fasteners.

Steel slide bolt with guide brackets, surface and mortise keepers.

**U 10267** (White)



Qty: 1 set, with fasteners.

Diecast housing, spring loaded, keyed, 2-1/8 in. hole spacing, 3 keepers.

**U 9885** (Brass finish)



**Meets Texas building code requirements**

Qty: 1 set, with fasteners.

Steel, meets Texas building code requirements.

**U 10819** (Chrome) **U 9493** (White) **U 9494** (Gold)



Qty: 1, with fasteners.

Aluminum, designed to withstand 800 lbs. of force, tamper resistant.

**U 11442** (Brass finish)

**U 10826** (Gold anodized)

**U 10827** (Satin nickel)

**U 11126** (Bronze anodized)

**U 11441** (Red bronze)

**U 11325** (Brushed chrome)

**U 11449** (Matte black finish)



Qty: 1, with fasteners.

Aluminum with pull handle, designed to withstand 800 lbs. of force, tamper resistant.

**U 114706** (Brass finish)

**U 114702** (White)

**U 114705** (Satin nickel finish)

**U 114707** (Bronze finish)

**U 114708** (Matte black finish)

Qty: 1, with fasteners.

Steel, flip action.

**U 9887** (Brass finish)

**U 9873** (Antique brass finish)

**U 10319** (Satin nickel finish)

**U 10321** (Classic bronze finish)

**U 9888** (White)

Qty: 5

Adhesive backed.

**S 4215** (Brushed stainless)



Qty: 1 set, with fasteners.

Cast high pressure zamak, defeats lock picking tool by not allowing door to be opened when thumbturn lock is engaged, 3-7/8 in. bar length.

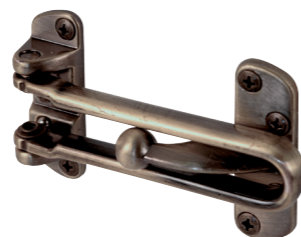
**U 11315** (Brass finish)

**U 11318** (Chrome finish)

**U 11316** (Satin nickel finish)

**U 11317** (Classic bronze finish)

**U 11447** (Matte black finish)



Qty: 1 set, with fasteners.

Heavy metal casting, (2) 1/16 in. door side riser shims, 3-7/8 in. bar length.

**U 9897** (Brass finish)

**U 9899** (Antique brass finish)

**U 9900** (Chrome finish)

**U 9901** (Brushed chrome finish)

**U 10308** (Satin nickel finish)

**U 10309** (Classic bronze finish)

**U 9902** (White)

**U 11446** (Matte black finish)



Qty: 1 set, with fasteners.

Zinc diecast, heavy duty, 4-5/8 in. bar length.

**U 11464** (Classic bronze finish)



Qty: 1  
Solid brass housing, fits 1-3/8 in. to 2-1/8 in. thick doors.

	Finish	View	U.L. Listed	Bore Diameter
<b>U 9892</b>	Brass	180°	No	1/2 in.
<b>U 9893</b>	Brass	180°	No	9/16 in.
<b>U 9891</b>	Brass	200°	Yes	9/16 in.
<b>S 4185</b>	Chrome	180°	No	9/16 in.
<b>U 10348</b>	Satin nickel	200°	Yes	9/16 in.
<b>U 10313</b>	Classic bronze	180°	Yes	9/16 in.
<b>U 11455</b>	Matte black	200°	Yes	9/16 in.



Qty: 1  
Solid brass housing, 160°, fits 1-3/8 in. to 2 in. thick doors.

- U 9895** (Brass)
- U 9983** (Brass – U.L. Listed)
- S 4365** (Satin chrome finish – U.L. Listed)
- U 10347** (Satin nickel finish – U.L. Listed)
- U 10311** (Classic bronze finish – U.L. Listed)



Qty: 1  
Solid brass end caps, diecast housing, glass lens, 130°, fits 1-3/4 in. to 2-3/8 in. thick doors.

- U 9896** (Brass)
- U 10314** (Satin nickel finish)



Qty: 1  
High-impact plastic, allows arms length viewing, fits 1-3/8 in. to 2 in. thick doors.

- U 9916** (Bronze)
- U 9917** (White)
- U 9918** (Dark gray)



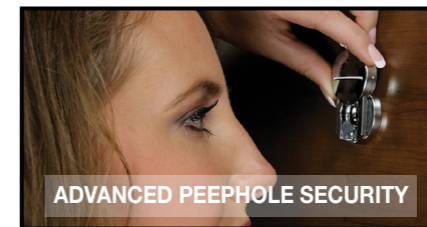
Qty: 2  
ABS material, snap-on design, 2 sizes to fit 3/8 in. and 5/8 in. door viewers, safeguards against peephole tampering, blocks view for anyone spying with a reverse peephole viewer.

- S 5084** (White)



Qty: 1, with fasteners.  
ABS material, slide-up cover, safeguards against peephole tampering, blocks view for anyone spying with a reverse peephole viewer.

- S 5086** (Satin gray)
- S 5088** (Brown)



Qty: 1  
Diecast, 5-13/16 in. hole spacing.

- U 10366** (Satin nickel finish)



Qty: 1, with fasteners.  
Diecast housing, solid brass viewer, 160°, fits 1-3/8 in. to 1-3/4 in. thick doors.

- S 4235** (Antique brass finish)
- U 10327** (Satin nickel finish)



Qty: 1  
Solid brass, inside mount, swivel design.

- S 4793** (Satin chrome finish – 9/16 in.)



Qty: 1  
Exterior plate with name tag, 200° glass lens, interior housing has twin bell tones, no batteries needed.

- U 10814**





Qty: 1 set, with fasteners.

Diecast latch, 2-3/8 in. backset, 2 in. O.D. glass knobs with steel base, steel rosettes.

- E 28326** (Brass finish)      **E 28327** (Bronze finish)
- E 28325** (Satin nickel finish)      **E 28328** (Matte black finish)



Qty: 1 set.

Glass knobs with steel base, 2 in. O.D., 17/64 in. square spindle.

- E 28316** (Brass finish)      **E 28317** (Bronze finish)
- E 28314** (Chrome)      **E 28318** (Matte black finish)
- E 28315** (Satin nickel finish)



Qty: 1 set.

Steel, 2-1/4 in. O.D., 17/64 in. square spindle.

- E 2280** (Brass finish)      **E 2498** (Satin nickel finish)
- E 2319** (White)      **E 2499** (Bronze finish)



Qty: 1 set.

2-3/16 in. O.D., 17/64 in. square spindle.

- E 2297** (Solid brass)



Qty: 1 set.

Steel knobs and spindle, silencer bushing.

- E 2642** (Brass finish)      **E 2643** (Satin nickel finish)



Qty: 1 set.

Steel levers and spindle, silencer bushing.

- E 2660** (Brass finish)      **E 2666** (Classic bronze finish)
- E 2663** (Satin nickel finish)



Qty: 1 set, 2 keys, with fasteners.

Steel trim plates and case, glass knobs with steel base, keyed, interior use only.

- E 28336** (Brass finish)      **E 28337** (Bronze finish)
- E 28335** (Satin nickel finish)      **E 28338** (Bronze finish)



Qty: 1 set, 2 keys, with fasteners.

Steel trim plates, case and knobs, keyed, interior use only.

- E 2293** (Brass finish)      **E 2495** (Bronze finish)
- E 2330** (Satin nickel finish)      **E 2798** (Matte black finish)



Qty: 1 set, 2 keys, with fasteners.

Cast steel lock and keeper, steel knobs and rosettes, keyed, surface mount.

- E 2437** (Brass finish)



Qty: 1 set, 2 keys, with fasteners.

Cast steel lock and keeper, steel knobs and rosettes, keyed, surface mount.

- E 2478** (Brass finish)



Qty: 1 set, 2 keys, with fasteners.

Brass plated steel, keyed, spindle hole accepts 1/4 in. to 5/16 in. square spindles.

- E 2294** (2-3/8 in. backset)

## Rosettes & Escutcheon Plates, Cylinder Locks & Re-Key A Lock



Qty: 2, with fasteners.

Steel, screw mounted.

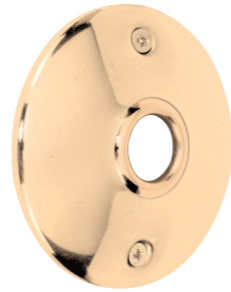
**E 2282** (2-1/4 in. – Brass finish)

**E 2541** (2-1/2 in. – Brass finish)

**E 2439** (2-1/4 in. – Chrome)

**E 2542** (2-1/2 in. – Satin nickel finish)

**E 2543** (2-1/2 in. – Bronze finish)



Qty: 2, with fasteners.

Screw mounted, 3 in. O.D.

**E 2296** (Solid brass)



Steel, threaded, 17/64 in. square.

**E 2459** (Qty. 2 per card)

**E 2434** (Qty. 10 per box)



Qty: 2, with fasteners.

Steel, 1-3/16 in. and 5-7/8 in. hole spacing.

**E 2295** (Brass finish)

**E 2718** (Satin nickel finish)



Qty: 1 set, with fasteners.

Diecast latch, 2-3/8 in. backset, steel strike with adjustable tab.

**E 2281** (Brass finish)

**E 2772** (Bronze finish)

**E 2440** (Chrome)



Qty: 1 set, 2 keys, with fasteners.

Kwikset keyway, heavy duty diecast, 5-pin tumbler.

**U 9965** (Brass finish)

**U 10527** (Brass finish – Qty. 2 pack, keyed alike)

**U 11295** (Satin nickel finish)

**U 11296** (Classic bronze finish)



Qty: 1 set, 2 keys, with fasteners.

Schlage keyway, heavy duty diecast, 5-pin tumbler.

**U 9966** (Brass face)

**U 11458** (Satin nickel finish)



Qty: 1 lock, 2 keys.

Solid brass, 5 pin tumbler, 2 cams, Segal keyway.

**E 2562**



Qty: 1 set, 3 keys.

Includes all necessary tools, 3 keys and enough pins to re-key up to six locks, color coded pins for easy re-keying.

**E 2400** (Kwikset)



Qty: 1 set, 3 keys.

Includes all necessary tools, 3 keys and enough pins to re-key up to six locks, color coded pins for easy re-keying.

**E 2402** (Schlage "C")

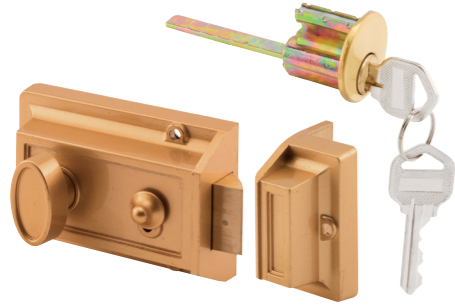


Qty: 1 set, 3 keys.

Includes all necessary tools, 3 keys and enough pins to re-key up to six locks, color coded pins for easy re-keying.

**E 2404** (Weiser)

## Night Locks & Latches & Jimmy-resistant Deadlocks

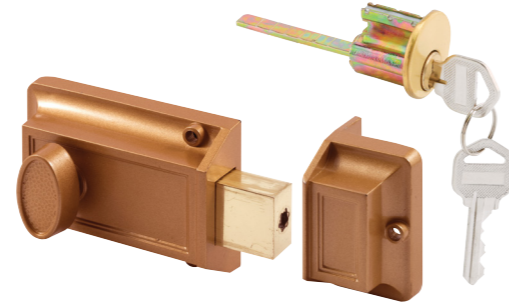


Qty: 1 set, 2 keys, with fasteners.

Diecast, spring latch for automatic locking, single cylinder, 5-pin tumbler, Kwikset® keyway, for 1-3/8 in. to 2-3/8 in. thick doors.

**U 9967** (Brass painted)

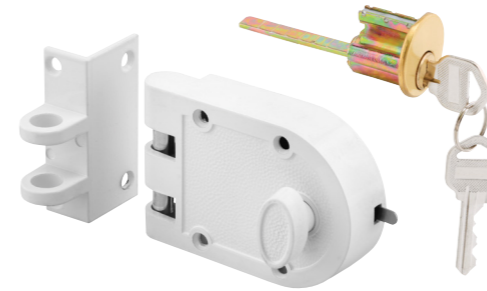
**U 10516** (Satin nickel finish)



Qty: 1 set, 2 keys, with fasteners.

Diecast, 5-pin tumbler, Kwikset® keyway.

**U 9956** (Brass painted)



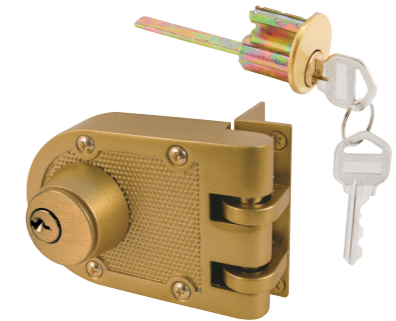
Qty: 1 set, 2 keys, with fasteners.

Diecast, single cylinder, 5-pin tumbler, Kwikset® keyway, for 1-3/8 in. to 2-3/8 in. thick doors.

**U 9970** (Brass painted)

**U 10817** (Satin nickel finish)

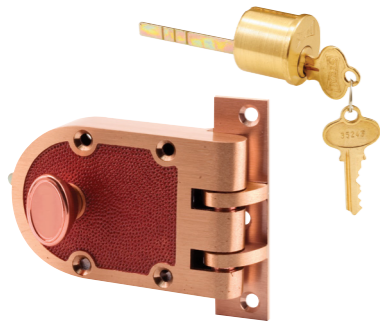
**U 9971** (White)



Qty: 1 set, 2 keys, with fasteners.

Diecast, double cylinder, 5-pin tumbler, Kwikset® keyway, for 1-3/8 in. to 2-3/8 in. thick doors.

**U 9972** (Brass painted)



Qty: 1 set, 2 keys, with fasteners.

Cast bronze housing and keepers, single cylinder, 5-pin tumbler, Segal® keyway, for 1-3/8 in. to 2-3/8 in. thick doors.

**U 10530**



Qty: 1 set, 2 keys, with fasteners.

Cast bronze housing and keepers, solid brass 5-pin tumbler cylinder, Segal® keyway.

	Strike Supplied	Finish	Standard Packaging	Keying	Box Qty.
<b>SE 15361</b>	Angle & Flat	Brushed Brass	Clamshell	KD	3
<b>SE 15323</b>	Flat	Brushed Chrome	Clamshell	KD	3
<b>SE 15316</b>	Angle	Brushed Brass	Box	KD	6
<b>SE 15326</b>	Flat	Brushed Brass	Box	KD	6
<b>SE 15366</b>	Angle & Flat	Brushed Brass	Box	KD	6
<b>SE 15726</b>	Flat	Brushed Brass	Box	KA	6
<b>SE 15328</b>	Flat	Brushed Chrome	Box	KD	6
<b>SE 15728</b>	Flat	Brushed Chrome	Box	KA	6
<b>SE 15332</b>	Angle & Flat	Brushed Chrome	Box	KA	6



Flat strike



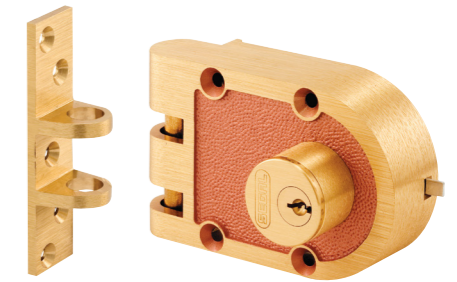
Angle strike



Qty: 1 set, 2 keys, with fasteners.

Cast bronze housing and keepers, double cylinder, solid brass 5-pin tumbler cylinder, Segal® keyway.

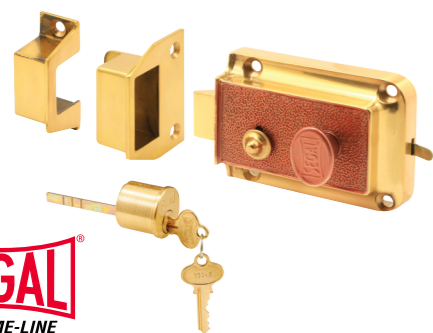
	Strike Supplied	Finish	Standard Packaging	Keying	Box Qty.
<b>SE 19361</b>	Angle & Flat	Brushed Brass	Clamshell	KD	3
<b>SE 19316</b>	Angle	Brushed Brass	Box	KD	6
<b>SE 19326</b>	Flat	Brushed Brass	Box	KD	6
<b>SE 19323</b>	Flat	Brushed Chrome	Box	KD	6



Flat strike



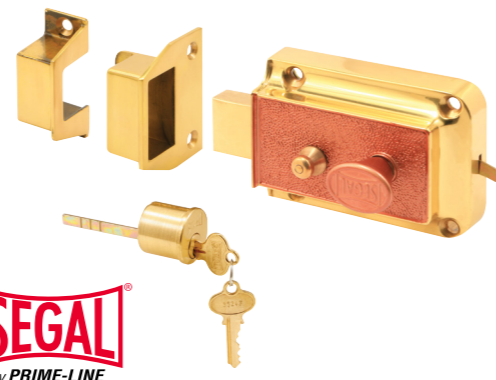
Angle strike



Qty: 1 set, 2 keys, with fasteners.

Cast bronze housing and keepers, solid brass 5-pin tumbler cylinder, Segal® keyway.

**SE 13312** (Brushed brass finish)



Qty: 1 set, 2 keys, with fasteners.

Cast bronze housing and keepers, solid brass 5-pin tumbler cylinder, Segal® keyway.

**SE 13222** (Brushed brass finish)



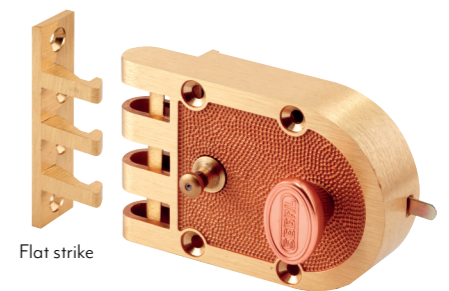
Qty: 1 set, 2 keys, with fasteners.

Cast bronze housing and keepers, automatic relocking bolt, solid brass 5-pin tumbler cylinder, Segal® keyway.

	Strike Supplied	Finish	Standard Packaging	Keying	Box Qty.
<b>SE 14326</b>	Angle & Flat	Brushed Brass	Clamshell	KD	3
<b>SE 14328</b>	Angle & Flat	Brushed Chrome	Clamshell	KD	3
<b>SE 14327</b>	Flat	Brushed Brass	Box	KD	6



Angle strike



Flat strike





Qty: 1 set, 2 keys, with fasteners.

Solid brass knobs and rosettes, high pressure diecast zamak case, keyed, fits 1-3/8 in. to 1-3/4 in. thick doors, 2-1/2 in. backset.

- SE 27580** (Polished brass – right handed)
- SE 27570** (Polished brass – left handed)



Qty: 1 set, 2 keys, with fasteners.

Solid brass knobs and rosettes, high pressure diecast zamak case, keyed, fits 1-3/8 in. to 1-3/4 in. thick doors, 2-1/2 in. backset.

- SE 26000** (Polished brass – left handed)
- SE 26010** (Polished brass – right handed)
- SE 27590** (Satin nickel – left handed)
- SE 27600** (Satin nickel – right handed)



Qty: 50

Solid brass, original Segal® keyway.

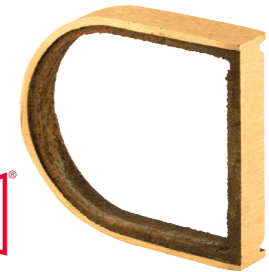
**SE 70001**



Qty: 1

Cast bronze.

- SE 15308** (Brushed brass – 1/4 in.)
- SE 15309** (Brushed brass – 1/2 in.)



Qty: 1 lock, 2 keys, with fasteners.

Fits doors 1-1/4 in. to 3 in. thick, 5-pin tumbler.



Brass plated zinc



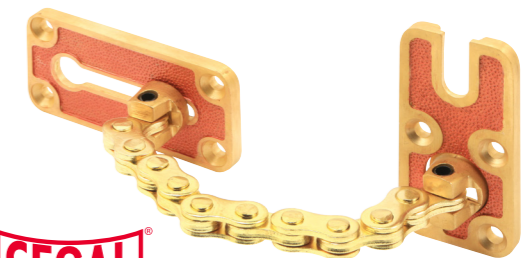
	Materials	Finish	Standard Packaging	Keying	Box Qty.
<b>SE 70002</b>	Brass	Brushed Brass	Clamshell	KD	6
<b>SE 70003</b>	Brass	Brushed Chrome	Clamshell	KD	6
<b>SE 70007</b>	Brass	Brushed Brass	Box	KD	6
<b>SE 66007</b>	Zinc	Brass Plated	Box	KD	6
<b>SE 75007</b>	Zinc	Brass Plated	Box	KA	6



Qty: 1 set, with fasteners.

Cast bronze base, riveted steel motorcycle chain.

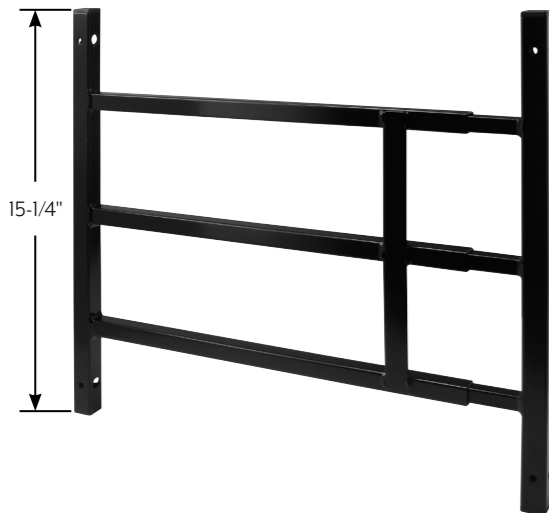
**SE 25300** (Cast bronze)



## Window Guards



- Child-safe 3-7/8 in. bar spacing, inside mount
- Telescoping tubular bar design adjusts to fit a wide variety of window openings
- Approved by the New York City Department of Health and Mental Hygiene, HDWG #04-09-2010
- Quick release feature for fast window guard removal in emergencies with distinct 3-step removal procedure to discourage toddlers (egress version only)
- Tamper resistant screws to keep window guard firmly attached
- Easy to install
- U.S. Patent: No. 8443550



15-1/4 in. Fixed 3 Bar Window Grill

Finish	Width Expandable		
	15-3/4 in. to 22 in.	23-1/2 in. to 38 in.	32-1/2 in. to 54 in.
Black	<a href="#">S 4747</a>	<a href="#">S 4751</a>	<a href="#">S 4755</a>
White	<a href="#">S 4748</a>	<a href="#">S 4752</a>	<a href="#">S 4756</a>
Bronze	—	<a href="#">S 4754</a>	<a href="#">S 4758</a>



21-1/4 in. Fixed 4 Bar Window Grill

Finish	Width Expandable		
	15-3/4 in. to 22 in.	23-1/2 in. to 38 in.	32-1/2 in. to 54 in.
Black	<a href="#">S 4759</a>	<a href="#">S 4763</a>	<a href="#">S 4767</a>
White	<a href="#">S 4760</a>	<a href="#">S 4764</a>	<a href="#">S 4768</a>
Bronze	<a href="#">S 4762</a>	<a href="#">S 4766</a>	<a href="#">S 4770</a>



Egress

21-1/4 in. Hinged 4 Bar Window Grill

Finish	Width Expandable		
	14 in. to 22 in.	22 in. to 38 in.	31 in. to 54 in.
Black	<a href="#">S 4771</a>	<a href="#">S 4775</a>	<a href="#">S 4779</a>
White	<a href="#">S 4772</a>	<a href="#">S 4776</a>	<a href="#">S 4780</a>
Bronze	—	<a href="#">S 4778</a>	<a href="#">S 4782</a>



Installs in brick structures, fits 1/2 in. thick plywood, re-usable, plywood greater than 48 in. should be reinforced by attaching 2 in. x 4 in.'s along edge for increased strength.

**S 5100** (Zinc plated – 20 per clamshell)  
**MP5099** (Black – 50 per bag)



Qty: 1 set, 2 keys, with fasteners.  
Steel hasp, diecast lock housing, keyed.  
**U 9951** (Zinc)



Qty: 1 set, 2 keys.  
Steel, fits up to 5/16 in. thick glass, adjustable, keyed.  
**U 9949** (Chrome)



Qty: 1 set, with fasteners.  
Cast aluminum, 15/16 in. hole spacing.  
**U 10881** (Brass finish)      **U 10883** (Classic bronze)  
**U 10882** (Satin nickel finish)



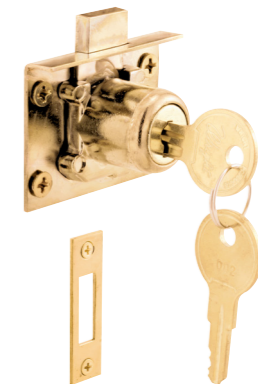
Qty: 1 lock, 2 keys.  
Diecast, keyed, deters tampering.  
**S 4180** (Gray)



Qty: 1 lock, 2 keys.  
Diecast, keyed, deters tampering.  
**S 4181** (Gray)



Qty: 1 set, 2 keys, with fasteners.  
Self latching, keyed, Chicago keyway, fits up to a 7/8 in. thick panel.  
**U 10665** (Brass finish)



Qty: 1 set, 2 keys, with fasteners.  
Keyed, Chicago keyway, fits up to a 7/8 in. thick panel.  
**U 10666** (Brass finish)



Qty: 1 set, 2 keys, with fasteners.  
Keyed, Chicago keyway, fits up to a 1 in. thick panel.  
**U 10667** (Brass finish)



Qty: 1 lock, 2 keys.  
Diecast, keyed, 5/16 in. projection, 1-7/16 in. hole spacing, Yale keyway.  
**U 9947** (Brass finish)



Qty: 1 set, 2 keys.

Diecast housing, stainless steel face,  
3 steel cams.

**U 9942**

**U 9944**

**U 9944KA**

**U 9946**

**U 9946KA**

**U 9953**

**U 9953KA**

**U 9941**

**U 9941KA**

**U 9943**

**U 9943KA**

**U 9945**

**U 9945KA**

**U 9950**

**U 9950KA**

**U 11088**

**U 11089**

	Finish	Max. Door Thickness	Cylinder Length	Keyed Alike
	Brass	5/16 in.	5/8 in.	No
	Brass	9/16 in.	7/8 in.	No
	Brass	9/16 in.	7/8 in.	Yes
	Brass	13/16 in.	1-1/8 in.	No
	Brass	13/16 in.	1-1/8 in.	Yes
	Brass	1 in.	1-3/8 in.	No
	Brass	1 in.	1-3/8 in.	Yes
	Chrome	5/16 in.	5/8 in.	No
	Chrome	5/16 in.	5/8 in.	Yes
	Chrome	9/16 in.	7/8 in.	No
	Chrome	9/16 in.	7/8 in.	Yes
	Chrome	13/16 in.	1-1/8 in.	No
	Chrome	13/16 in.	1-1/8 in.	Yes
	Chrome	1 in.	1-3/8 in.	No
	Chrome	1 in.	1-3/8 in.	Yes
	Classic Bronze	13/16 in.	1-1/8 in.	No
	Classic Bronze	1 in.	1-3/8 in.	No



Qty: 1 lock, 2 keys, with fasteners.

Steel, offset key cylinder, 1/4 in. projection, 1-7/16 in. hole spacing.

**S 4048** (Brass finish)



Qty: 1 lock, 2 keys, with fasteners.

Steel, offset key cylinder, 5/16 in. projection.

**S 4049** (Brass finish)



Qty: 1 lock, 2 keys, with fasteners.

Steel, offset key cylinder, 1/2 in. projection.

**S 4086** (Brass finish)

**CCEP 9946KA**

**CCEP 9941KA**

**CCEP 9943KA**

**CCEP 9945KA**

**CCEP 9950KA**

	Finish	Max. Door Thickness	Cylinder Length
	Brass	13/16 in.	1-1/8 in.
	Chrome	5/16 in.	5/8 in.
	Chrome	9/16 in.	7/8 in.
	Chrome	13/16 in.	1-1/8 in.
	Chrome	1 in.	1-3/8 in.



Qty: 1 set, 2 keys per bag, 20 bags per box.

Diecast housing, stainless steel face, 3 steel cams, keyed alike.

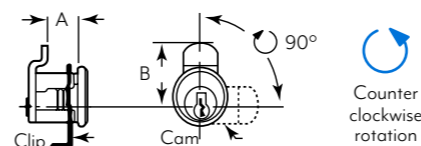
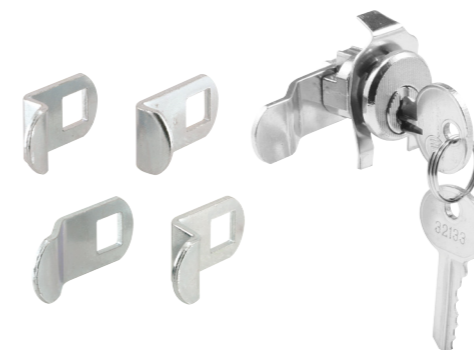
Qty: 1 set, 2 keys.

Diecast cylinder, 5-pin cylinder, 5 steel cams.

**S 4140** (Nickel)

**U 9940** (Brass)

Replaces	Dimensions		Turn to Open	Locked Cam Position
	A	B		
American Device	7/16 in.	1-7/16 in.	90° CCW	Left
Florence	11/32 in.	15/16 in.	90° CCW	Up
Miami-Carey	5/16 in.	13/16 in.	90° CCW	Up
Bommer	7/8 in.	1-7/32 in.	90° CCW	Down
Auth	9/32 in.	1-3/32 in.	90° CCW	Left



Counter clockwise rotation

Qty: 1 set, 2 keys.

Diecast cylinder with dust cover, spring steel locking clip, steel cam, fits Auth Electric.

**S 4302**



Clockwise rotation

Qty: 1 set, 2 keys.

Diecast cylinder, 5-pin tumbler, spring steel locking clip, steel cam.

**S 4130** (Nickel)

Replaces	Locked Cam Position	Keyway
Florence	Up	Hudson



## Mailbox Locks



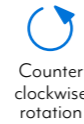
Clockwise rotation

Qty: 1 set, 2 keys.

Diecast cylinder, 5-pin tumbler, spring steel locking clip, steel cam.

**S 4136** (Nickel – carded)    **S 4136C** (Nickel – clam)

Replaces	Locked Cam Position	Keyway
Dura-Steel	Down	Hudson



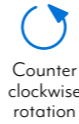
Counter clockwise rotation

Qty: 1 set, 2 keys.

Diecast cylinder, 5-pin tumbler, spring steel locking clip, steel cam.

**S 4125** (Nickel – carded)    **S 4125C** (Nickel – clam)

Replaces	Locked Cam Position	Keyway
Bommer	Left	Hudson



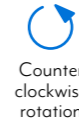
Counter clockwise rotation

Qty: 1 set, 2 keys.

Diecast cylinder, 5-pin tumbler, spring steel locking clip, steel cam.

**S 4127** (Nickel)

Replaces	Locked Cam Position	Keyway
Bommer	Down	Hudson



Counter clockwise rotation

Qty: 1 set, 2 keys.

Diecast cylinder, 5-pin tumbler, spring steel locking clip, steel cam.

**S 4128** (Nickel)

Replaces	Locked Cam Position	Keyway
Auth Electric	Left	Hudson



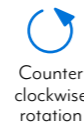
Counter clockwise rotation

Qty: 1 set, 2 keys.

Diecast cylinder, 5-pin tumbler, spring steel locking clip, steel cam.

**S 4129** (Nickel – carded)    **S 4129C** (Nickel – clam)

Replaces	Locked Cam Position	Keyway
American Device	Left	Hudson



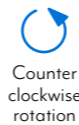
Counter clockwise rotation

Qty: 1 set, 2 keys.

Diecast cylinder, 5-pin tumbler, spring steel locking clip, steel cam.

**S 4133** (Nickel)

Replaces	Locked Cam Position	Keyway
Cutler	Left	Hudson



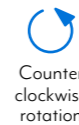
Counter clockwise rotation

Qty: 1 set, 2 keys.

Diecast cylinder, 5-pin tumbler, spring steel locking clip, steel cam.

**S 4137** (Nickel – carded)    **S 4137C** (Nickel – clam)

Replaces	Locked Cam Position	Keyway
Jensen General	Left	Hudson



Counter clockwise rotation

Qty: 1 set, 2 keys.

Diecast cylinder, 5-pin tumbler, spring steel locking clip, steel cam.

**S 4138** (Nickel)

Replaces	Locked Cam Position	Keyway
Bommer Hook	Left	Hudson



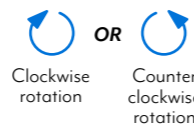
Clockwise rotation

Qty: 1 set, 2 keys.

Diecast cylinder, 5-pin tumbler, spring steel locking clip, steel cam.

**S 4315** (Nickel)

Replaces	Locked Cam Position	Keyway
Florence	Up	National



Clockwise rotation

OR  
Counter clockwise rotation

Clockwise rotation shown

Qty: 1 set, 2 keys.

Diecast cylinder, 5-pin tumbler, spring steel locking clip, fits Auth Florence.

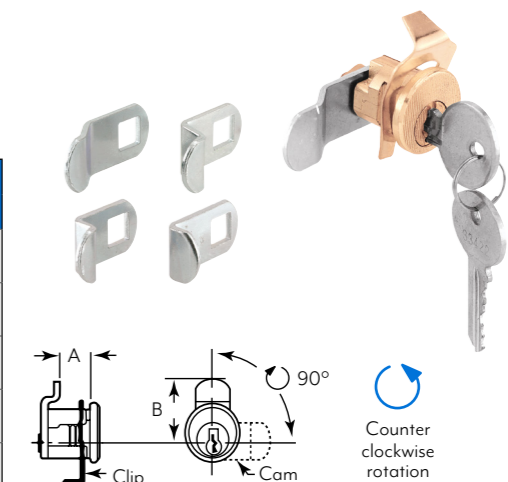
**S 4710** (Nickel – with dust cover – clockwise rotation – carded)  
**S 4710C** (Nickel – with dust cover – clockwise rotation – clam)  
**S 4711** (Nickel – counter clockwise rotation)

Qty: 1 set, 2 keys.

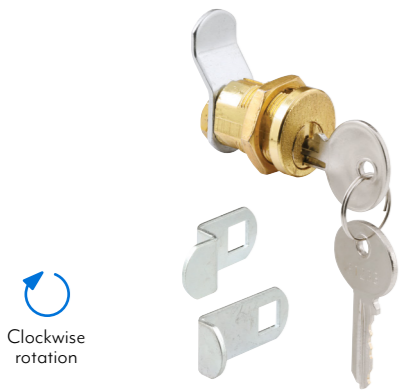
Diecast cylinder, 5-pin tumbler, spring steel locking clip, 5 steel cams.

**S 4634** (Brass finish – carded)    **S 4634C** (Brass finish – clam)

Replaces	Dimensions		Turn to Open	Locked Cam Position
	A	B		
American Device	7/16 in.	1-7/16 in.	90° CCW	Left
Florence	11/32 in.	15/16 in.	90° CCW	Up
Miami-Carey	5/16 in.	13/16 in.	90° CCW	Up
Bommer	7/8 in.	1-7/32 in.	90° CCW	Down
Auth	9/32 in.	1-3/32 in.	90° CCW	Left



## Mailbox Locks, Key Tags & Mail Slot Sleeves

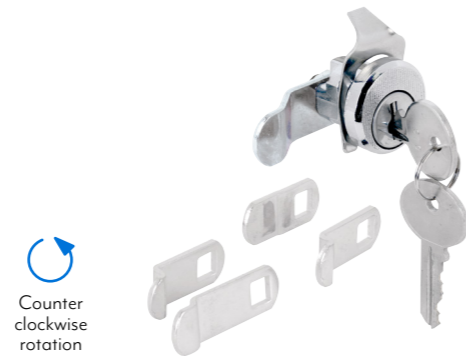


Clockwise rotation

Qty: 1 set, 2 keys.

Diecast cylinder, 3 steel cam and lock nut.

**S 4648** (Brass finish – carded)    **S 4139** (Chrome – carded)  
**S 4648C** (Brass finish – clam)    **S 4139C** (Chrome – clam)



Counter clockwise rotation

Qty: 1 set, 2 keys.

Diecast cylinder with dust cover, 5-pin tumbler, spring steel locking clip, 5 steel cams.

**S 4533** (Nickel – with dust cover – carded)  
**S 4533C** (Nickel – with dust cover – clam)



Counter clockwise rotation

Qty: 1 set, 2 keys.

Diecast cylinder with dust cover, 5-pin tumbler, spring steel locking clip, 5 steel cams.

**S 4573** (Nickel – carded)    **S 4573C** (Nickel – clam)

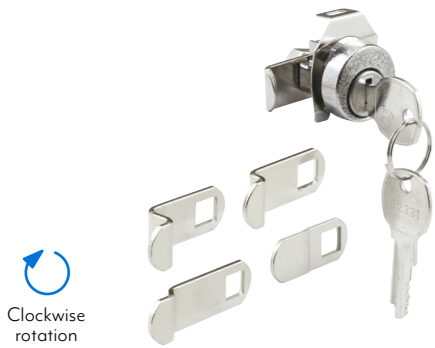


Counter clockwise rotation

Qty: 1 set, 2 keys.

Diecast cylinder with dust cover, 5-pin tumbler, spring steel locking clip, 9 steel cams.

**S 4531** (National keyway – carded)  
**S 4531C** (National keyway – clam)



Clockwise rotation

Qty: 1 set, 2 keys.

Diecast cylinder with dust cover, 5-pin tumbler, spring steel locking clip, 5 steel cams.

**S 4526** (National keyway – carded)



Qty: 20

Plastic, 1-1/4 in. square.

**EP 4269**



Qty: 1, with fasteners.

Stainless steel, made to fit all 1 1/2 in. in-door mail slots.

**S 4784**



Qty: 1, with fasteners.

Stainless steel, made to fit all 7-1/2 in. in-door mail slots.

**S 4817**

## Keyed Item Information

	Product Status	Keyed Alike	Keyed Different	Key Blank	Description
<b>CCEP 9941KA</b>	Active	Yes		Yale Y-II	20 pieces per box
<b>CCEP 9942KA</b>	Disco	Yes		Yale Y-II	20 pieces per box
<b>CCEP 9943KA</b>	Active	Yes		Yale Y-II	20 pieces per box
<b>CCEP 9944KA</b>	Disco	Yes		Yale Y-II	20 pieces per box
<b>CCEP 9945KA</b>	Active	Yes		Yale Y-II	20 pieces per box
<b>CCEP 9946KA</b>	Active	Yes		Yale Y-II	20 pieces per box
<b>CCEP 9950KA</b>	Active	Yes		Yale Y-II	20 pieces per box
<b>CCEP 9953KA</b>	Obsolete	Yes		Yale Y-II	20 pieces per box
<b>E 2293</b>	Active			Contact Prime-Line	Skeleton Key
<b>E 2294</b>	Active			Contact Prime-Line	Skeleton Key
<b>E 2311</b>	Active			Contact Prime-Line	Skeleton Key
<b>E 2330</b>	Active			Contact Prime-Line	Skeleton Key
<b>E 2437</b>	Active			Contact Prime-Line	Skeleton Key
<b>E 2478</b>	Active			Contact Prime-Line	Skeleton Key
<b>E 2494</b>	Pre-Prod			Contact Prime-Line	Skeleton Key
<b>E 2495</b>	Active			Contact Prime-Line	Skeleton Key
<b>E 2496</b>	Active			Contact Prime-Line	Skeleton Key
<b>E 2497</b>	Active			Contact Prime-Line	Skeleton Key
<b>S 4048</b>	Active			N/A	—
<b>S 4049</b>	Active			N/A	—
<b>S 4051</b>	Disco		Yes	ILCO 1180S (XL7)	XL-1 Keyway
<b>S 4053</b>	Obsolete		Yes	ILCO 1180S (XL7)	XL-1 Keyway
<b>S 4054</b>	Obsolete		Yes	ILCO 1180S (XL7)	XL-1 Keyway
<b>S 4055</b>	Obsolete		Yes	ILCO 1180S (XL7)	XL-Keyway
<b>S 4086</b>	Active			N/A	—
<b>S 4125</b>	Active		Yes	ILCO 1003M	Hudson Keyway
<b>S 4126</b>	Obsolete		Yes	ILCO 1003M	Hudson Keyway
<b>S 4127</b>	Active		Yes	ILCO 1003M	Hudson Keyway
<b>S 4128</b>	Active		Yes	ILCO 1003M	Hudson Keyway
<b>S 4129</b>	Active		Yes	ILCO 1003M	Hudson Keyway

	Product Status	Keyed Alike	Keyed Different	Key Blank	Description
<b>S 4130</b>	Active		Yes	ILCO 1003M	Hudson Keyway
<b>S 4131</b>	Obsolete		Yes	ILCO 1003M	Hudson Keyway
<b>S 4132</b>	Disco		Yes	ILCO 1003M	Hudson Keyway
<b>S 4133</b>	Active		Yes	ILCO 1003M	Hudson Keyway
<b>S 4134</b>	Disco		Yes	ILCO 1003M	Hudson Keyway
<b>S 4136</b>	Active		Yes	ILCO 1003M	Hudson Keyway
<b>S 4137</b>	Active		Yes	ILCO 1003M	Hudson Keyway
<b>S 4138</b>	Active		Yes	ILCO 1003M	Hudson Keyway
<b>S 4139</b>	Active		Yes	ILCO 1098 (98X)	Hudson Keyway
<b>S 4140</b>	Active		Yes	ILCO 1003M	Hudson Keyway
<b>S 4297</b>	Obsolete		Yes	ILCO 1003M	Hudson Keyway
<b>S 4180</b>	Active			ILCO 1041GA	Chicago Keyway
<b>S 4299</b>	Disco		Yes	ILCO 1003M	Hudson Keyway
<b>S 4300</b>	Obsolete			ILCO 1003M	Hudson Keyway
<b>S 4301</b>	Disco			ILCO 1003M	Hudson Keyway
<b>S 4302</b>	Active			ILCO 1003M	Hudson Keyway
<b>S 4303</b>	Disco			ILCO 1003M	Hudson Keyway
<b>S 4310</b>	Obsolete		Yes	ILCO 51064A (NA14)	National Keyway
<b>S 4311</b>	Obsolete		Yes	ILCO 51064A (NA14)	National Keyway
<b>S 4312</b>	Obsolete		Yes	ILCO 51064A (NA14)	National Keyway
<b>S 4313</b>	Disco		Yes	ILCO 1180S (XL7)	XL-1 Keyway
<b>S 4314</b>	Obsolete		Yes	ILCO 1180S (XL7)	XL-1 Keyway
<b>S 4315</b>	Active		Yes	ILCO 51064A (NA14)	National Keyway
<b>S 4316</b>	Disco		Yes	ILCO 51064A (NA14)	National Keyway
<b>S 4317</b>	Obsolete		Yes	ILCO 1180S (XL7)	XL-1 Keyway
<b>S 4318</b>	Obsolete		Yes	ILCO 51064A (NA14)	National Keyway
<b>S 4319</b>	Obsolete		Yes	ILCO 51064A (NA14)	National Keyway
<b>S 4322</b>	Obsolete		Yes	ILCO 51064A (NA14)	National Keyway
<b>S 4390</b>	Obsolete		Yes	ILCO 1098M	B1 Keyway
<b>S 4499</b>	Obsolete		Yes	ILCO 1003M	Hudson Keyway

## Keyed Item Information

	Product Status	Keyed Alike	Keyed Different	Key Blank	Description
<b>S 4530</b>	Pre-Prod		Yes	ILCO I180S (XL7)	XL-1 Keyway
<b>S 4531</b>	Active		Yes	ILCO 51064A (NA14)	National Keyway
<b>S 4532</b>	Disco		Yes	ILCO 1003M	Hudson Keyway
<b>S 4533</b>	Active		Yes	ILCO 1003M	Hudson Keyway
<b>S 4634</b>	Active		Yes	ILCO 1003M	Hudson Keyway
<b>S 4648</b>	Active		Yes	ILCO 1003M	Hudson Keyway
<b>U 9838</b>	Active		Yes	ILCO 1098M	BI Keyway
<b>U 9839</b>	Active		Yes	ILCO 1098M	BI Keyway
<b>U 9861</b>	Active		Yes	Yale Y-13	Yale Keyway
<b>U 9863</b>	Active		Yes	Yale Y-11	Yale Keyway
<b>U 9870</b>	Active	Yes		Contact Prime-Line	—
<b>U 9871</b>	Obsolete	Yes		Contact Prime-Line	—
<b>U 9872</b>	Active		Yes	ILCO 1098M	BI Keyway
<b>U 9882</b>	Active		Yes	ILCO 1098M	BI Keyway
<b>U 9883</b>	Obsolete		Yes	ILCO 1098M	BI Keyway
<b>U 9884</b>	Active		Yes	ILCO 1098M	BI Keyway
<b>U 9885</b>	Active		Yes	ILCO 1098M	BI Keyway
<b>U 9912</b>	Active		Yes	ILCO 1098M	BI Keyway
<b>U 9914</b>	Active		Yes	ILCO 1098M	BI Keyway
<b>U 9919</b>	Active		Yes	ILCO 1098M	BI Keyway
<b>U 9927</b>	Active		Yes	ILCO 1098M	BI Keyway
<b>U 9928</b>	Active		Yes	ILCO 1098M	BI Keyway
<b>U 9932</b>	Disco		Yes	ILCO 1041T	Chicago Keyway
<b>U 9933</b>	Active		Yes	ILCO 1041T	Chicago Keyway
<b>U 9940</b>	Active		Yes	ILCO 1003M	Hudson Keyway
<b>U 9941</b>	Active		Yes	Yale Y-11	Yale Keyway
<b>U 9942</b>	Active		Yes	Yale Y-11	Yale Keyway
<b>U 9943</b>	Active		Yes	Yale Y-11	Yale Keyway
<b>U 9944</b>	Active		Yes	Yale Y-11	Yale Keyway
<b>U 9945</b>	Active		Yes	Yale Y-11	Yale Keyway

	Product Status	Keyed Alike	Keyed Different	Key Blank	Description
<b>U 9946</b>	Active		Yes	Yale Y-11	Yale Keyway
<b>U 9947</b>	Active		Yes	Yale Y-13	Yale Keyway
<b>U 9949</b>	Active		Yes	N/A	—
<b>U 9950</b>	Active		Yes	Yale Y-11	Yale Keyway
<b>U 9951</b>	Active		Yes	ILCO 1098M	BI Keyway
<b>U 9952</b>	Obsolete		Yes	ILCO 1098M	BI Keyway
<b>U 9953</b>	Active		Yes	Yale Y-11	Yale Keyway
<b>U 9956</b>	Active			KW-1	Kwikset Keyway
<b>U 9965</b>	Active			KW-1	Kwikset Keyway
<b>U 9966</b>	Active			ILCO SC-1	Schlage Keyway
<b>U 9967</b>	Active			KW-1	Kwikset Keyway
<b>U 9968</b>	Disco			KW-1	Kwikset Keyway
<b>U 9969</b>	Obsolete			KW-1	Kwikset Keyway
<b>U 9970</b>	Active			KW-1	Kwikset Keyway
<b>U 9971</b>	Active			KW-1	Kwikset Keyway
<b>U 9972</b>	Active			KW-1	Kwikset Keyway
<b>U 9973</b>	Obsolete			KW-1	Kwikset Keyway
<b>U 9974</b>	Obsolete			KW-1	Kwikset Keyway
<b>U 9997</b>	Active		Yes	ILCO 1098M	BI Keyway
<b>U 10530</b>	Active			SE1	Segal Keyway
<b>U 10531</b>	Obsolete			SE1	Segal Keyway
<b>U 10665</b>	Active		Yes	ILCO 1041T	Chicago Keyway
<b>U 10666</b>	Active		Yes	ILCO 1041T	Chicago Keyway
<b>U 10667</b>	Active		Yes	ILCO 1041T	Chicago Keyway