

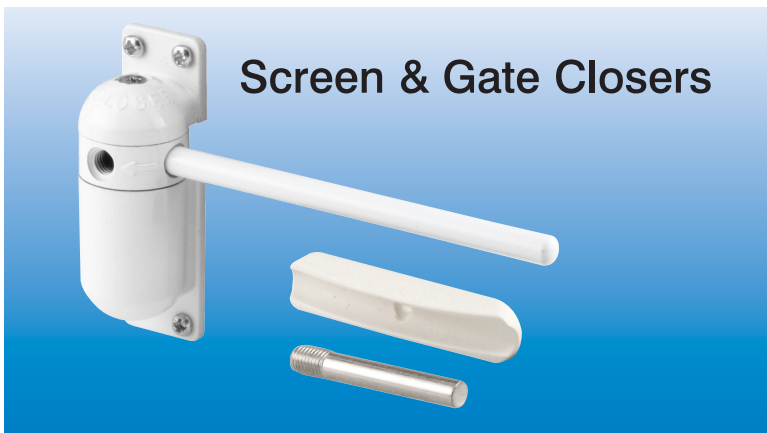
Gibcloser®

Surface Mounted Door Closers



Spring Door Closers

- Neat, compact and durable
- U.L. Listed and meets Canadian Nat'l Standard
- Included in 1/2 hour fire door test to BS476 Part 22 - 1987
- Suitable for use with doors up to 150 lbs. (68kg)
- Available in polished brass, satin chrome, chrome, white, black and brown finish
- Suitable for right or left-handed doors
- Maintenance-free
- Die-cast zinc alloy body incorporates two torsion springs
- Adjustable pressure exerts a variable closing force on doors.
- For interior use only



Screen & Gate Closers

- Neat, compact and durable
- Die-cast zinc housing
- Fully rust and weather resistant
- Suitable for exterior use
- Ideal for swinging screen doors and pool gates up to 57 lbs. (26kg)
- Available in white or brown
- Utilizes a single torsion spring

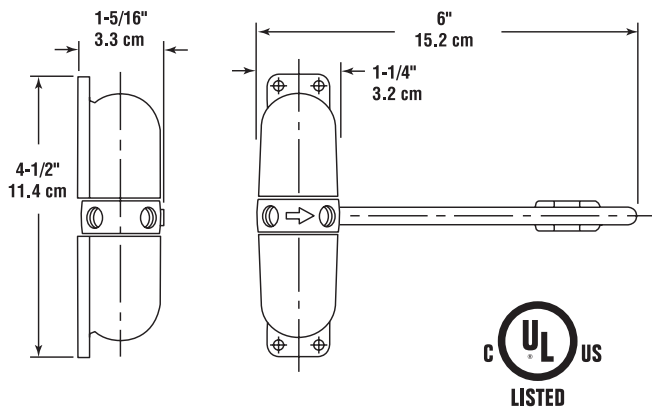


Spring Action Concealed Door Closers

Concealed Door Closers

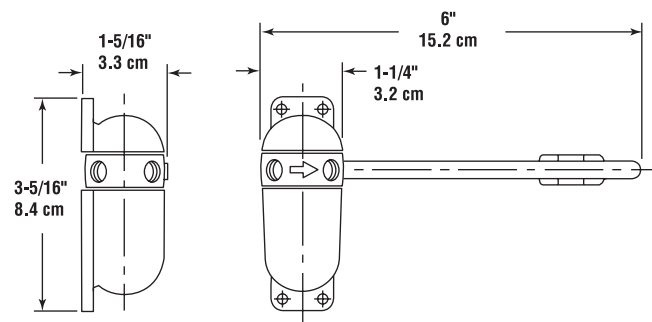
- Vandal resistant, unobtrusive and cost effective
- 5/8" (16mm) diameter barrel accommodates narrow doors
- U.L. Listed and meets Canadian Nat'l Standard
- Included in 1/2 hour fire door test to BS476 Part 22 - 1987
- Suitable for use with doors up to 150 lbs. (68kg) with maximum opening angle of 100°
- Black powder coated barrel with brass fitting plates

Spring Door Closers



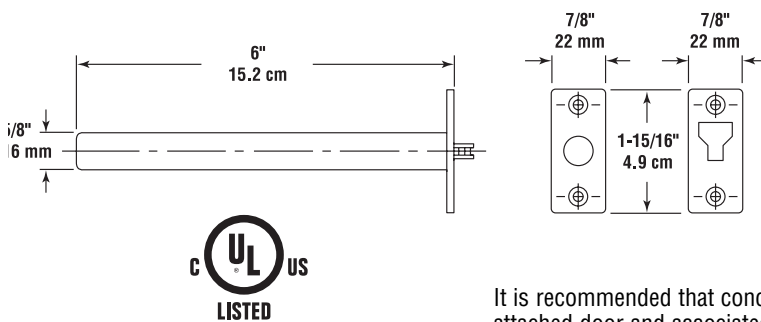
Model	Description	Packaging	Case Qty
KC05US	Polished Brass	Clam	6
KC06US	Polished Brass	Box	10
KC67US	Chrome	Clam	6
KC68US	Chrome	Box	10
KC60HD	Satin Chrome	Clam	6
KC61US	Satin Chrome	Box	10
KC10HD	White	Clam	6
KC11US	White	Box	10
KC17HD	Brown	Clam	6
KC18US	Brown	Box	10
KC16HD	Black	Clam	6

Screen & Gate Closers



Model	Description	Packaging	Case Qty
KC50HD	White	Clam	6
KC57US	Brown	Clam	6

Spring Action Concealed Door Closers



Model	Description	Packaging	Case Qty
KC30US	Black/Polished Brass	Clam	6
KC31US	Black/Polished Brass	Box	10
KC32HD	Black/Chrome	Clam	6

It is recommended that concealed closers are fitted to a latched door. It is important that the attached door and associated fittings are correctly installed and do not affect the ability of the concealed closer to close and latch the door. Performance of any door closer may be adversely affected by poor ventilation and limited air flow. If such conditions exist, provision should be made for the use of a suitable latching aid.



All Gibclosers® are non-handed and suitable for installation on either right or left hand doors.

All Gibclosers® are virtually maintenance-free and require nothing more than routine dusting and cleaning.

Gibcloser®

© - 2006 Prime-Line Products
PRIME-LINE

For further information, call:

1-800-255-3505

or visit: www.gibcloser.com