

SLIDE-CO

Slide-Co
26950 San Bernardino Ave.
Redlands, CA 92374

Slide-Co was established in 1961 as a supplier of Window and Door Replacement Hardware. The original listing of approximately 300 items has grown to well over 18,000. This was necessary to accommodate the various regional requirements nationwide, as well as, in Canada and Mexico.

The company's growth is enhanced by a 420,000 sq. ft. manufacturing and warehousing facility and 430 dedicated employees. The focus on innovation, customer service, attention to detail and accurate order processing has been instrumental in developing Prime-Line's enviable position in the market.

Slide-co continues it's leadership role by reacting to the hardware industries need for specialty product categories.

Catalog Features:

- ▶ See the table of contents to locate a specific item from 25 different categories.
- ▶ All items, in a given category, are grouped together on consecutive pages with like or similar items.
- ▶ If you know a specific part number, you may find it quickly by using the master index at the end of this catalog.
- ▶ Each product category is preceded by a numerical listing indicating a catalog page location, suggested retail price, individual package quantities and standard packs.

Noteworthy Information:

- ▶ Most products are available in bulk pack quantities, please call customer service for pricing information.
- ▶ Some old part numbers have been replaced with new numbers. Please contact our customer service department for the new number.

Terms and Conditions

Pricing & Orders

Prices do not include freight, taxes and duties and are subject to change without notice. Typographical errors are subject to correction. Items will be invoiced at prices current at the time of shipment. Minimum order \$25.00.

Any quotes are valid for 30 days from the time of written quotation unless otherwise stated.

All orders are accepted subject to availability of merchandise. Orders must be modified or canceled within one (1) hour of entry or fees may apply. All orders are confirmed via fax or e-mail, and are the customer's responsibility to verify. All orders will be accepted on a ship and cancel basis, unless otherwise requested.

Due to engineering upgrades and manufacturing variance, the actual replacement part may or may not look identical to the representative illustration.

Need It, But Don't See It? We welcome the opportunity to source and locate parts not shown in the catalog. Send an electronic image to Customer Service at info@primeline.net. Or mail your sample. Sample items can be shipped freight prepaid with tracking number to Slide-Co, Attn: Director of Customer Service, 26950 San Bernardino Avenue, Redlands, CA 92374. Please include a brief note with your name, address and phone number indicating this is a sample for identification purposes. Samples will be returned within two (2) weeks.

Special orders are non-cancelable, non-returnable and must be ordered via a purchase order from the Purchaser. All special orders will be shipped in accordance with quoted lead times. Minimum order quantities may be required on special orders or bulk orders. Bulk orders may be shipped at industry standard $\pm 10\%$ of the order quantity. Purchaser is liable for the entire order quantity. Special discounting is available on large quantity orders; call (800) 475-4332 for pricing and availability.

Terms

Slide-Co accepts Visa, MasterCard, American Express, Discover and Diner's Card. For customers with established Slide-Co credit, payment terms are net thirty (30) days from the date of shipment or pick-up of products. Credit application must be completed in full. Credit application must be completed in full. All credit extended by Slide-Co and the limits of such credit, are at Slide-Co's sole discretion, and may be reduced or revoked by Slide-Co at any time, for any reason. Slide-Co reserves the right to charge a late payment fee at the rate of one and one-half percent (1.5%) of the amount due for each month or portion thereof that the amount due remains unpaid, or such amount as may be permitted under applicable law.

Slide-Co has the right, at any time and in its sole discretion, to immediately change the terms of any credit extended to customer if: (i) there is a material change in customer's financial capability or credit-worthiness; (ii) customer enters into or signs an agreement regarding any Change of Control; or (iii) a trustee, receiver or examiner is appointed for customer or its affiliates or subsidiaries or customer's plan of reorganization is confirmed by a U.S. Bankruptcy Court.

Additionally, customer, and each of its subsidiaries and affiliates, agrees to provide to Slide-Co proper authorization necessary for Slide-Co to request any financial information from third parties.

Freight

Prices stated are F.O.B. origin, freight prepaid to destination specified in the order.

Slide-Co covers shipping and handling for standard ground delivery for orders over US \$500 before tax and freight (including any backorders) within the contiguous United States.

COD shipments are not permitted.

Other terms and conditions may apply for shipping methods other than standard ground delivery.

Accessorial Charges, including but not limited to over size and residential delivery charges will be passed through from the carrier and must be paid by customer. Fuel surcharges may be applied.

Title and risk of loss pass to customer upon tender of shipment to the carrier. If the product is damaged in transit, customer's only recourse is to file a claim with the carrier.

Slide-Co will not be responsible for any failure to perform due to causes beyond its reasonable control (each, a "Force Majeure") including, but not limited to, acts of God, war, riot, embargoes, acts of civil or military authorities, denial of or delays in processing of export license applications, fire, floods, earthquakes, accidents, strikes, or fuel crises, provided that Slide-Co gives prompt written notice thereof. The time for performance will be extended for a period equal to the duration of the Force Majeure, but in no event longer than sixty (60) days.

Returns

Items must be returned within 30-days from date of purchase. No returns will be accepted without pre-authorization from Slide-Co. Contact Customer Service at (800) 475-4332 for a return authorization number. Freight and re-stocking charges of (20%) may be applied. Obsolete or discontinued items may not be accepted.

Acceptance

Placement of an order constitutes acceptance of these terms and conditions.

Limited Warranty

Slide-Co warrants this product against material defects and workmanship for one (1) year from the date of purchase and will refund the purchase price only. Claimant must provide copy of purchase receipt and supply at purchaser's expense product for inspection at Slide-Co's normal place of business. Slide-Co makes no representation about the suitability of this product for any purpose, and makes no warranties, either expressed or implied, including merchantability and fitness for a particular purpose. Prime-Line agrees to replace or refund the purchase price only, and in no event will be liable for any direct, indirect, incidental, special, punitive, consequential, or exemplary damages, (including but not limited to lost profits, revenue, data, lost goodwill, cost of procurement of substitute equipment or property incurred by you or any third party, arising from product failure. Use of products purchased in a manner other than intended use nullifies this warranty.

If you have a warranty claim, please notify Slide-Co and have the following information available:

Model Number:

Dated Proof of Purchase Receipt

Name of Installer (if installed by other than homeowner)

Detailed explanation of the defect (photos may be requested)

Product Category	Page Location
<hr/>	
Sliding Screen Door	
Rollers, Guides and Accessories.....	11-1 thru 11-23
Handles and Latches.....	12-1 thru 12-12
<hr/>	
Sliding Patio Door	
Rollers and Accessories.....	13-1 thru 13-38
Handles, Latches and Accessories.....	14-1 thru 14-24
Locks, Keepers and Accessories.....	15-1 thru 15-19
<hr/>	
Bi-passing, Bi-folding and Pocket Door	
Bi-passing Rollers, Guides and Accessories.....	16-1 thru 16-33
Bi-folding Guides, Pivots and Accessories.....	16-33 thru 16-57
Pocket Door Rollers, Guides and Accessories.....	16-58 thru 16-63
Bi-passing Track Kits.....	16-63
Bi-folding Track Kits.....	16-64
Pocket Door Track Kits.....	16-64
<hr/>	
Sliding Window (Horizontal and Vertical)	
Handles and Latches.....	17A-1 thru 17A-16
Rollers and Guides.....	17B-1 thru 17B-24
<hr/>	
Casement, Jalousie and Awning Window	
Operators, Locks and Accessories.....	17C-1 thru 17C-37
<hr/>	
Truth Window Hardware (New Package Program)	
Awning Window Operators.....	TH-1
Casement Window Operators.....	TH-2 thru TH-3
Crank Handle and Cover Plates.....	TH-4
Locks, Keepers and Track.....	TH-5 thru TH-8
Hinges.....	TH-9
<hr/>	
Window Screen	
Clips, Latches, Hangers and Accessories.....	18-1 thru 18-12
<hr/>	
Storm Window and Door Panel	
Clips, Thumbscrews and Weatherstrip.....	18A-1 thru 18A-3
<hr/>	
Screening Accessories (New Package Program)	
Screen Frame Kits.....	PL-2
Plastic Corners.....	PL-3
Rolling Tools.....	PL-4
Re-Screening Kits.....	PL-5
Vinyl Retainer Spline.....	PL-6
Clips, Latches, Hangers, etc.....	PL-7 thru PL-17
<hr/>	
Tub and Shower Door	
Rollers, Catches, Guides and Accessories.....	19-1 thru 19-19
<hr/>	
R.V. and Mobile Home	
Window and Vent Operators.....	22A-1 thru 22A-6
Latches, Locks and Door Holders.....	22A-7 thru 22A-14

Table of Contents

Drawer and Cabinet

Drawer Track Kits	22B-1 thru 22B-2
Drawer Guides and Rollers	22B-2 thru 22B-12
Latches, Hinges and Accessories	22B-12 thru 22B-14

Home Security (Auxiliary Locks)

Window	15A-1 thru 15A-6
Patio Door	15A-7 thru 15A-11
Entry Door	15A-12 thru 15A-17
Utility (i.e. Mail Box and Cam Locks)	15A-18 thru 15A-23

Defender Security (New Package Program)

Strike Plates.....	DS-2 thru DS-5
Latch and Lock Re-inforcing Plates	DS-6 thru DS-11
Latch Shields	DS-11 thru DS-13
Window Locks	DS-14 thru DS-17
Sliding Patio Door Locks	DS-18 thru DS-21
Entry Door Locks.....	DS-22 thru DS-27
Child Security	DS-28 thru DS-30
Utility Locks (Mail Box and Cam Locks).....	DS-31 thru DS-33

Builders Hardware

Shelf Pegs	24-1 thru 24-4
Door Stops, Holders and Bumpers	24-4 thru 24-5
Mirror Clips and Hangers	24-7 thru 24-8
Flag Pole Holders	24-9 thru 24-10
Bed Frame Clamps	24-11
Bullet and Roller Catches	24-11
House Numbers and Letters	24-12
Shelf Brackets and Shelving Accessories.....	24-12 thru 24-13
Shelving Accessories and Corner Shields	24-14 thru 24-15

Commercial Door

Locks, Stops and Accessories.....	J-1 thru J-10
Adjustable, Hydraulic Closers.....	J-11 thru J-12
Kick Plates, Push and Pull Plates	J-12 thru J-13
Hinges	J-14

Sectional Overhead Garage Door

Springs, Pulleys, Hinges and Accessories	GD-1 thru GD-17
--	-----------------

Storm and Screen Door

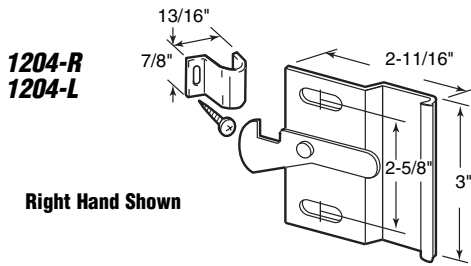
Latches, Closers and Accessories	K-1 thru K-15
--	---------------

Handyman Springs

Extension.....	SP-2
Compression	SP-2
Planograms	SP-3

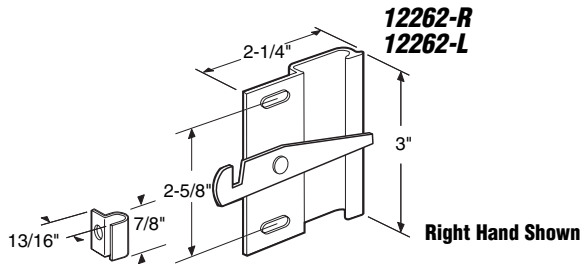
Restroom Partition

Brackets, Keepers, Hinges and Accessories	PH-1 thru PH-9
---	----------------



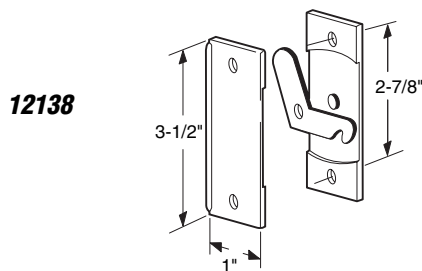
1204-R
1204-L

Right Hand Shown

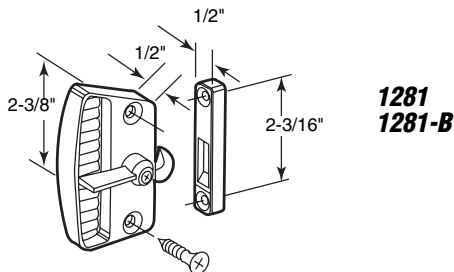


12262-R
12262-L

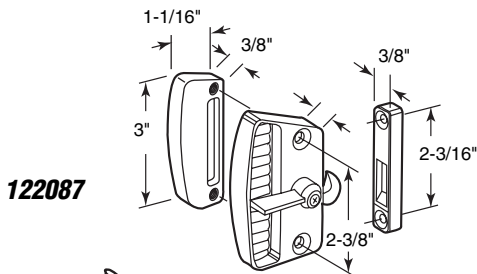
Right Hand Shown



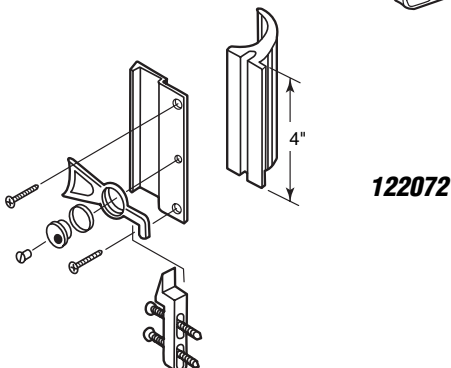
12138



1281
1281-B



122087



122072

1204-R (Right hand)
1204-L (Left hand)

Latch and Pull (Anodized aluminum)

Contents: 1 inside pull; 1 strike; installation screws.

Description: Surface-mount; used by many manufacturers.

You may wish to stock these related parts: **122073**.

12262-R (Right hand)
12262-L (Left hand)

Call for
Availability

Latch and Pull (Anodized aluminum)

Contents: 1 inside pull; 1 strike; installation screws.

Description: Surface-mount; used by many manufacturers.

You may wish to stock these related parts: **122073**.

12138 (Black)

Latch and Pull (Plastic)

Contents: 1 inside and outside pull; 1 steel lever latch; installation screws.

Description: Non-handed; surface mount; fits on *Keller* doors.

You may wish to stock these related parts: **11475**, **111492**.

1281 (Chrome)
1281-B (Black)

Deluxe Latch and Pull (Diecast)

Contents: 1 inside pull; 1 strike; installation screws.

Description: Non-handed; surface mount; used by many manufacturers.

You may wish to stock these related parts: **122071**, **122090**.

122087 (Chrome)

Deluxe Latch and Pull (Diecast)

Contents: 1 inside pull; 1 outside pull; 1 strike; installation screws.

Description: Non-handed; surface mount; used by many manufacturers.

122072

Latch and Pull

Call for
Availability

Contents: 1 aluminum inside and outside pull; 1 diecast lock assembly; 1 strike; installation screws.

Description: Non-handed Universal application; surface mount.

You may wish to stock these related parts: **122073**, **1207-M**, **1207**, **121969**.

Sliding Screen Door

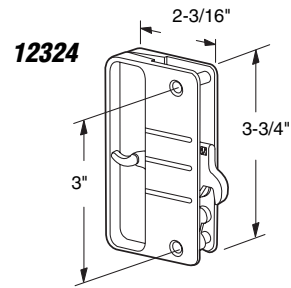
12324 (Black)

Latch and Pull with Security Lock (Plastic)

Contents: 1 plastic inside and outside pull; 1 white lock and latch assembly with installation screws.

Description: Non-handed; complete with security lock; mortise installation; fits on *Anjac* doors.

You may wish to stock these related parts: **12321, 121751, 122078, 1109, 1109-B.**



12550 (Use on doors 1/2" thick)

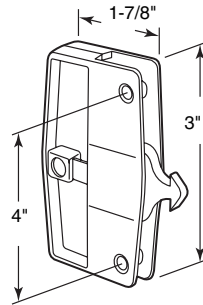
12963 (Use on doors 1" thick)

Latch and Pull with Security Lock (Black)

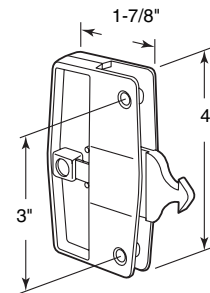
Contents: 1 inside and outside pull; 1 lock and latch assembly with installation screws.

Description: Non-handed; complete with security lock; mortise installation; plastic assembly; fits on *Columbia* doors.

You may wish to stock these related parts: **12321, 12713, 121480, 121685, 11434, 11657, 11658, 111218.**



12550
12963



121327

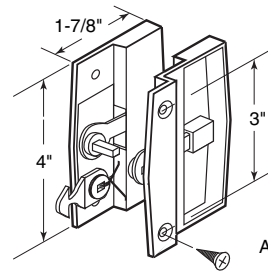
121327 (New style 12550)

Latch and Pull with Security Lock (Black)

Contents: 1 inside and outside pull; 1 lock and latch assembly with installation screws.

Description: Non-handed; complete with security lock; mortise installation; plastic assembly; fits on *Columbia* doors.

You may wish to stock these related parts: **12321, 12713, 121480, 121685, 11434, 11657, 11658, 111218.**



121402

ACTUATOR

121402 (Hat section style doors)

Latch and Pull with Security Lock (Black)

Contents: 1 inside and outside pull; 1 lock and latch assembly with installation screws.

Description: Non-handed; complete with security lock; mortise installation; plastic assembly; fits on *Columbia* doors.

You may wish to stock these related parts: **12321, 12713, 121480, 121685, 11434, 11657, 11658, 111218.**

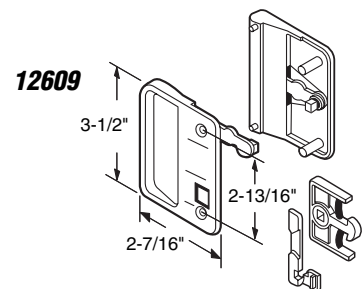
12609 (Black)

Latch and Pull (Plastic)

Contents: 1 inside and outside pull; 1 lock and latch assembly with installation screws.

Description: Non-handed; complete with security lock; mortise installation; fits on doors by several door manufacturers including *Northrup Arch* and *Fran Meyer* doors.

You may wish to stock these related parts: **121090, 11314, 11749, 11960.**



12609

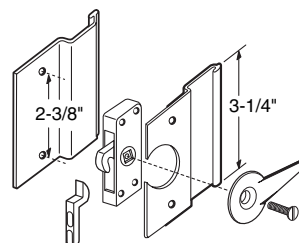
122076

Latch and Pull (Anodized aluminum)

Contents: 1 inside and outside pull; 1 diecast internal latch assembly; 1 thumb turn; 1 diecast strike; 1 set of fasteners.

Description: Designed to fit 1-3/4" channel frame; mortise installation; non-handed; contains 12673 internal latch.

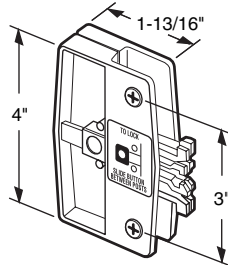
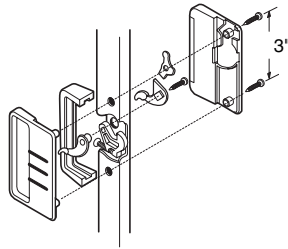
You may wish to stock these related parts: **1207-M, 1273, 12673.**



122076

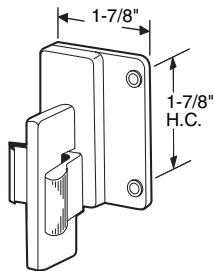
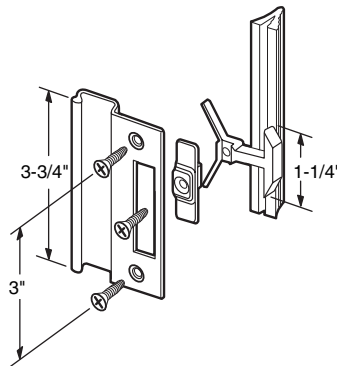
Call for
Availability

122078



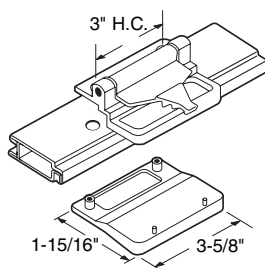
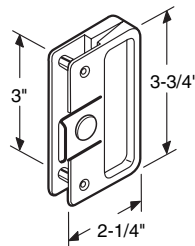
121685

1297



122080

12952



122075

122078 (Black)

Latch and Pull (Plastic)

Contents: 1 inside and outside pull; 1 **white** plastic lock and latch assembly; 1 spacer for **hat-section door applications**; installation screws.

Description: Non-handed; complete with **security** lock; mortise installation; fits on **Anjac** extruded frame doors.

You may wish to stock these related parts: **12324, 12321, 1109, 1109-B**

121685 (Black - For 1/2" thick doors)

Latch and Pull (Plastic)

Contents: 1 inside and outside pull; 1 lock and latch assembly with screws.

Description: Non-handed; complete with **security** lock; mortise installation; fits on **Columbia/Sternco** doors.

You may wish to stock these related parts: **121686** (Strike).

1297 (Clear anodized)

Latch and Pull

Contents: 1 **extruded aluminum** inside pull and outside pull; 1 two-piece **white plastic** latch assembly; installation screws.

Description: Non-handed; mortise installation; fits on **Trimview** screen doors.

You may wish to stock these related parts: **12124, 1207-M, 1109-B, 1112.**

122080 (Black)

Latch and Pull (Plastic)

Contents: 1 inside and outside pull with spring latch; 1 set of fasteners.

Description: Surface mount; automatic latching; fits on **H&D Industries** and many other manufacturers.

12952 (Black)

Latch and Pull (Plastic)

Contents: 1 inside and outside pull; installation screws.

Description: Non-handed; automatic latching feature; fits on **Rolleze** screen doors.

You may wish to stock these related parts: **142229, 142230.**

122075 (Black)

Latch and Pull

Contents: 1 **plastic** inside pull housing and **aluminum** flip latch combination; 1 **plastic** outside pull; installation screws.

Description: Non-handed; surface mount; no strike required; spring activated; fits on **Ador HiLite** screen doors.

You may wish to stock these related parts: **11641, 11640.**

Sliding Screen Door

1217

Latch and Pull (Clamp style)

Contents: 1 anodized inside pull; 1 extruded outside pull; installation screws.

Description: Non-handed; surface mount; spring activated latch; fits on *Fullview Doors*.

You may wish to stock these related parts: **1148, 1148-B, 1145-B.**

121799 (Black)

Latch and Pull

Contents: 1 plastic inside and outside pull; 1 steel latch assembly; 1 diecast strike; installation screws.

Description: Non-handed; mortise installation; fits on *Academy, Better-Bilt* and other door manufacturers.

You may wish to stock these related parts: **12209, 12305, 1207-M.**

121740 (Black)

Latch and Pull

Contents: 1 plastic inside and outside pull; 1 steel latch assembly; 1 plastic activator; 1 pop rivet; installation screws.

Description: Non-handed; mortise installation; used by several door manufacturers.

You may wish to stock these related parts: **121090, 11314, 11749.**

121803 (Black)

Latch and Pull

Contents: 1 plastic inside pull, and latch activator; 1 plastic outside pull; 1 steel latch; installation screws.

Description: Non-handed; mortise installation; sliding activator; fits on *Jim Walters* sliding roll-formed screen door.

You may wish to stock these related parts: **1109, 1109-B, 111893, 111136.**

121087 (Black)

Latch and Pull

Contents: 1 plastic inside pull and latch activator; 1 plastic outside pull; 1 steel latch assembly; 1 pop rivet; installation screws.

Description: Non-handed; mortise installation; sliding activator; fits on *Jim Walters* sliding roll-formed screen door.

You may wish to stock these related parts: **1109, 1109-B, 111893, 111136.**

121732 (Black)

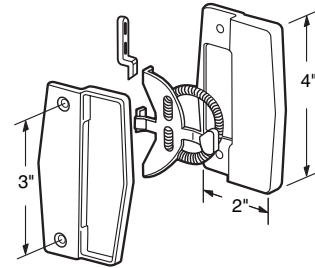
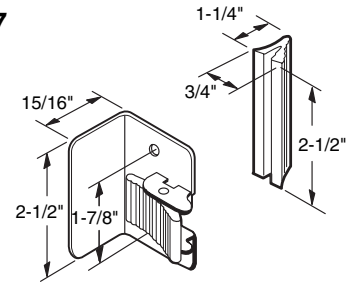
Latch and Pull

Contents: 1 plastic inside and outside pull; 1 steel latch; 1 plastic latch activator; 1 pop rivet; installation screws.

Description: Non-handed; used on roll-formed aluminum or steel screen doors; used by several patio door manufacturers.

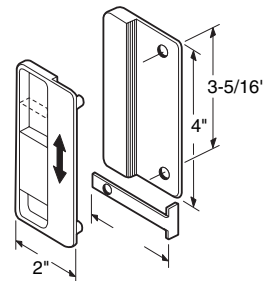
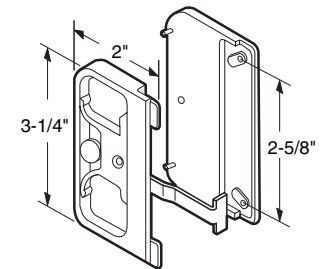
You may wish to stock these related parts: **121090; 11314; 11749.**

1217



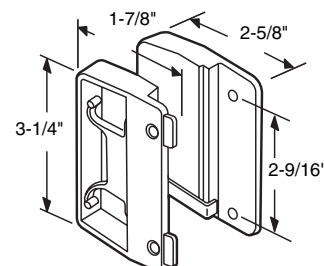
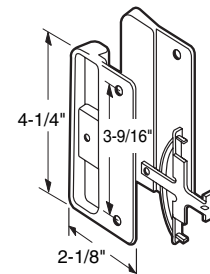
121799

121740



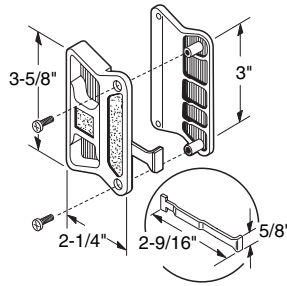
121803

121087



121732

121880



121880 (Black)

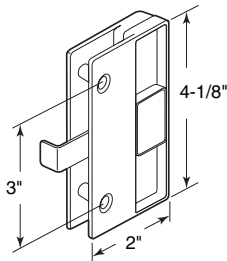
Latch and Pull

Contents: 1 plastic inside and outside pull; 1 steel latch; 1 plastic activator; installation screws.

Description: Non-handed; mortise installation; fits on *Superior Aluminum* doors.

You may wish to stock these related parts: **12321, 1109, 1109-B.**

122083



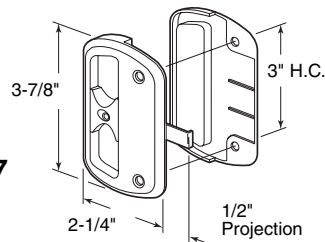
122083 (Black)

Latch and Pull

Contents: 1 plastic inside and outside pull; 1 steel latch assembly; 1 plastic activator; installation screws.

Description: Non-handed; mortise installation; new style fits on *Columbiamatic* doors.

121997



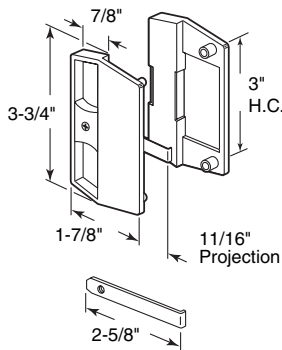
121997 (Black)

Latch and Pull

Contents: 1 plastic latch assembly with steel hook; installation screws.

Description: Non-handed; mortise installation; used on 1/2" extruded and roll form doors.

122086



122086 (Black)

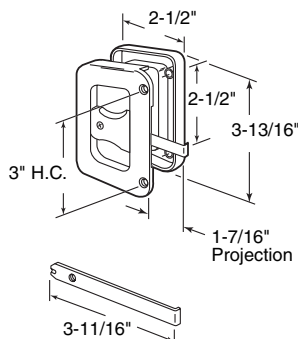
Latch and Pull

Contents: 1 plastic inside and outside pull; 1 steel latch assembly; 1 plastic activator.

Description: Non-handed; mortise installation; snap together design; fits on *Academy* Doors.

You may wish to stock these related parts: **1109, 1109-B, 111893, 111136.**

122088



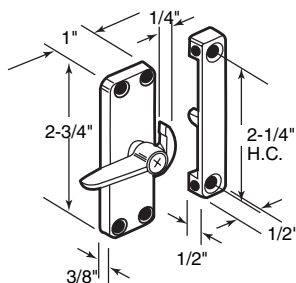
122088 (Black)

Latch and Pull

Contents: 1 plastic inside and outside pull; 1 plastic latch activator, 1 steel latch, installation screws.

Description: Non-handed, mortise style latch, fits on *Hat Section* doors.

1233-L
1233-R
122070



Right Hand Shown

1233-L (Chrome - left hand)

1233-R (Chrome - right hand)

122070 (Black - right hand)

Latch (Diecast)

Contents: 1 latch and strike; installation screws.

Description: Surface mount latch; side or face mount strike; can be used on single or double sliding doors; extremely versatile.

Sliding Screen Door

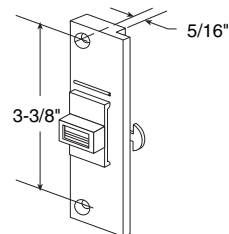
122082 (Black)

Latch

Contents: 1 plastic latch assembly with steel hook; installation screws.

Description: Non-handed; mortise installation; fits on *Peachtree-Citation II*.

122082

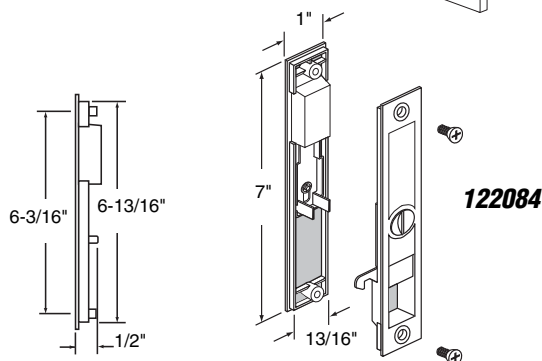


122084 (Black)

Latch and Pull

Contents: 1 plastic inside and outside pull; 1 plastic activator; 1 steel hook; installation screws.

Description: Flush latch assembly; fits on *Columbia* extruded and roll form doors.



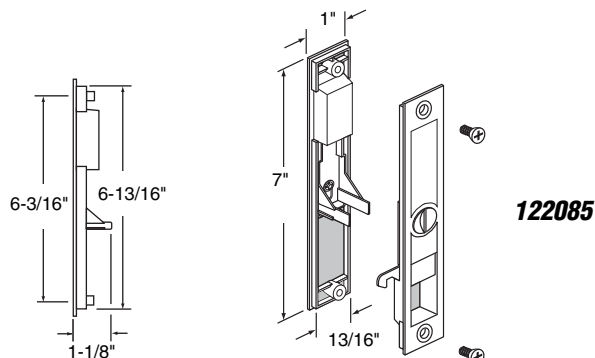
122084

122085 (Black)

Latch and Pull

Contents: 1 plastic inside and outside pull; 1 plastic activator; 1 steel hook and installation screws.

Description: Flush latch assembly; fits on *Columbia* 1" thick and hat section doors.



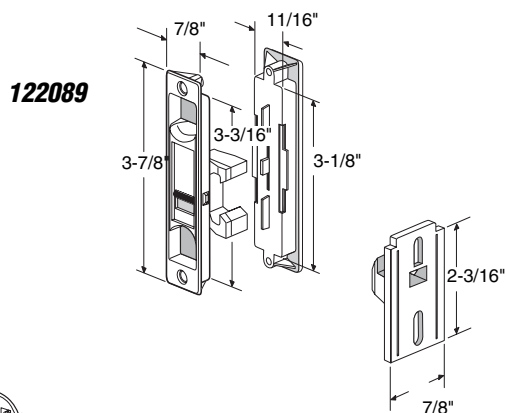
122085

122089 (Black)

Latch and Pull

Contents: 1 plastic inside and outside pull; 1 latch assembly; 1 strike and installation screws.

Description: Flush latch assembly fits on *Peachtree* doors.



122089

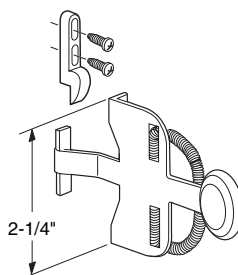
12305

Latch

Contents: 1 steel cadmium plated latch; 1 black plastic finger tab; 1 diecast strike; installation screws.

Description: Non-handed; mortise installation; spring activated latch.

You may wish to stock these related parts: **12209**, **12263**, **1207-M**, **121799**, **111825**, **11118**, **11556**.



12305

1270 (Aluminum latch)

1270-B (Black latch)

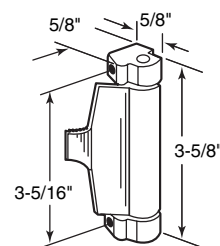
Latch

Contents: 1 inside latch.

Description: Non-handed; spring activated aluminum flip latch; black plastic housing; no strike required; vertically adjustable; fits on *AdorHiLite* screen doors.

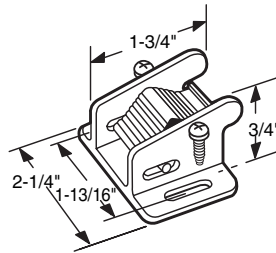
You may wish to stock these related parts: **1168**, **1169**.

1270



Latch

12148



12148

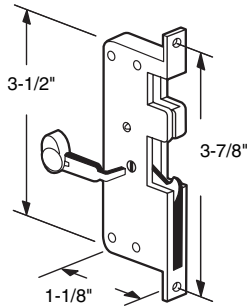
Latch

Contents: 1 diecast inside latch; installation screws.

Description: Non-handed; spring activated; no strike required; fits on *Premier* screen doors.

You may wish to stock these related parts: **1109, 1109-B, 1141, 122073.**

Call for Availability



12137

12137

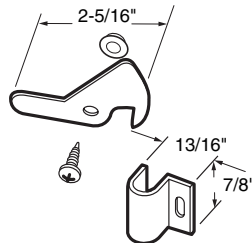
Latch

Contents: 1 plastic latch housing with steel hook; 1 latch lever; 1 strike; installation screws.

Description: Non-handed; mortise installation; used by several patio door manufacturers.

You may wish to stock these related parts: **12209, 12263, 122089.**

12204



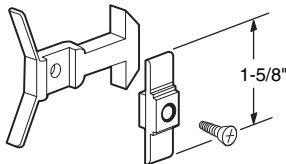
12204

Latch

Contents: 1 aluminum lever latch and strike; plastic bushing; installation screws.

Description: Non-handed; surface mount; used by several patio door manufacturers.

You may wish to stock these related parts: **121969, 121088.**



12124

12124 (White)

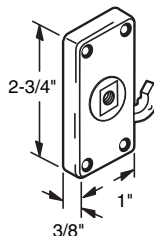
Latch (Plastic)

Contents: 1 latch and slide button; installation screws.

Description: Replacement latch for **1297** sliding screen door handle assembly.

You may wish to stock these related parts: **1297, 1207-M.**

12673



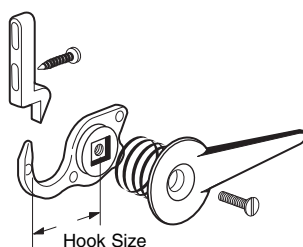
12673 (Natural zinc)

Latch

Contents: 1 diecast latch housing with hook.

Description: Internal mount latch; repair part for **122076.**

You may wish to stock these related parts: **1218, 1273.**



1293 - 3/4"
12303 - 5/8"

1293 (Medium hook - 3/4")

12303 (Short hook - 5/8")

Latch Kit

Contents: 1 latch lever; 1 spring; 1 hook; 1 strike; installation screws.

Description: Diecast assembly; non-handed; mortise installation; used by several patio door manufacturers.

You may wish to stock these related parts: **1218.**

Sliding Screen Door

12304 (Long hook - 15/16")

Latch Kit

Contents: 1 latch lever; 1 spring; 1 long hook; 1 strike; installation screws.

Description: Diecast assembly; non-handed; mortise installation; used by several patio door manufacturers.

You may wish to stock these related parts: **1218**.

1273 (No stop pin)

1273-S (With stop pin)

Latch Lever

Contents: 1 diecast latch lever; installation screw.

Description: Used to operate many styles of screen door latches.

You may wish to stock these related parts: **1218**, **1293**, **12303**, **12304**, **122076**.

122074 (Long hook - 15/16")

Replacement Hook for Latch Assembly

Contents: 1 hook.

Description: Diecast hook

You may wish to stock these related parts: **1218**, **1273**, **12154**, **1293**, **12304**.

12162 (Medium hook 3/4")

12163 (Short hook - 5/8")

Replacement Hook for Latch Assembly

Contents: 1 hook.

Description: Diecast hook

You may wish to stock these related parts: **1273**, **12154**, **12304**.

122071 (Chrome)

122090 (Black)

Pull

Contents: 1 diecast outside pull; installation screws.

Description: Used by many manufacturers; use with 1281 or can be used as individual outside pull.

You may wish to stock these related parts: **1281**.

1234

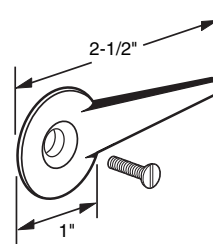
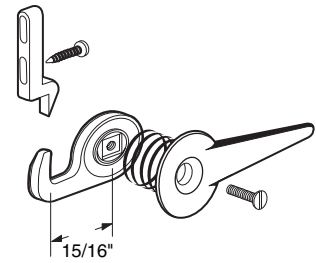
Pull (Anodized aluminum)

Contents: 1 inside and outside pull; installation screws.

Description: Non-handed; surface mount; no latch required; ideal for secondary pull; used by many manufacturers.

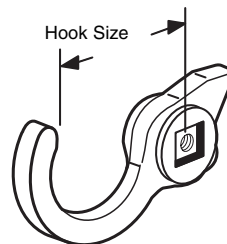
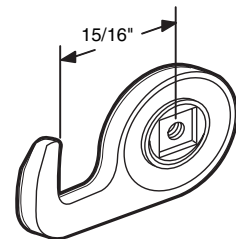
You may wish to stock these related parts: **1218**, **122072**, **122073**.

12304



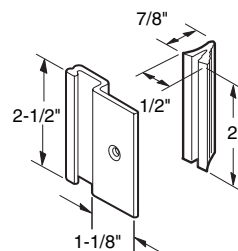
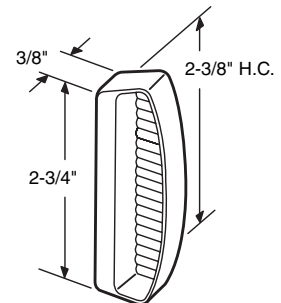
1273
1273-S

122074



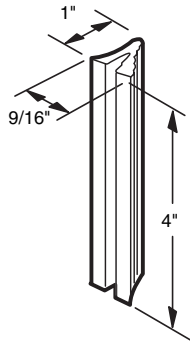
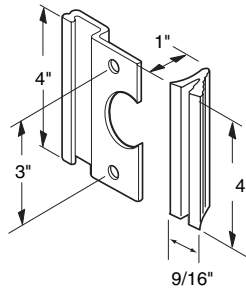
12162 - 3/4"
12163 - 5/8"

122071
122090



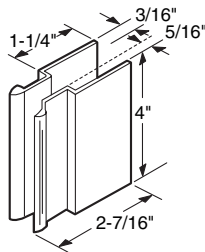
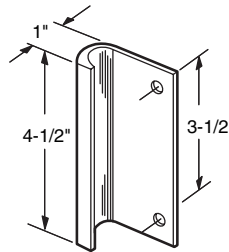
1234

1218



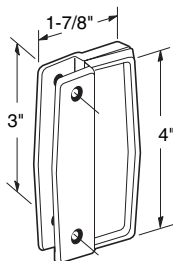
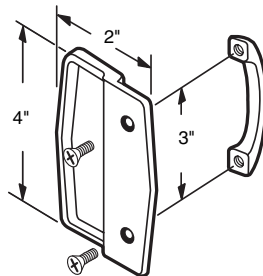
122073

12113



**121969
121088**

12263



A-111

1218

Pull (Anodized aluminum)

Contents: 1 inside and outside pull; installation screws.

Description: Non-handed; surface mount; designed to be used with latch assemblies 1293, 12303 and 12304.

You may wish to stock these related parts: **1273, 122073.**

122073

Pull (Anodized aluminum)

Contents: 1 outside pull; installation screws.

Description: Surface mount; used by many manufacturers.

You may wish to stock these related parts: **1204-R, 1204-L, 12262-R, 12262-L, 12148.**

12113

Pull (Anodized aluminum)

Contents: 1 pull; installation screws.

Description: Heavy duty unit to be used as inside or outside pull; surface mount; ideal secondary pull for children.

121969 (Not drilled)

121088 (3" hole centers)

Pull Set

Contents: 1 inside and outside pull; installation screws.

Description: 1 pull—3/16" deep; 1 pull—5/16" deep; used on doors 1/2" thick or more.

12263

Pull

Contents: 1 black plastic inside pull; chrome plated diecast outside pull; installation screws.

Description: Non-handed; surface mount.

You may wish to stock these related parts: **12305, 12137.**

12209 (Black)

Pull Set (Plastic)

Contents: 1 inside pull; 1 outside pull; installation screws.

Description: Non-handed; surface mount; economy pulls; plastic assembly.

Sliding Screen Door

122077

Pull Set (Clear anodized)

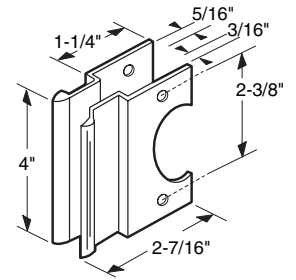
Contents: 1 inside & 1 outside handle; installation screws.

Description: Anodized extruded aluminum pull set; for doors 1/2" thick or more.

You may wish to stock these related parts: **1293, 12303, 12304.**

Call for
Availability

122077

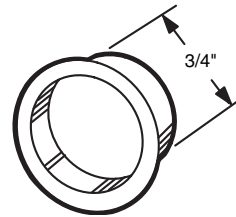


123120 (Nickel-plated)

Sliding Screen Door Finger Pull

Contents: 4 pulls.

Description: Plated, stamped steel construction.



123120

12321

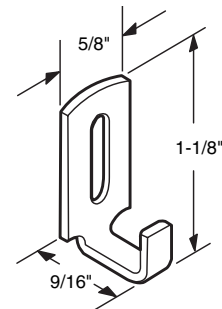
Latch Strike

Contents: 1 steel strike; installation screws.

Description: Used by many door manufacturers.

You may wish to stock these related parts: **121236.**

12321



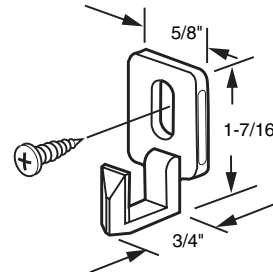
121751 (Heavy duty)

Latch Strike

Contents: 1 strike; installation screws.

Description: Diecast strike; used by many screen door manufacturers.

You may wish to stock these related parts: **12324, 12550.**



121751

12713

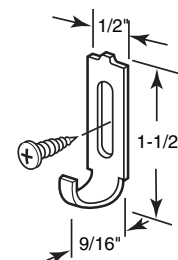
Latch Strike

Contents: 1 strike; installation screws.

Description: Stamped steel strike; fits on *Columbia* doors.

You may wish to stock these related parts: **12550, 11434, 11657, 11658, 111218.**

12713



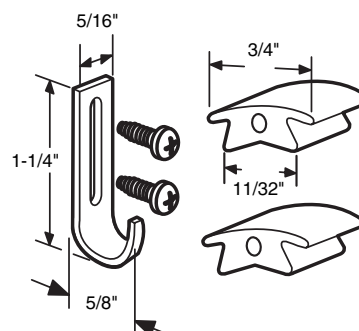
121506

Latch Strike

Contents: 1 steel strike, 2 black vinyl top guides, installation screws.

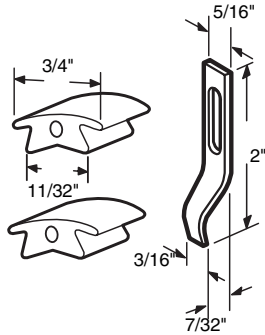
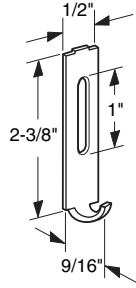
Description: Narrow bodied screen door keeper; stamped steel, zinc plated; fits on *Columbia*.

You may wish to stock these related parts: **12713, 121480.**



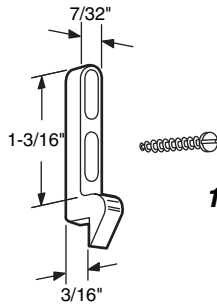
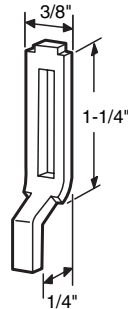
121506

122079

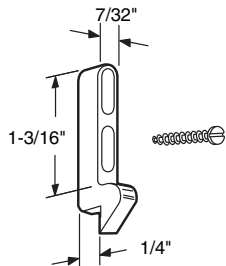


121480

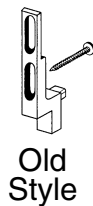
121090



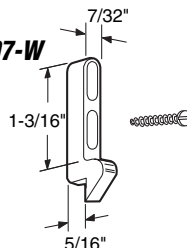
1207-N



1207-M



1207-W



122079 (Heavy duty)

Latch Strike

Contents: 1 strike; installation screws.

Description: Stamped steel, zinc plated strike; extended adjustment.

121480

Latch Strike

Contents: 1 steel strike; 2 black vinyl top guides; installation screws.

Description: Repair part for 121327, new style *Columbia* sliding screen door latch and pull.

You may wish to stock these related parts: **121327**.

121090

Latch Strike

Contents: 1 steel strike; installation screws.

Description: Adjustable; used by many patio door manufacturers.

You may wish to stock this related part: **121740, 121732, 12609**.

1207-N (Narrow)

Latch Strike

Contents: 1 diecast strike; installation screws.

Description: Adjustable; used by many patio door manufacturers.

1207-M (Medium)

Latch Strike

Contents: 1 diecast strike; installation screws.

Description: Adjustable; used by many patio door manufacturers.

1207-W (Wide)

Latch Strike

Contents: 1 diecast strike; installation screws.

Description: Adjustable; used by many patio door manufacturers.

Sliding Screen Door

121996 (Heavy duty)

Latch Strike

Contents: 2 diecast strikes; installation screws.

Description: Extra large hook-end strike; used by many patio door manufacturers.

You may wish to stock these related parts: **122072**, **121732**, **121087**.

122016 (Aluminum)

122016-B (Bronze)

121091 (Latch only)

Latch and Strike

Contents: 1 plastic latch; 1 aluminum strike; installation screws.

Description: Non-handed; mortise installation; replaces old aluminum latch; used by *International* doors.

You may wish to stock these related parts: **11123**.

122081 (White)

Latch Strike (Plastic)

Call for
Availability

Contents: 1 latch strike; installation screws.

Description: Adjustable; used by many patio door manufacturers.

121686 (White)

Latch Strike (Plastic)

Contents: 1 latch strike; installation screws.

Description: Adjustable; **adhesive backing** for proper placement prior to drilling jamb for screws; repair part for 121685.

You may wish to stock these related parts: **121685**.

121236

Door Latch Kit

Contents: 1 diecast latch; 1 diecast strike; 1 attachment screw and spring; 1 washer; 1 binder post nut; installation screws.

Description: Non-handed; surface mount kit includes: additional washer and binder post nut, to be used if original threaded nut in door stile has become worn; package insert illustrates how to drill out old nut and re-attach new replacement handle.

You may wish to stock these related parts: **141866**.

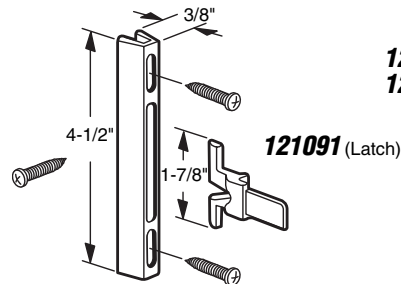
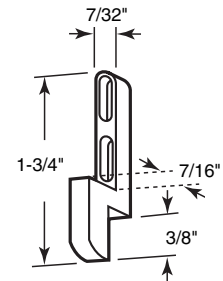
12801 (Black)

Screen Shield (Plastic)

Contents: 1 inside and outside panel.

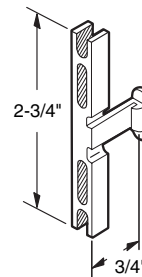
Description: Protects area around screen door handle; easy, snap together installation; **no tools required**; works well with most sliding screen door handle assemblies.

121996

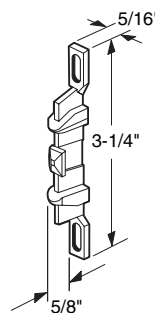


122016
122016-B

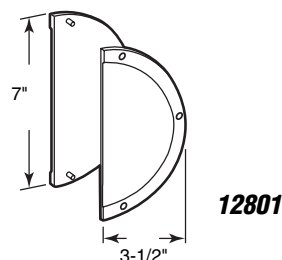
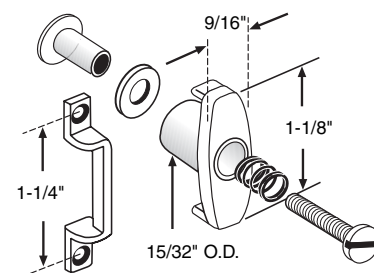
122081



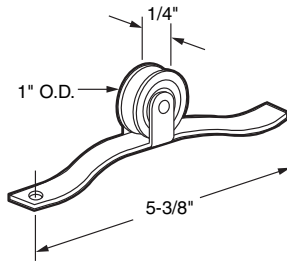
121686



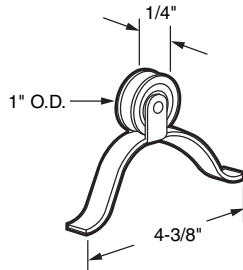
121236



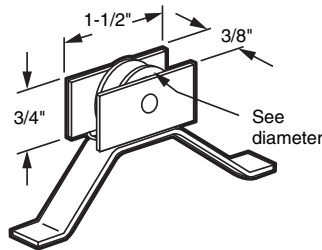
112095
1143



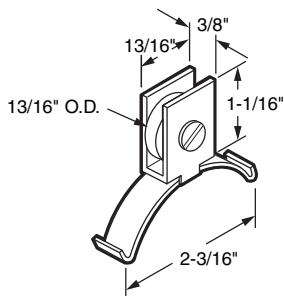
1144
1144-B



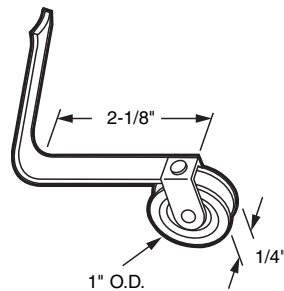
11475
112194



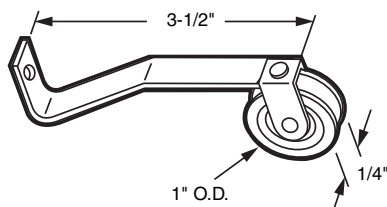
111970



1140
1140-B



112094
1192



112095 (Nylon)

1143 (Steel ball bearing)

Spring Tension Roller

Contents: 2 roller assemblies; installation screws.

Description: Wheel with center groove; heat treated, high tension steel spring.

1144 (Nylon)

1144-B (Steel ball bearing)

Spring Tension Roller

Contents: 2 roller assemblies.

Description: Wheel with center groove; heat treated, high tension steel spring.

11475 (Nylon - 7/8")

112194 (Steel ball bearing - 1")

Spring Tension Roller

Contents: 2 roller assemblies.

Description: Wheel with center groove; aluminum housing; heat-treated, high tension steel spring; can be fits as a top or bottom roller; fits on *Keller* doors.

You may wish to stock these related parts: **12138**.

111970

Spring Tension Roller

Contents: 2 roller assemblies.

Description: 13/16" flat nylon wheel, nylon housing; high tension steel spring; aluminum axle; can be fits as a top or bottom roller on *Croft* doors.

1140 (Nylon)

1140-B (Steel ball bearing)

Spring Tension Roller

Contents: 2 roller assemblies.

Description: Wheel with center groove; heat treated, high tension steel spring.

You may wish to stock these related parts: **1141**.

112094 (Nylon)

1192 (Steel ball bearing)

Spring Tension Roller

Contents: 2 roller assemblies; installation screws.

Description: Wheel with center groove; heat treated, high tension steel spring.

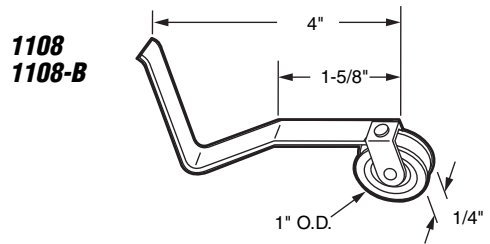
Sliding Screen Door

1108 (Nylon)
1108-B (Steel ball bearing)

Spring Tension Roller

Contents: 2 roller assemblies.

Description: Wheel with center groove; heat treated, high tension steel spring.

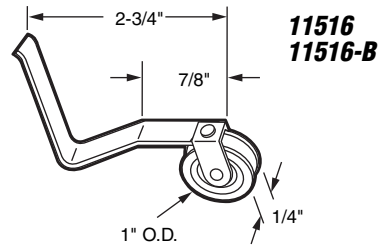


11516 (Nylon)
11516-B (Steel ball bearing)

Spring Tension Roller

Contents: 2 roller assemblies.

Description: Wheel with center groove; heat treated, high tension steel spring.

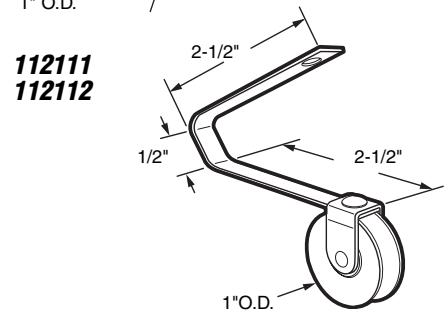


112111 (Nylon)
112112 (Steel ball bearing)

Spring Tension Roller

Contents: 2 roller assemblies.

Description: Wheel with center groove; heat treated, high tension steel spring.



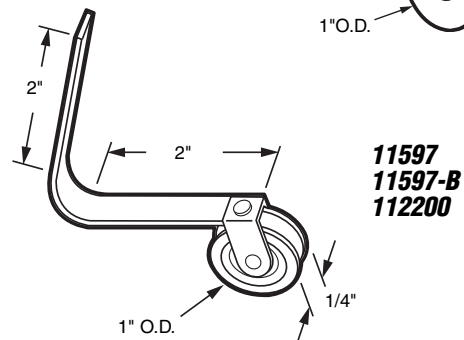
11597 (Nylon)
11597-B (Steel ball bearing)
112200 (Nylon ball bearing)

Spring Tension Roller

Contents: 2 roller assemblies.

Description: Wheel with center groove; heat treated, high tension steel spring; used by several patio door manufacturers.

You may wish to stock these related parts: **11649**.



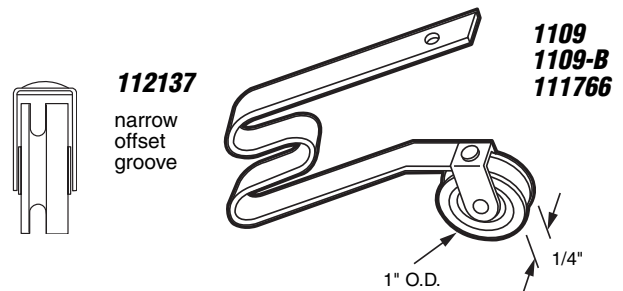
1109 (Nylon)
1109-B (Steel ball bearing)
112137 (Nylon - offset groove; 1 left & 1 right)
111766 (Nylon ball bearing)

Spring Tension Roller

Contents: 2 roller assemblies.

Description: Adjustable, wheel with center groove; heat treated, high tension steel spring; used by several patio door manufacturers.

You may wish to stock these related parts: **12324, 12321, 11649**.

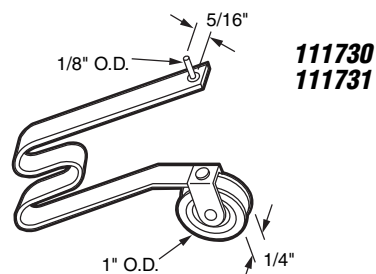


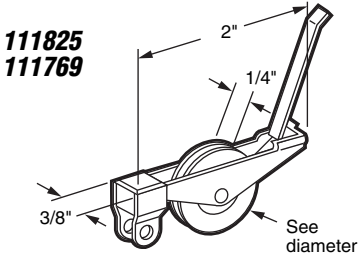
111730 (Nylon)
111731 (Steel ball bearing)

Spring Tension Roller

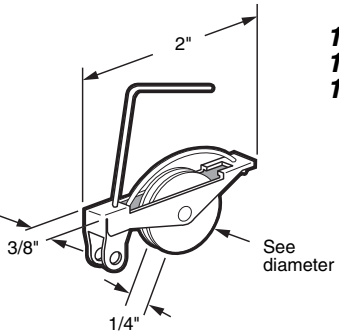
Contents: 2 roller assemblies.

Description: Adjustable, wheel with center groove; heat treated, high tension steel spring; 1/8" locator pin holds roller in fixed position; used by several patio door manufacturers.

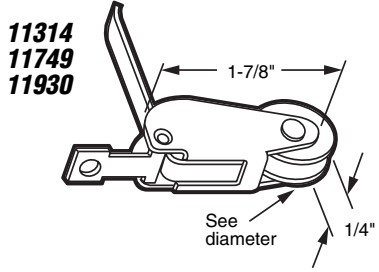




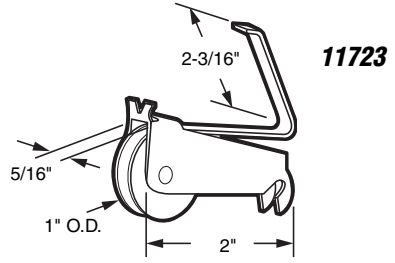
111825
111769



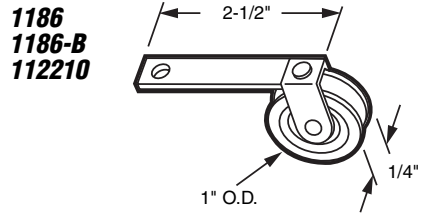
11118
11101
11101-B



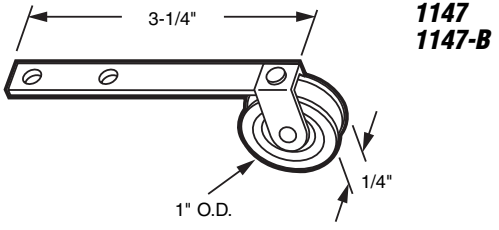
11314
11749
11930



11723



1186
1186-B
112210



1147
1147-B

111825 (1" nylon)
111769 (1-1/4" nylon)

Spring Tension Roller

Contents: 2 roller assemblies.

Description: Wheel with center groove; **steel housing**; heat treated, high tension **steel spring**; used as top and bottom roller.

11118 (1-1/4" nylon)
11101 (1" nylon)
11101-B (1" steel ball bearing)

Spring Tension Roller

Contents: 2 roller assemblies.

Description: Wheel with center groove; **steel housing**; heat-treated, high tension **steel spring**; used as a top and bottom roller.

You may wish to stock these related parts: **12209, 12305, 12137, 121799, 111825, 11556, 111769.**

11314 (1" nylon)
11749 (1" steel ball bearing)
11930 (1-1/4" nylon)

Spring Tension Roller

Contents: 2 roller assemblies; self-tapping installation screws.

Description: Wheel with center groove; **steel housing**; heat-treated, high tension **steel spring**; used as a top and bottom roller.

11723

Spring Tension Roller

Contents: 2 roller assemblies.

Description: **Nylon wheel** with center groove, **steel housing**, high tension **steel spring**.

Call for Availability

1186 (Nylon)
1186-B (Steel ball bearing)
112210 (Nylon ball bearing)

Spring Tension Roller

Contents: 2 roller assemblies; installation screws.

Description: Wheel with center groove; heat treated, high tension **steel spring**.

1147 (Nylon)
1147-B (Steel ball bearing)

Spring Tension Roller

Contents: 2 roller assemblies; installation screws.

Description: Wheel with center groove; heat treated, high tension **steel spring**.

You may wish to stock these related parts: **1234, 1146-B.**

Sliding Screen Door

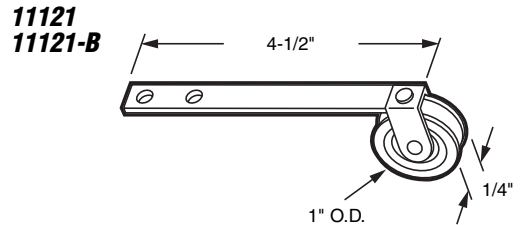
11121 (Nylon)
11121-B (Steel ball bearing)

Spring Tension Roller

Contents: 2 roller assemblies; installation screws.

Description: Wheel with center groove; heat treated, high tension steel spring.

You may wish to stock these related parts: **1234, 1146-B.**



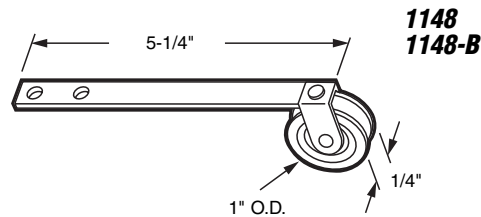
1148 (Nylon)
1148-B (Steel ball bearing)

Spring Tension Roller

Contents: 2 roller assemblies; installation screws.

Description: Wheel with center groove; heat treated, high tension steel spring.

You may wish to stock these related parts: **1217, 1145-B.**



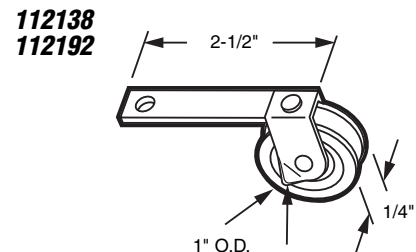
112138 (Nylon)
112192 (Steel ball bearing)

Spring Tension Roller

Contents: 2 roller assemblies; installation screws.

Description: Wheel with center groove; heat treated, high tension steel spring; with **angle stops**; used by many door manufacturers.

You may wish to stock these related parts: **1217, 1145-B.**



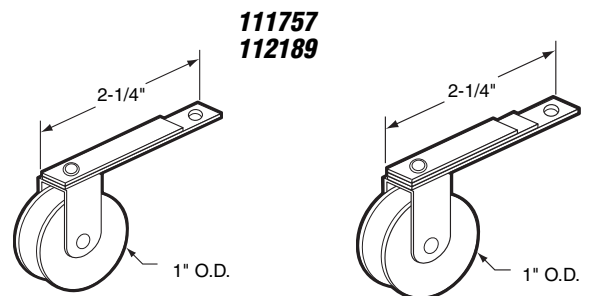
111757 (Double spring)
112189 (Triple spring)

Call for
Availability

Spring Tension Roller

Contents: 2 roller assemblies; installation screws.

Description: Nylon wheel with center groove; heat treated, high tension steel spring; uses two or three springs to increase tension; fits on doors by *Academy Mfg. Co.*



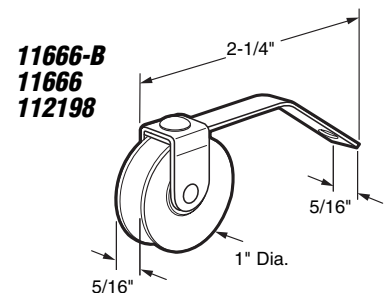
11666 (Nylon)
11666-B (Steel ball bearing)
112198 (Nylon ball bearing)

Spring Tension Roller

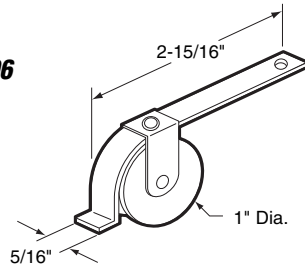
Contents: 2 roller assemblies; installation screws.

Description: Wheel with center groove; heat treated, flat, high tension steel spring; bent spring design; fits on doors by *Academy Mfg. Co.*

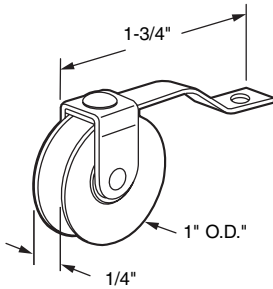
You may wish to stock these related parts: **1217, 1145-B.**



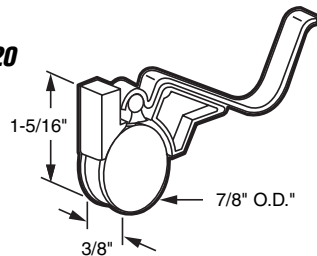
112196



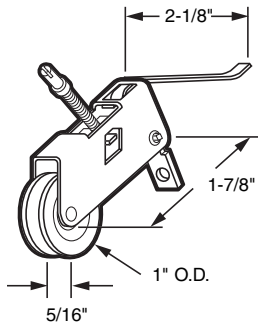
11960
11960-B
112199



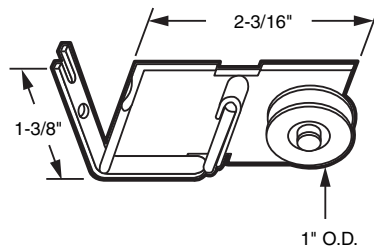
11120



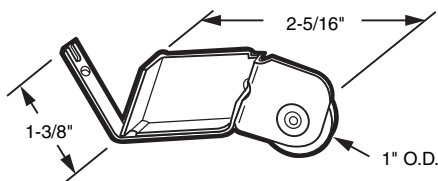
11122



112209
112201



11123
112060



112196

Spring Tension Roller

Contents: 2 roller assemblies.

Description: Nylon wheel with center groove; heat treated, high tension steel spring; fits on doors by *Academy Mfg. Co.*

You may wish to stock these related parts: **121740**, **12609**.

11960 (Nylon)

11960-B (Steel ball bearing)

112199 (Nylon ball bearing)

Spring Tension Roller

Contents: 2 roller assemblies; installation screws.

Description: Wheel with center groove; heat treated, high tension steel spring; fits on doors by *Metal Industries.*

You may wish to stock these related parts: **121740**, **12609**

11120

Spring Tension Roller

Contents: 2 roller assemblies.

Description: Nylon wheel and housing with open groove; heat treated, high tension steel spring.

You may wish to stock these related parts: **11130**.

11122

Spring Tension Roller

Contents: 2 roller assemblies.

Description: Adjustable, nylon wheel with center groove; steel housing; heat treated, high tension steel spring.

112209 (Nylon)

112201 (Steel ball bearing)

Spring Tension Roller

Contents: 2 roller assemblies; installation screws.

Description: Extruded aluminum housing, with steel spring; adjustable wheel with center groove. Fits on *International* series No. 900, 925, 950 doors.

You may wish to stock these related parts: **122016**, **11123**.

11123 (Nylon)

112060 (Steel ball bearing)

Spring Tension Roller

Contents: 2 roller assemblies; installation screws.

Description: Stamped aluminum housing, with steel spring; adjustable wheel with center groove. Fits on *International* series no. 900, 925, 950 doors.

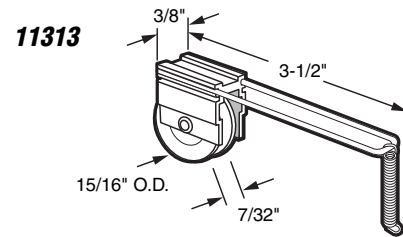
You may wish to stock these related parts: **122016**, **112209**

11313

Spring Tension Roller

Contents: 2 roller assemblies.

Description: Nylon wheel with center groove; zinc diecast housing, heat treated steel wire loop; with extension spring.



1175

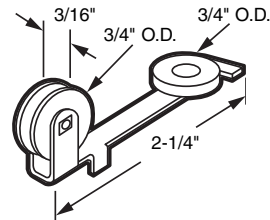
Spring Tension Roller

Contents: 2 roller assemblies.

Description: Nylon wheel with center groove; nylon guide roller; heat treated, high tension steel flat spring; fits as a top roller on *Arcadia* extruded aluminum doors.

You may wish to stock these related parts: **1176**.

1175



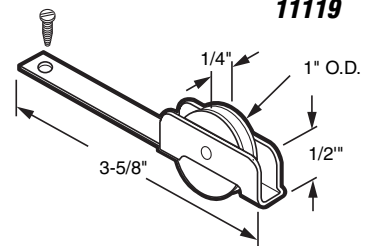
11119

Spring Tension Roller

Contents: 2 roller assemblies; installation screws.

Description: Nylon wheel with center groove; heat treated, high tension steel spring; one piece spring and housing.

11119



111437 (Nylon)

112206 (Steel ball bearing)

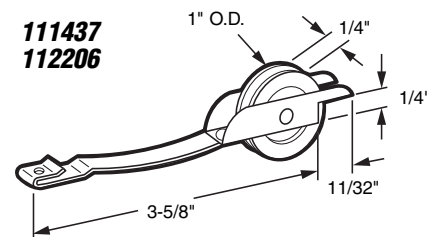
Spring Tension Roller

Contents: 2 roller assemblies.

Description: Center grooved wheel with steel housing; high tension steel spring; fits on *Columbia Uni-fit* doors.

You may wish to stock these related parts: **12550, 12713, 121327**.

111437
112206



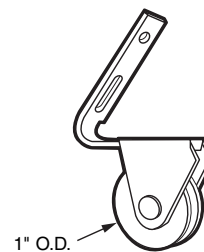
111085

Spring Tension Roller

Contents: 2 roller assemblies; installation screws.

Description: Nylon wheel with center groove with steel housing; heat treated, high tension steel spring; fits on doors by *Arcadia*.

111085



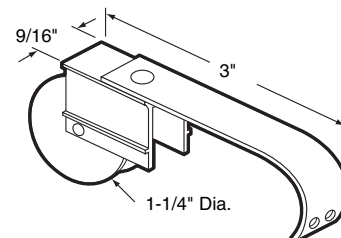
112144

Roller Assembly

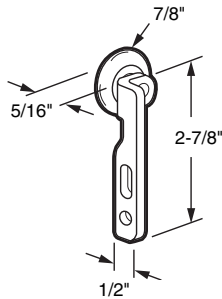
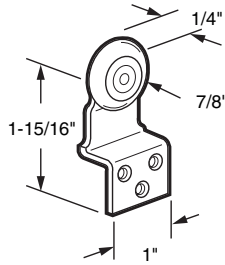
Contents: 2 roller assemblies.

Description: Nylon wheel with aluminum housing; heat treated, high tension steel spring; fits on "old style" *Peachtree* doors.

112144

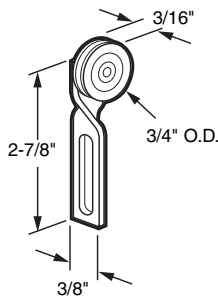
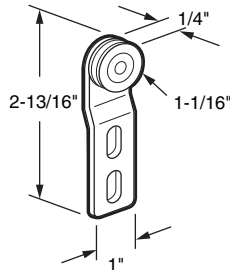


11201



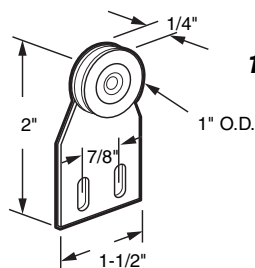
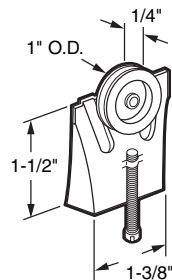
11203

1141



1146-B

**1114
1114-B**



1145-B

11201

Roller Assembly

Contents: 2 roller assemblies; installation screws.

Description: Top hung; steel bracket with oval edge nylon wheel; fits on *Arcadia* & *Saurenman* old style steel and aluminum doors.

11203

Roller Assembly

Contents: 1 left and 1 right hand assembly; installation screws.

Description: Top hung; steel bracket with oval edge nylon ball bearing wheel; used on old style wood sliding screen doors.

You may wish to stock these related parts: **11604, 16704.**

1141

Roller Assembly

Contents: 2 roller assemblies; installation screws.

Description: Top hung; steel bracket with center groove steel ball bearing wheel; fits on *Premier* doors.

You may wish to stock these related parts: **122073, 12148, 1140-B.**

1146-B

Roller Assembly

Contents: 2 roller assemblies; installation screws.

Description: Top hung; steel bracket with center groove steel ball bearing wheel; fits on *Hollyview* doors.

You may wish to stock these related parts: **1234, 11121-B.**

1114 (Nylon)

1114-B (Steel ball bearing)

Roller Assembly

Contents: 2 roller assemblies.

Description: Top hung; adjustable; steel bracket with center groove wheel; fits on *Ador* doors.

1145-B

Roller Assembly

Contents: 2 roller assemblies; installation screws.

Description: Top hung; aluminum bracket, steel ball bearing wheel with center groove; fits on *Fullview* doors.

You may wish to stock this related part: **1148-B.**

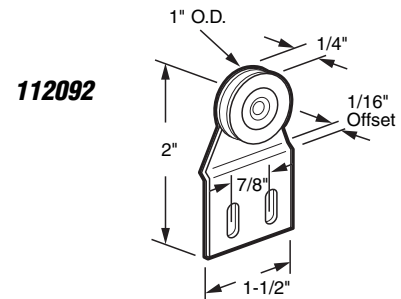
Call for
Availability

112092

Roller Assembly

Contents: 2 roller assemblies; installation screws.

Description: Top hung; 1/16" offset aluminum bracket, steel ball bearing wheel with center groove.

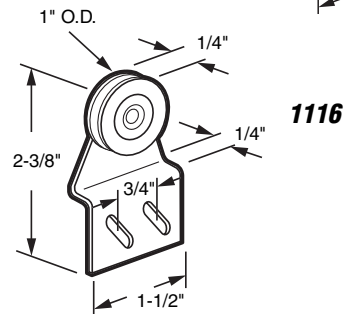


1116

Roller Assembly

Contents: 2 roller assemblies; installation screws.

Description: Top hung; 1/4" offset steel bracket, steel ball bearing wheel with wide center groove; fits on Ador "Z" doors.

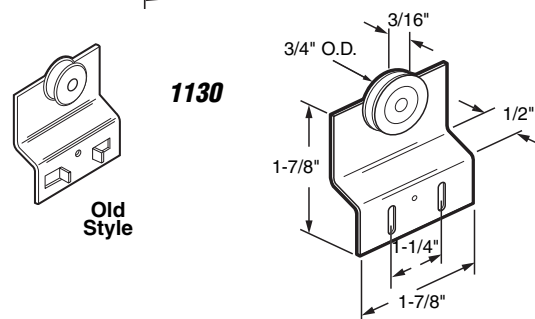


1130 (Steel ball bearing)

Roller Assembly

Contents: 2 roller assemblies; installation screws.

Description: Top hung; aluminum bracket, wheel with center groove; new style without tabs on bracket will replace old style; fits on Cupples doors.



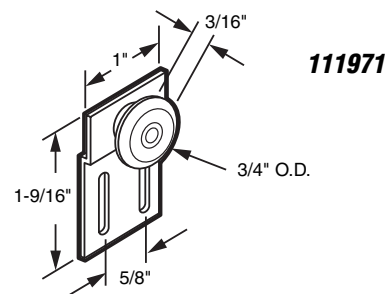
111971

Roller Assembly

Contents: 2 roller assemblies; installation screws.

Description: Aluminum bracket, oval edge nylon wheel 3/16" wide; top mount; fits on Croft old style doors.

You may wish to stock these related parts: **112134**.

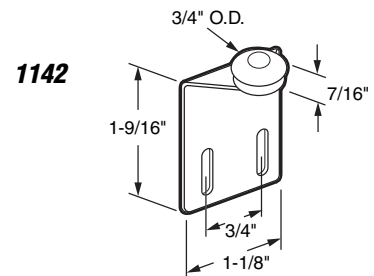


1142

Roller Assembly

Contents: 2 roller assemblies; installation screws.

Description: Top hung; steel bracket with cone-shaped nylon wheel; fits on HiLite old style doors.



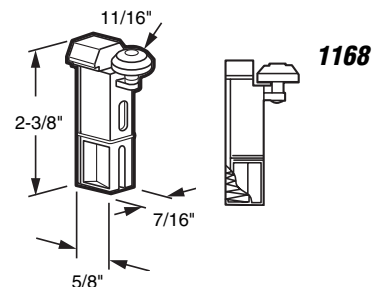
1168

Roller Assembly

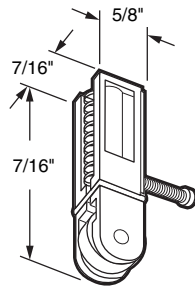
Contents: 2 roller assemblies; installation screws.

Description: Top hung; nylon housing with oval edge nylon ball bearing wheel; built-in guide; fits on HiLite doors.

You may wish to stock these related parts: **1270, 1169**.



1169



1169

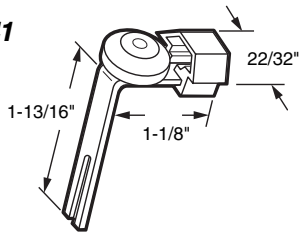
Roller Assembly

Contents: 2 roller assemblies; installation screws.

Description: Bottom mount; nylon bracket with flat edge, nylon wheel; fits on *HiLite* doors.

You may wish to stock these related parts: **1270, 1168.**

11641



11641

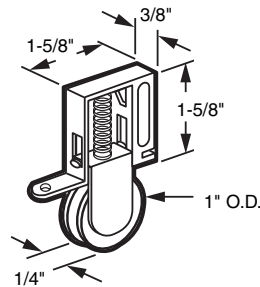
Roller Assembly

Contents: 2 roller assemblies; installation screws.

Description: Top hung; steel bracket with oval edge nylon ball bearing wheel; with nylon guide; fits on *Ador/HiLite* doors.

You may wish to stock these related parts: **11640.**

**111919
11433**



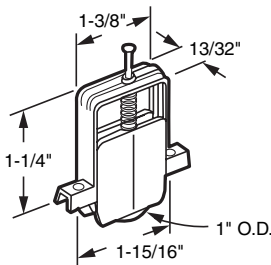
111919 (Nylon)

11433 (Steel ball bearing)

Roller Assembly

Contents: 2 roller assemblies; installation screws.

Description: Nylon housing and yoke; wheel with center groove; spring activated; fits as top and bottom roller on *Academy Uni-fit* doors.



112140

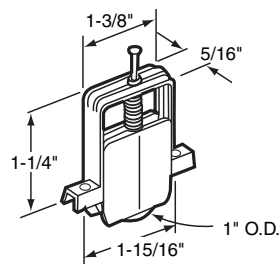
112140 (Nylon ball bearing)

Roller Assembly

Contents: 2 roller assemblies; installation screws.

Description: Nylon ball bearing wheel and housing with adjustable nylon yoke.

**111684
112423**



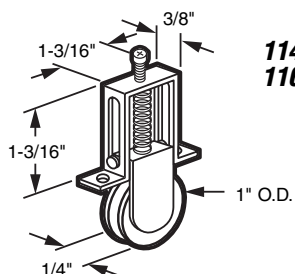
111684 (Nylon)

112423 (Steel ball bearing)

Roller Assembly (Thin version)

Contents: 2 roller assemblies; installation screws.

Description: Wheel with center groove; has thinner nylon housing than 112140; fits on doors by *Columbia*.



**11434
11658**

11434 (Nylon)

11658 (Steel ball bearing)

Roller Assembly

Contents: 2 roller assemblies; installation screws.

Description: Aluminum frame with nylon inner housing; adjustable; center grooved wheel; fits as top and bottom roller on *Columbia* doors.

You may wish to stock these related parts: **12550, 12321, 12713, 11657, 111218.**

11657 (Nylon)

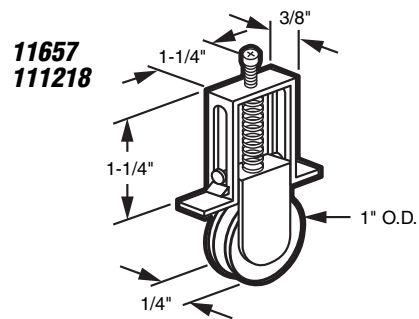
111218 (Steel ball bearing)

Roller Assembly

Contents: 2 roller assemblies.

Description: Nylon main frame assembly; adjustable; nylon inner housing with center grooved wheel; fits as top and bottom roller on *Columbia* doors.

You may wish to stock these related parts: **12550, 12713, 11434, 11658.**

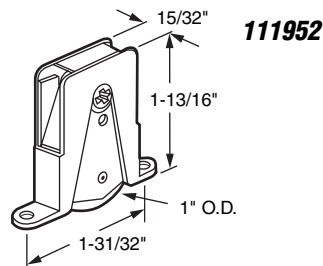


111952

Roller Assembly

Contents: 2 roller assemblies; installation screws.

Description: Nylon outer housing, aluminum inner housing with center grooved nylon wheel with adjustment cam.



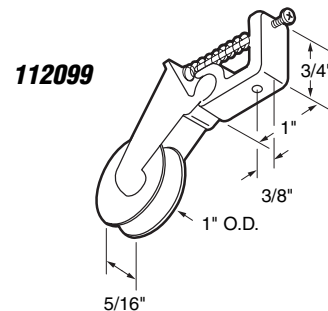
112099

Roller Assembly

Contents: 1 roller assembly.

Description: Extruded aluminum housing with adjustment screw; nylon yoke; nylon wheel with center groove.

You may wish to stock this related part: **122081.**



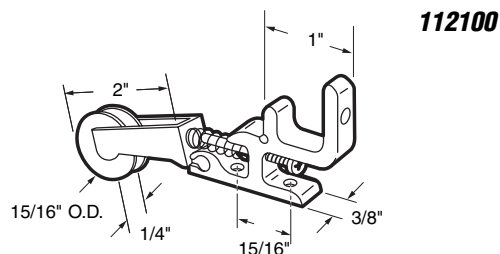
112100

Roller Assembly

Contents: 2 roller assemblies.

Description: Extruded aluminum bracket with nylon wheel and housing, center groove wheel, spring activated.

Call for Availability

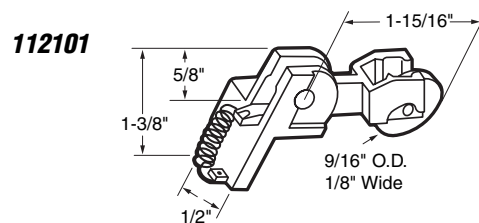


112101

Roller Assembly

Contents: 2 roller assemblies; 1 left and 1 right.

Description: Nylon housing with nylon wheel; spring activated.

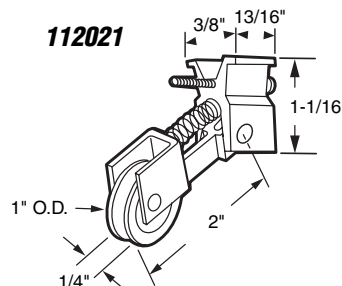


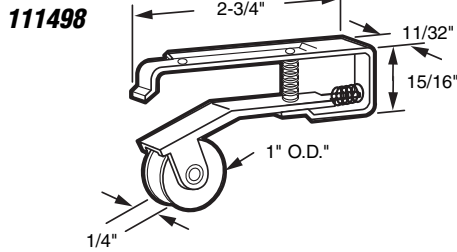
112021

Roller Assembly

Contents: 2 roller assemblies.

Description: Extruded aluminum housing, nylon wheel with narrow center groove; with adjusting screw; fits on doors by *Miller Door.*





111498

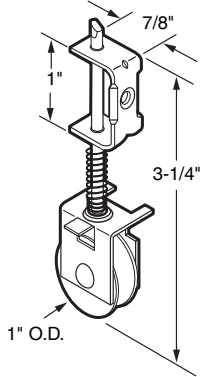
111498

Roller Assembly

Contents: 2 roller assemblies; installation screws.

Description: Aluminum housing with stainless steel spring; 1" nylon wheel with center groove; built-in screw adjustment feature; used by many door manufacturers.

You may wish to stock these related parts: **111770**.



111591

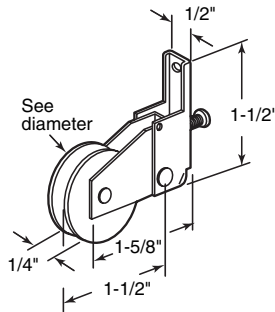
111591

Roller Assembly

Contents: 2 roller assemblies.

Description: Steel housing with nylon wheel; spring activated; fits on doors by *Crossly*.

112022
112193



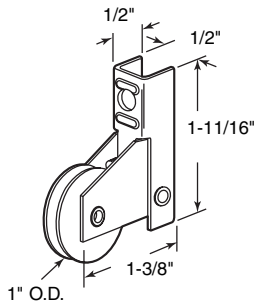
112022 (1" nylon ball bearing)

112193 (7/8" steel ball bearing)

Roller Assembly

Contents: 2 roller assemblies.

Description: Adjustable, steel housing; ball bearing wheel with center groove; spring activated; fits on doors by *Pacesetter*.



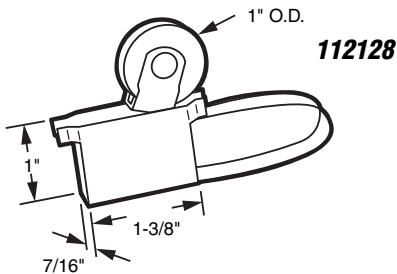
112127

112127

Roller Assembly

Contents: 2 roller assemblies.

Description: Steel housing with nylon wheel; spring activated; fits on doors by *Peachtree*.



112128

112128

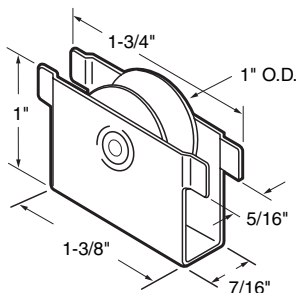
Roller Assembly

Contents: 2 roller assemblies.

Description: Steel roller housing, nylon ball bearing wheel with center groove; heat treated, high tension steel spring; fits as a top roller on *Better-Bilt* doors.

You may wish to stock these related parts: **112096**, **11668**.

112096
11668



112096 (Nylon)

11668 (Steel ball bearing)

Roller Assembly

Contents: 2 roller assemblies.

Description: Steel housing; wheel with center groove; bottom roller on *Empire and Better-Bilt* adjustable sliding screen doors.

You may wish to stock these related parts: **121799**, **112128**.

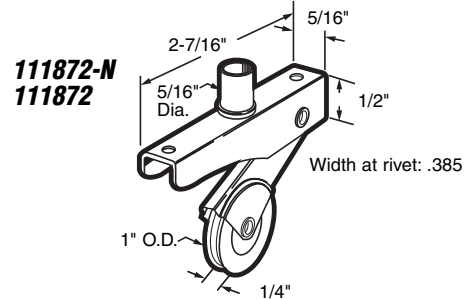
Sliding Screen Door

111872-N (Nylon)
111872 (Steel)

Roller Assembly

Contents: 2 roller assemblies.

Description: Spring loaded, **steel housing** with top adjusting screw; fits on doors by **Bay-Mills** and other door manufacturers.



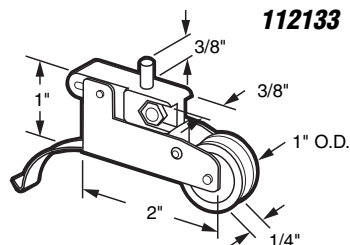
112133

Roller Assembly

Contents: 2 roller assemblies.

Description: Galvanized steel housing, nylon roller, nylon swivel mounting bracket, high tension steel spring fits on doors by **Ador/HiLite**.

Call for Availability



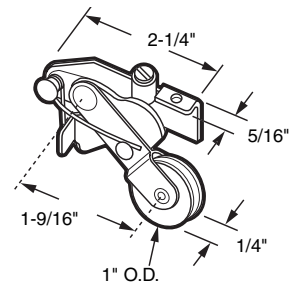
111879 (Nylon)
112195 (Steel ball bearing)

Roller Assembly

Contents: 1 roller assembly; installation screws.

Description: Adjustable, aluminum housing; wheel with center groove; spring activated; adjustment screw and aluminum sleeve.

111879
112195



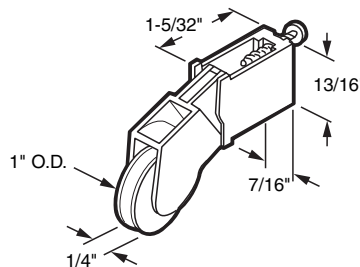
111370 (Nylon ball bearing)
112197 (Steel ball bearing)

Roller Assembly

Contents: 2 roller assemblies; installation screws.

Description: Adjustable, nylon housing; wheel with center groove; fits on doors by **Peachtree**.

You may wish to stock these related parts: **112142**.



111370
112197

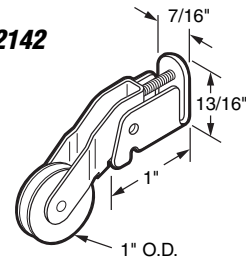
112142

Roller Assembly

Contents: 2 roller assemblies; installation screws.

Description: Adjustable steel housing; steel ball bearing wheel fits on doors by **Peachtree**.

112142



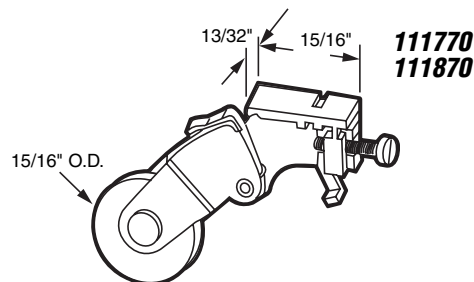
111770 (Nylon)
111870 (Steel ball bearing)

Roller Assembly

Contents: 2 roller assemblies.

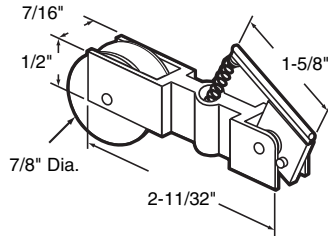
Description: Nylon housing; center grooved wheel; with adjustable aluminum yoke; fits on doors by **Metal Industries**.

You may wish to stock these related parts: **111498**.

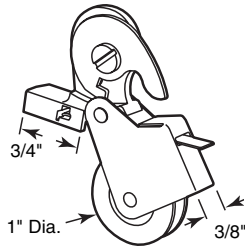


111770
111870

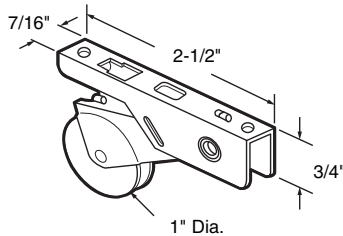
112204



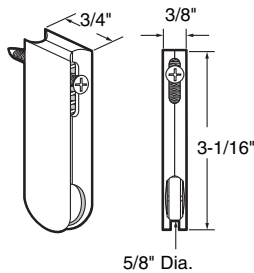
112190



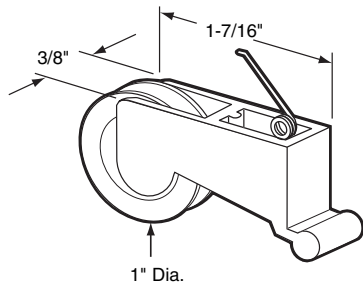
112191



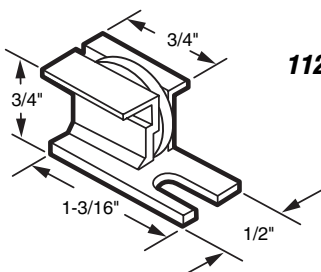
112040



112203



112102



112204

Roller Assembly

Contents: 2 roller assemblies.

Description: Nylon housing; with center grooved nylon wheel; fits on *Ozark and Chrysler* windows.

112190

Roller Assembly

Contents: 2 roller assemblies; 1 left and 1 right.

Description: Steel ball bearing wheel; adjustable diecast mounting bracket with stamped steel housing.

112191 (Stainless steel ball bearing)

Roller Assembly

Contents: 2 roller assemblies.

Description: Stainless steel housing; with stainless steel center grooved wheel; spring activated; adjusting screw; fits on doors by *Metal Industries*.

112040

Roller Assembly

Contents: 2 roller assemblies; installation screws.

Description: Nylon housing and flat nylon wheel; with steel spring; fits on *Weathershield* doors.

112203 (Nylon)

Roller Assembly

Contents: 2 roller assemblies.

Description: Nylon housing with center grooved wheel; spring activated.

112102

Roller Assembly

Contents: 2 roller assemblies; 1 left and 1 right.

Description: Nylon housing with 1/8" thick, 3/4" diameter flat nylon wheel; fits on *Howard* doors.

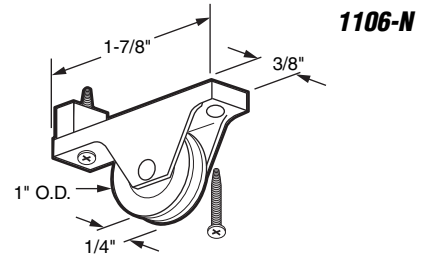
Call for Availability

1106-N

Roller Assembly

Contents: 2 roller assemblies; installation screws.

Description: Adjustable; nylon housing with center groove, steel ball bearing wheel; bottom mount.



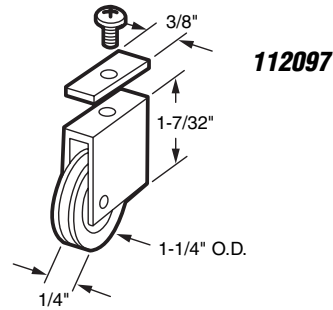
112097

Roller Assembly

Contents: 2 roller assemblies; installation screws.

Description: Extruded aluminum housing with top support plate; nylon wheel with narrow center groove; fits on *Daryl PM* doors.

Call for
Availability



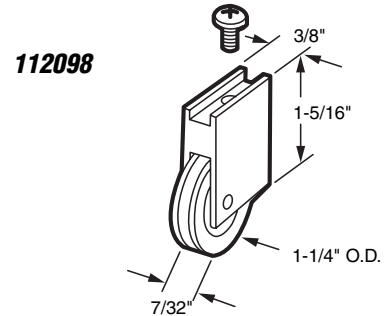
112098

Roller Assembly

Contents: 2 roller assemblies; installation screws.

Description: Extruded aluminum housing, nylon wheel with narrow center groove; designed for *Daryl PM* doors.

Call for
Availability

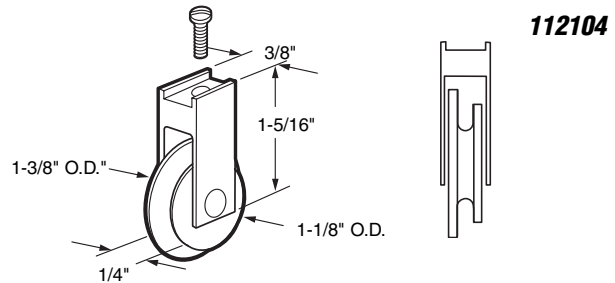


112104

Roller Assembly

Contents: 2 roller assemblies; installation screws.

Description: Extruded aluminum housing with nylon wheel; narrow center groove with one side of the wheel a larger diameter than the other.



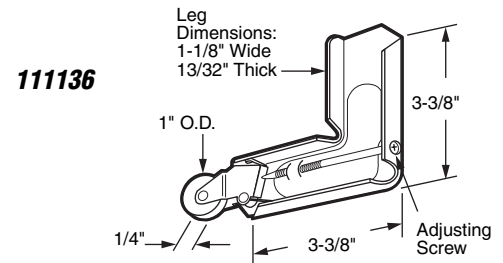
111136

Roller Assembly

Contents: 2 roller and corner assemblies.

Description: Stamped aluminum corner; center grooved nylon wheel; adjusting screw; fits on doors by *Jim Walters*.

You may wish to stock these related parts: 121803, 121087.

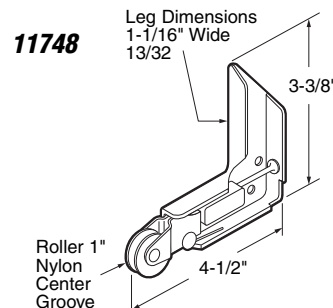


11748

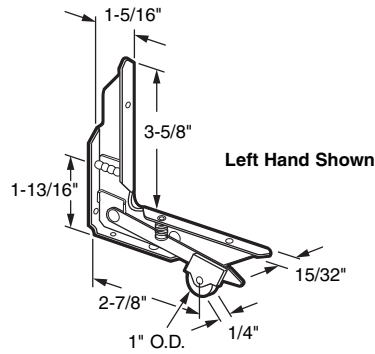
Roller Assembly

Contents: 2 roller and corner assemblies.

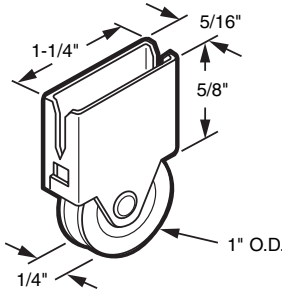
Description: Stamped galvanized steel corner housing with center-grooved nylon wheel; spring activated; adjusting screw; fits on doors by *Metal Industries*.



111840-L
111840-R
111840

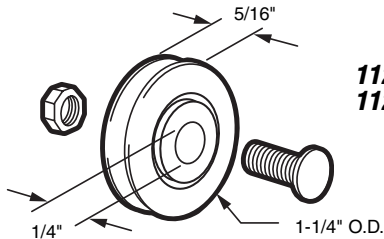
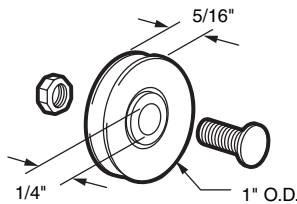


Left Hand Shown



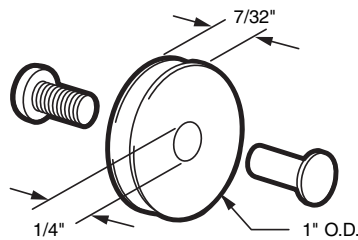
111452
111486

111894

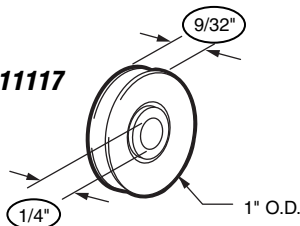


112211
112212

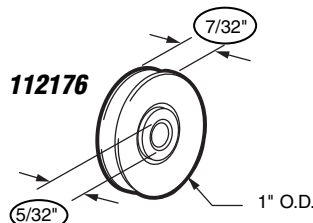
11116



11117



112176



111840-L (Left hand)
111840-R (Right hand)
111840 (Combination pack of 111840-L and 111840-R)

Roller Assembly

Contents: 1 roller assembly.

Description: Stamped steel corner housing with nylon wheel.

Note: 111840 contains 1 pair (left & right).

You may wish to stock these related parts: **12713**, **121327**, **111452**.

Call for
Availability

111452 (Nylon)
111486 (Steel ball bearing)

Roller Assembly

Contents: 2 roller assemblies.

Description: Stamped steel housing; grooved wheel; a replacement roller insert for 111840-L and 111840-R corner assemblies.

You may wish to stock these related parts: **12550**, **12713**, **121327**.

111894

Roller Assembly

Contents: 2 rollers; with fasteners.

Description: Steel ball bearing roller; with 1/4" hole; center grooved; used by many door manufacturers.

112211 (Steel ball bearing)
112212 (Nylon ball bearing)

Roller Assembly

Contents: 2 rollers; with fasteners.

Description: Ball bearing roller with 1/4" hole; center grooved; used by many door manufacturers.

11116

Roller Assembly

Contents: 2 rollers; with fasteners.

Description: Nylon wheel with narrow center groove; fits on *Air Control* doors.

11117 (Nylon)
112176 (Steel ball bearing)

Roller

Contents: 2 rollers.

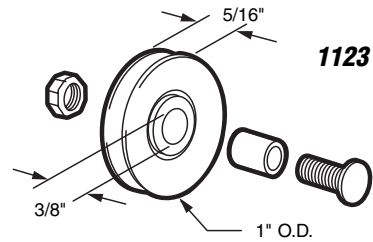
Description: Center grooved nylon or steel ball bearing roller; used by many door manufacturers.

1123

Roller Assembly

Contents: 2 roller assemblies; with fasteners.

Description: Nylon wheel with; nylon bushing; bottom mount.

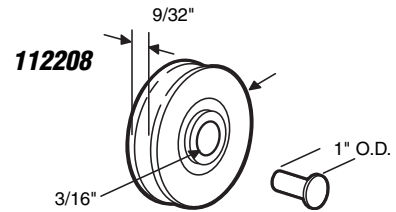


112208

Roller Assembly

Contents: 2 rollers.

Description: Nylon ball bearing wheel with center groove; repair part for 111370 roller.

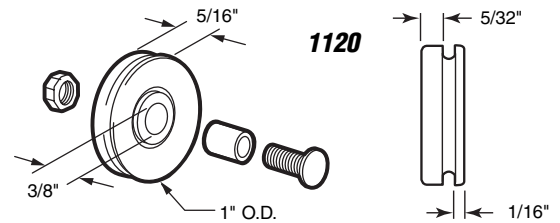


1120

Roller Assembly

Contents: 2 roller assemblies; with fasteners.

Description: Nylon wheel with narrow offset groove; nylon bushing; bottom mount.



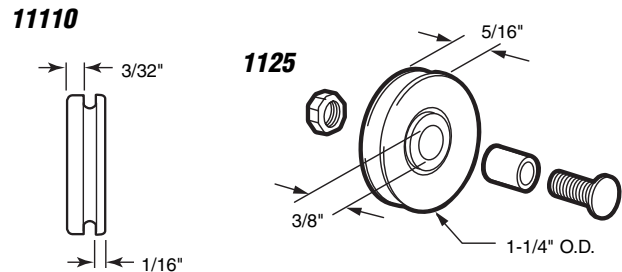
1125 (Center groove)

11110 (Narrow offset groove)

Roller Assembly

Contents: 2 roller assemblies; with fasteners.

Description: Nylon wheel with; nylon bushing; bottom mount.



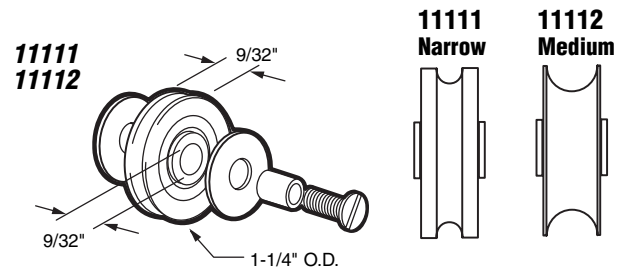
11111 (Narrow center groove)

11112 (Medium center groove)

Roller Assembly

Contents: 2 roller assemblies; with fasteners.

Description: Nylon wheel; with threaded steel bushing; bottom mount.

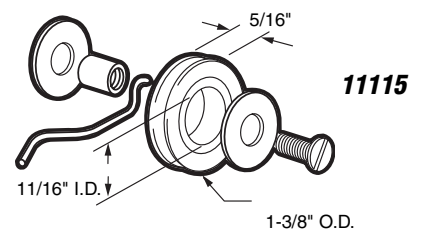


11115

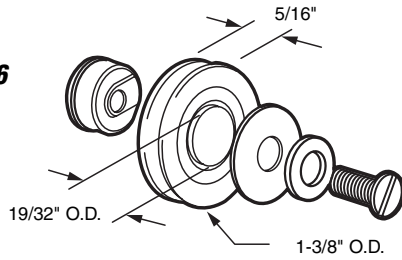
Roller Assembly

Contents: 2 roller assemblies; with fasteners, nylon spacers and 2 wire tension springs.

Description: Adjustable, nylon wheel with wide center groove; spring loaded.



1176



1176

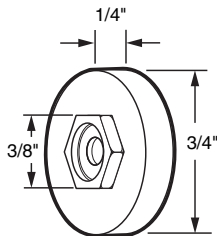
Roller Assembly

Contents: 2 roller and hub assemblies; with fasteners.

Description: Adjustable, nylon wheel with aluminum internally threaded hub; wide center groove; bottom mount; fits on *Arcadia* doors.

You may wish to stock these related parts: **1175**.

111492



111492

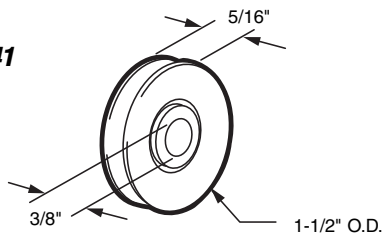
Roller Assembly

Contents: 2 rollers; with fasteners.

Description: Threaded hex hub; 3/4" flat nylon ball bearing wheel; fits *Croft* and *Keller* doors.

You may wish to stock these related parts: **12138**, **112135**, **112136**.

112141



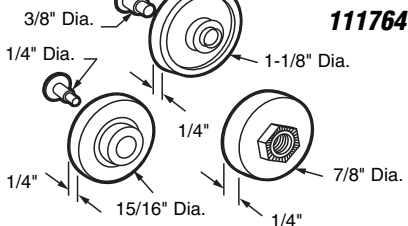
112141

Roller

Contents: 2 rollers.

Description: Nylon wheel; with center groove; bottom mount.

Call for Availability



111764

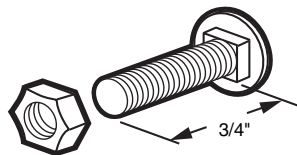
111764

Roller Assortment

Contents: 3 pair of rollers.

Description: 2 each 7/8" flat edge nylon ball bearing wheels with threaded inner race and machine screws; 2 each 15/16" flat edge nylon wheels with aluminum rivet; 2 each 1-1/8" flat edge nylon wheels with aluminum rivet.

1189

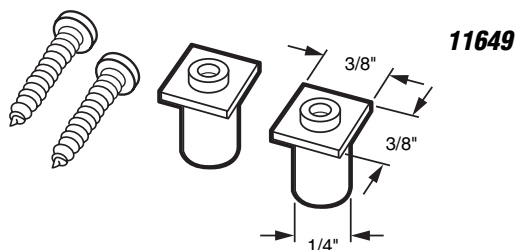


1189

Bolt Assembly

Contents: 4 - 1/4"-20 x 3/4" flat head carriage bolts; with hex nuts.

Description: Used with most bottom mount rollers having a 1/4" inside diameter.



11649

11649

Roller Adjustment Kit

Contents: 2 nylon sleeves; with fasteners.

Description: Adjustment screws and sleeves fit on *Anjac* style spring tension rollers; 7/16" length under head.

You may wish to stock these related parts: **1109**, **1109-B**, **111893**, **111893-B**.

Sliding Screen Door

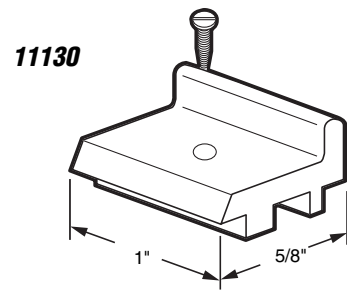
11130

Top Guide

Contents: 2 guides; with fasteners.

Description: Plastic guide; with attaching screw; fits on *Mayfair* doors.

You may wish to stock these related parts: **11120**.



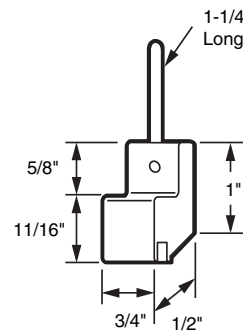
112122

Top Guide

Contents: 2 guides.

Description: Nylon top guides; fits on *Pan Am* doors.

Call for Availability



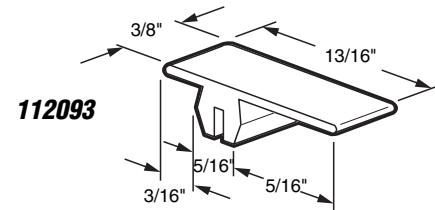
112093

Top Guide

Contents: 4 guides.

Description: Nylon guide; acts as guide and anti-rattle device; used by many door manufacturers.

Call for Availability

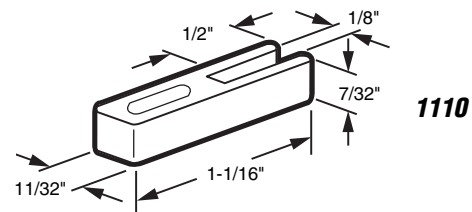


1110

Top Guide

Contents: 2 guides; with fasteners.

Description: Nylon guide; adjustable; used by many door manufacturers.

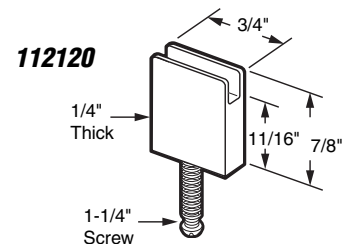


112120

Top Guide

Contents: 2 guides; with springs and adjustment screws.

Description: Nylon top guides; fits on *Tucker* doors.



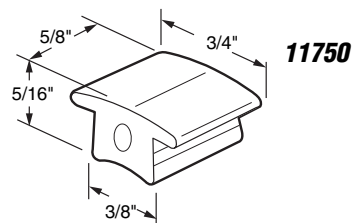
11750

Top Guide

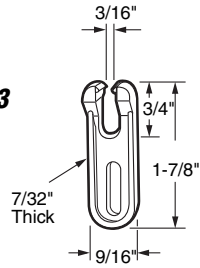
Contents: 2 guides.

Description: Nylon guide; fits on *Columbia* screen doors as a top guide and anti-rattle device.

You may wish to stock these related parts: **12550, 122079, 122080, 121327, 121402.**



112113

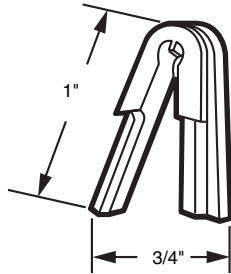


112113

Top Guide

Contents: 2 guides.

Description: Nylon guide; fits on *Crossly* doors.



112116

112116

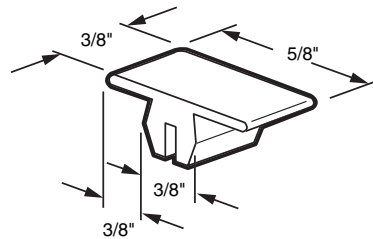
Top Guide

Contents: 4 guides.

Description: Nylon guide; fits on *Miller* doors.

You may wish to stock these related parts: **112021**.

1112



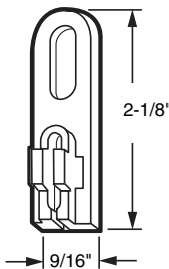
1112

Top Guide

Contents: 2 guides.

Description: Plastic guide; acts as guide and anti-rattle device; used by many door manufacturers.

112124



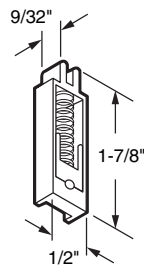
112124

Top Guide

Contents: 2 guides.

Description: Nylon guide; fits on *Crossly* doors.

112115

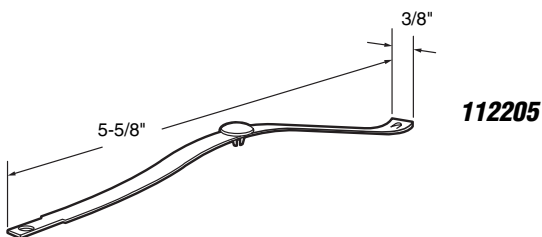


112115

Top Guide

Contents: 2 guides.

Description: Nylon guide with adjustment spring; fits on *Daryl PRI* doors.



112205

112205

Top Tension Spring

Contents: 2 springs.

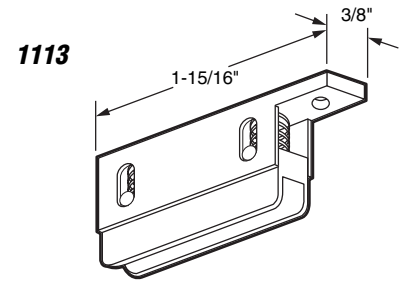
Description: Top mounted heat treated, high tension steel spring with nylon glide button.

1113

Bottom Guide

Contents: 2 guides; installation screws.

Description: Nylon spring loaded assembly; bottom mount; fits on *Ador* doors.

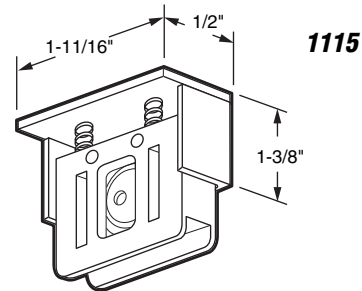


1115

Bottom Guide

Contents: 2 guides and installation screws.

Description: Bottom mount; aluminum housing with nylon spring loaded guide; fits on *Ador "Z"* doors.



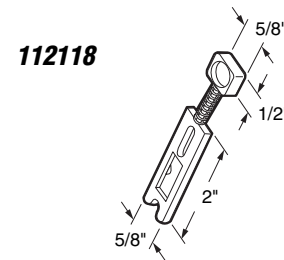
112118

Guide

Contents: 2 guides.

Description: Nylon guide fits on *Tucker* doors.

Call for Availability

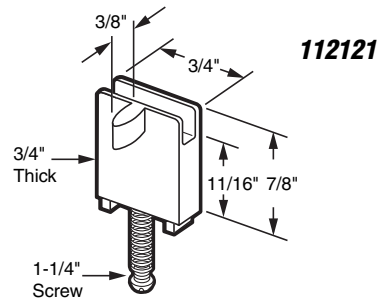


112121

Bottom Guide

Contents: 2 guides.

Description: Nylon bottom guide with adjustment spring and screw; fits on *Tucker* doors.

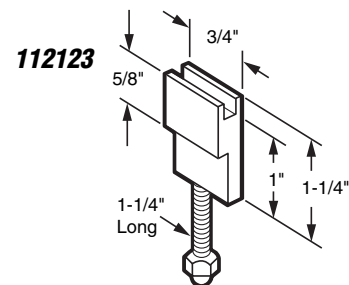


112123

Bottom Guide

Contents: 2 guides.

Description: Nylon bottom guide with spring and cap nut.

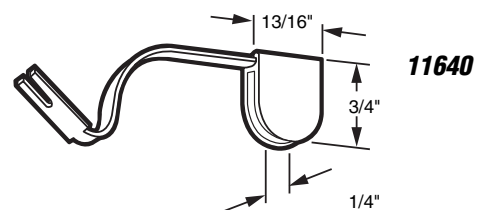


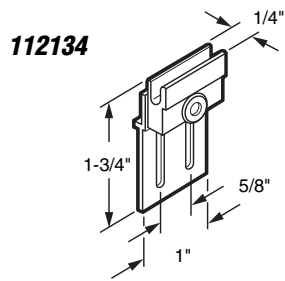
11640

Spring Tension Guide

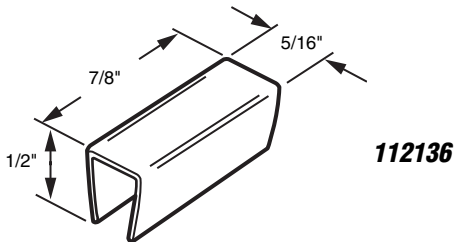
Contents: 2 guide assemblies.

Description: Bottom mount; heat treated, high tension steel spring; nylon guide; fits on *Ador/Hilite* doors.

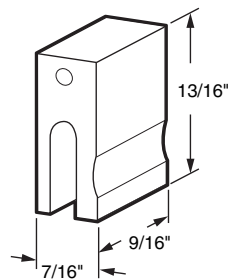




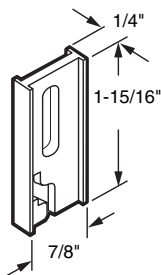
112134



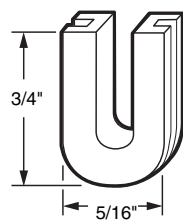
112136



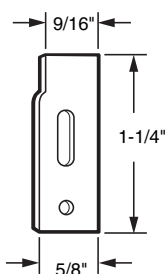
112135



112114



112117



112119

112134

Bottom Guide

Contents: 2 guides; 2 sets installation screws.

Description: Aluminum bracket with nylon guide; bottom mount; fits on *Croft* old style doors.

112136

Bottom Guide

Contents: 4 guides.

Description: Black plastic bottom guide; prevents excessive wear on door frame; fits on doors by *Keller Industries*.

You may wish to stock these related parts: **111492**.

112135

Bottom Guide

Contents: 2 guides; installation screws.

Description: Rigid vinyl guide; bottom mount; fits on *Croft* series 701 and 702 doors.

You may wish to stock these related parts: **111492**.

112114

Bottom Guide

Contents: 2 guides.

Description: Nylon bottom guide; fits on *Crossly* doors.

112117

Bottom Guide

Contents: 4 guides.

Description: Nylon guide; fits on *Daryl* doors.

112119

Bottom Guide

Contents: 2 guides.

Description: Nylon guide; fits on *Tucker* doors.

Sliding Screen Door

112125

Guide

Contents: 2 guides.

Description: Nylon guides used to prevent wear on door frame.

11556

Corner Insert

Contents: 2 corners.

Description: Diecast plain finish with adjustment screw; for 45° miter cut door design; used by many door manufacturers.

You may wish to stock these related parts: **111825**, **11118**, **11101-B**, **111769**.

112139

Corner Insert

Contents: 2 corners.

Description: Diecast plain finish; for 45° miter cut door design; used by many door manufacturers.

B-613 (Clear - 84")

B-614 (Clear - 96")

B-615 (Black - 84")

B-616 (Black - 96")

Uni-Fit Bug Seal

Contents: 5 each per master box.

Description: Clear or black anodized aluminum molding; 1-1/4" wide vinyl flap is segmented into 1/4" strips you can tear to desired size; pre-punched for screws; easy to install to both roll-formed or extruded door frames.

112143-7 (7 ft. long - Black vinyl)

112143-8 (8 ft. long - Black vinyl)

Bug Seal

Contents: 1 strip of vinyl.

Description: Vinyl flap has tear strips to adjust width from 7/8" to 1-3/8"; flexible; seals against insects.

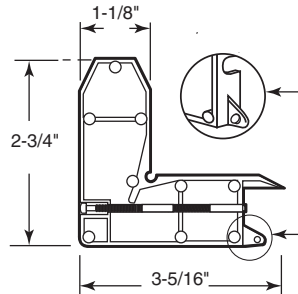
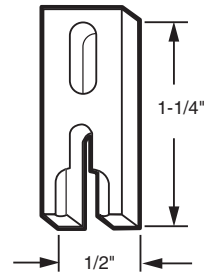
112424 (7 ft. long - Black vinyl)

Bug Seal

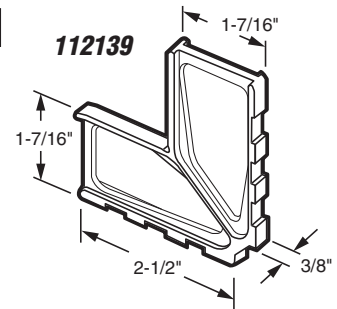
Contents: 1 strip of vinyl.

Description: Vinyl flap has tear strips to adjust width from 7/8" to 1-3/8"; flexible; seals against insects.

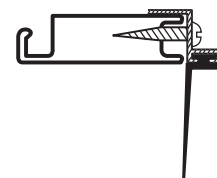
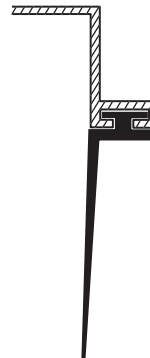
112125



11556

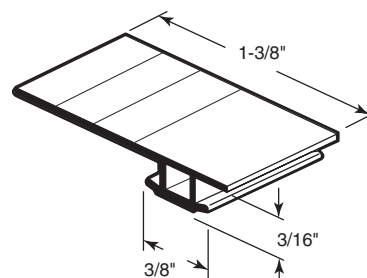
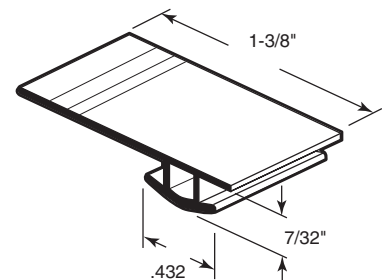


112139



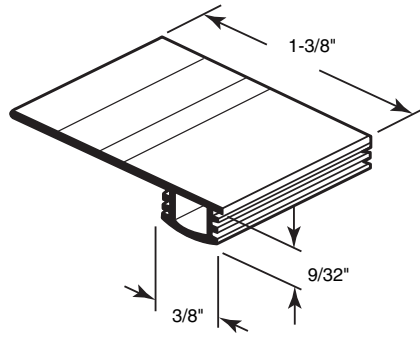
B-613
B-614
B-615
B-616

112143-7
112143-8



112424

11639

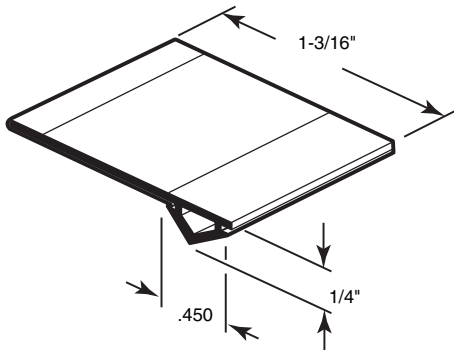


11639 (7 ft. long - Black vinyl)

Bug Seal

Contents: 1 strip of vinyl.

Description: Vinyl flap has tear strips to adjust width from 3/4" to 1-3/8". Flexible, seals against insects.



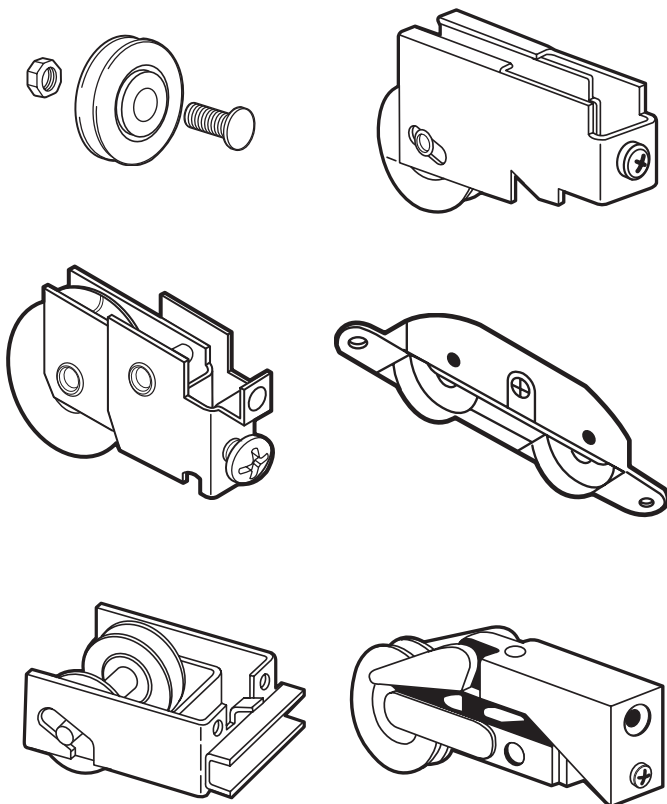
112213

112213 (7 ft. long - Black vinyl)

Bug Seal

Contents: 1 strip of vinyl.

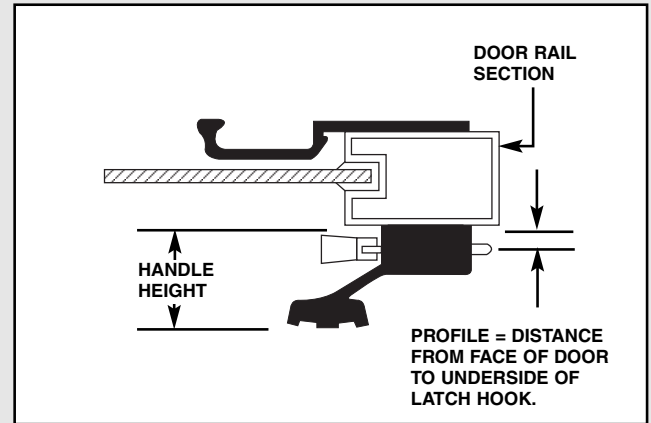
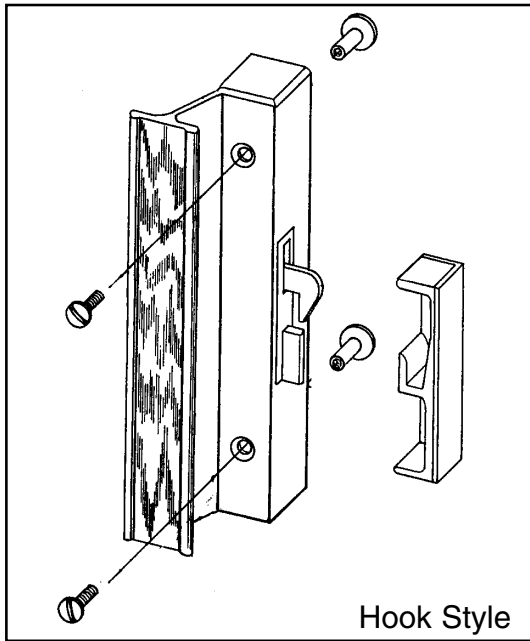
Description: Vinyl flap has tear strips to adjust width from 9/16" to 1-3/16"; flexible; seals against insects.



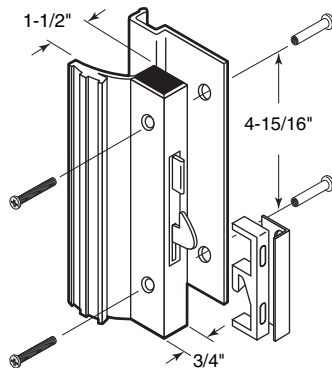
**See our huge
selection of
Patio Door rollers
and
roller assemblies.**

*The following pages offer
a comprehensive selection of:*

**Surface Mounted - Hook Style
HANDLE SETS**



14206
142053
14206-B
143494



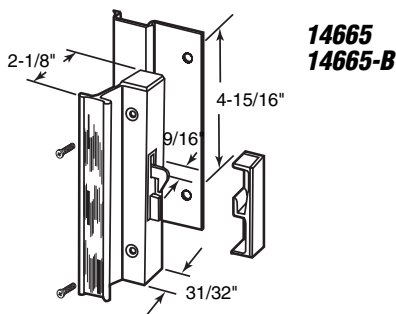
14206 (Aluminum)
142053 (Black)
14206-B (Bronze)
143494 (White)

Handle Set (Standard handle height)

Contents: 1 inside pull and latch assembly; 1 outside pull; 1 face mounting keeper; installation fasteners.

Description: Extruded aluminum inside and outside pulls; fixed anti-lift bar for additional security; reversible for right or left hand doors. Overall handle height is 1-1/2"; latch hook profile is 3/8".

You may also wish to stock these related parts: **141237, 141974, 15832-B, 152485, 152490.**



14665 (Aluminum)
14665-B (Black)

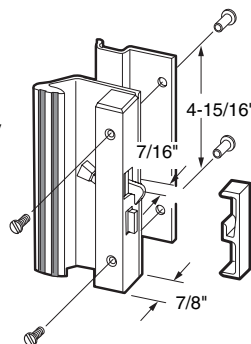
Handle Set (High handle height)

Contents: 1 inside pull and latch assembly; 1 outside pull; 1 face mounting keeper; installation fasteners.

Description: Same handle design as 14206 except latch hook profile is 9/16". Overall handle height is 2-1/8".

You may also wish to stock these related parts: **141974, 141974-B, 152485, 152490.**

14664
14664-B
14664-W



14664 (Aluminum)
14664-B (Black)
14664-W (White)

Handle Set (Low handle height)

Contents: 1 inside pull and latch assembly; 1 outside pull; 1 face mounting keeper; installation fasteners.

Description: Same handle design as 14206 except latch hook profile is 7/16". Overall handle height will offer lower profile, approximately 1" high. Allows clearance for blinds & draperies.

You may also wish to stock these related parts: **141237, 1505, 141974, 141974-B.**

Sliding Patio Door

14950

14950-K (With keyed lock)

Handle Set (Aluminum)

Contents: 1 inside pull and latch assembly; 1 outside pull; installation fasteners.

Description: Universal design; replaces most surface latch sets; **diecast** assembly with **wood** handle; **diecast** thumb turn with **steel** hook; 2-way **diecast** keeper.

You may also wish to stock these related parts: **1505**, **152483**, **152483-B**.

142854 (Aluminum)

141752 (Black)

14206-W (White)

142243 (Almond)

Handle Set

Contents: 1 inside pull and latch assembly; 1 outside pull; 1 face mounting keeper; installation fasteners.

Description: **Extruded aluminum** inside; and **diecast** outside pulls; fixed **anti-lift bar** for additional security; **reversible** for right or left hand doors; **latch hook profile is 7/16"**.

You may also wish to stock these related parts: **141237**, **141974**, **15832-B**, **152485**, **152490**.

14377 (Aluminum)

14656 (Bronze)

Handle Set

Contents: 1 inside pull and latch assembly; 1 outside pull; 1 keeper; installation fasteners.

Description: Designed for **Sears** sliding patio doors; **diecast** inside pull with **wood** handle; **anti-lift bar**; **steel** hook; flush **extruded aluminum** outside pull; **latch hook profile is 1/2"**.

You may also wish to stock these related parts: **1449**, **152479**, **152480**, **152485**, **152490**.

142220 (Aluminum)

142221 (Black)

Handle Set

Contents: 1 deluxe inside pull and latch assembly; 1 outside pull; side and face mount keeper; installation fasteners.

Description: **Extruded aluminum** inside and outside pulls; **wood** handle; surface mount; fixed **anti-lift bar** for additional security; **reversible** for right or left hand doors; **latch hook profile is 3/8"**.

You may also wish to stock these related parts: **141237**, **1449**.

142226 (Aluminum)

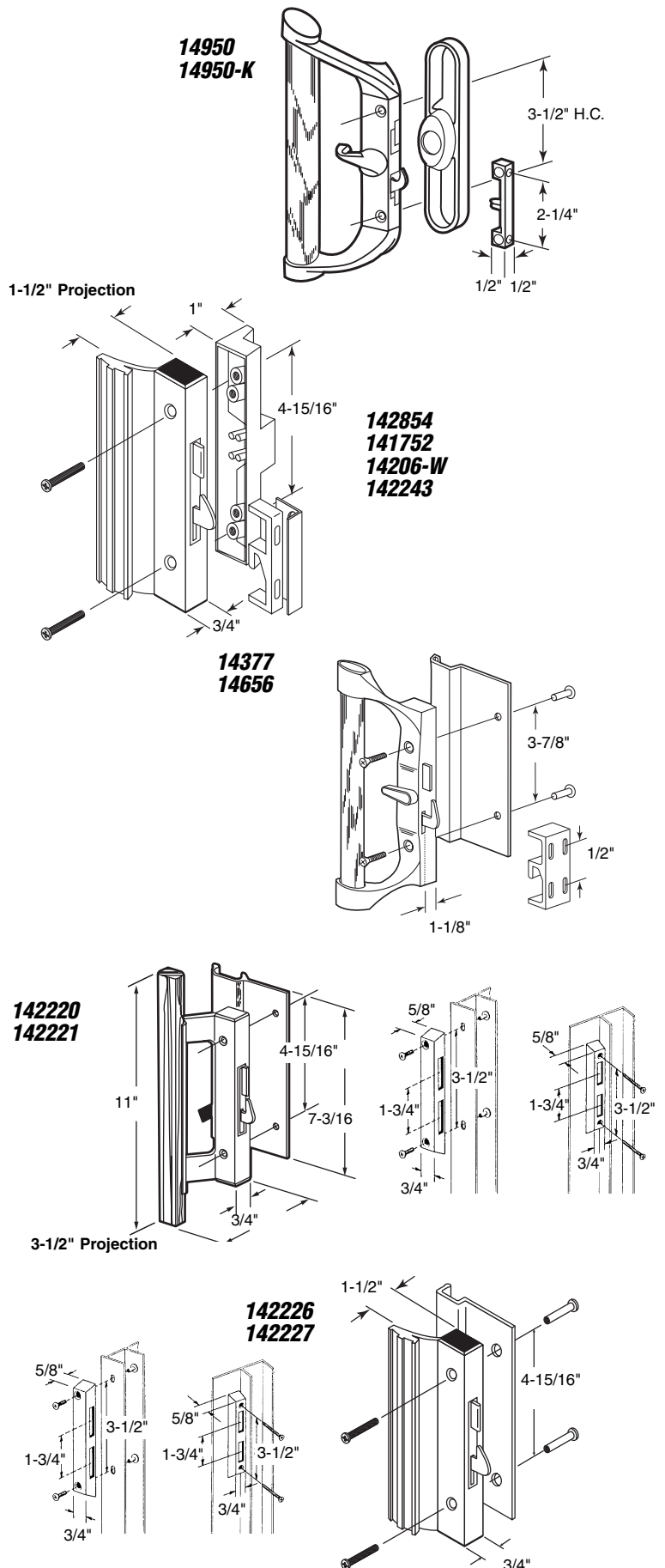
142227 (Black)

Handle Set

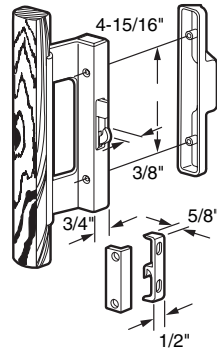
Contents: 1 inside pull and latch assembly; 1 outside pull; side and face mount keeper; installation fasteners.

Description: **Extruded aluminum** inside and outside pulls; surface mount; fixed **anti-lift bar** for additional security; **reversible** for right or left hand doors; overall **handle height is 1-1/2"**; **latch hook profile is 3/8"**.

You may also wish to stock these related parts: **141237**, **1449**.



142238



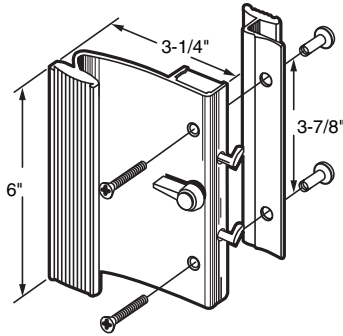
142238 (Black)

Handle Set

Contents: 1 inside pull and latch assembly; 1 outside pull; 1 keeper; installation fasteners.

Description: Extruded aluminum inside pull includes wood handle; keyable diecast outside pull; fixed anti-lift bar for additional security; reversible for left or right hand doors. Overall handle height is 3-1/2"; latch hook profile is 3/8".

You may also wish to stock these related parts: 1505.



14183
14183-B

14183 (Aluminum)

14183-B (Black)

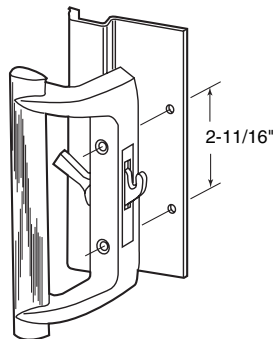
Handle Set

Contents: 1 inside pull and latch assembly; 1 outside pull; installation fasteners.

Description: Designed for Ador/HiLite doors; extruded aluminum inside and outside pulls; handle latches into door jamb (no strike necessary).

You may also wish to stock these related parts: 14584-A, 14584-B, 15585-A, 15585-B, 15114, 152497.

14387
14387-B



14387 (Aluminum)

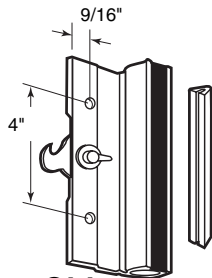
14387-B (Black)

Handle Set

Contents: 1 inside pull and latch assembly; 1 outside pull; installation fasteners.

Description: Diecast inside pull with wood handle; flush extruded aluminum outside pull; surface mount; plastic latch activator and steel hook; designed for Cupples patio doors.

You may also wish to stock these related parts: 14200-B, 13169, 152473, 15191.



Old Style

14205-L
14205-R

Right hand shown

14205-L (Left hand)

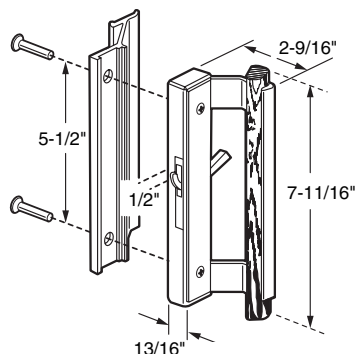
14205-R (Right hand)

Handle Set (Aluminum)

Contents: 1 inside pull and latch assembly; 1 outside pull; installation fasteners.

Description: Extruded aluminum inside and outside pulls; diecast thumbturn and steel hook; designed for Premier doors.

141968



141968 (Aluminum)

Handle Set

Contents: 1 inside pull and latch assembly; 1 outside pull; installation fasteners.

Description: Extruded aluminum handle with wood insert; plastic base with reversible latch for left or right hand.

You may also wish to stock these related parts: 15191, 141974.

Sliding Patio Door

14200-A (Aluminum)

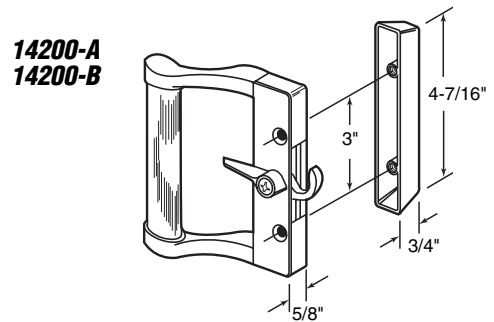
14200-B (Black)

Handle Set

Contents: 1 inside pull and latch assembly; 1 outside pull; installation fasteners.

Description: Universal design **diecast** inside pull with **wood** handle; side or face-mount keeper; **diecast** outside pull; surface mount.

You may also wish to stock these related parts: **15400-19, 1511, 152486, 151865.**



142231

142236 (Keyed)

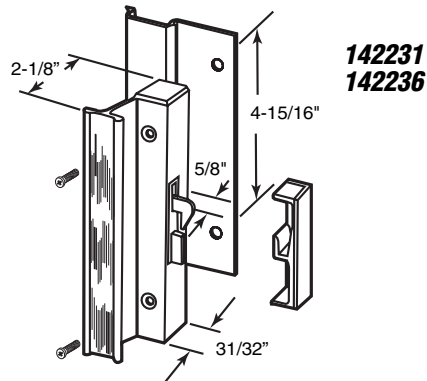
Call for Availability

Handle Set (Black)

Contents: 1 inside latch and pull; 1 outside pull; 1 face mounting keeper; 1 set of installation fasteners.

Description: **Extruded aluminum** handle; **steel** hook and reversible **anti-lift pin** for left or right hand installation; fits on **Arcadia** doors.

You may also wish to stock these related parts: **15565-B.**



14300 (Black)

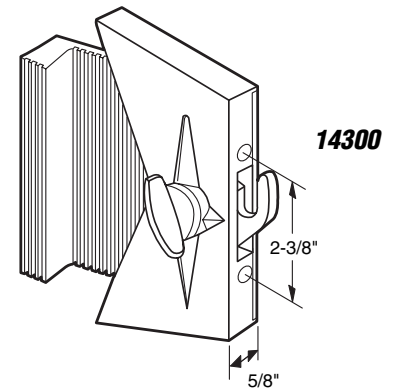
Call for Availability

Handle Set

Contents: 1 inside pull and latch assembly.

Description: Designed for **Horizon** doors; replaces old style plastic handle; also known as **Star Lock**; heavy **diecast** lock.

You may also wish to stock these related parts: **1387, 1322, 1551.**

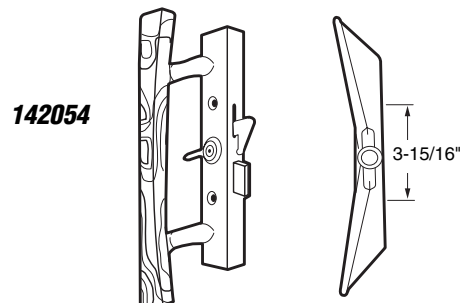


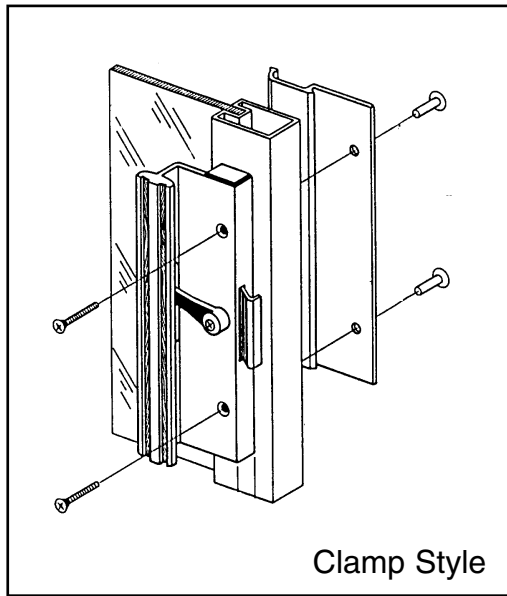
142054

Handle Set

Contents: 1 inside pull and latch assembly; 1 outside pull; installation fasteners.

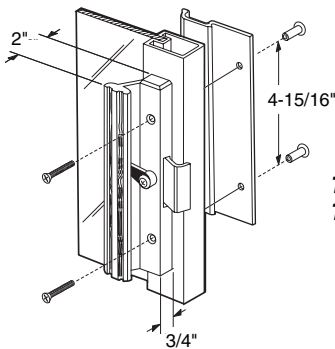
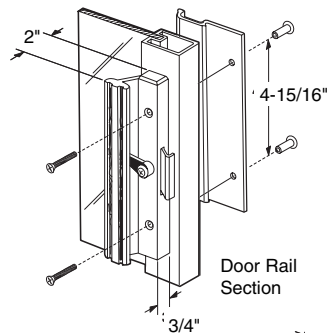
Description: **Diecast** inside pull with **wood** insert, **diecast** outside pull and **anti-lift bar** for added security, for right or left handed application.



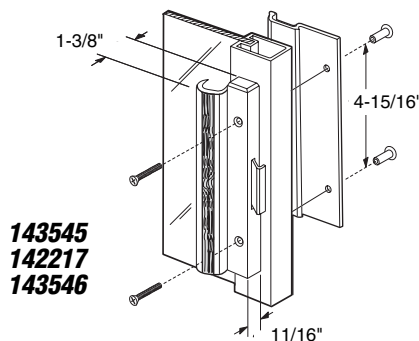


Clamp Style

141706
141311

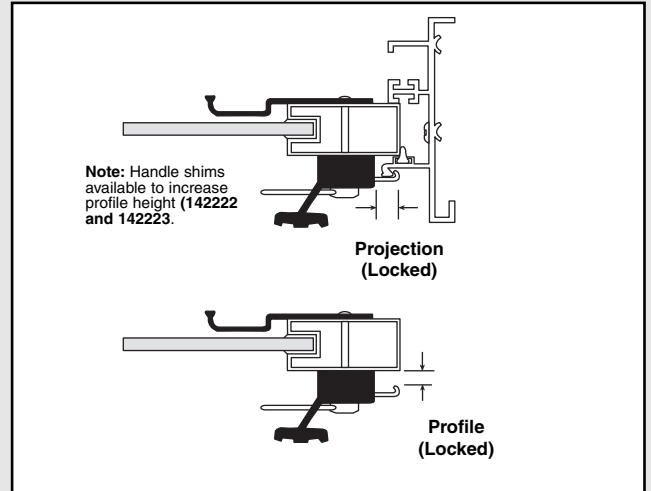


142229
142230



143545
142217
143546

*The following pages offer
a comprehensive selection of:*
**Surface Mounted - Clamp Style
HANDLE SETS**



Note: Handle shims available to increase profile height (142222 and 142223).

141706 (Aluminum)

141311 (Black)

Handle Set

Contents: 1 inside pull and latch assembly; 1 outside pull; installation fasteners.

Description: Extruded aluminum inside and flush outside pull; surface mounted; clamp-latch with metal activator; latch hook profile is 1/4"; projection is 1/2"; used by many patio door manufacturers.

142229 (Aluminum)

142230 (Black)

Handle Set

Contents: 1 inside pull and latch assembly; 1 outside pull; installation fasteners.

Description: Extruded aluminum inside pull; clamp-latch with metal activator; extruded aluminum outside pull; designed for Lupton, Rolleze and many patio door manufacturers. Latch hook profile is 3/16" and the projection is 11/16".

You may also wish to stock these related parts: **1449**.

143545 (Aluminum)

142217 (Black)

143546 (White)

Handle Set

Contents: 1 inside pull and latch assembly; 1 outside pull; installation fasteners.

Description: Designed for Northrop Architectural doors; extruded aluminum inside pull with metal activator and clamp-latch; flush extruded aluminum outside pull. Latch hook profile is 3/16" and the projection is 7/16".

Sliding Patio Door

- 141842** (Black)
- 141845** (White)
- 142242** (Almond)

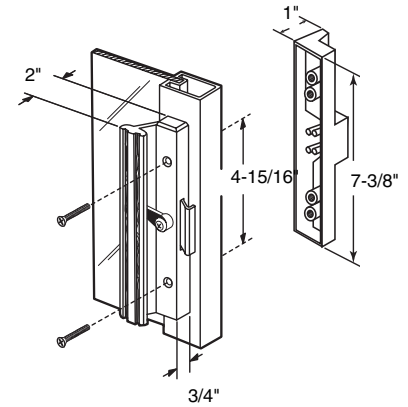
Handle Set

Contents: 1 inside pull and latch assembly; 1 outside pull; installation fasteners.

Description: Extruded aluminum inside pull; clamp-latch with metal activator; diecast outside pull has knock-out for converting to keyed cylinder lock; latch hook profile is 1/4"; projection is 1/2"; used by many patio door manufacturers.

You may also wish to stock these related parts: **142240, 142241.**

- 141842**
- 141845**
- 142242**

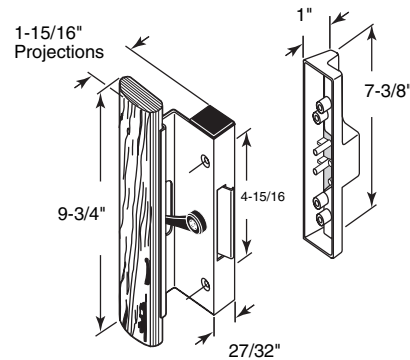


- 141753** (Black)
- 142266** (White)

Handle Set

Contents: 1 inside pull and latch assembly; 1 outside pull; installation fasteners.

Description: Extruded aluminum inside pull with wood handle; diecast outside pull has knock-out for converting to keyed cylinder lock. Latch hook profile is 1/4"; projection is 7/16".



- 141753**
- 142266**

- 14538** (Aluminum)
- 14538-B** (Black)
- 143528** (White)

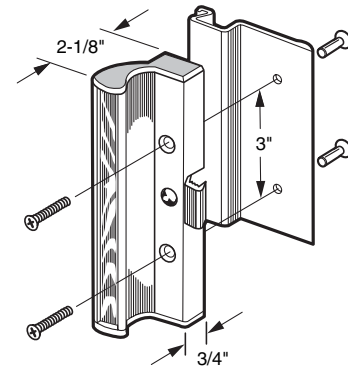
Handle Set

Contents: 1 inside pull and latch assembly; 1 outside pull; installation fasteners.

Description: Extruded aluminum inside pull; clamp-latch with plastic activator; flush extruded aluminum outside pull; designed to fit *International* doors. Latch hook profile is 1/4" and the projection is 9/16".

You may also wish to stock this related parts: **142234, 14503, 15566-A, 15566-B, 13177, 13177-S, 131729.**

- 14538**
- 14538-B**
- 143528**



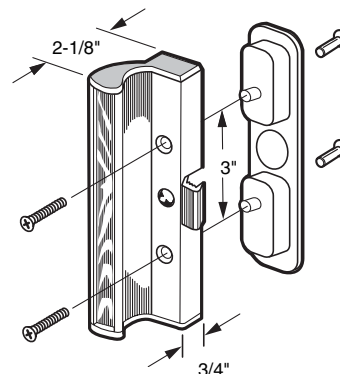
- 141315** (Black)
- 141316** (White)

Handle Set

Contents: 1 inside pull and latch assembly; 1 outside pull; installation fasteners.

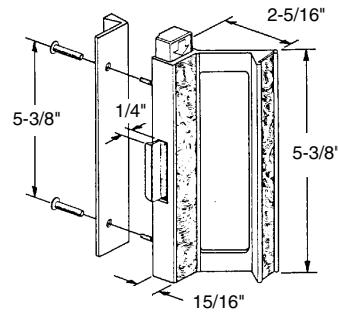
Description: Extruded aluminum inside pull; clamp-latch with plastic activator; flush diecast outside pull; designed to fit *International* doors; latch hook profile is 1/4" and the projection is 9/16".

You may also wish to stock this related parts: **142234, 14503, 15566-A, 15566-B, 13177, 13177-S, 131729.**



- 141315**
- 141316**

14810



14810 (Black)

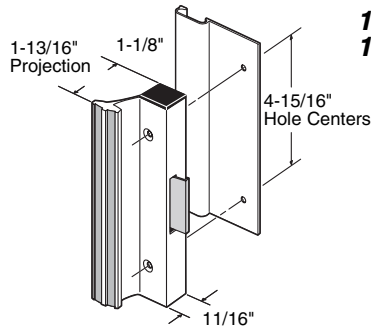
Handle Set

Contents: 1 inside pull and latch assembly; 1 outside pull; installation fasteners.

Description: Anodized extruded aluminum clamp-type latch; extruded aluminum outside pull; fits on doors by *Rusco/Hilite*.

You may also wish to stock these related parts: **13811**.

Call for Availability



14399
14399-B

14399 (Aluminum)

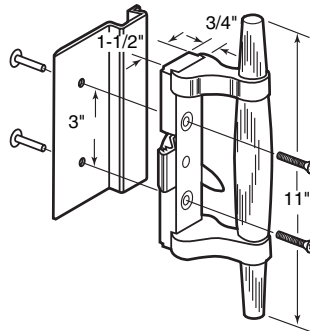
14399-B (Bronze)

Handle Set

Contents: 1 inside pull & latch assembly with wood grain strip; 1 flush outside pull and installation fasteners.

Description: Extruded aluminum inside handle; with clamp style latch and metal activator; extruded aluminum outside pull; latch hook profile is 3/16"; projection is 7/16".

14347
142228



14347 (Aluminum)

142228 (Black)

Handle Set

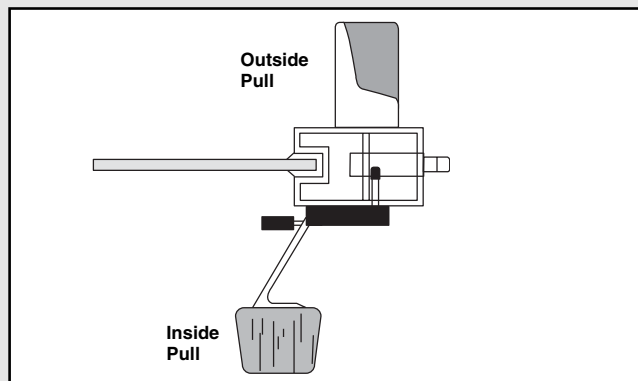
Contents: 1 inside pull and latch assembly; 1 outside pull; installation fasteners.

Description: Extruded aluminum inside pull with wood handle; complete with plastic thumbturn and aluminum clamp-latch assembly; flush extruded aluminum outside pull; designed for *International* doors (deluxe series handle); latch hook profile is 1/4" and the projection is 9/16".

You may also wish to stock these related parts: **142234**, **14503**, **15566-A**, **15566-B**, **13177**, **13177-S**, **131729**.

The following pages offer a comprehensive selection of:

Mortise Style HANDLE SETS



14346 (Aluminum)

142379 (Black)

14751 (Bronze)

143533 (White)

Handle Set

Contents: 1 inside and 1 outside pull; installation fasteners.

Description: Deluxe handle set for mortise locks; **extruded aluminum** inside pull with **heavy-duty wood** handle; **diecast** aluminum outside pull; designed to be used with any of the following mortise latches.

You may also wish to stock this related parts: **151291, 15410-F, 141725, 1521.**

14421 (Non-keyed)

14422 (Keyed)

Handle Set (Aluminum)

Contents: 1 inside pull; 1 latch plate; 1 outside pull; installation fasteners.

Description: Inside pull with **wood** handle and **diecast** brackets; **extruded aluminum** latch with **diecast** thumb turn and **steel** lock activator; **extruded aluminum** outside pull; designed for **Daryl** doors, but will function with a variety of mortise locks.

You may also wish to stock this related parts: **1505, 15481, 14425, 151035, 15410-F.**

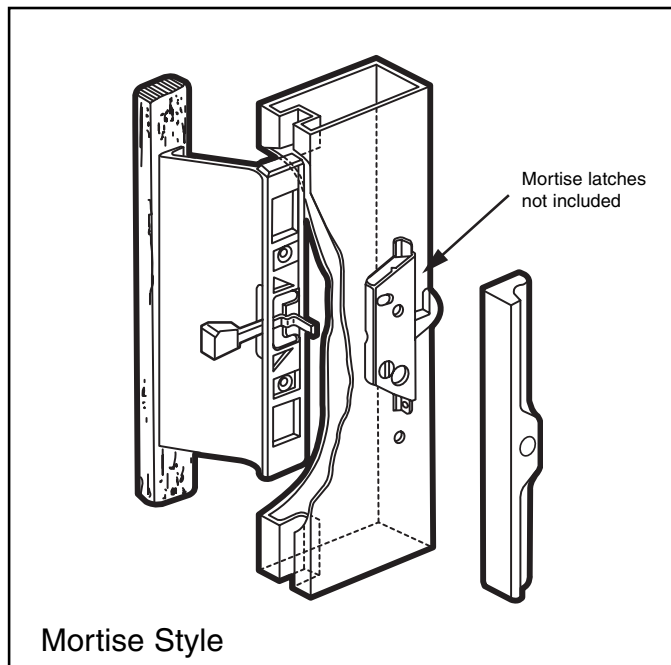
14184 (Aluminum)

Handle Set

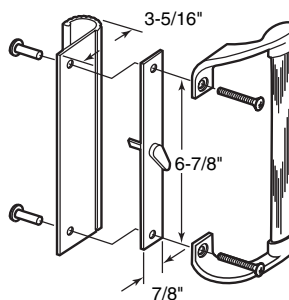
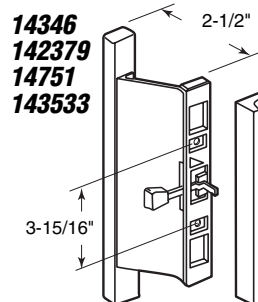
Contents: 1 inside pull; 1 outside pull; installation fasteners.

Description: **Extruded aluminum** inside pull with **diecast** thumb turn and latching assembly for mortise locks; flush **extruded aluminum** outside pull; replacement for all **Fairview** doors.

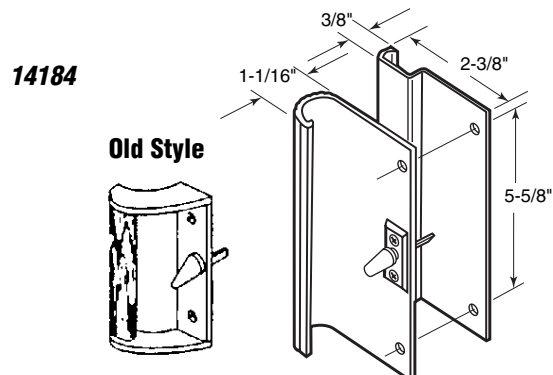
You may also wish to stock this related parts: **151291, 15187, 15400, 15410, 15311, 15389, 14426, 151035, 151034, 141729, 151527.**



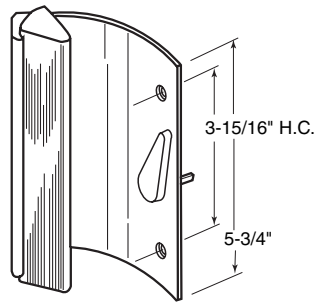
Mortise Style



14421
14422



142218
142219



142218 (Aluminum)
142219 (Bronze)

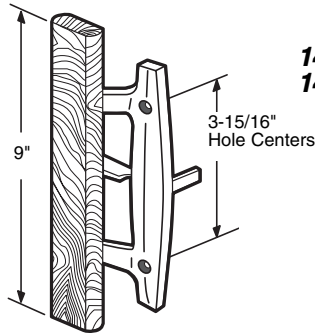
*Call for
Availability*

Handle

Contents: 1 inside pull; 1 thumb latch; installation fasteners.

Description: Extruded aluminum inside pull with wood handle; diecast thumb turn and latch activator.

You may also wish to stock this related parts: **151291, 14425, 15400, 15410, 15389, 14426, 151035, 151034, 141725.**



142247
143530

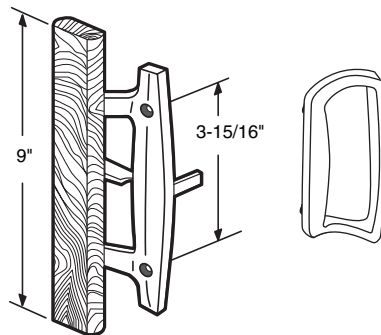
142247 (Black)
143530 (White)

Handle Set

Contents: 1 inside pull; 1 thumb latch; installation fasteners.

Description: Deluxe handle for mortise locks; diecast aluminum with wood pull; 1 diecast thumb turn. May be used with following latching units: **151291, 15400, 15410, 141725**; non handed, surface mounted.

142250
143532

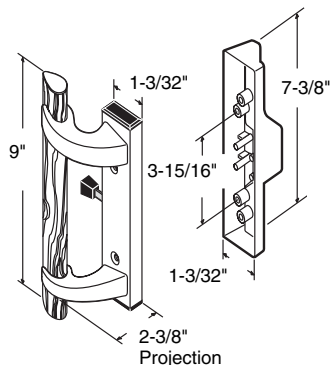


142250 (Black)
143532 (White)

Handle Set

Contents: 1 inside pull with thumb latch; 1 outside pull; installation fasteners.

Description: Diecast inside pull with wood handle; diecast thumb turn and steel latch activator; diecast outside pull.



141824

141824 (White)

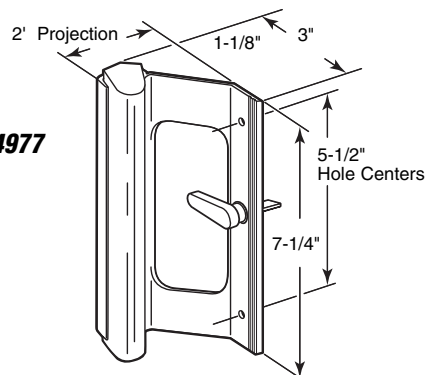
Handle Set

Contents: 1 inside pull; 1 outside pull; installation fasteners.

Description: Extruded aluminum inside pull with wood handle; diecast outside pull. May be used with the following locking units: **15187, 15400, 15410, 15311, 15389, 14426, 141725, 151527.**

You may wish to stock these related parts: **14503.**

14977



14977 (Aluminum)
14977-B (Bronze)

Handle Set

Contents: 1 inside pull; thumb lock and installation fasteners.

Description: Extruded aluminum pull with wood insert.

141587 (Aluminum)

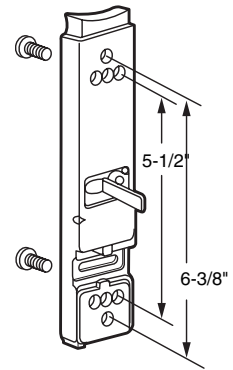
Handle Set

Contents: 1 inside slide latch.

Description: Extruded aluminum housing with plastic slide activator; works with *Adams Rite* mortise locks.

Call for Availability

141587



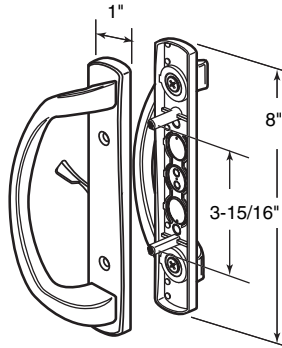
142260 (Brass plated)

142262 (White)

Handle Set (Decorative)

Contents: 1 inside pull and thumb latch; 1 outside pull; installation fasteners.

Description: High profile diecast handle set for mortise locks; non-handed outside pull can be keyed using 152514 key cylinder adapter kit for the white and 152515 for the brass handle.



**142260
142262**

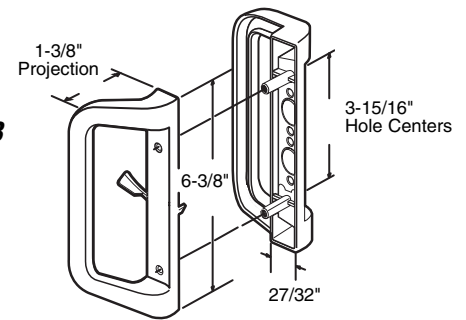
142263 (White)

Handle Set (Decorative)

Contents: 1 inside pull and thumb latch; 1 outside pull; installation fasteners.

Description: Low profile diecast handle set for mortise locks; non-handed.

142263

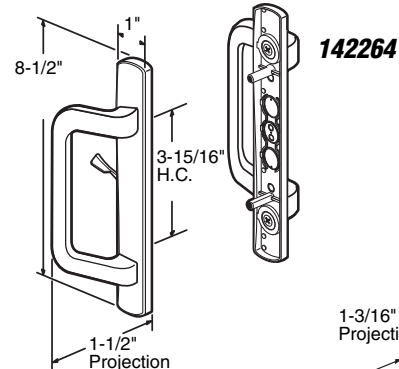


142264 (White)

Handle Set (Decorative)

Contents: 1 inside pull and thumb latch; 1 outside pull; installation fasteners.

Description: Low profile; long base diecast handle set for mortise locks; non-handed.



142264

142265 (White)

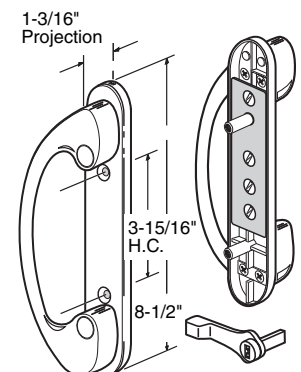
Handle Set (Decorative)

Contents: 1 inside pull with thumb latch; 1 outside pull; installation screws.

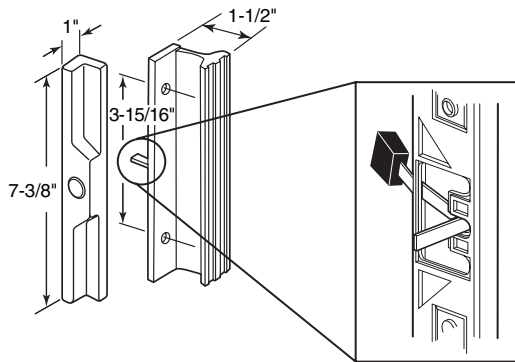
Description: Diecast handle set for mortise locks; new internal design allows placement of key cylinder away from handle set pull area; adapts to most mortise lock locations.

Call for Availability

142265



141841
141844
142369



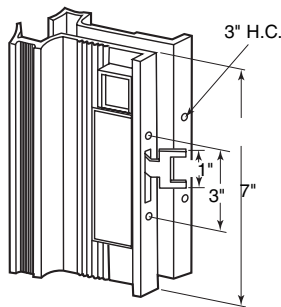
141841 (Black)
141844 (White)
142369 (Almond)

Handle Set

Contents: 1 inside pull; 1 outside pull; installation fasteners.

Description: Standard handle set for mortise locks. **Extruded aluminum** inside pull; **diecast** outside pull. Designed to be used with any of the following latch units: 151291, 15410-F, 141725 or 1521. Non-handed, surface mount; Removable knock-out slug for adding key cylinder.

You may wish to stock these related parts: **1505, 15778, 151881.**



14479
14480
141539
141152

14479 (Single glazed)
14480 (Single glazed-keyed)
141539 (Dual glazed-keyed)
141152 (Dual glazed)

Call for
Availability

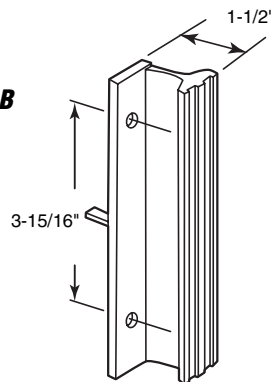
Handle Set (Black)

Contents: 1 inside pull; 1 outside pull; installation fasteners.

Description: **Extruded aluminum** inside pull; with **plastic** latch assembly and **steel** actuator fork; **extruded aluminum** outside pull; designed for **Guaranteed** patio door.

You may also wish to stock this related parts: **141312, 15481, 151527, 151310.**

14323
14323-B



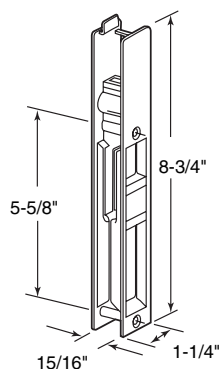
14323 (Aluminum)
14323-B (Bronze)

Inside Pull and Actuator

Contents: 1 inside pull; 1 set of installation fasteners.

Description: **Extruded aluminum**, surface mount handle to operate mortise lock; designed to be used with a variety of latching units; **plastic** slide button for easy operating lock activator; non-handed.

Works with the following locking units: **151291, 15400.**



14438
14605

14438 (Non-keyed)
14605 (Keyed)

Handle Set (Aluminum)

Contents: 1 inside pull; 1 outside pull; installation fasteners.

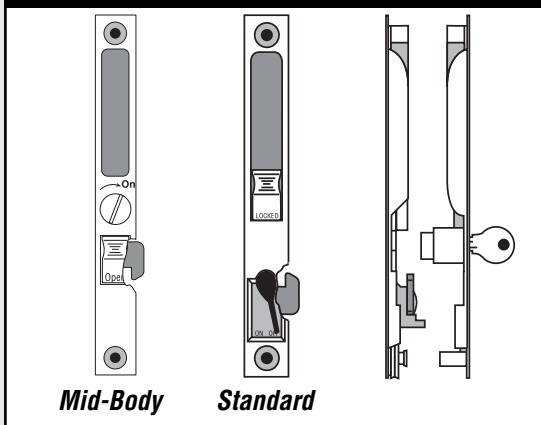
Description: **Diecast** flush latch and lock; used to activate mortise latches.

You may also wish to stock this related parts: **151291.**

The following pages offer a comprehensive selection of:

Flush Mount HANDLE SETS

Hook Locations



141638 (Black)
14420 (Chrome)

Standard Hook

Handle Set

Contents: 1 inside latch with deluxe wood pull; 1 outside pull; 1 keeper; installation fasteners; **4 hook assortment**; 1 locking cylinder with 2 keys.

Description: Diecast construction fits most popular flush lock cut-outs; comes complete with keyed cylinder lock; **reversible** for left or right hand; complete with 4 different hook lengths.

You may also wish to stock this related parts: **141640, 141639, 14436, 141688, 141975, 14416, 141388, 142029, 14504, 14418, 141389, 152495, 152500.**

141640 (Black - Keyed)
141639 (Black - Non-keyed)
142370 (White - Keyed)

Standard Hook

Handle Set

Contents: 1 inside latch; 1 outside pull; with (locking cylinder) and **4 hook assortment**; 1 keeper; installation fasteners.

Description: Diecast construction fits flush lock cut-outs; **reversible** latch; complete with keeper; same as 141638 without wood pull.

You may also wish to stock these related parts: **141642, 141688, 141388, 142029, 14418, 142495.**

14903 (Keyed)
14902 (Non-keyed)

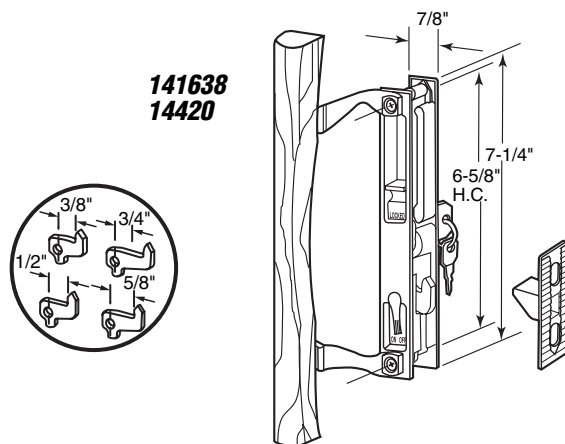
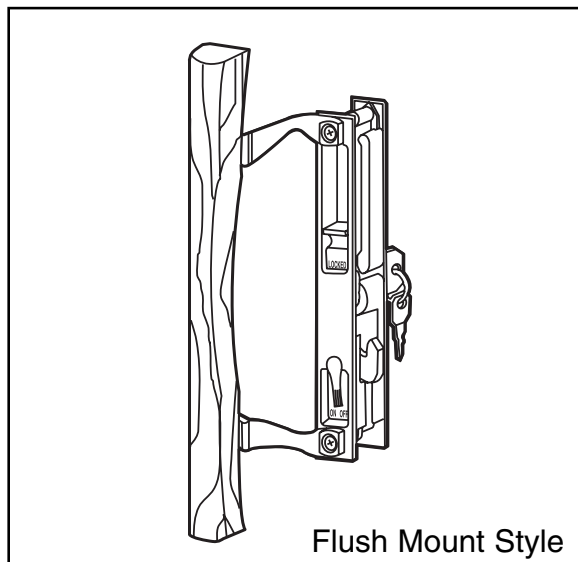
Unique Hook

Handle Set (Chrome)

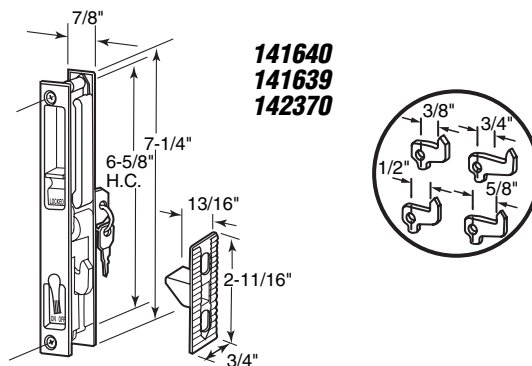
Contents: 1 inside latch and pull; 1 outside latch; (1 locking cylinder); 1 set installation fasteners.

Description: Diecast construction; has push button activator with **diecast** hook; nite latch feature; fits on **Crossly** doors.

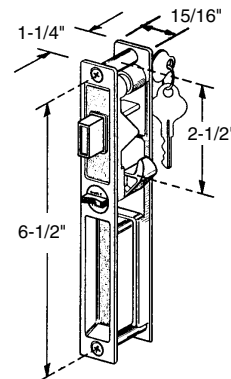
You may also wish to stock this related parts: **152491.**



141638
14420

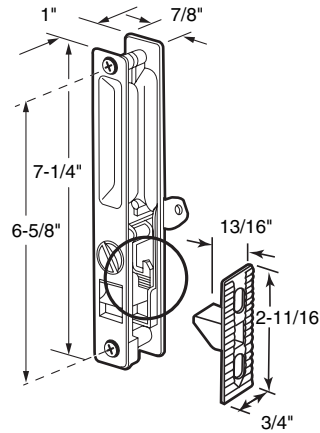
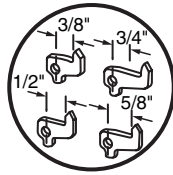


141640
141639
142370



14903
14902

141975
14416



141975 (3/8" hook only)
14416 (4 hook assortment)

Standard Hook

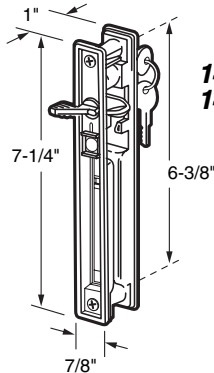
Handle Set (Chrome)

Contents: 1 inside latch and pull; 1 outside pull; 1 locking cylinder; 1 keeper; 1 set of installation fasteners.

Description: Diecast construction; chrome plated; steel hook; nite latch feature; universal design; interchangeable hooks are reversible.

You may also wish to stock this related parts: **141642, 141688, 141763, 141388.**

142233
142239



Unique Hook

142233 (Keyed)
142239 (Non-keyed)

Call for Availability

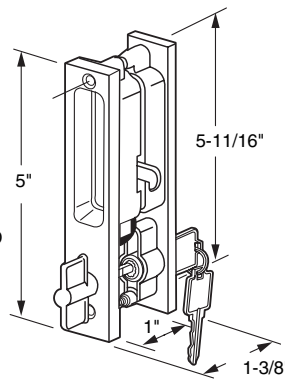
Handle Set (Chrome)

Contents: 1 inside latch and pull; 1 outside pull; 1 locking cylinder; installation fasteners.

Description: Diecast construction; chrome finish flush type lock; designed for *Miller Industries (Mil-Door)*.

You may also wish to stock this related parts: **152492.**

142069-L
142069-R
141313
141314



RIGHT HAND SHOWN

142069-L (Left - bronze)
142069-R (Right - bronze)
141313 (Right - aluminum)
141314 (Left - aluminum)

Unique Hook

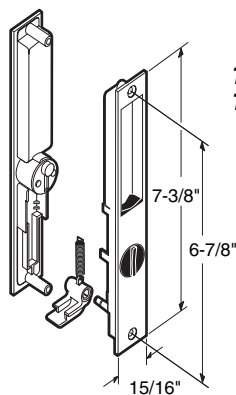
Handle Set (Keyed)

Contents: 1 inside latch and pull; 1 outside pull; 1 key lock installation screws.

Description: Flush type lock; 5" hole centers; used in mobile homes; designed for *Fran Meyers*.

You may also wish to stock this related parts: **1505, 1596.**

141319
141318



141319 (Keyed)
141318 (Non-keyed)

Unique Hook

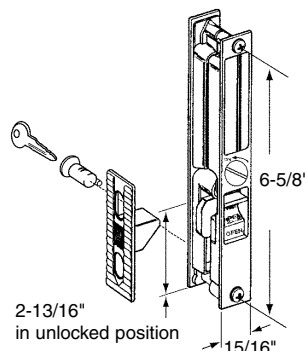
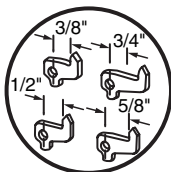
Handle Set (Chrome)

Contents: 1 inside latch and pull; 1 outside pull; 1 lock assembly; 1 set of installation fasteners; (1 locking cylinder).

Description: Diecast construction; chrome finish; diecast hook; nite latch feature; designed for *Daryl Pr 300*.

You may also wish to stock this related parts: **14419.**

142023
142252
143785



142023 (Black)
142252 (Chrome)
143785 (White)

Mid-Body Hook

Handle Set (Keyed)

Contents: 1 inside latch and pull; 1 outside pull; 1 keeper; 4 hook assortment with installation fasteners; 1 locking cylinder.

Description: 1 diecast flush inside and outside pull with key cylinder; interchangeable hooks are reversible.

Sliding Patio Door

142246 (Black)

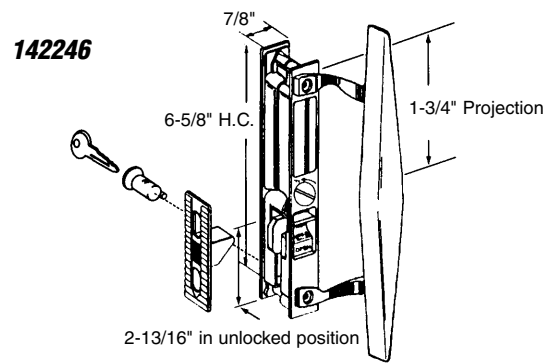
Mid-Body Hook

Handle Set (Keyed)

Contents: 1 outside pull; 1 inside latch and pull; 1 keeper; installation fasteners; 1 locking cylinder.

Description: Diecast latch with wood pull handle. Has mid-body hook and key cylinder lock.

You may also wish to stock this related parts: **141763**.



142043 (Black - no pull)

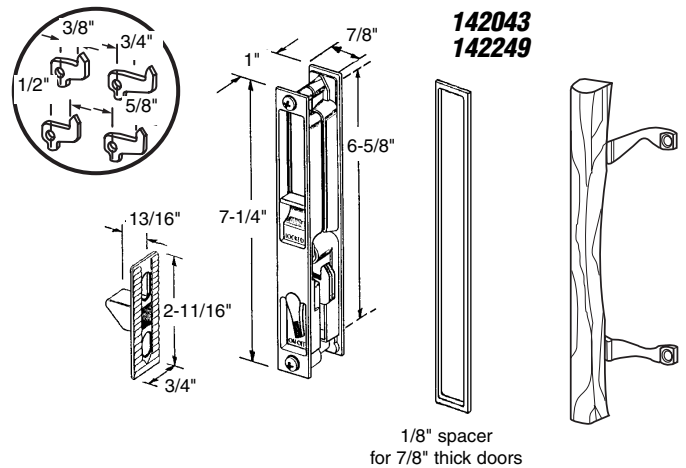
142249 (Black with wood pull)

Standard Hook

Handle Set

Contents: 1 inside latch and pull; 1 outside pull; (1 wood handle); 1 spacer; 1 keeper; **4 hook assortment**; installation fasteners.

Description: Diecast flush mount latch and keeper; 1/8 inch thick spacer designed to adapt to **Croft Metal Series 701 - 7/8 inch thick door stile**; reversible latch hook.



14436 (Chrome - no pull)

142214 (Chrome with wood pull)

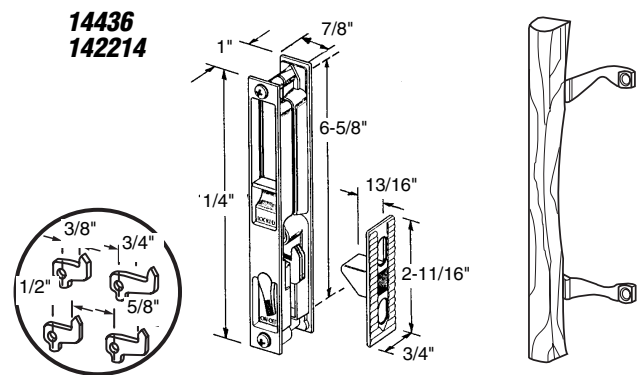
Standard Hook

Handle Set

Contents: 1 inside latch and pull; 1 outside pull; (1 wood handle); **4 hook assortment**; 1 keeper; 1 set of installation fasteners.

Description: Diecast construction; fits most popular flush lock cut-outs; reversible latch hook; **diecast** keeper.

You may also wish to stock this related parts: **141642, 141688, 141388, 142029, 14418, 152496**.



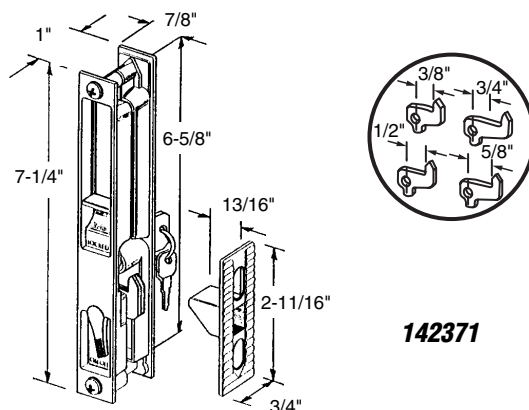
142371 (Brass plated)

Standard Hook

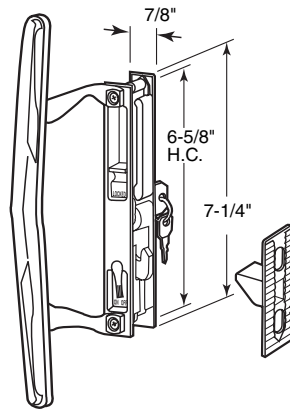
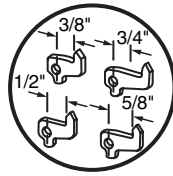
Handle Set (Keyed)

Contents: 1 inside latch and pull; 1 outside pull; **4 hook assortment**; 1 keeper; 1 locking cylinder; 1 set of installation fasteners.

Description: Diecast construction; fits most popular flush lock cut-outs; reversible latch hook; **diecast** keeper.



142256



142256 (Brass plated)
Handle Set (Keyed)

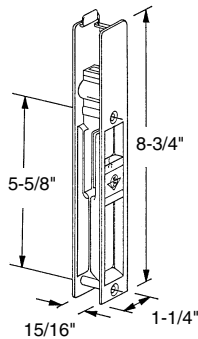
Standard Hook

Contents: 1 inside latch with deluxe pull; 1 outside pull; 1 keeper; installation fasteners; **4 hook assortment**; 1 locking cylinder with 2 keys.

Description: Diecast construction; fits most popular flush lock cut-outs; comes complete with keyed cylinder lock; **reversible** for left or right hand; complete with 4 different hook lengths.

You may also wish to stock this related parts: **141640, 141639, 14436, 141688, 141975, 14416, 141388, 142029, 14504, 14418, 141389, 152496, 152500.**

14439



14439 (Aluminum)
Latch and Pull

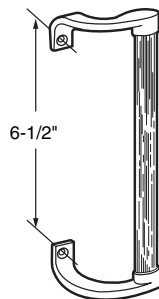
Call for Availability

Contents: 1 inside pull; 1 outside pull; installation fasteners.

Description: Diecast construction flush type **dummy trim** handle set; for *Adam Rite*.

You may wish to stock these related parts: **14438, 14605.**

142372
142373



142372 (Black)
142373 (Gray)

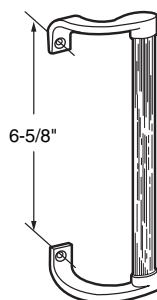
Pull

Contents: 1 handle; installation fasteners.

Description: Painted diecast end caps with **wood** handle.

You may also wish to stock these related parts: **C-1074.**

14419
141994



14419 (Black)
141994 (Chrome)

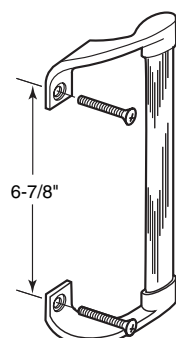
Pull

Contents: 1 inside pull; installation fasteners.

Description: Painted diecast end caps with **wood** pull.

You may also wish to stock these related parts: **141638, 141640, 14436, 141975, 14416, 142233.**

142322
14424



142322 (Black)
14424 (Gray)

Pull

Contents: 1 deluxe wood pull; installation fasteners.

Description: **Wood** handle; painted diecast end caps; 6-7/8" hole centers designed for use on *Daryl Pr 300* doors.

You may also wish to stock this related parts: **14421, 14422, 141319.**

Sliding Patio Door

141642 (Chrome)

142359 (Black)

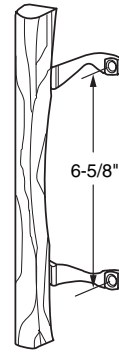
Pull

Contents: 1 inside wood pull; and installation fasteners.

Description: Deluxe wood pull; painted or plated diecast brackets.

You may also wish to stock this related parts: **141636, 141640, 14436, 141975, 14416, 151784.**

141642
142359



141763 (Chrome)

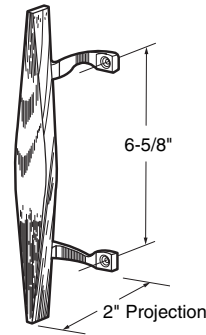
Pull

Contents: 1 inside pull; installation fasteners.

Description: Heavy duty wood pull; plated diecast brackets; used on many flush type locks.

You may also wish to stock these related parts: **141638, 141640, 14436, 141975, 14416, 142233.**

141763



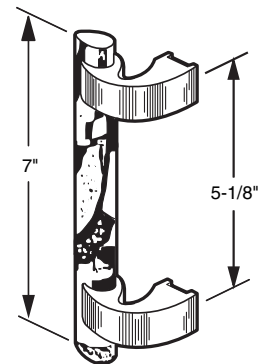
142232 (Aluminum)

Pull

Contents: 1 inside pull; installation fasteners.

Description: Universal design inside pull with clear lucite pull bar; diecast aluminum brackets on 5-1/8" hole centers.

142232



142235 (Aluminum)

Pull

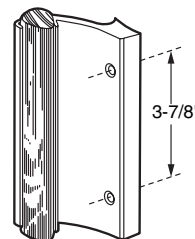
Contents: 1 inside pull; installation fasteners.

Description: Extruded aluminum pull; brushed anodized finish; wood insert; fits on *Ador/HiLite* doors.

You may also wish to stock these related parts: **1505.**

*Call for
Availability*

142235



14388 (Aluminum)

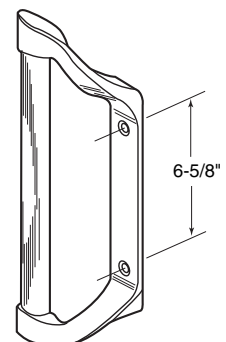
Pull

Contents: 1 handle; installation fasteners.

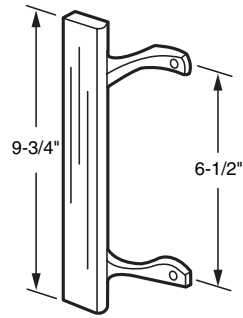
Description: Painted diecast inside pull with wood handle; fits on *Cupples* doors.

You may also wish to stock this related parts: **142215.**

14388



142267
142178

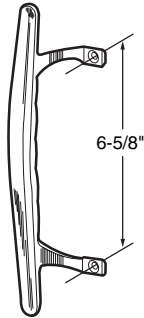


142267 (Aluminum)
142178 (Black)

Pull

Contents: 1 inside pull; installation fasteners.

Description: Hardwood pull with one piece diecast aluminum body on 6-1/2" hole centers.



141688
142374
143495

141688 (Chrome plated)
142374 (Brass plated)
143495 (White)

Pull

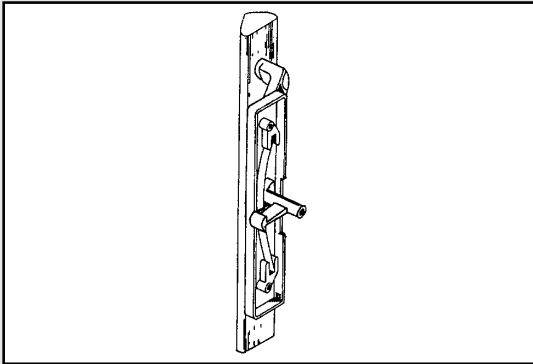
Contents: 1 inside pull; and installation fasteners.

Description: Deluxe handle; diecast aluminum construction designed to be used with flush type locks.

You may also wish to stock this related parts: **141638**, **141640**, **14436**, **141975**, **14416**.

The following pages offer a comprehensive selection of:

Internal Lock HANDLE SETS



- 14186** (Aluminum)
- 14643** (Aluminum - keyed)
- 141843** (Black)
- 142251** (Black - keyed)
- 142575** (White)
- 143491** (White - keyed)

Handle Set

Contents: 1 inside pull and latch, 1 outside pull, 1 keeper, (1 locking cylinder) installation fasteners.

Description: Diecast aluminum with wood pull, designed to fit many doors, reversible right or left hand applications, complete with keeper, automatic unlatching feature prevents accidental lockout, fits 1" thick door rails, fits on Viking doors.

You may also wish to stock these related parts: **151955, 152180.**

- 141866** (Black)
- 142574** (White)

Handle Set

Contents: 1 inside latch and pull, 1 outside pull, 1 keeper, installation fasteners.

Description: Diecast inside pull with wood handle, 3-1/2" hole centers, reversible, for left or right hand openings, automatic unlatching feature prevents 'lock-out'; for 1" thick door rails.

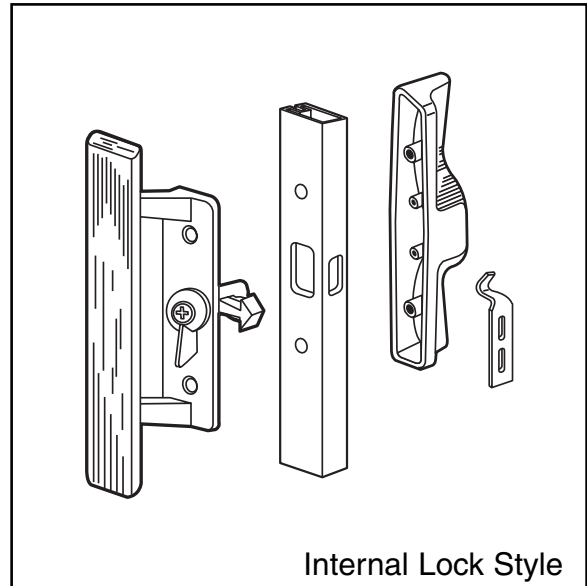
You may also wish to stock these related parts: **1505, 151955.**

- 142055** (Aluminum)

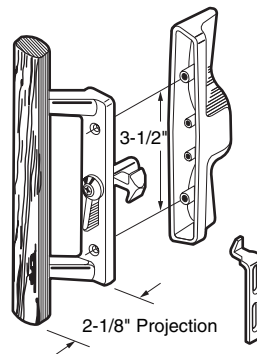
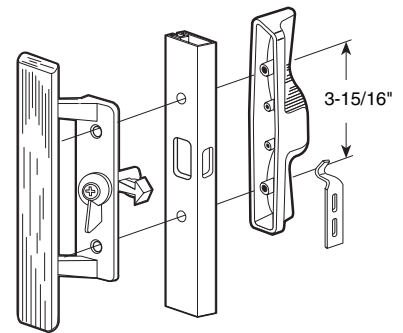
Handle Set

Contents: 1 inside pull and latch; 1 outside pull; installation fasteners.

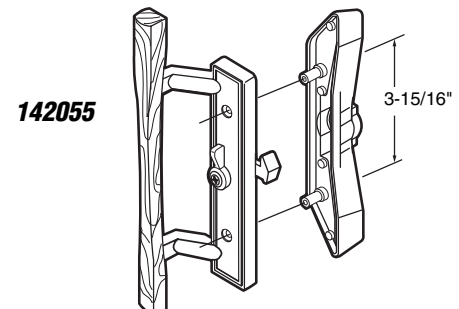
Description: Diecast inside pull with wood handle; diecast outside pull. Universal handle set for 3-15/16" hole center replacement.

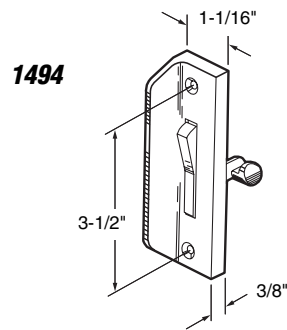


- 14186**
- 14643**
- 141843**
- 142251**
- 142575**
- 143491**



- 141866**
- 142574**





1494

1494 (Aluminum)

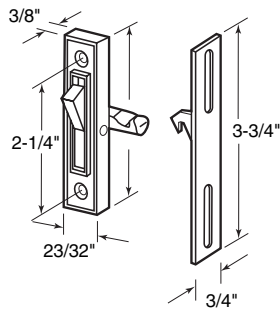
Latch and Pull

Contents: 1 latch / pull; 1 set of installation fasteners.

Description: Designed for *Trimview* doors; **diecast aluminum** housing.

You may wish to stock these related parts: **15192, 1596, 15193, 15194, 15195.**

Call for
Availability



1471

1471 (Black)

Latch

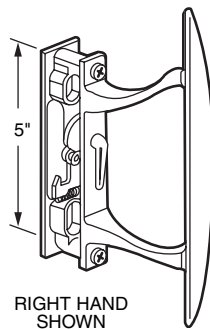
Contents: 1 latch; 1 keeper; 1 set of installation fasteners.

Description: For sliding doors where key control from outside will not be required; **plastic** escutcheon with **zinc diecast** bolt.

You may wish to stock these related parts: **15192, 1596, 15193, 15194, 15195.**

Call for
Availability

142224-L
142224-R



RIGHT HAND
SHOWN

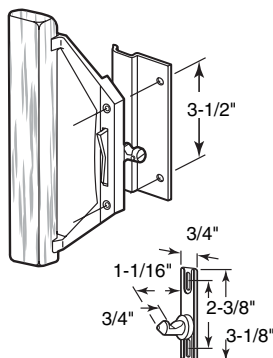
142224-L (Left)

142224-R (Right)

Handle Set (Aluminum)

Contents: 1 inside pull and latch; 1 outside pull; 1 set installation fasteners.

Description: Designed for *Tucker* doors; **diecast** inside pull with handle; **diecast** flush mount outside pull.



1495

1495 (Aluminum)

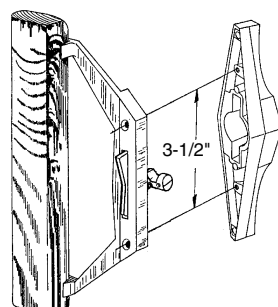
Handle Set

Contents: 1 inside pull and latch; 1 outside pull; 1 keeper; installation fasteners.

Description: **Diecast** inside pull with **wood** handle; **extruded aluminum** outside pull, designed for *Trimview* and other manufacturers.

You may also wish to stock these related parts: **13143, 151921, 15193, 15194, 15195.**

141235



141235 (Aluminum)

Handle Set

Contents: 1 inside pull and latch, 1 outside pull, installation fasteners.

Description: **Diecast** inside pull with **wood** handle, **diecast** outside pull, designed for *Burval, Trimview* and other manufacturers.

You may also wish to stock these related parts: **13143, 151921, 15193, 15194, 15195.**

The following pages offer
a comprehensive selection of:

Outside KEYED LOCKING UNIT HANDLES AND PULLS

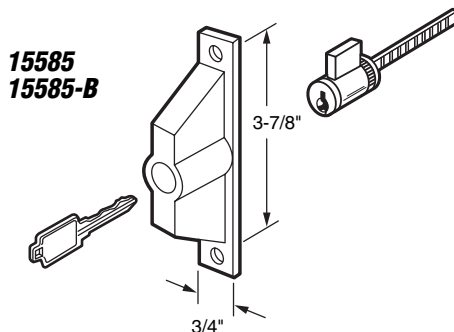
15585 (Aluminum)
15585-B (Black)

Pull and Keyed Locking Unit

Contents: 1 diecast outside pull, 1 locking cylinder with 2 keys, installation fasteners.

Description: Designed for *Ador / Hilite* doors, and used with handle sets **14183** and **14183-B**; allows key locking access from the outside; 5 pin cylinder with tailpiece, is notched with multiple break-off lengths, to fit a variety of door thicknesses.

You may also wish to stock these related parts: **131897**, **131913**, **152497**.



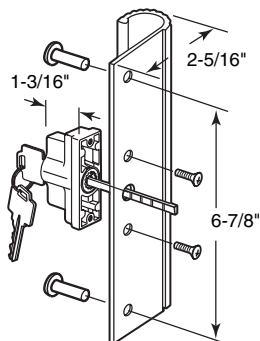
142375 (Aluminum)

Pull and Keyed Locking Unit

Contents: 1 extruded aluminum outside pull, 1 locking cylinder with 2 keys, installation fasteners.

Description: Universal design, outside pull with diecast key cylinder block.

You may also wish to stock these related parts: **14419**, **1505**, **15481**, **14426**, **14425**.



141237 (Black)
141823 (White)
142244 (Almond)

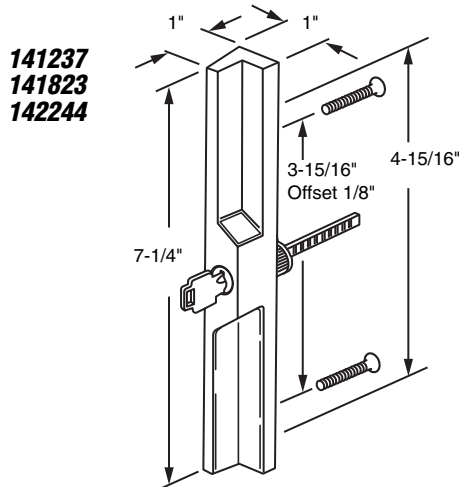
Pull and Keyed Locking Unit

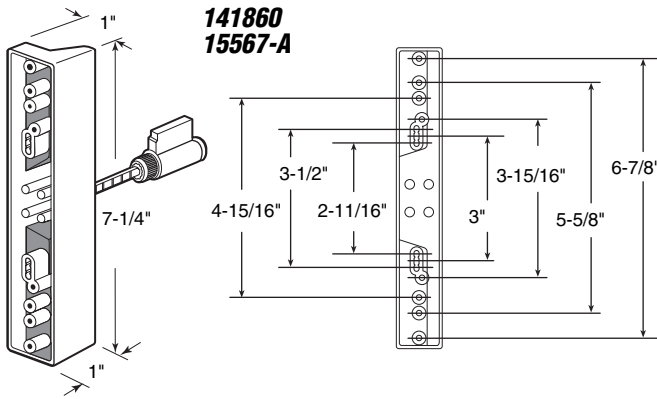
Contents: 1 painted diecast pull, 1 locking cylinder with 2 keys, installation fasteners.

Description: This multi-functional locking unit will accommodate 2 popular hole center patterns. The 4-15/16" spacing works on most surface mounted handle sets. The 3-15/16" is offset 1/8" from center and spacing was designed to work with *Adams Rite*, *W&F* and similar type mortise latches. It is non-handed and tail piece is notched for various break-off lengths.

Can be used with the following handles: **14206**, **142053**, **141706**, **141311**, **14186**, **142217**, **142218**, **142220**, **142221**, **14643**, **142226**, **142227**, **142229**, **142231**.

You may also wish to stock these related parts: **1449**, **14572-B**, **14906**, **1505**.





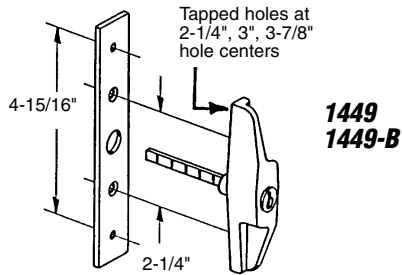
141860
15567-A

141860 (Black)
15567-A (Gray)

Pull and Keyed Locking Unit (Diecast)

Contents: 1 outside pull, 1 locking cylinder, installation fasteners.

Description: This unique product is the most versatile locking unit available. It will accommodate 7 different hole spacing patterns (see illustration). The 3-15/16" hole spacing is designed for use with mortise lock installations using *Adams Rite* and *W&F* mortise locks. These holes are offset 1/8" from that of the locking cylinder hole. The spacings allow application to a variety of handle sets.



1449
1449-B

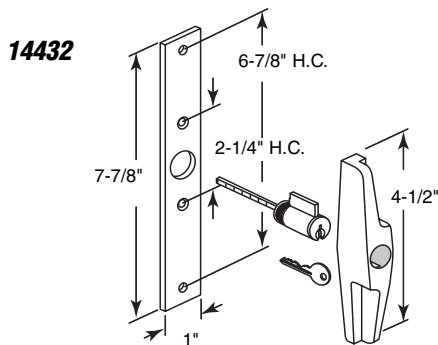
1449 (Aluminum)
1449-B (Black)

Pull and Keyed Locking Unit

Contents: 1 zinc diecast outside pull, 1 aluminum cover plate, 1 locking cylinder with 2 keys, installation fasteners.

Description: Non-handed, universal design, outside pull, cover plate predrilled at 4-15/16" and 2-1/4" hole centers. Can also be used on handles with 3" and 3-7/8" hole centers.

You may wish to stock these related parts: **14206**, **142053**, **141706**, **141311**, **14377**, **14656**, **14200-A**, **14323**, **142220**, **142221**, **142226**, **142227**, **142239**.



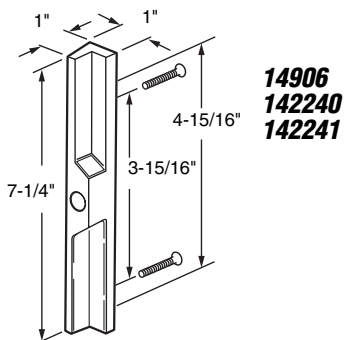
14432

14432 (Aluminum)

Pull and Keyed Locking Unit

Contents: 1 zinc diecast outside pull, 1 aluminum cover plate, 1 locking cylinder with two keys, installation fasteners.

Description: Non-handed locking unit, cover plate predrilled at 2-1/4" and 6-7/8" hole centers. Fits *Daryl* and other glass doors.



14906
142240
142241

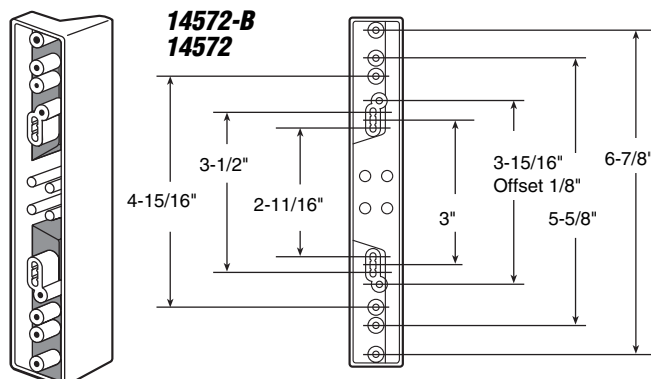
14906 (Black)
142240 (White)
142241 (Almond)

Outside Pull (Diecast)

Contents: 1 pull, 2 installation fasteners.

Description: Improves grip for opening door from outside. Designed to be used with handle sets using 3-15/16" and 4-15/16" hole spacing.

You may wish to stock these related parts: **14346**, **141237**, **141841**, **1505**.



14572-B
14572

14572-B (Black)
14572 (Gray)

Outside Pull (Diecast)

Contents: 1 pull.

Description: This versatile outside pull will work with most handle sets (except for flush mount style), it offers 7 different hole center patterns from 2-5/8" to 6-7/8".

You may wish to stock these related parts: **14906**, **1505**.

Sliding Patio Door

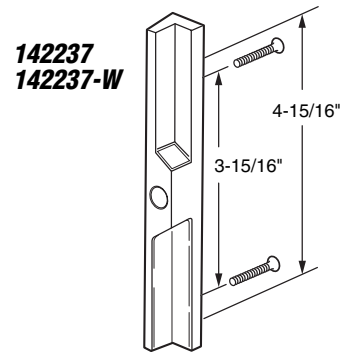
142237 (Black)
142237-W (White)

Outside Pull (Plastic)

Contents: 1 pull, installation fasteners.

Description: Improves grip for opening door from outside. Designed to be used with handle sets using 3-15/16" and 4-15/16" hole spacings.

You may wish to stock these related parts: **14346**, **141237**, **141841**, **14751**, **1505**.



142237
142237-W

14584 (Aluminum)
14584-B (Black)

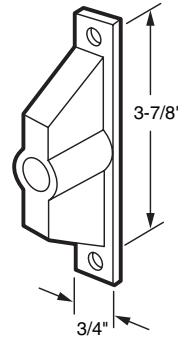
Outside Pull

Contents: 1 diecast outside pull, installation fasteners.

Description: Designed for key locking *Ador/HiLite* doors, heavy-duty unit, non-handed.

Can be used with the following handles: **14183**, **14183-B**.

You may also wish to stock this related part: **1505**.



14584
14584-B

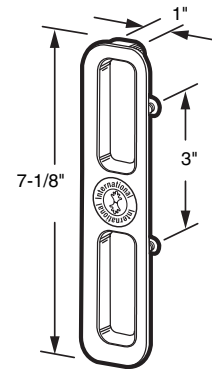
142234 (Black)
143529 (White)

Outside Pull

Contents: 1 outside pull, installation fasteners.

Description: **Diecast**, flush mount, knock out plug to accept key cylinder no. E-2000, fits on doors by *International*.

You may wish to stock these related parts: **14347**, **14538**, **14538-B**, **1505**.



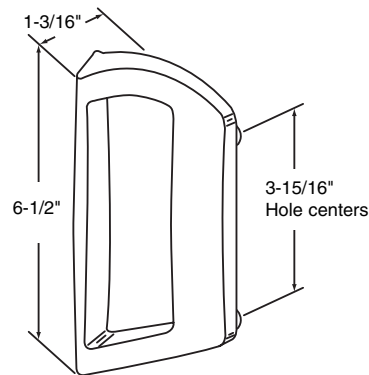
142234
143529

142245 (Black)
143531 (White)

Outside Pull

Contents: 1 outside pull.

Description: **Diecast aluminum**, outside pull, works on doors with 3-15/16" hole centers, drilled for # 8-32 machine screws.



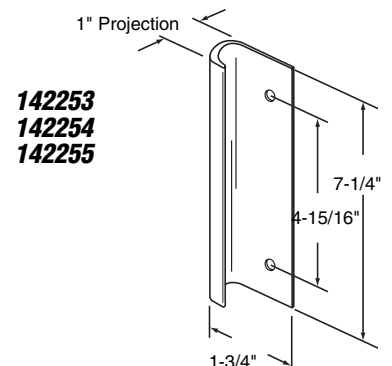
142245
143531

142253 (Aluminum)
142254 (Black)
142255 (White)

Outside Pull

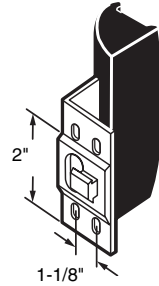
Contents: 1 outside pull, installation fasteners.

Description: Universal **extruded aluminum** outside pull for outside sliders.



142253
142254
142255

142257



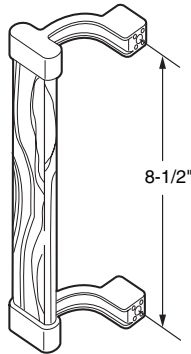
142257

Outside Pull

Contents: 1 pull.

Description: Diecast base with black plastic finger pull. Fits on doors by *Capitol Door*.

142258



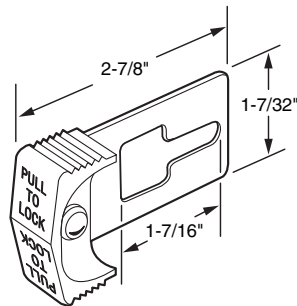
142258 (Black)

Outside Pull

Contents: 1 outside pull.

Description: Diecast aluminum, with wood insert. Fits on doors by *Capitol Door*.

142259



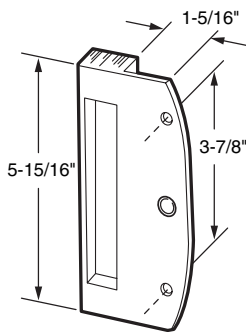
142259

Locking Bar

Contents: 1 lock bar.

Description: Stamped steel bar with plastic finger pull. Fits on doors by *Capitol Door*.

142376



142376 (Aluminum)

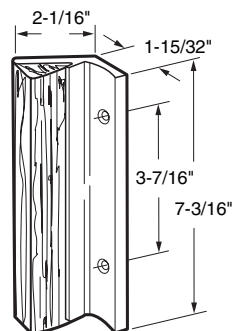
Pull

Contents: 1 pull.

Description: Diecast low profile, brushed aluminum finish, knock out plug for thumbturn when used as inside pull, 3-7/8" hole spacing.

Call for Availability

142377



142377 (Black)

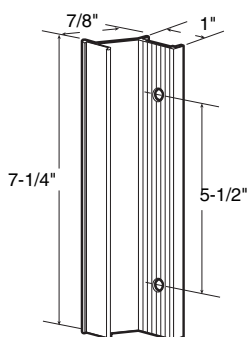
Inside Pull

Contents: 1 pull.

Description: Extruded aluminum handle with wood insert, fits many applications.

Call for Availability

142278



142378 (Aluminum)

Pull

Contents: 1 pull.

Description: Extruded aluminum handle, anodized finish.

Sliding Patio Door

142215 (Aluminum)

142216 (Black)

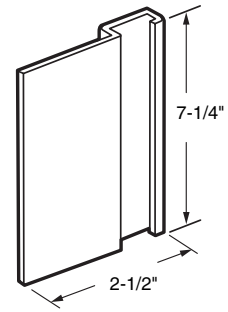
Outside Flush Pull

Contents: 1 pull; installation fasteners.

Description: Extruded aluminum pull; no holes; drill holes to meet any requirements.

You may wish to stock these related parts: **15832-C**, **15832-B**, **152484-C**, **152484-A**, **152484-B**.

142215
142216



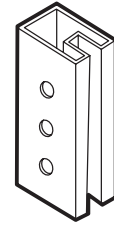
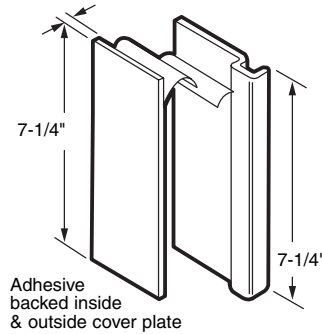
142222 (Aluminum)

142223 (Black)

Cover Plate and Pull

Contents: 1 inside cover plate; 1 outside pull.

Description: Extruded aluminum pull and plate; adhesive backed; covers up old holes in door frame to accommodate new handle; apply cover plates and redrill for new hole spacing; also used to increase thickness of frame allowing old latch fasteners to tighten.



142222
142223

To cover up holes in door frame that do not match new handle.

151641 (Shell pattern)

151649 (Boat pattern)

151650 (Flag pattern)

Safety Strips

Contents: 2 each 11" strips per package.

Description: Colorful; distinctively patterned self-adhering strips; stick to glass door without adhesive; can easily be removed for cleaning the glass, and then replaced; provides a warning that the door is closed to prevent painful and dangerous collisions with the glass panel.

151641



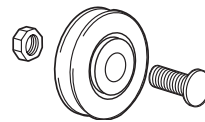
151649



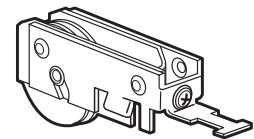
151650



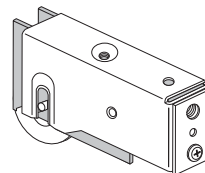
See our huge selection of rollers and roller assemblies.



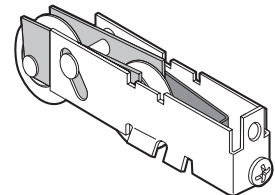
1326



13177

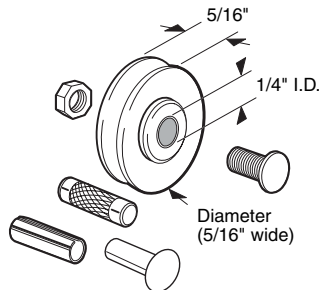
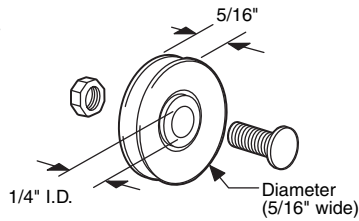


13135



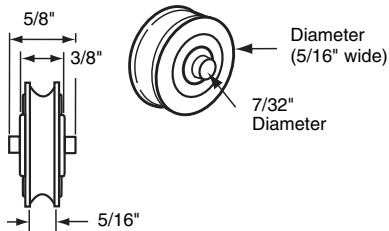
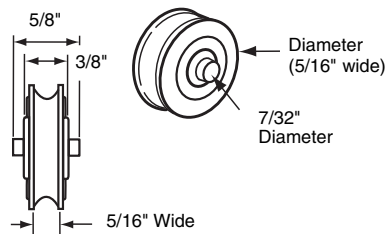
13392

1328
131895
1326



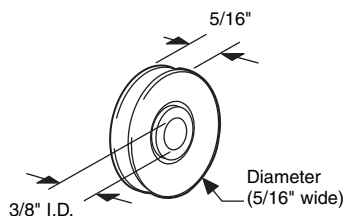
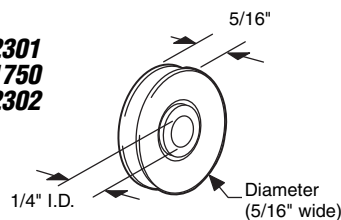
132334
132335
132336

132308 **133492**
131972 **133493**
131905 **132333**



132181
132182
132183

132301
131750
132302



13714
13848
13671
13670

1328 (1")
131895 (1-1/8")
1326 (1-1/4")

Roller (Steel)

Contents: 2 rollers; installation bolts.

Description: Steel ball bearing roller; steel inner race with 1/4" hole; center grooved; universal design.

132334 (1-1/8")
132335 (1-1/4")
132336 (1-1/2")

Roller (Steel)

Contents: 2 rollers; 2 axle pins; 2 roll pins; 2 carriage bolts with nuts.

Description: Steel ball bearing roller; steel inner race with 1/4" hole; center grooved; universal design.

132308 (1-1/8" Steel) **133492** (1-1/8" Stainless steel)
131972 (1-1/4" Steel) **133493** (1-1/4" Stainless steel)
131905 (1-1/2" Steel) **132333** (1-1/2" Stainless steel)

Roller

Contents: 2 rollers.

Description: Ball bearing roller; built-in axle; center grooved; universal design.

132181 (1-1/8")
132182 (1-1/4")
132183 (1-1/2")

Roller (Nylon)

Contents: 2 rollers.

Description: Nylon ball bearing roller; Built in axle; center grooved; universal design.

132301 (1-1/8")
131750 (1-1/4")
132302 (1-1/2")

Roller (Stainless steel)

Contents: 2 rollers.

Description: Stainless steel ball bearing rollers; used in severe weather environments where corrosion is a problem.

13714 (1-1/4" Steel)
13848 (1-1/2" Steel)
13671 (1-1/4" Nylon)
13670 (1-1/2" Nylon)

Roller or Pulley Roller

Contents: 2 roller assemblies.

Description: Ball bearing roller with 3/8" inside diameter axle hole; used for pulleys and patio doors where a 3/8" axle bolt is required.

Sliding Patio Door

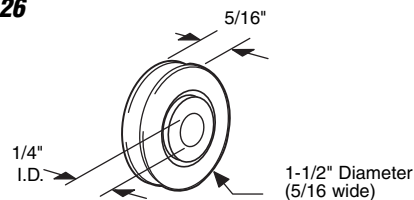
13126

Roller (Steel)

Contents: 2 rollers.

Description: Steel ball bearing roller; steel inner race with 1/4" hole; center grooved; universal design.

13126

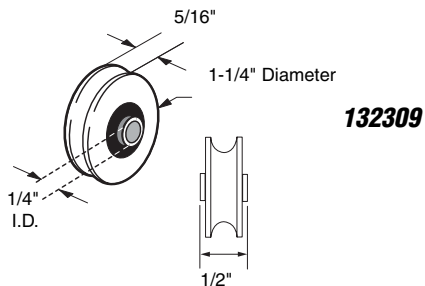


132309

Roller (Steel)

Contents: 2 rollers.

Description: Steel ball bearing roller with 1/2" wide hub. Replacement unit for Part No. 13280.



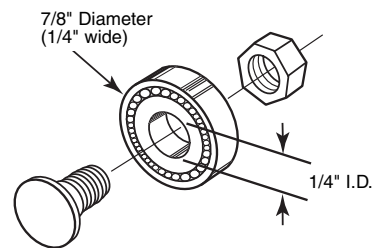
132321

Roller (Flat steel)

Contents: 2 rollers; installation bolts.

Description: Flat steel ball bearing roller; with 1/4" hole; universal design.

132321

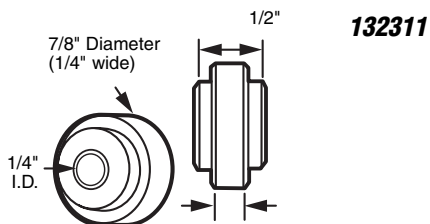


132311

Roller (Steel)

Contents: 2 rollers.

Description: Flat steel ball bearing roller with wide hub and 1/4" hole.



13562

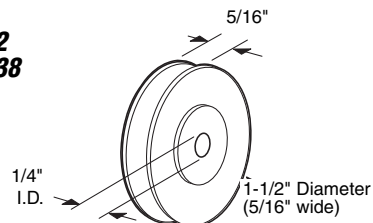
132338 (With axles; roll pins; bolts and nuts)

Roller (Nylon)

Contents: 2 rollers.

Description: Nylon ball bearing roller; steel inner race with 1/4" hole; center grooved; universal design.

13562 132338



132269

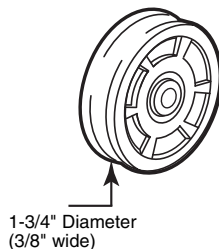
132339 (With axles; roll pins; bolts and nuts)

Roller (Nylon)

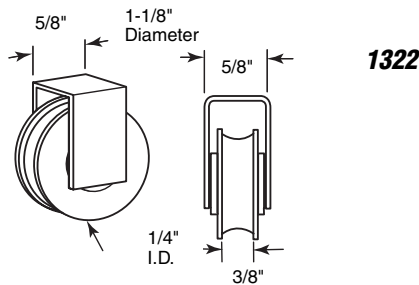
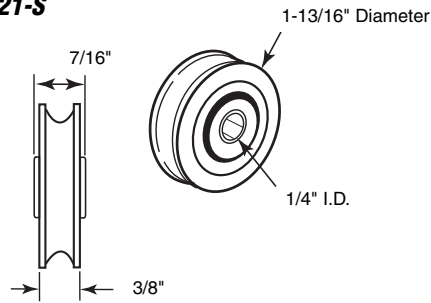
Contents: 2 rollers.

Description: Nylon ball bearing roller; steel inner race with 1/4" hole; center grooved; universal design.

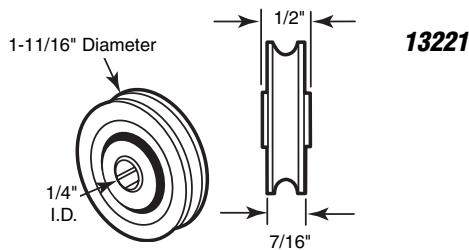
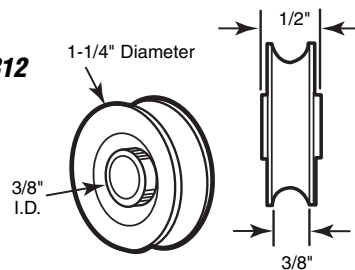
132269 132339



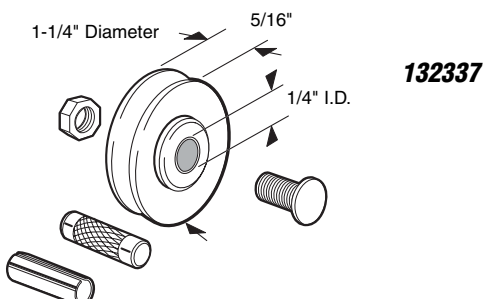
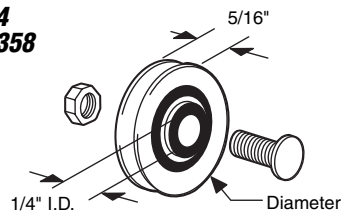
13221-S



132312



1324 132358



13221-S

Roller (Steel)

Contents: 2 rollers.

Description: Steel ball bearing roller; steel inner race; 7/16" wide with 1/4" hole; center grooved.

1322

Roller (Steel)

Contents: 2 rollers with nylon housings.

Description: Steel ball bearing roller; fits on *Horizon* and other patio door manufacturers.

132312

Roller (Nylon)

Contents: 2 rollers.

Description: Nylon roller; center grooved; universal design.

13221

Roller (Nylon)

Contents: 2 rollers.

Description: Nylon ball bearing roller with steel inner race; center grooved wheel; universal design.

132358 (1-1/8")

1324 (1-1/4")

Roller (Nylon)

Contents: 2 rollers; installation bolts.

Description: Nylon ball bearing roller; steel inner race with 1/4" hole; center grooved; universal design.

132337

Roller (Nylon)

Contents: 2 rollers; 2 axle pins; 2 roll pins; installation bolts.

Description: Nylon ball bearing roller; steel inner race with 1/4" hole; center grooved; universal design.

13294

Roller (Nylon)

Contents: 2 rollers; 2 axle assemblies w/locking screws.

Description: Nylon ball bearing roller; steel inner race with 1/4" off-center hole for vertical adjustment; universal design.

132297

Roller Assembly (Flat nylon)

Contents: 2 roller assemblies.

Description: Flat nylon ball bearing roller only; for replacement onto existing diecast top bracket; fits on *Harrow*.

132295 (Steel)

132296 (Nylon)

Roller

Contents: 2 rollers.

Description: Ball bearing roller; steel inner race with 3/16" hole; universal design.

13662

Axle Pin Assortment

Contents: 2-.625" long pins; 2-.710" long pins; 2-.810" long pins.

Description: Axle pins are zinc plated; knurled surface for tight fit; 3 most popular sizes.

132354

Door Roller Axle Repair Kit

Contents: 2 stepped axles; 2 roll pins; 2 standard 1/4" rivets; 2-1/4"-20 carriage bolts; 2-1/4"-20 hex nuts; 2- binder posts and screws.

Description: Axle repair kit for patio doors.

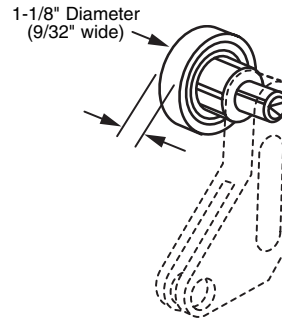
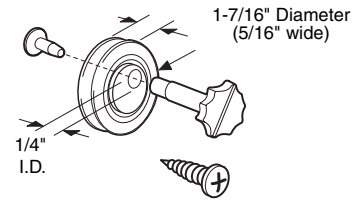
13173-S

Roller Assembly

Contents: 1 roller assembly.

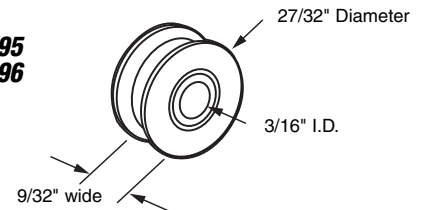
Description: Steel ball bearing roller; adjustable steel housing assembly; fits on *Sun Valley*, *Fullview*, *Glasco* and other patio door manufacturers.

13294

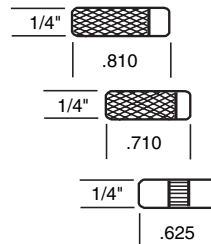


132297

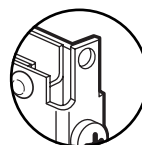
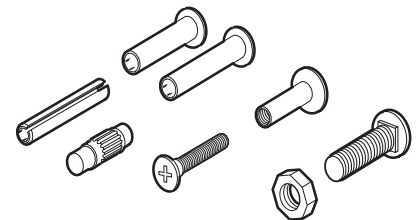
132295 132296



13662

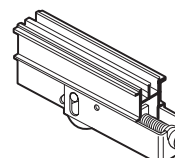


132354

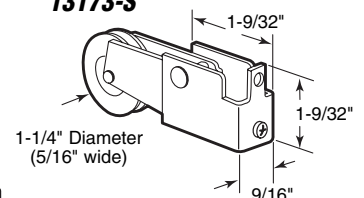


E-Tab Section

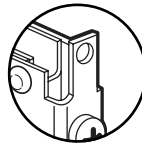
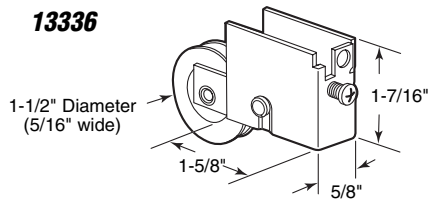
Old Style



13173-S



13336



E-Tab Section

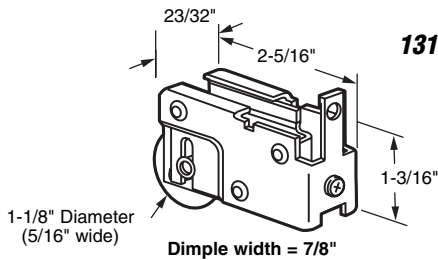
13336

Roller Assembly

Contents: 1 roller assembly.

Description: Nylon ball bearing roller; adjustable steel housing assembly; fits on *Marshall* and other patio door manufacturers.

131847



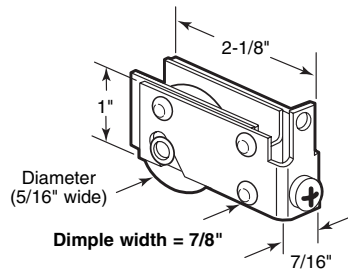
131847

Roller Assembly

Contents: 1 roller assembly.

Description: Steel ball bearing roller; adjustable steel housing assembly; used by several patio door manufacturers.

131818
131295



131818 (1-1/8" steel)

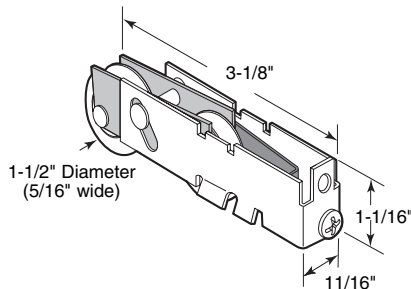
131295 (1-1/4" steel)

Roller Assembly

Contents: 1 roller assembly.

Description: Steel ball bearing roller; adjustable steel housing assembly; fits on *Viking* and other patio door manufacturers.

132279
13392



132279 (Nylon)

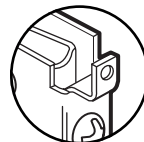
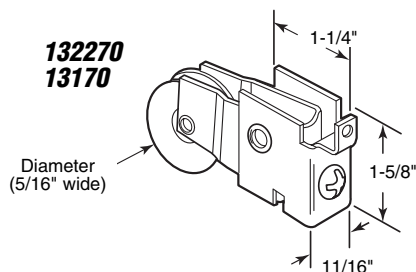
13392 (Steel)

Tandem Roller Assembly

Contents: 1 roller assembly.

Description: Tandem ball bearing rollers; adjustable steel housing assembly; fits on *Fleetwood* and other patio manufacturers.

132270
13170



F-Tab Section

132270 (1-1/4")

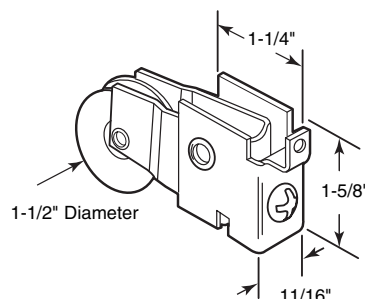
13170 (1-1/2")

Roller Assembly

Contents: 1 roller.

Description: Nylon ball bearing roller; adjustable steel housing assembly; fits on *Starlite*, *Doormaster* and other patio door manufacturers.

13170-S



13170-S

Roller Assembly

Contents: 1 roller assembly.

Description: Steel ball bearing roller; adjustable steel housing assembly; fits on *Starlite*, *Doormaster* and other patio door manufacturers. This roller is riveted on.

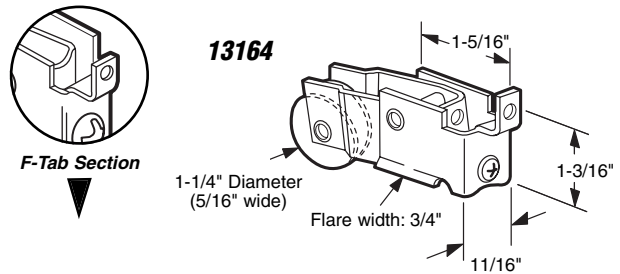
Sliding Patio Door

13164

Roller Assembly

Contents: 1 roller assembly.

Description: Steel ball bearing roller; adjustable steel housing assembly; fits on *Christian Porter* and other patio door manufacturers.

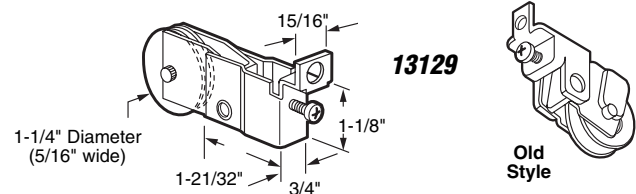


13129

Roller Assembly

Contents: 1 roller assembly.

Description: Nylon ball bearing roller; adjustable steel housing assembly; fits on *Ador/HiLite* and other patio door manufacturers; replaces old-style diecast assembly.



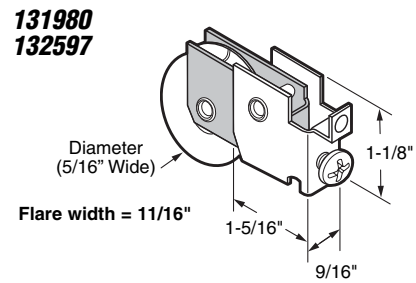
131980 (1-1/4")

132597 (1-1/2")

Roller Assembly

Contents: 1 roller assembly.

Description: Steel ball bearing roller; adjustable steel housing assembly; used by several patio door manufacturers.



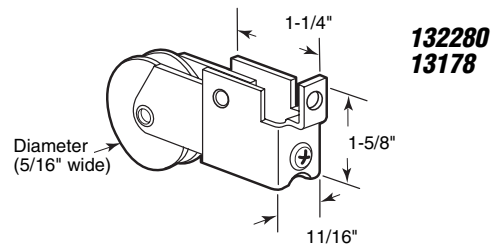
132280 (1-1/4")

13178 (1-1/2")

Roller Assembly

Contents: 1 roller assembly.

Description: Steel ball bearing roller; adjustable steel housing assembly; used by several patio door manufacturers.

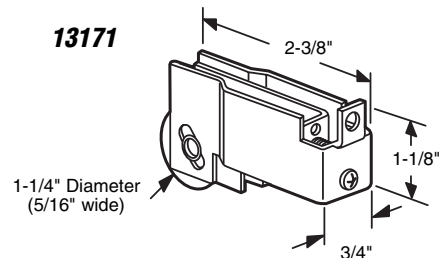


13171

Roller Assembly

Contents: 1 roller assembly.

Description: Steel ball bearing roller; adjustable steel housing assembly; fits on *Christian Porter*, *Fullview* and other patio door manufacturers.

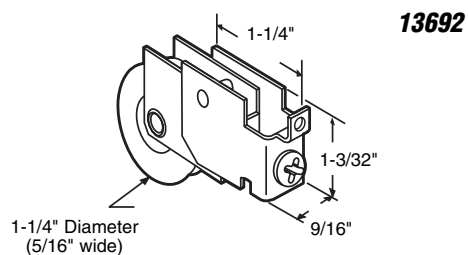


13692

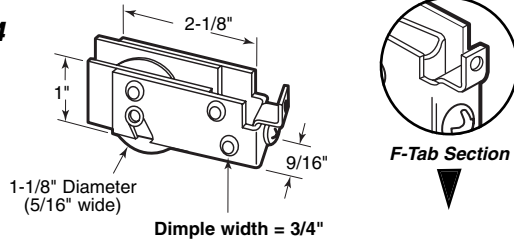
Roller Assembly

Contents: 1 roller assembly.

Description: Steel ball bearing roller; adjustable steel housing assembly. Inner and outer housing is held together with a flush pin (not a rivet); has smooth sides, no flares. Used by *Superlite Mfg.*



13394

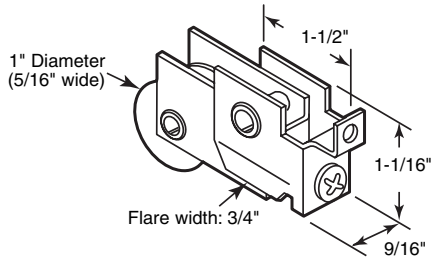


13394

Roller Assembly

Contents: 1 roller assembly.

Description: Steel ball bearing roller; adjustable steel housing assembly; used by several patio door manufacturers.



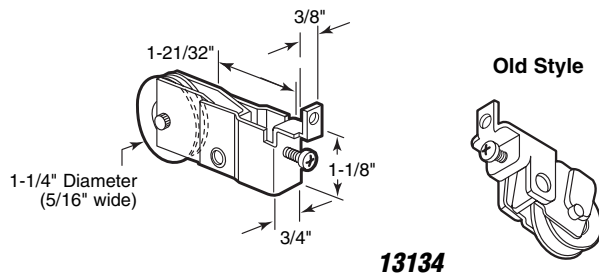
131294

131294

Roller Assembly

Contents: 1 roller assembly.

Description: Steel ball bearing roller; adjustable steel housing assembly; used by several patio door manufacturers.



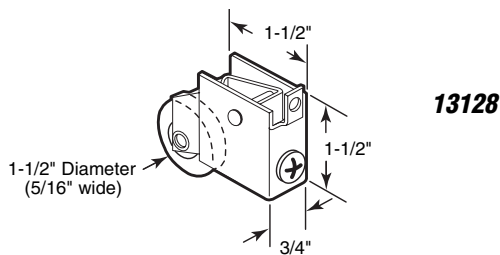
13134

13134

Roller Assembly

Contents: 1 roller assembly.

Description: Nylon ball bearing roller; adjustable steel housing assembly; replaces old-style diecast assembly; fits on *Ador/HiLite* and other patio door manufacturers.



13128

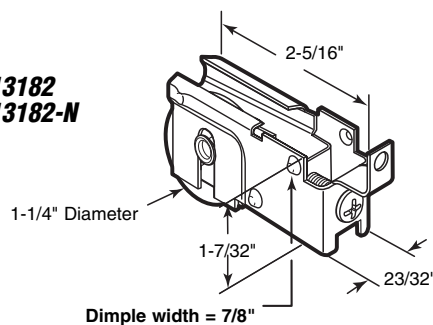
13128

Roller Assembly

Contents: 1 roller assembly.

Description: Steel ball bearing roller; adjustable steel housing assembly; fits on *Hollyview*, *Fullview* and other patio door manufacturers.

13182
13182-N



13182 (Steel)

13182-N (Nylon)

Roller Assembly

Contents: 1 roller assembly.

Description: Ball bearing roller; adjustable steel housing assembly; fits on *Northrop* and other patio door manufacturers.

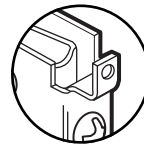
Sliding Patio Door

131489

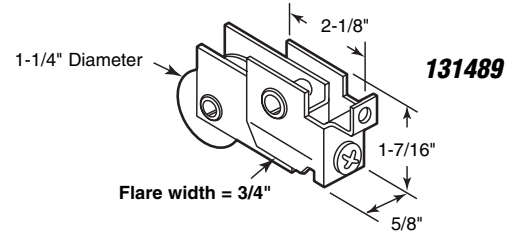
Roller Assembly

Contents: 1 roller assembly.

Description: Nylon ball bearing roller; adjustable steel housing assembly; fits on *King Mirror Door Co.*



F-Tab Section



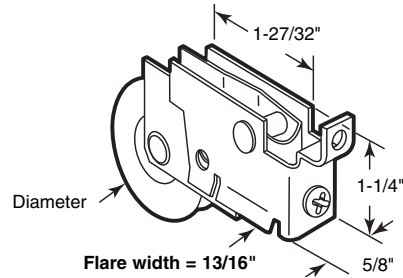
13169 (1-1/4" Steel)

133487 (1-1/2" Nylon)

Roller Assembly

Contents: 1 roller assembly.

Description: Steel ball bearing roller; adjustable steel housing assembly; used by several patio door manufacturers; will replace old style *Cupples* door roller.



13169
133487

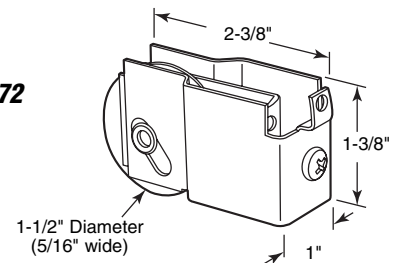
13172

Roller Assembly

Contents: 1 roller assembly.

Description: Steel ball bearing roller; adjustable steel housing assembly; fits on *Schooner* and other patio door manufacturers.

13172

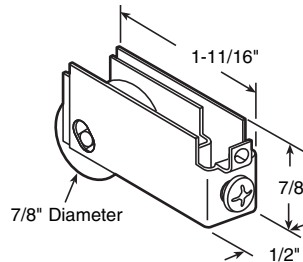


132601

Roller Assembly

Contents: 1 roller assembly.

Description: Steel ball bearing roller; adjustable steel housing assembly; fits on *Guaranteed Products* and *The Jordon Company*.



132601

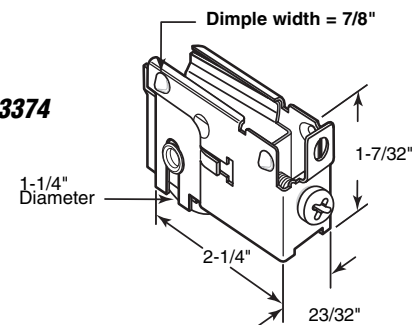
13374

Roller Assembly

Contents: 1 roller assembly.

Description: Steel ball bearing roller; adjustable steel housing; fits on *Northrop* series 600 door.

13374

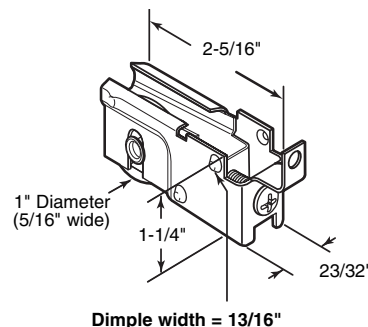


131534

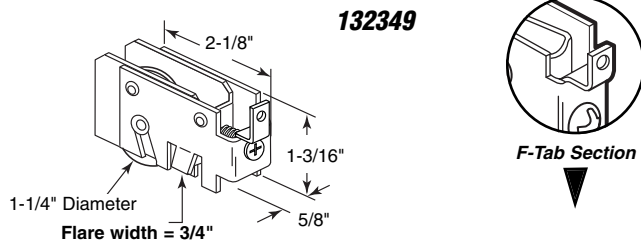
Roller Assembly

Contents: 1 roller assembly.

Description: Steel ball bearing; adjustable steel housing assembly. Used by *Guaranteed Products*.



131534

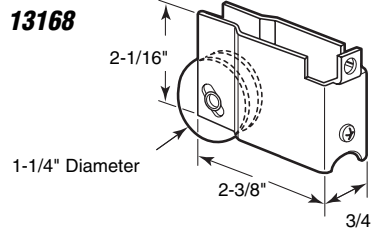


132349

Roller Assembly

Contents: 1 roller assembly.

Description: Ball bearing roller assembly; adjustable steel housing; fits on *Rylock*.

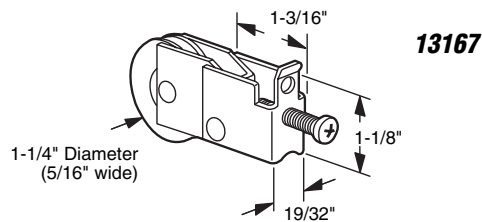


13168

Roller Assembly

Contents: 1 roller assembly.

Description: Steel ball bearing roller; adjustable steel housing assembly; fits on *Mid-Continent* and other patio door manufacturers.

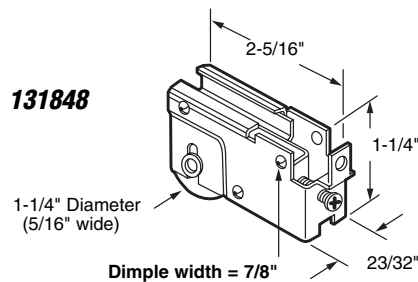


13167

Roller Assembly

Contents: 1 roller.

Description: Nylon ball bearing roller; adjustable steel housing assembly; used by several patio door manufacturers.

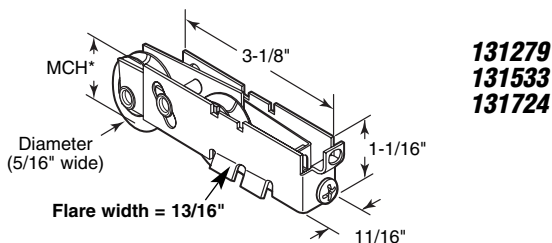


131848

Roller Assembly

Contents: 1 roller assembly.

Description: Nylon ball bearing roller; adjustable steel housing assembly; fits on *Lupton* and other patio door manufacturers.



131279 1-1/4" Steel (1-7/16" Min. Collapsed Height)

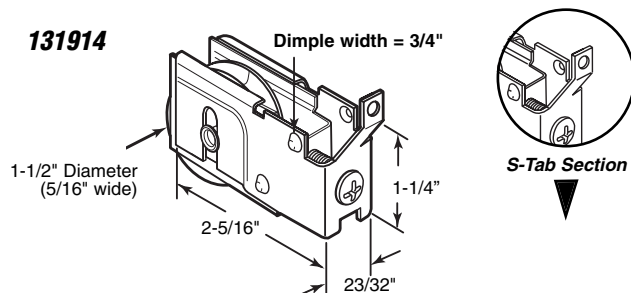
131533 1" Steel (1-1/8" Min. Collapsed Height)

131724 1-1/8" Steel (1-5/16" Min. Collapsed Height)

Tandem Roller Assembly

Contents: 1 roller assembly.

Description: Tandem steel ball bearing rollers; adjustable steel housing assembly; fits on *Guaranteed Products* and other patio door manufacturers.



131914

Roller Assembly

Contents: 1 roller assembly.

Description: Nylon ball bearing roller; adjustable steel housing assembly.

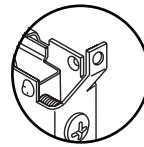
Sliding Patio Door

132355

Roller Assembly

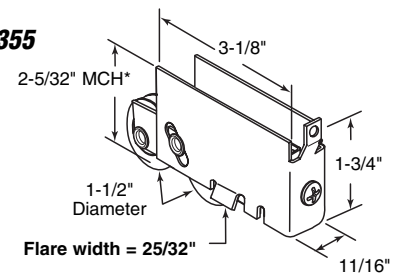
Contents: 1 roller assembly.

Description: Tandem steel ball bearing roller assembly; adjustable steel housing; fits on *Fleetwood* on the high-rise series.



S-Tab Section

132355

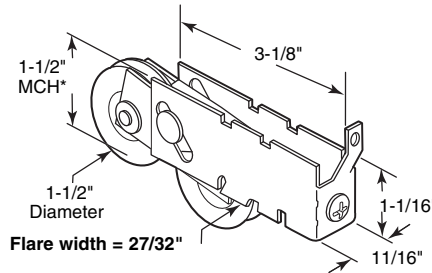


131953

Roller Assembly

Contents: 1 roller assembly.

Description: Tandem nylon ball bearing rollers; adjustable steel housing assembly.



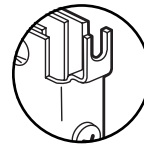
131953

131846

Roller Assembly

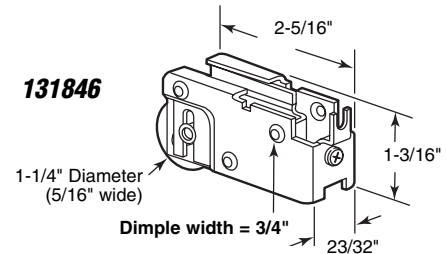
Contents: 1 roller assembly.

Description: Steel ball bearing roller; adjustable steel housing; fits on *Pacific* and other patio door manufacturers.



C-Tab Section

131846

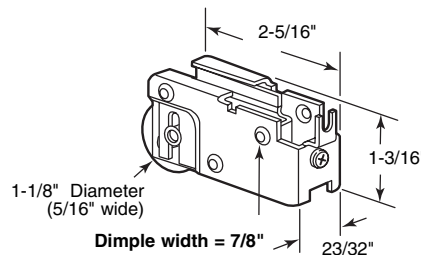


13563

Roller Assembly

Contents: 1 roller assembly.

Description: Steel ball bearing roller; adjustable steel housing assembly; fits on *Solar Ind.* and other patio door manufacturers.



13563

131305 (1-1/2" Steel)

132108 (1-1/2" Nylon)

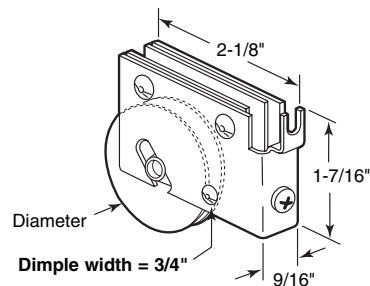
131303 (1-1/4" Steel)

131433 (1-1/4" Nylon)

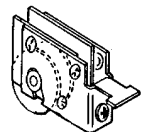
Roller Assembly

Contents: 1 roller assembly.

Description: Ball bearing roller; adjustable steel housing assembly; fits on *Window Master* and other patio door manufacturers.



131305
132108
131303
131433



Old Style

132595 (Nylon)

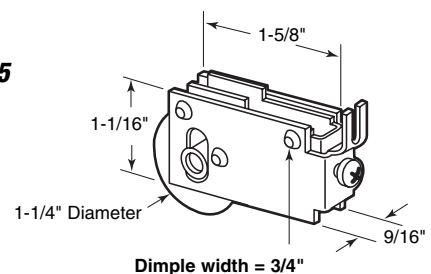
13811 (Steel)

Roller Assembly

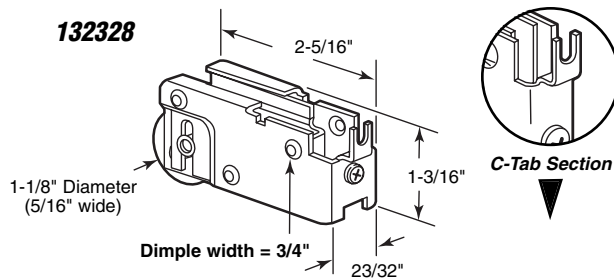
Contents: 1 roller assembly.

Description: Ball bearing roller assembly; adjustable steel housing; fits on *Ador/HiLite* on the high-rise series.

132595
13811



132328



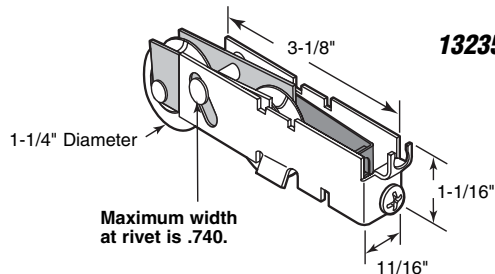
132328

Roller Assembly

Contents: 1 roller assembly.

Description: Steel ball bearing roller; adjustable steel housing assembly; over all thickness $3/4$ " fits on *Merzon Aluminum Products*.

132357



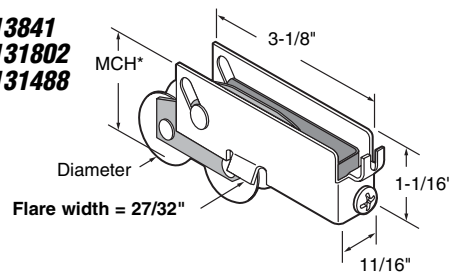
132357

Tandem Roller Assembly

Contents: 1 roller assembly.

Description: Tandem steel ball bearing roller; adjustable steel housing assembly; maximum width at rivet is $.740$.

13841
131802
131488



13841 1-1/8" Steel (1-5/16" Min. Collapsed Height)

131802 1-1/4" Steel (1-7/16" Min. Collapsed Height)

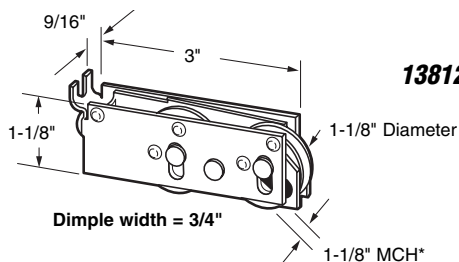
131488 1-1/4" Nylon (1-7/16" Min. Collapsed Height)

Tandem Roller Assembly

Contents: 1 roller assembly.

Description: Tandem ball bearing rollers; adjustable steel housing assembly; fits on *Pacific* and other patio door manufacturers.

13812



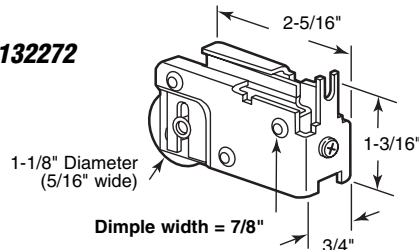
13812

Tandem Roller Assembly

Contents: 1 roller assembly.

Description: Tandem steel ball bearing rollers; adjustable steel housing assembly.

132272



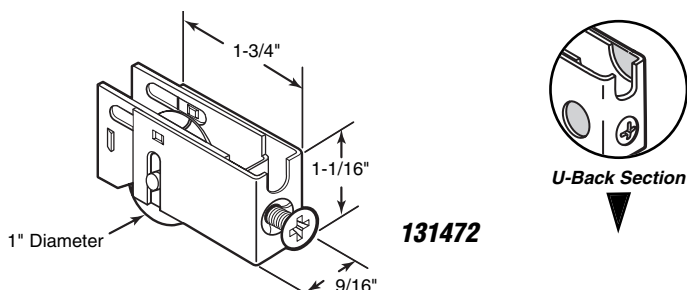
132272

Roller Assembly

Contents: 1 roller assembly.

Description: Steel ball bearing roller; adjustable steel housing assembly; fits on *Northrop*.

131472



131472

Roller Assembly

Contents: 1 roller assembly.

Description: Steel ball bearing roller; adjustable steel housing assembly;

Sliding Patio Door

131454

Roller Assembly

Contents: 1 roller assembly.

Description: 1" x 1/4" flat steel ball bearing roller assembly; adjustable steel housing.

132324

Roller Assembly

Contents: 1 roller assembly.

Description: Nylon ball bearing roller; adjustable steel housing; fits on "Patio Enclosures".

131455

Roller Assembly

Contents: 1 roller assembly.

Description: Steel ball bearing roller; adjustable steel housing assembly; fits on several patio door manufacturers.

132320

Roller Assembly

Contents: 1 roller assembly.

Description: Steel ball bearing roller; adjustable steel housing assembly; fits on **Better-Bilt** and other manufacturers.

131471 (1-1/4" Steel)

132173 (1-1/2" Steel)

132172 (1-1/4" Nylon)

132174 (1-1/2" Nylon)

Roller Assembly

Contents: 1 roller assembly.

Description: Ball bearing roller; adjustable steel housing assembly; fits on **Better-Bilt** and other patio door manufacturers.

132325

Roller Assembly

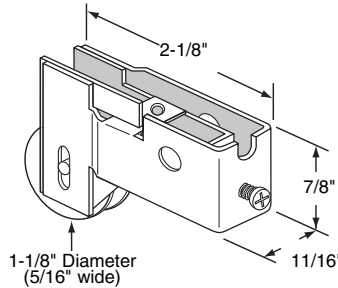
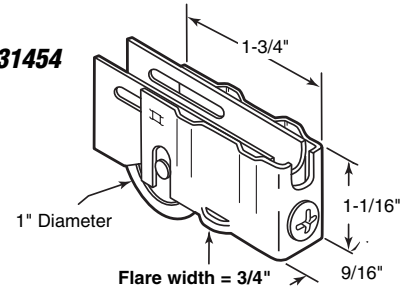
Contents: 1 roller assembly.

Description: 1" flat steel ball bearing roller; adjustable steel housing assembly; fits on **Capitol Door**.



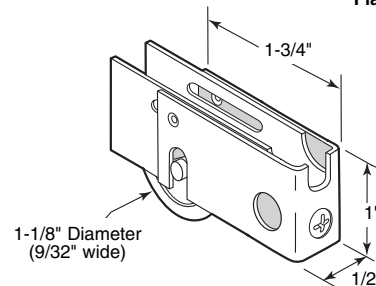
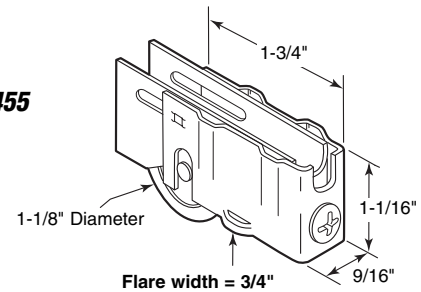
U-Back Section

131454



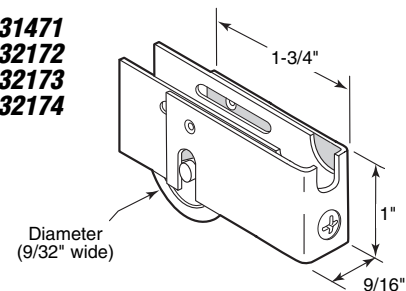
132324

131455

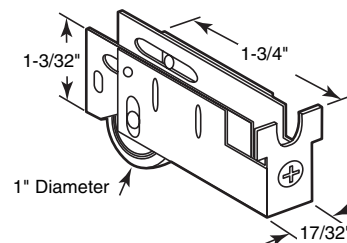


132320

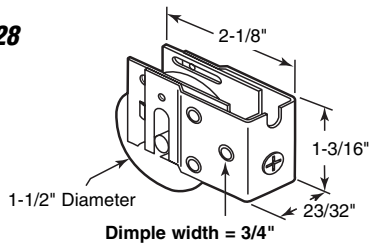
131471
132172
132173
132174



132325



132028

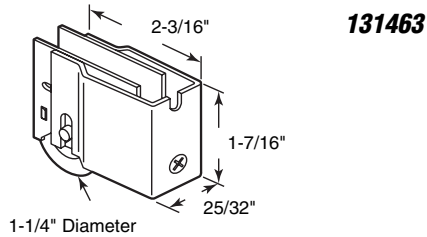


132028

Roller Assembly

Contents: 1 roller assembly.

Description: Steel ball bearing roller; adjustable steel housing assembly; fits on *Laurell Aluminum* and other patio door manufacturers.



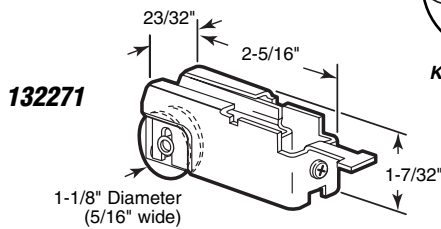
131463

Roller Assembly

Contents: 1 roller assembly.

Description: Steel ball bearing roller; adjustable steel housing assembly; fits on *Crown Manufacturing* and *Penco*.

1-1/4" Diameter



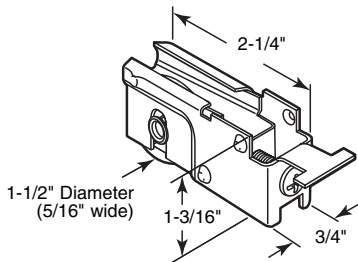
132271

Roller Assembly

Contents: 1 roller assembly.

Description: Steel ball bearing roller; adjustable steel housing assembly; fits on *T.M Cobb* and other patio door manufacturers.

1-1/8" Diameter
(5/16" wide)



Dimple width = 13/16"

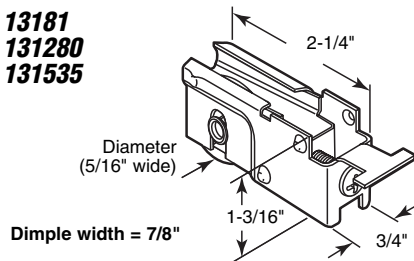
131896 (Steel)
13337 (Nylon)

Roller Assembly

Contents: 1 roller assembly.

Description: Ball bearing roller; adjustable steel housing assembly; fits on *Marshall* and other patio door manufacturers.

13181
131280
131535

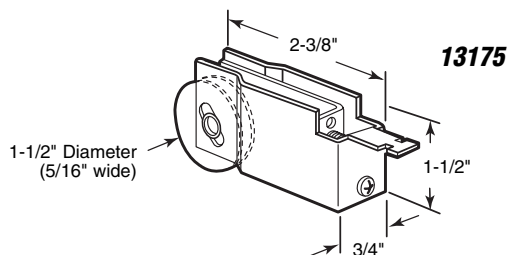


13181 (1-1/8" Steel)
131280 (1-1/4" Nylon)
131535 (1" Steel)

Roller Assembly

Contents: 1 roller assembly.

Description: Ball bearing roller; adjustable steel housing assembly; used by several patio door manufacturers.



13175

Roller Assembly

Contents: 1 roller assembly.

Description: Nylon ball bearing roller; adjustable steel housing assembly; fits on *Doormaster* and other patio door manufacturers.

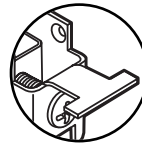
Sliding Patio Door

13177-S (Steel)
13177 (Nylon)

Roller Assembly

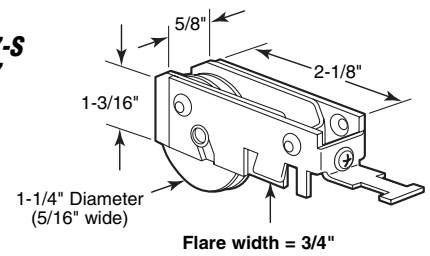
Contents: 1 roller assembly.

Description: Ball bearing roller; adjustable steel housing; fits on *International* and other patio door manufacturers.



K-Tab Section

13177-S
13177

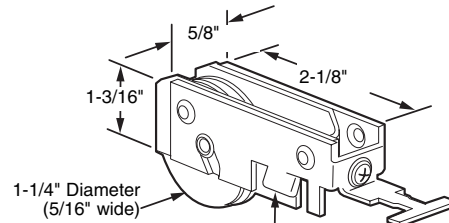


132327 (Nylon)
131729 (Stainless steel)

Roller Assembly

Contents: 1 roller assembly.

Description: Ball bearing roller; adjustable aluminum housing assembly to resist corrosion; fits on *International* and other patio door manufacturers.



Flare width = 3/4"

132327
131729

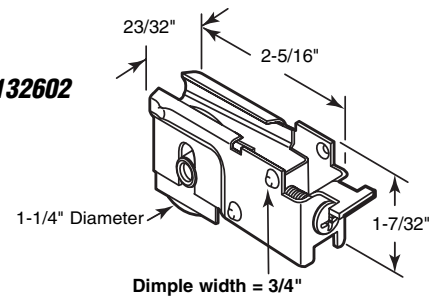
132602

Roller Assembly

Contents: 1 roller assembly.

Description: Steel ball bearing roller; adjustable steel housing; used by several patio door manufacturers.

132602



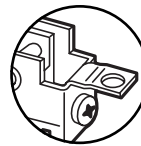
Dimple width = 3/4"

13176

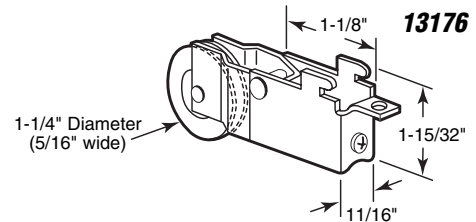
Roller Assembly

Contents: 1 roller assembly.

Description: Nylon ball bearing roller; adjustable steel housing assembly; used by several patio door manufacturers.



B-Tab Section



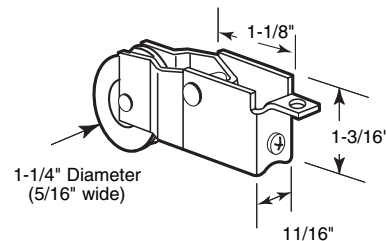
13176

13174

Roller Assembly

Contents: 1 roller assembly.

Description: Nylon ball bearing roller; adjustable steel housing assembly; fits on *Rebco-West*.



13174

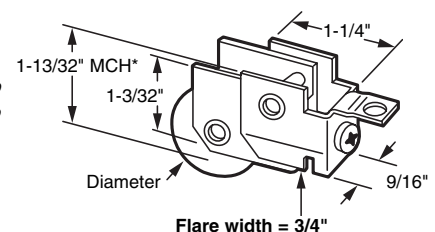
131292 (1-1/8" Steel)
131293 (1-1/2" Steel)

Roller Assembly

Contents: 1 roller assembly.

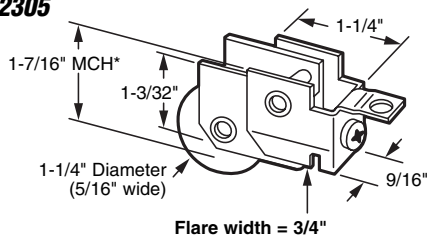
Description: Steel ball bearing roller; adjustable steel housing.

131292
131293



Flare width = 3/4"

132304
132305

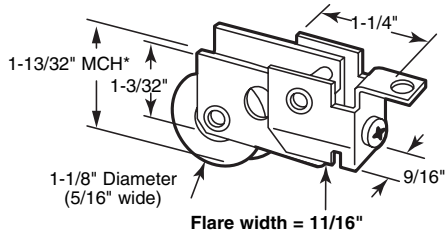


132304 (Steel)
132305 (Nylon)

Roller Assembly

Contents: 1 roller assembly.

Description: Ball bearing roller; adjustable steel housing assembly.



13393

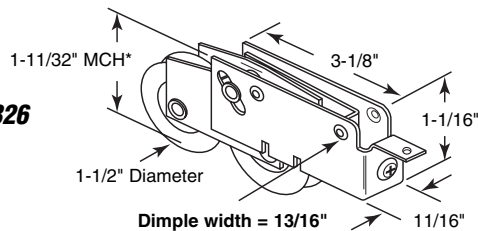
13393

Roller Assembly

Contents: 1 roller assembly.

Description: Steel ball bearing roller; adjustable steel housing assembly; used by many mirror and wardrobe manufacturers.

132326

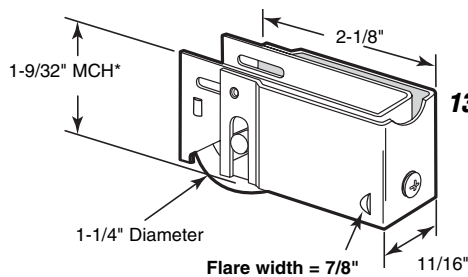


132326

Tandem Roller Assembly

Contents: 1 roller assembly.

Description: Tandem steel ball bearing rollers; adjustable steel housing assembly; fits on *Louisiana-Pacific Corp.* and other patio door manufacturers.



132348

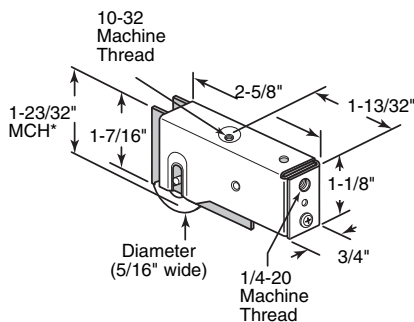
132348

Roller Assembly

Contents: 1 roller assembly.

Description: Steel ball bearing roller; adjustable steel housing assembly.

13135
13135-1.25
131282
131283



13135 1-1/2" Steel (1-19/32" Min. Collapsed Height)

13135-1.25 1-1/4" Steel (1-1/2" Min. Collapsed Height)

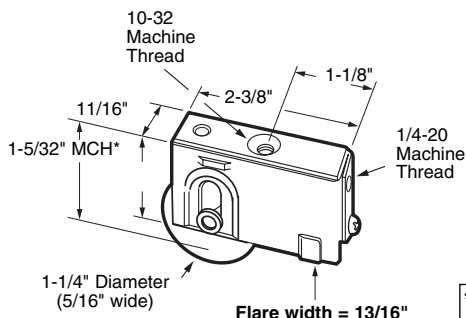
131282 1-1/2" Nylon (1-19/32" Min. Collapsed Height)

131283 1-1/4" Nylon (1-5/8" Min. Collapsed Height)

Roller Assembly

Contents: 1 roller assembly.

Description: Ball bearing roller; adjustable steel housing assembly; used by many patio door manufacturers.



132276

132276

Roller Assembly

Contents: 1 roller assembly.

Description: Steel ball bearing roller; adjustable steel housing assembly; fits on several manufacturers.

***Minimum Collapsed Height**

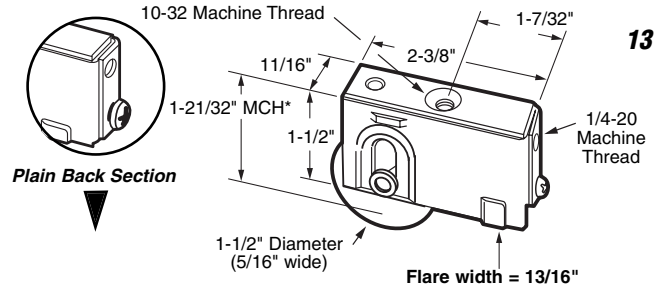
Sliding Patio Door

131246

Roller Assembly

Contents: 1 roller assembly.

Description: Steel ball bearing roller; adjustable steel housing assembly; used by several manufacturers.



131246

13728 1-1/2" Steel (1-23/32" Min. Collapsed Height)

131277 1-1/4" Steel (1-21/32" Min. Collapsed Height)

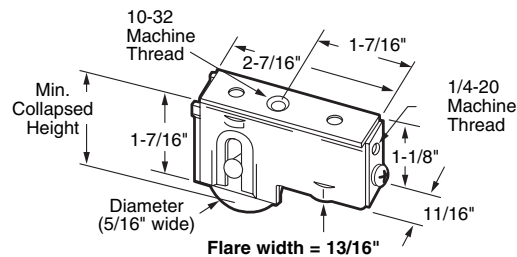
132319 1-1/8" Steel (1-19/32" Min. Collapsed Height)

131278 1-1/4" Nylon (1-23/32" Min. Collapsed Height)

Roller Assembly

Contents: 1 roller assembly.

Description: Ball bearing roller; adjustable steel housing assembly; fits on *Fleetwood* and other patio door manufacturers.



13728
131277
132319
131278

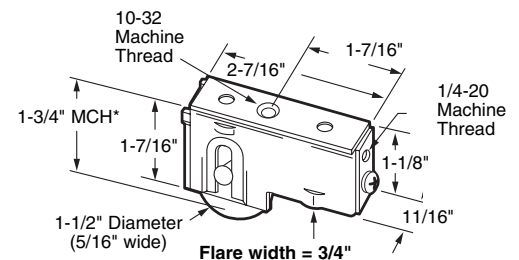
132275

Roller Assembly

Contents: 1 roller assembly.

Description: Steel ball bearing roller; adjustable steel housing assembly; fits on *Fleetwood*, *Blomberg* and other manufacturers.

132275



131479 1-1/2" Steel (1-11/16" Min. Collapsed Height)

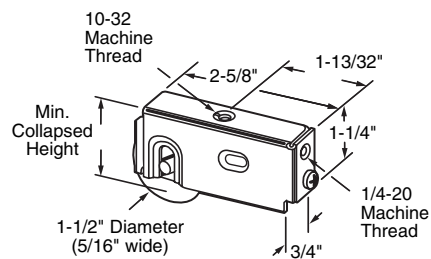
132282 1-1/2" Nylon (1-21/32" Min. Collapsed Height)

133818 1-1/4" Steel (1-9/16" Min. Collapsed Height)

Roller Assembly

Contents: 1 roller assembly.

Description: Ball bearing roller; adjustable steel housing assembly; fits on *Daryl*, *Patio Magic* and other patio door manufacturers.



131479
132282
133818

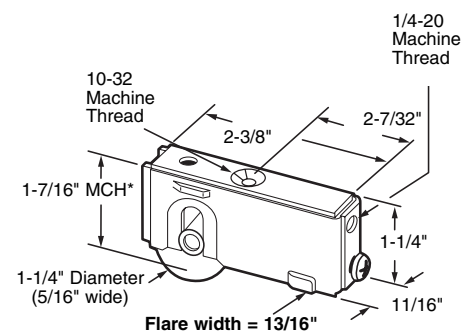
131911

Roller Assembly

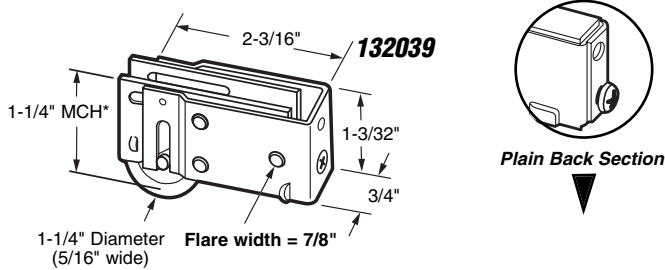
Contents: 1 roller assembly.

Description: Steel ball bearing roller; adjustable steel housing assembly; fits on *Blomberg* and other patio door manufacturers.

131911



***Minimum Collapsed Height**



132039

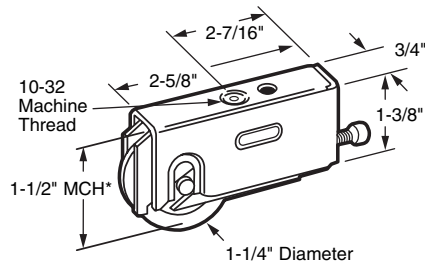
Roller Assembly

Contents: 1 roller assembly.

Description: Steel ball bearing roller; adjustable steel housing assembly; used by several patio door manufacturers.

You may also wish to stock these related parts: **131479**.

131476
132315



131476 (Steel)

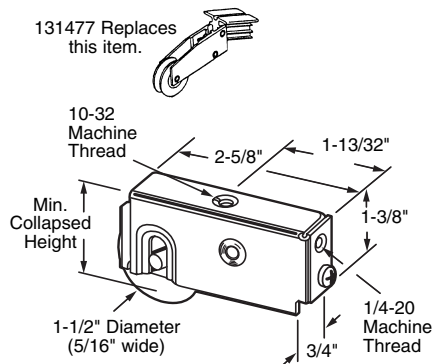
132315 (Nylon)

Roller Assembly

Contents: 1 roller assembly.

Description: Ball bearing roller; adjustable steel housing. Used by many patio door manufacturers.

131477 Replaces this item.



131477
131478
132345

131477 Steel (1-12" Min. Collapsed Height)

131478 Nylon (1-11/16" Min. Collapsed Height)

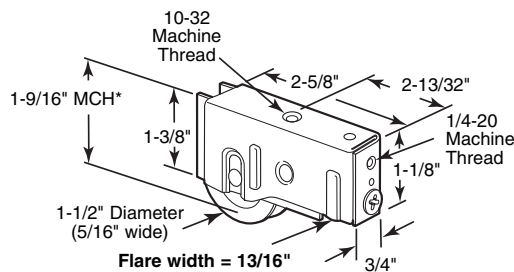
132345 Stainless steel roller and housing (1-11/16" Min. Collapsed Height)

Roller Assembly

Contents: 1 roller assembly.

Description: Ball bearing roller; adjustable steel housing assembly; fits on *Air Control*, *Howmet*, *Krestmark*, and many other patio door manufacturers. Stainless steel used in severe weather conditions.

132353

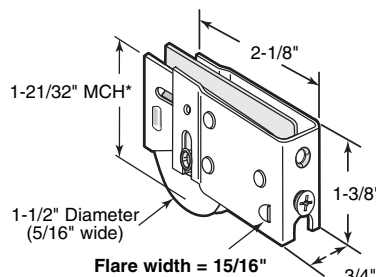


132353

Roller Assembly

Contents: 1 roller assembly.

Description: Steel ball bearing roller; adjustable steel housing assembly; fits on *Keller* and other patio door manufacturers.



131464

131464

Roller Assembly

Contents: 1 roller assembly.

Description: Steel ball bearing roller; adjustable steel housing; fits on *Harcar*, *Bee Cee* and other patio door manufacturers.

*Minimum Collapsed Height

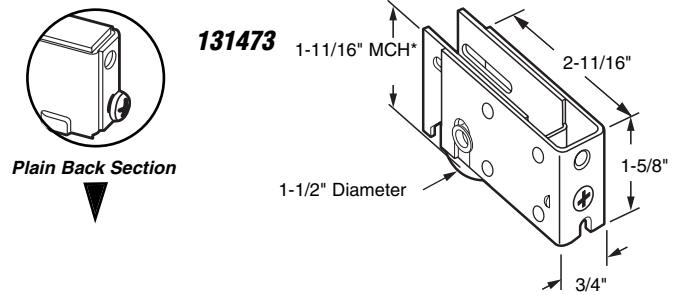
Sliding Patio Door

131473

Roller Assembly

Contents: 1 roller assembly.

Description: Steel ball bearing roller; adjustable steel housing assembly; fits on *Keller Windows* and other patio door manufacturers.

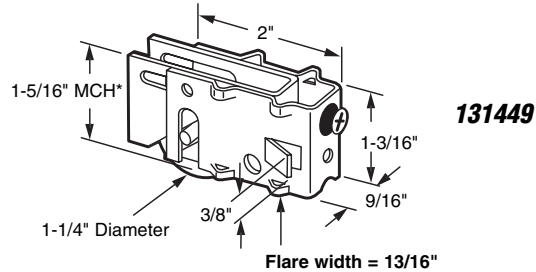


131449

Roller Assembly

Contents: 1 roller assembly.

Description: Steel ball bearing roller; adjustable steel housing assembly; fits on *Nu-Air, Bennings, Scotty* and many other patio door manufacturers.

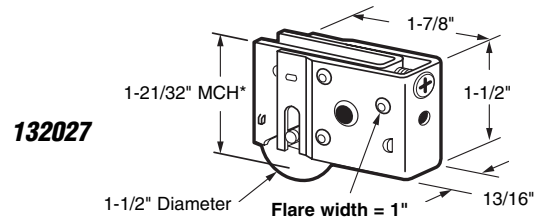


132027

Roller Assembly

Contents: 1 roller assembly.

Description: Steel ball bearing roller; adjustable steel housing; fits on *Pan Am* and other patio door manufacturers.

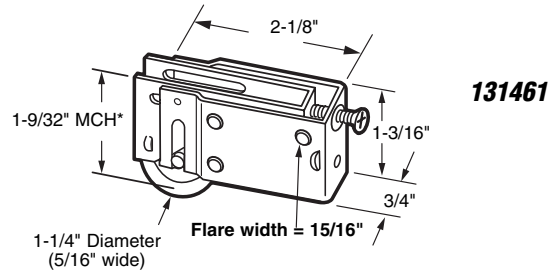


131461

Roller Assembly

Contents: 1 roller assembly.

Description: Steel ball bearing roller; adjustable steel housing assembly; fits on *Harcar, Bee Cee* and other patio door manufacturers.

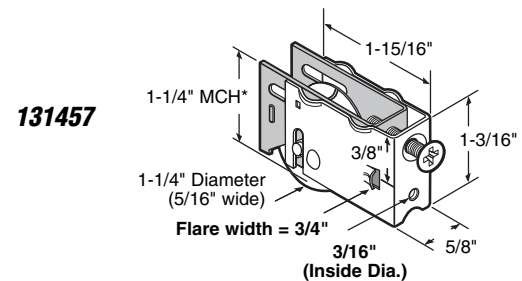


131457

Roller Assembly

Contents: 1 roller assembly.

Description: Steel ball bearing roller; adjustable steel housing assembly.

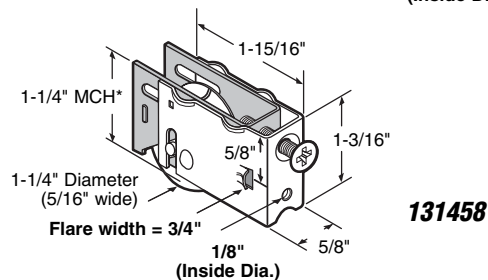


131458

Roller Assembly

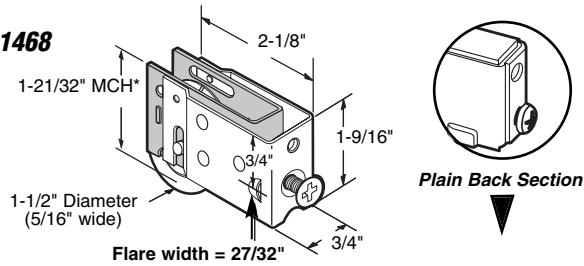
Contents: 1 roller assembly.

Description: Steel bearing roller; adjustable steel housing assembly.



***Minimum Collapsed Height**

131468

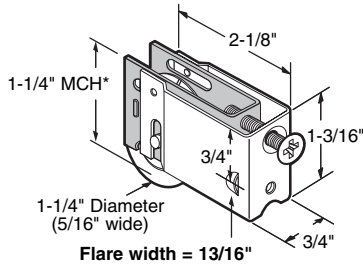


131468

Roller Assembly

Contents: 1 roller assembly.

Description: Steel ball bearing roller; adjustable steel housing assembly.



131460

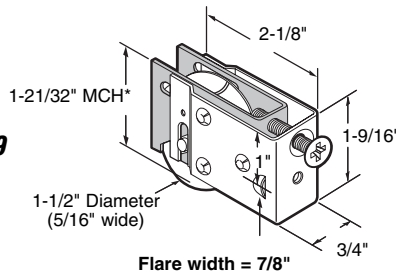
131460

Roller Assembly

Contents: 1 roller assembly.

Description: Steel ball bearing roller; adjustable steel housing assembly.

131469

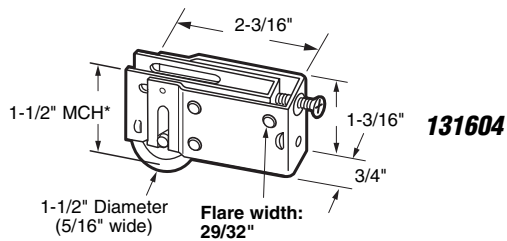


131469

Roller Assembly

Contents: 1 roller assembly.

Description: Steel ball bearing roller; adjustable steel housing assembly.



131604

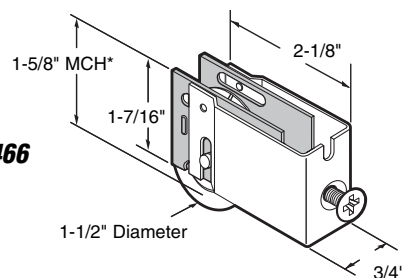
131604

Roller Assembly

Contents: 1 roller assembly.

Description: Steel ball bearing roller; adjustable steel housing assembly.

131466

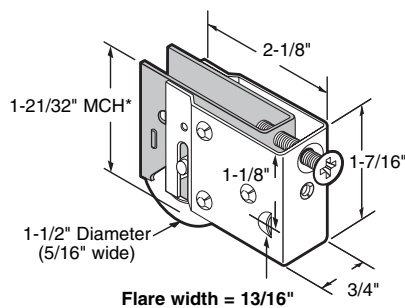


131466

Roller Assembly

Contents: 1 roller assembly.

Description: Steel ball bearing roller; adjustable steel housing assembly.



131470

131470

Roller Assembly

Contents: 1 roller assembly.

Description: Steel ball bearing roller; adjustable steel housing assembly.

***Minimum Collapsed Height**

Sliding Patio Door

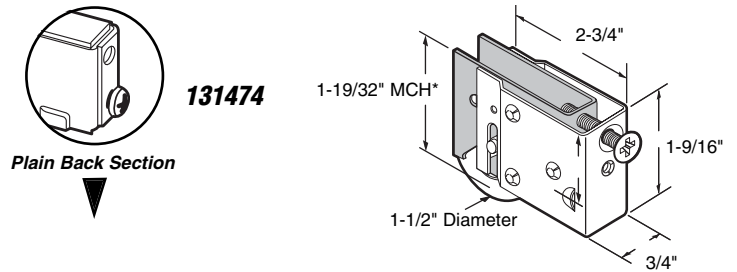
131474

Roller Assembly

Contents: 1 roller assembly.

Description: Steel ball bearing roller; adjustable steel housing assembly; fits on *Crown Windows* and other patio door manufacturers; use **131462** as replacement.

Call for Availability

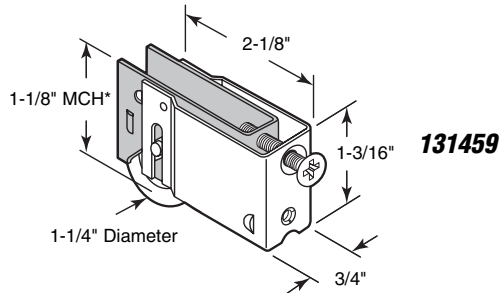


131459

Roller Assembly

Contents: 1 roller assembly.

Description: Steel ball bearing roller; adjustable steel housing; fits on *Nu-Air* and other patio door manufacturers.

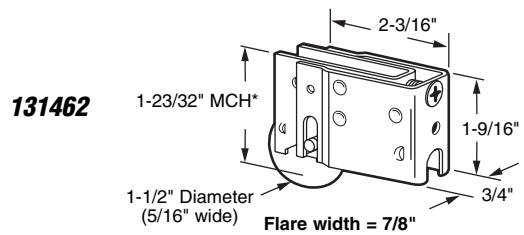


131462

Roller Assembly

Contents: 1 roller assembly.

Description: Steel ball bearing roller; adjustable steel housing assembly; fits on *Harcar* and other patio door manufacturers.

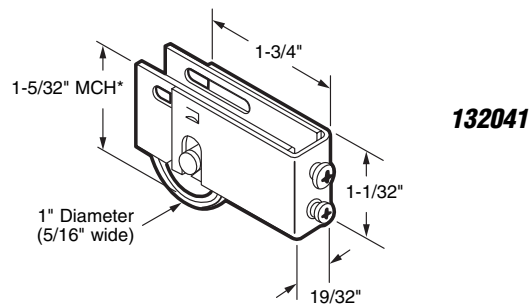


132041

Roller Assembly

Contents: 1 roller assembly.

Description: 1" flat steel ball bearing roller; adjustable steel housing assembly; fits on *Capitol Door*.

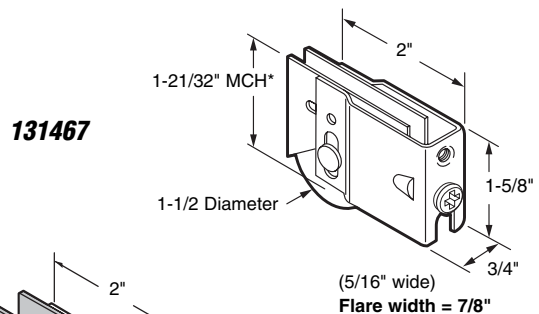


131467

Roller Assembly

Contents: 1 roller assembly.

Description: Steel ball bearing roller; adjustable steel housing assembly; fits on several patio door manufacturers.

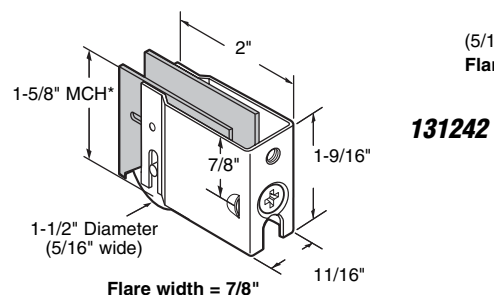


131242

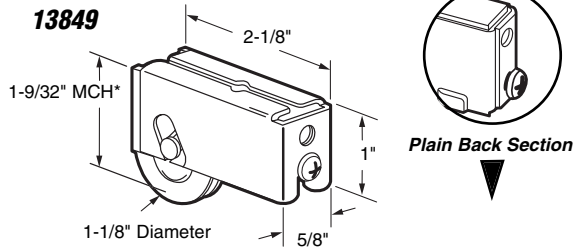
Roller Assembly

Contents: 1 roller assembly.

Description: Steel ball bearing roller; adjustable steel housing assembly.



***Minimum Collapsed Height**

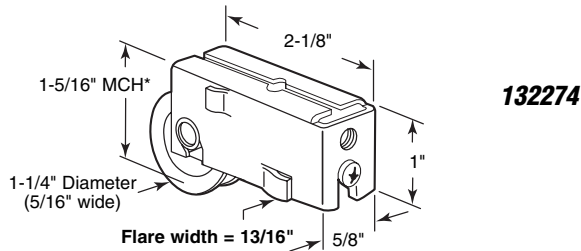


13849

Roller Assembly

Contents: 1 roller assembly.

Description: Steel ball bearing roller; adjustable steel housing assembly; fits on *Capitol Mfg.*



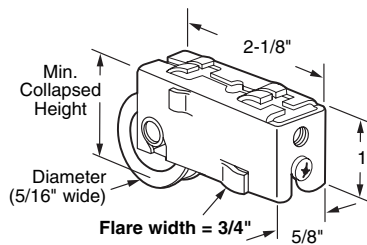
132274

Roller Assembly

Contents: 1 roller assembly.

Description: Nylon ball bearing roller; adjustable steel housing assembly; fits on *Regal* and other patio door manufacturers.

131951
131985
13290



131951 1-1/4" Nylon (1-5/16" Min. Collapsed Height)

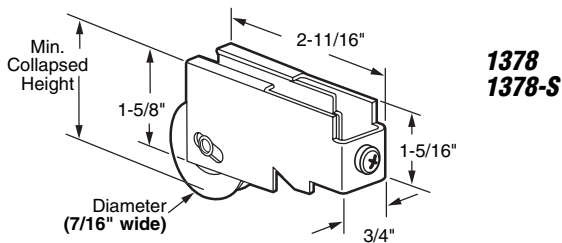
131985 1-1/4" Steel (1-5/16" Min. Collapsed Height)

13290 1-1/8" Steel (1-5/32" Min. Collapsed Height)

Roller Assembly

Contents: 1 roller assembly.

Description: Ball bearing roller; adjustable steel housing assembly; fits on *Smith Carry* and other patio door manufacturers.



1378 1-11/16" Nylon (2" Min. Collapsed Height)

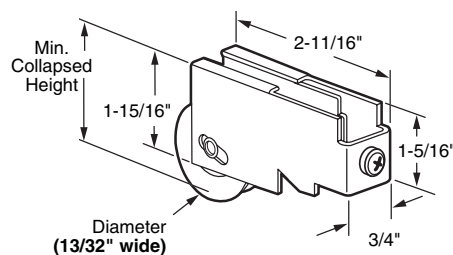
1378-S 1-13/16" Steel (2-1/16" Min. Collapsed Height)

Roller Assembly

Contents: 1 roller assembly.

Description: Ball bearing roller; steel housing assembly; fits on *Arcadia* and other patio door manufacturers.

132316
132604



132316 1-11/16" Nylon (2-1/4" Min. Collapsed Height)

132604 1-13/16" Steel (2-5/16" Min. Collapsed Height)

Roller Assembly

Contents: 1 roller assembly.

Description: Ball bearing roller; adjustable steel housing assembly; fits on *Arcadia* and other patio door manufacturers.

***Minimum Collapsed Height**

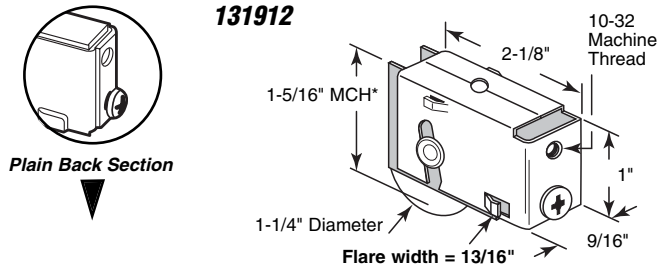
Sliding Patio Door

131912

Roller Assembly

Contents: 1 roller assembly.

Description: Steel ball bearing roller; adjustable steel housing assembly; fits on *Acorn Door* and other patio door manufacturers.

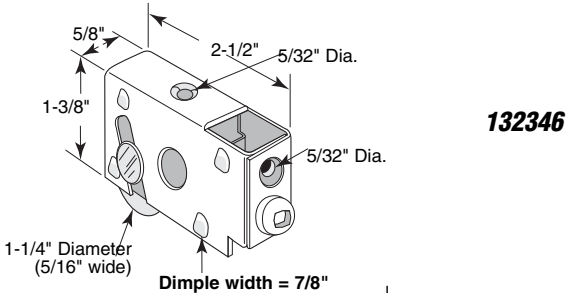


132346

Roller Assembly

Contents: 1 roller assembly.

Description: Steel ball bearing roller; adjustable steel housing assembly.

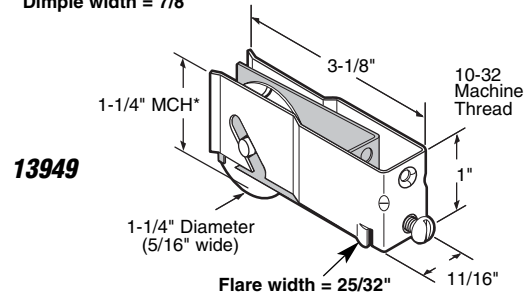


13949

Roller Assembly

Contents: 1 roller assembly.

Description: Steel ball bearing roller; adjustable steel housing assembly; fits on *Daryl* and other patio door manufacturers.



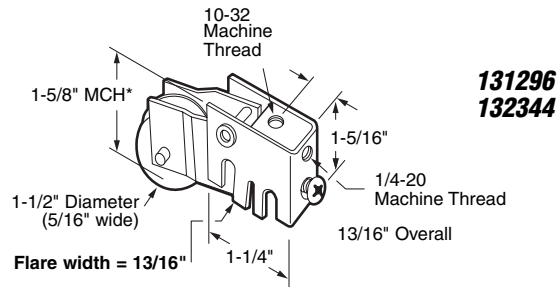
131296 (Steel)

132344 (Nylon)

Roller Assembly

Contents: 1 roller assembly.

Description: Ball bearing roller; adjustable steel housing assembly; fits on *Overseas* and other patio door manufacturers.

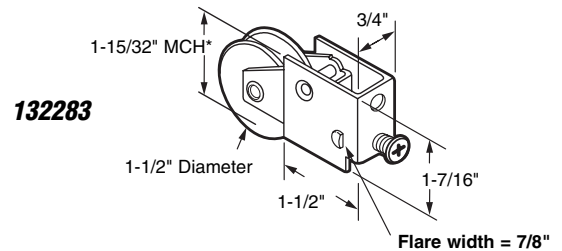


132283

Roller Assembly

Contents: 1 roller assembly.

Description: Steel ball bearing roller; adjustable steel housing assembly; fits on several patio door manufacturers.

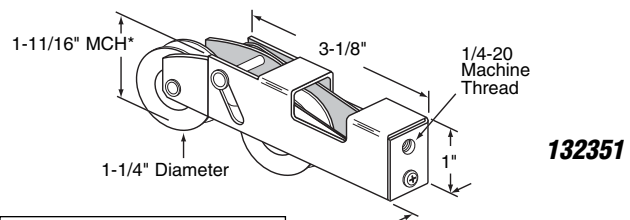


132351

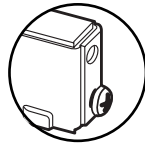
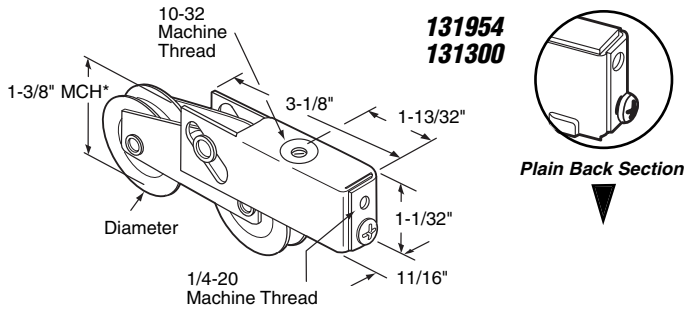
Tandem Roller Assembly

Contents: 1 roller assembly.

Description: Tandem steel ball bearing roller; adjustable steel housing assembly; fits on *Keller* and other patio door manufacturers.



*Minimum Collapsed Height



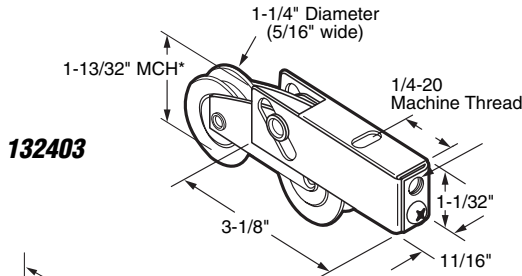
Plain Back Section

131954 (1-1/4" Nylon)
131300 (1-1/2" Steel)

Tandem Roller Assembly

Contents: 1 roller assembly.

Description: Tandem ball bearing rollers; adjustable steel housing assembly.



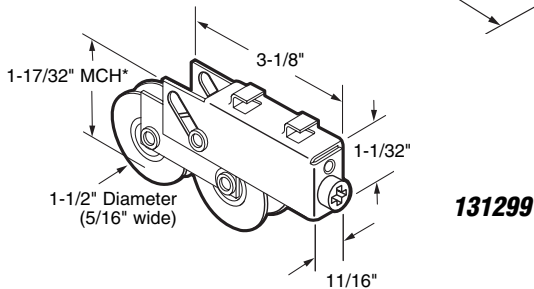
132403

132403

Tandem Roller Assembly

Contents: 1 roller assembly.

Description: Tandem steel ball bearing rollers; adjustable steel housing.



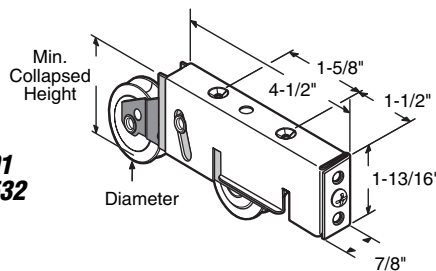
131299

131299

Tandem Roller Assembly

Contents: 1 roller assembly.

Description: Tandem steel ball bearing rollers; adjustable steel housing assembly fits on *Smith Carry Corp.*



13391
131532

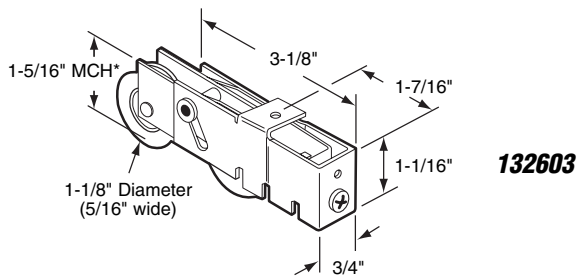
13391 1-1/2" Steel B.B. (2-5/16" Min. Collapsed Height)

131532 1-13/16" Steel B.B. (2-1/8" Min. Collapsed Height)

Tandem Roller Assembly

Contents: 1 roller assembly.

Description: Tandem steel ball bearing rollers; adjustable steel housing assembly; fits on *Armour Vue, Disco, Atlas* and many other patio door manufacturers.



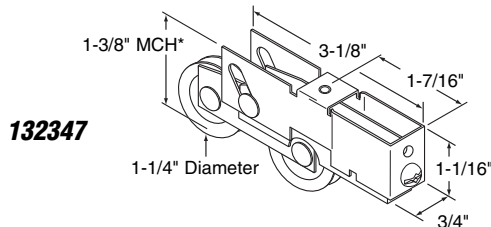
132603

132603

Tandem Roller Assembly

Contents: 1 roller assembly.

Description: Tandem steel ball bearing rollers; adjustable steel housing assembly.



132347

132347

Tandem Roller Assembly

Contents: 1 roller assembly.

Description: Tandem steel ball bearing roller; adjustable steel housing assembly.

***Minimum Collapsed Height**

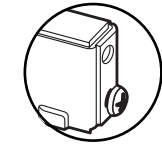
Sliding Patio Door

13964

Tandem Roller Assembly

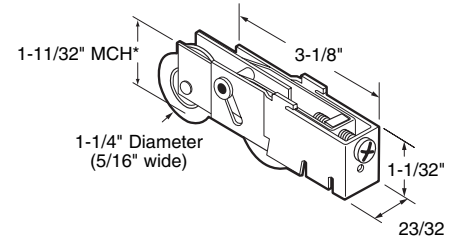
Contents: 1 roller assembly.

Description: Tandem steel ball bearing rollers; adjustable steel housing assembly; use by *Bee Cee* and other patio door manufacturers.



Plain Back Section

13964

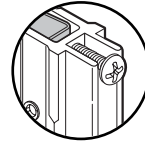


13435

Roller Assembly

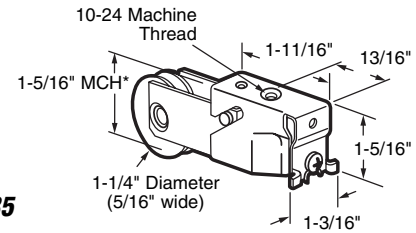
Contents: 1 roller assembly.

Description: Steel ball bearing roller; adjustable steel housing assembly; fits on *Smith & Kelly* and other patio door manufacturers.



Unique Housing Section

13435

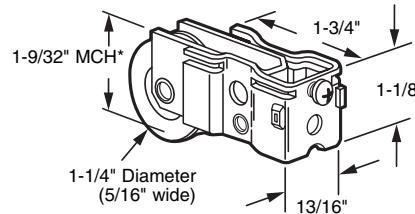


13406

Roller Assembly

Contents: 1 roller assembly.

Description: Steel ball bearing roller; adjustable steel housing assembly; fits on *Acorn*, *Wells Aluminum*, and other patio door manufacturers. Replaces old style diecast assembly.



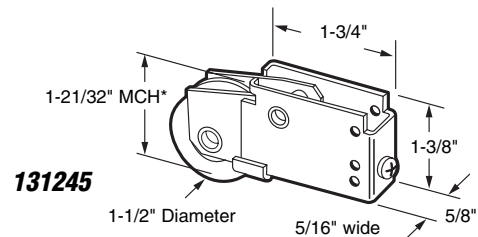
13406

131245

Roller Assembly

Contents: 1 roller assembly.

Description: Nylon ball bearing roller; adjustable steel housing assembly; fits on *Marshall Aluminum* and other patio door manufacturers.



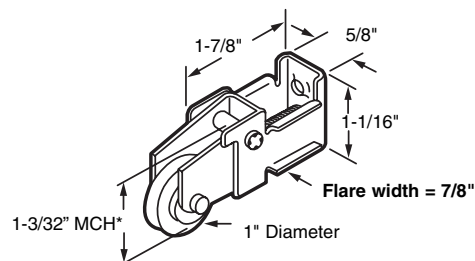
131245

13293

Roller Assembly

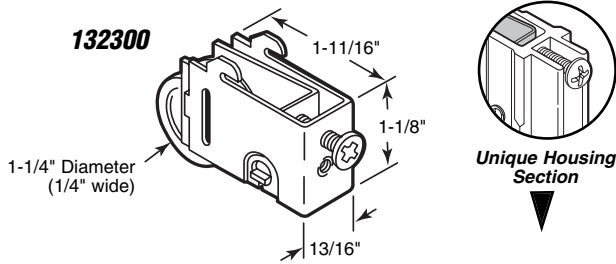
Contents: 1 roller assembly.

Description: Steel ball bearing roller; adjustable steel housing assembly; fits on *Fullview*.



13293

*Minimum Collapsed Height

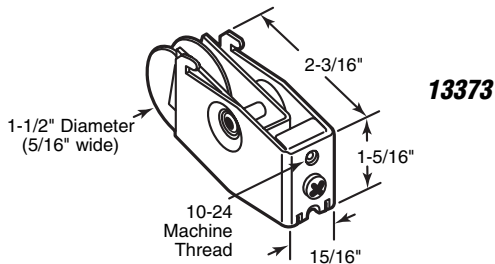


132300

Roller Assembly

Contents: 1 roller assembly.

Description: Steel ball bearing roller; adjustable steel housing assembly; fits on *Noranda Building Products, Three Rivers Aluminum* and *Bee Cee*.

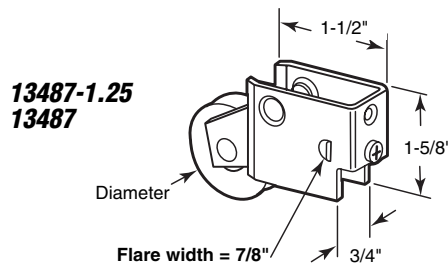


13373

Roller Assembly

Contents: 1 roller assembly.

Description: Nylon ball bearing roller; adjustable steel housing assembly; fits on *Northrop* and other patio door manufacturers.



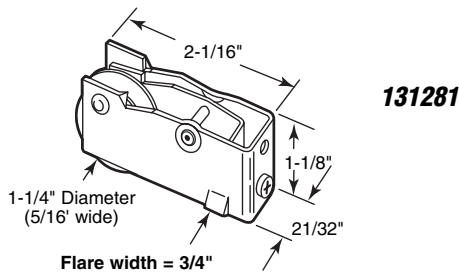
13487-1.25 (1-1/4")

13487 (1-1/2")

Roller Assembly

Contents: 1 roller assembly.

Description: Steel ball bearing roller; adjustable zinc plated steel housing assembly; fits on *Keller* and other patio door manufacturers.

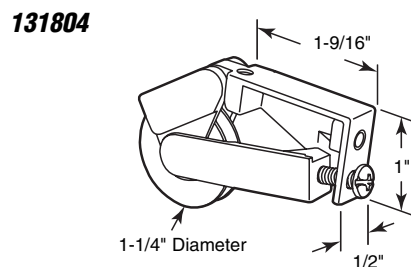


131281

Roller Assembly

Contents: 1 roller assembly.

Description: Steel ball bearing roller; adjustable steel housing assembly; fits on *Crossly* and other patio door manufacturers.

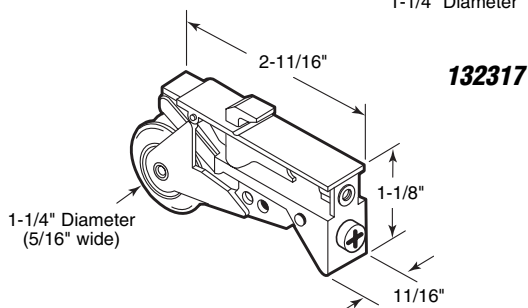


131804

Roller Assembly

Contents: 1 roller assembly.

Description: Steel ball bearing roller; adjustable diecast housing assembly; used by many patio door manufacturers.



132317

Roller Assembly

Contents: 1 roller assembly.

Description: Steel ball bearing roller; adjustable diecast housing assembly; fits on several patio door manufacturers.

Sliding Patio Door

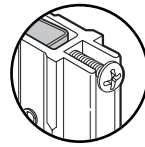
13127-2 (Steel)

131451 (Nylon)

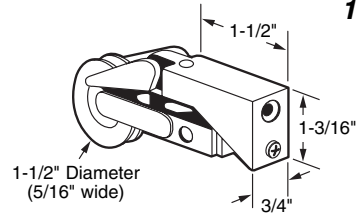
Roller Assembly

Contents: 1 roller assembly.

Description: Ball bearing roller; adjustable diecast housing assembly; fits on *Fleetwood*, *Fullview* and many other patio door manufacturers.



Unique Housing Section



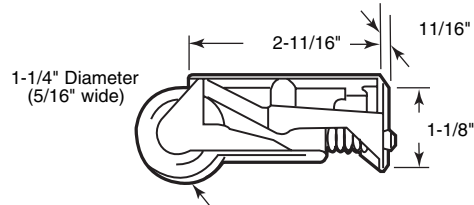
13127-2
131451

132318

Roller Assembly

Contents: 1 roller assembly.

Description: Steel ball bearing roller; adjustable diecast housing assembly; used by many patio door manufacturers.



132318

13143 (1-1/4" Nylon)

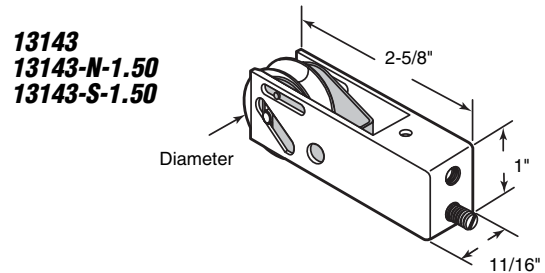
13143-N-1.50 (1-1/2" Nylon)

13143-S-1.50 (1-1/2" Steel)

Roller Assembly

Contents: 1 roller assembly.

Description: Ball bearing roller; adjustable diecast housing assembly; fits on *Trimview* and many other manufacturers.



13143
13143-N-1.50
13143-S-1.50

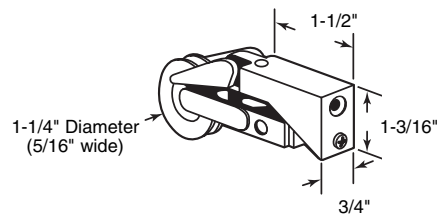
13127 (Steel)

132289 (Nylon)

Roller Assembly

Contents: 1 roller assembly.

Description: Ball bearing roller; adjustable diecast housing assembly; fits on *Fleetwood*, *Fullview* and many other patio door manufacturers.



13127
132289

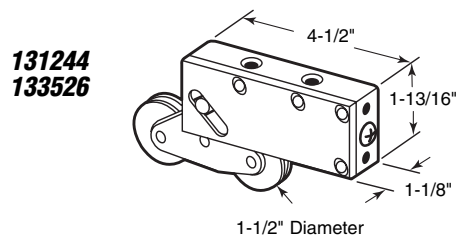
131244 (Steel)

133526 (Stainless steel)

Tandem Roller Assembly

Contents: 1 roller assembly.

Description: Tandem ball bearing rollers; adjustable diecast housing assembly; fits on *Kawneer*.



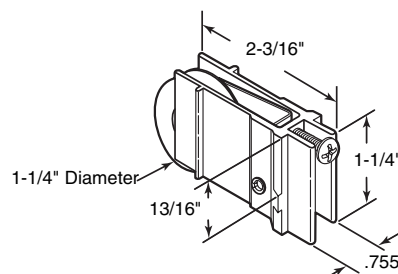
131244
133526

132026

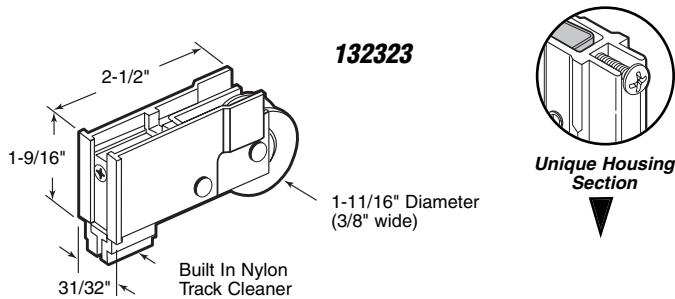
Roller Assembly

Contents: 1 roller assembly.

Description: Steel ball bearing roller; adjustable extruded aluminum housing assembly.



132026

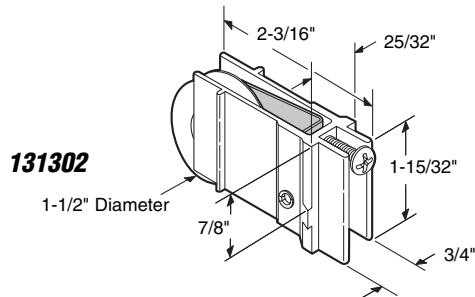


132323

Roller Assembly

Contents: 1 roller assembly.

Description: Nylon ball bearing roller; extruded aluminum housing assembly; nylon track cleaner; fits on *Alcan Door*.

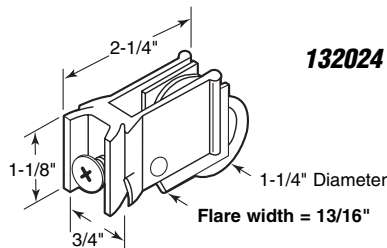


131302

Roller Assembly

Contents: 1 roller assembly.

Description: Steel ball bearing roller; adjustable extruded aluminum housing assembly; fits on *Pan American, AAA Aluminum*, and other patio door manufacturers.

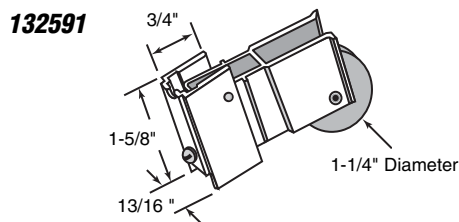


132024

Roller Assembly

Contents: 1 roller assembly.

Description: Steel ball bearing roller; adjustable extruded aluminum housing assembly; fits on *Miller Industries* and other patio door manufacturers.

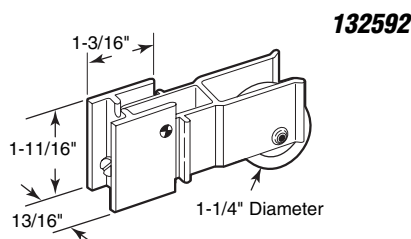


132591

Roller Assembly

Contents: 1 roller assembly.

Description: Steel ball bearing roller; adjustable extruded aluminum housing assembly; fits on *Peachtree* and other patio door manufacturers.

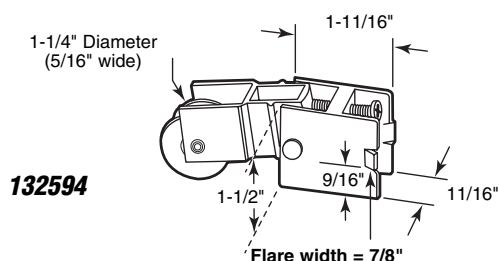


132592

Roller Assembly

Contents: 1 roller assembly.

Description: Steel ball bearing roller; adjustable extruded aluminum housing assembly; fits on *Yoho, Payne, Peachtree*, and other patio door manufacturers.



132594

Roller Assembly

Contents: 1 roller assembly.

Description: Steel ball bearing roller; adjustable extruded aluminum housing assembly; fits on *Yoho* and other patio door manufacturers.

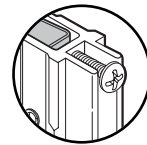
Sliding Patio Door

132600

Roller Assembly

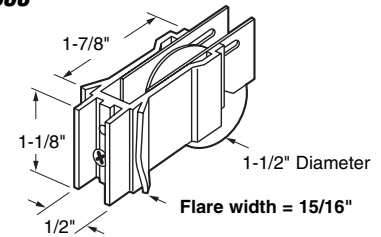
Contents: 1 roller assembly.

Description: Steel ball bearing roller; adjustable extruded aluminum housing assembly; used by several patio door manufacturers.



Unique Housing Section

132600

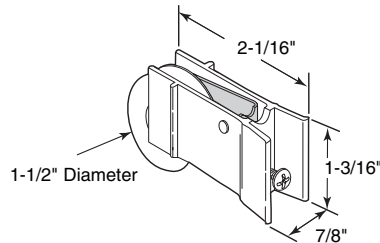


132356

Roller Assembly

Contents: 1 roller assembly.

Description: Nylon ball bearing roller; adjustable extruded aluminum housing assembly.



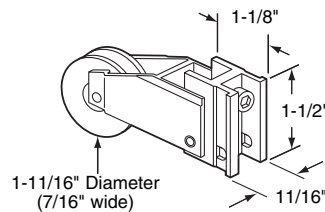
132356

132281

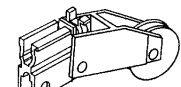
Roller Assembly

Contents: 1 roller assembly.

Description: Nylon ball bearing roller; adjustable extruded aluminum housing assembly; fits on *Daryl, Plaza Door* and other patio door manufacturers.



132281



Old Style

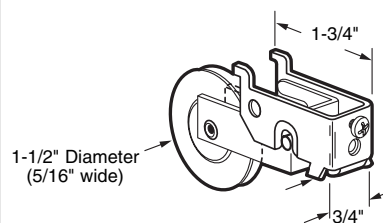
131897 (Nylon)

131913 (Steel)

Roller Assembly

Contents: 1 roller assembly.

Description: Ball bearing roller; adjustable steel housing; fits on *Ador Hilite* series 1200 patio doors.



131897
131913

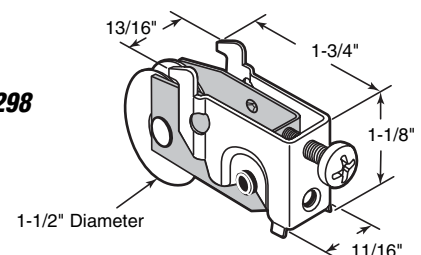
131298

Roller Assembly

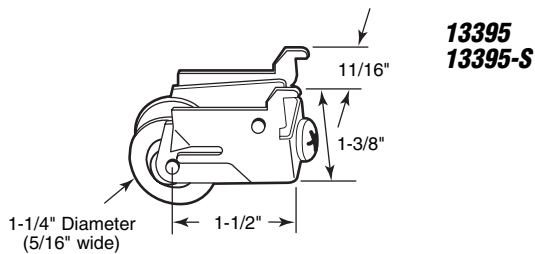
Contents: 1 roller assembly.

Description: Steel ball bearing roller; adjustable steel housing assembly.

131298



DISCONTINUED

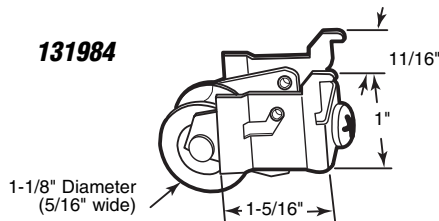


13395 (Nylon)
13395-S (Steel)

Roller Assembly

Contents: 1 roller assembly.

Description: Ball bearing roller; adjustable steel housing assembly; fits on *Premier* and other patio door manufacturers.

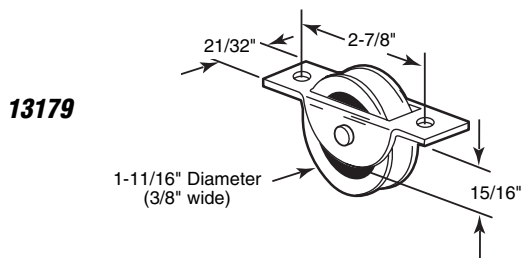


131984

Roller Assembly

Contents: 1 roller assembly.

Description: Steel ball bearing roller; adjustable steel housing assembly.

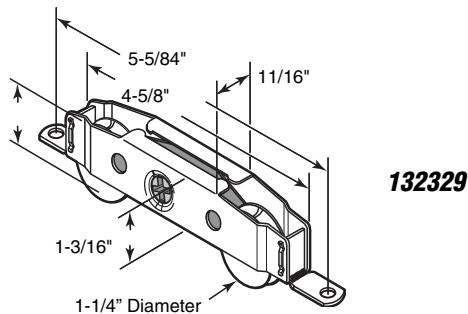


13179

Roller Assembly

Contents: 1 roller assembly.

Description: Nylon ball bearing roller; aluminum housing; fits on *Western Patio* doors and other patio door manufacturers.

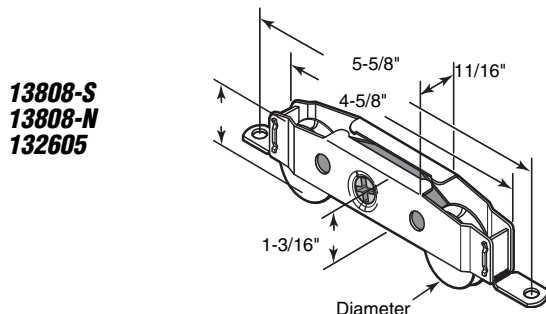


132329

Tandem Roller Assembly (Stainless Steel)

Contents: 1 roller assembly.

Description: Tandem stainless steel ball bearing rollers; adjustable stainless steel housing assembly; used in severe weather environments.



13808-S (1-1/4" Steel)

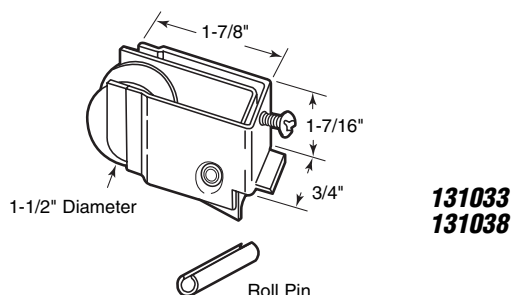
13808-N (1-1/4" Nylon)

132605 (1-1/2" Nylon)

Tandem Roller Assembly

Contents: 1 roller assembly.

Description: Tandem ball bearing rollers; adjustable steel housing assembly.



131033 (Nylon)

131038 (Steel)

Roller Assembly

Contents: 1 roller assembly.

Description: Ball bearing roller; adjustable steel housing assembly; fits on *Lumidor*, *C.E. Stanley* and other patio door manufacturers.

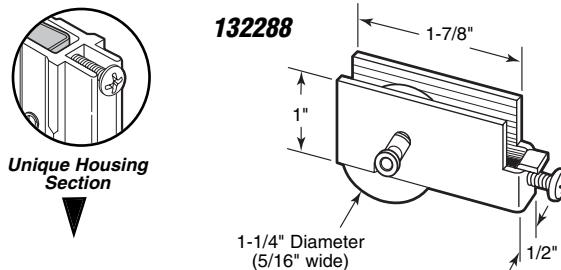
Sliding Patio Door

132288

Roller Assembly

Contents: 1 roller assembly.

Description: Steel ball bearing roller; adjustable steel housing assembly; fits on *Alwindor* and *Empire Pacific*.



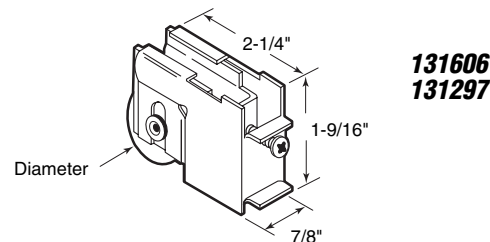
131606 (1-1/4" Steel)

131297 (1-1/8" Steel)

Roller Assembly

Contents: 1 roller assembly.

Description: Ball bearing roller; adjustable steel housing assembly; fits on *Peachtree Door*.



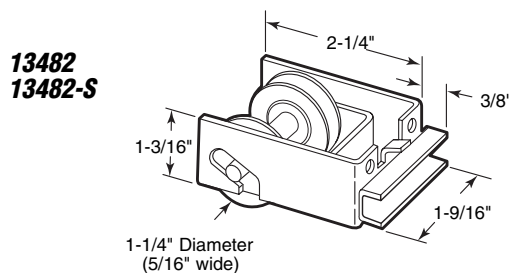
13482 (Nylon)

13482-S (Steel)

Roller Assembly

Contents: 1 roller assembly.

Description: Dual ball bearing rollers; adjustable steel housing; fits on *Guaranteed Products* and other patio door manufacturers.

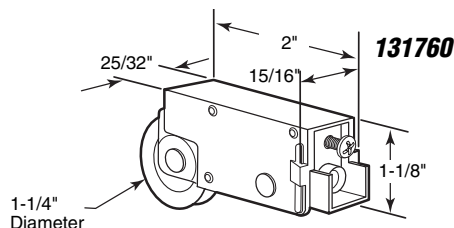


131760

Roller Assembly

Contents: 1 roller assembly.

Description: Steel ball bearing roller; adjustable diecast housing assembly; fits on "old style" *Acorn* doors.

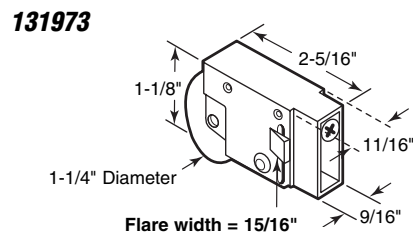


131973

Roller Assembly

Contents: 1 roller assembly.

Description: Steel ball bearing roller; adjustable diecast housing assembly; fits on *Crossly* and other patio door manufacturers.



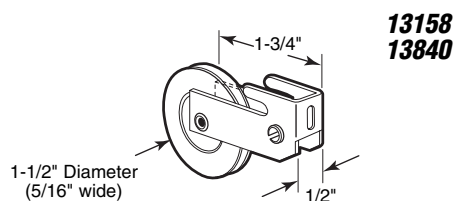
13158 (Nylon)

13840 (Steel)

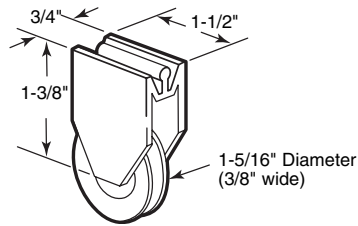
Roller Assembly

Contents: 1 roller assembly.

Description: Ball bearing roller in steel bracket; fits on *Adhor/ Hilite* and other patio door manufactures. Use with 131897 or 131913 to replace inner roller assembly.



13180



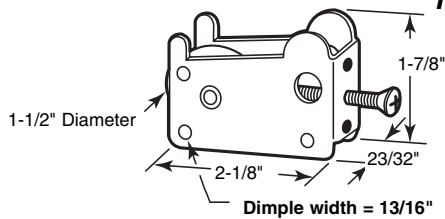
13180

Roller Assembly

Contents: 1 roller assembly.

Description: Nylon roller with bushing axle; non-adjustable nylon housing assembly; fits on *Likit* and other patio door manufacturers.

131892



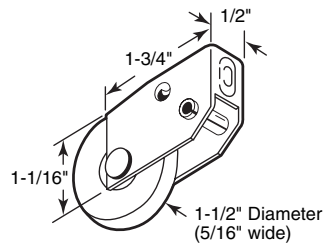
131892

Roller Assembly

Contents: 1 roller assembly.

Description: Steel ball bearing roller; galvanized steel housing.

132278



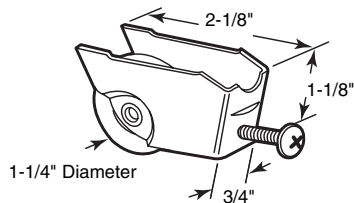
132278

Roller Assembly

Contents: 1 roller assembly.

Description: Steel ball bearing roller; steel bracket housing; fits on *H&D Industries* and several other patio door manufacturers; use **13840** as replacement.

131525



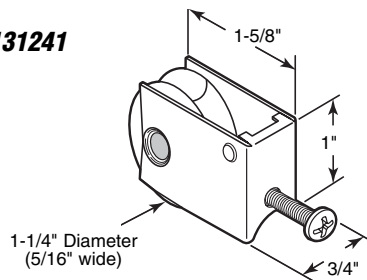
131525

Roller Assembly

Contents: 1 roller assembly.

Description: Steel ball bearing roller; steel housing.

131241



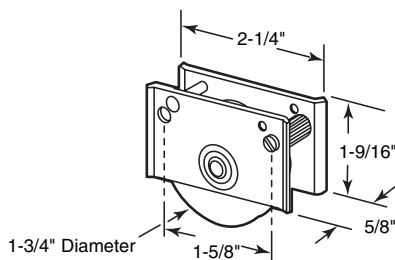
131241

Roller Assembly

Contents: 1 roller assembly.

Description: Steel ball bearing roller; stamped steel housing; Use with 13435 to replace inner roller assembly.

132294



132294

Roller Assembly

Contents: 1 roller assembly.

Description: Steel ball bearing roller; steel housing (side plate on each side of bearing); steel gear with adjustment screws.

Sliding Patio Door

132585

Roller Assembly

Contents: 1 roller assembly.

Description: Nylon ball bearing roller; adjustable diecast housing assembly; fits on *Nudor* and other patio door manufacturers.

132331 (Left hand)

132332 (Right hand)

Call for
Availability

Roller Assembly

Contents: 1 roller assembly.

Description: Nylon ball bearing roller; adjustable zinc diecast housing assembly.

13464

Door Roller Assembly

Contents: 1 roller assembly.

Description: Nylon ball bearing roller; adjustable diecast housing assembly; fits on *Art Door* and other patio door manufacturers.

Call for
Availability

131986

Roller Assembly

Contents: 1 roller assembly.

Description: Nylon ball bearing roller; adjustable steel inner housing; fits on *Capitol Door* products.

132298

Tandem Roller Assembly

Contents: 1 roller assembly.

Description: Nylon rollers with aluminum housing.

132285

Roller Assembly

Contents: 1 roller assembly.

Description: Flat nylon roller with brass bushing; adjustable diecast housing assembly.

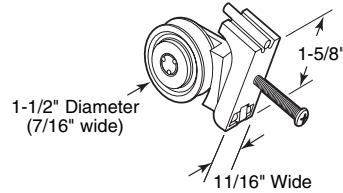
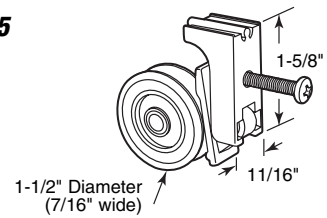
132284

Roller Assembly

Contents: 1 roller assembly.

Description: Flat steel ball bearing roller; adjustable diecast housing assembly.

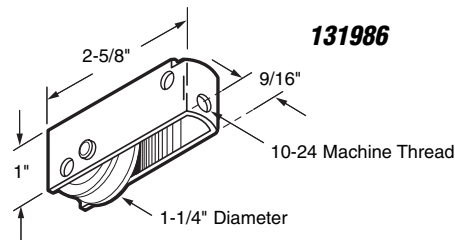
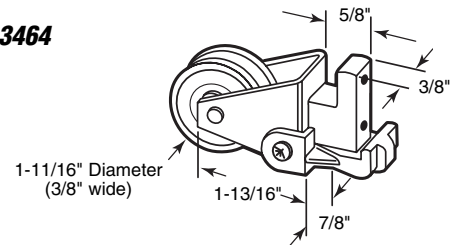
132585



132331
132332

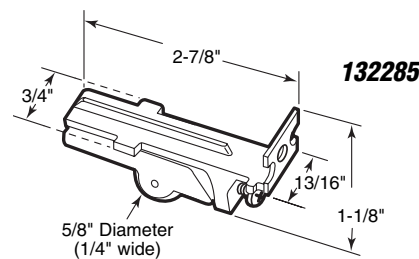
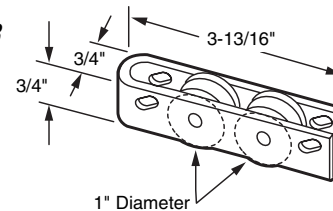
Right Hand Shown

13464



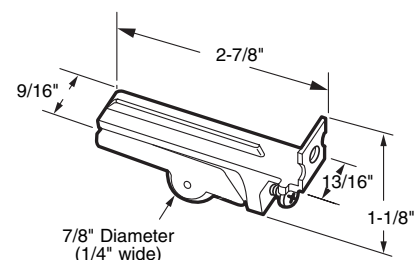
131986

132298

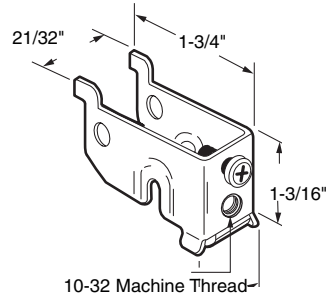


132285

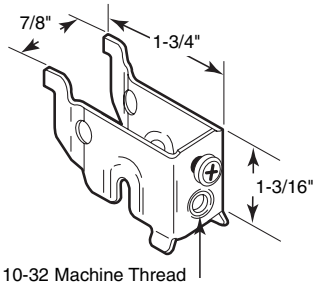
132284



13157



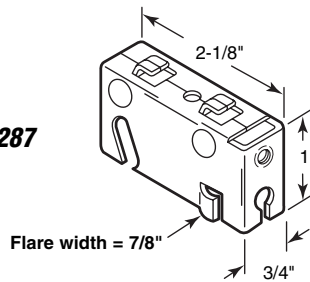
10-32 Machine Thread



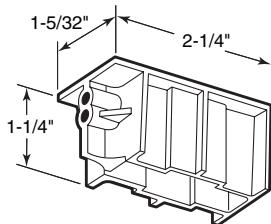
13227

10-32 Machine Thread

132287

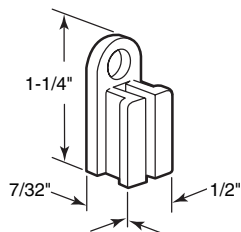
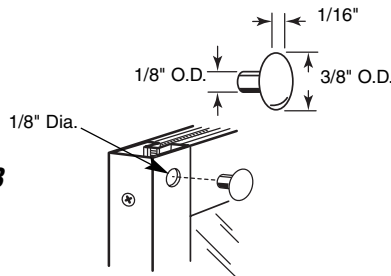


Flare width = 7/8"



1387

132303



13295

13157

Roller Housing

Contents: 1 roller housing assembly.

Description: Steel housing; fits on *Ador HiLite* to hold 13158 and 13840 roller assemblies.

132277

Roller Housing

Contents: 1 roller housing assembly.

Description: Steel housing; fits on *H&D Industries* and *Ador HiLite* to hold 132278 roller assembly.

132287

Roller Housing

Contents: 1 roller housing assembly.

Description: Steel housing; fits on *Empire Pacific* and *Alwindor*.

1387

Roller Housing

Contents: 2 brackets.

Description: Nylon housing used to hold 1322 roller assembly; fits on *Horizon* and other manufacturers.

132303

Guides

Contents: 12 guides.

Description: Nylon guides are used to prevent door rattle along the top rail.

13295

Guide

Contents: 4 guides.

Description: Nylon guides for top of doors; fits on *Fullview* and other manufacturers.

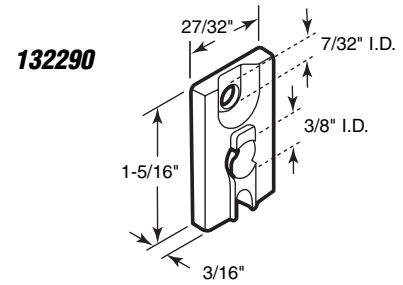
Sliding Patio Door

132290

Guides

Contents: 2 guides.

Description: Nylon guide; fits on *Daryl Industries*.

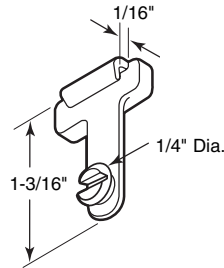


13630

Guides

Contents: 2 guides.

Description: Snap-in nylon guides for top of *International* series 900 patio doors.



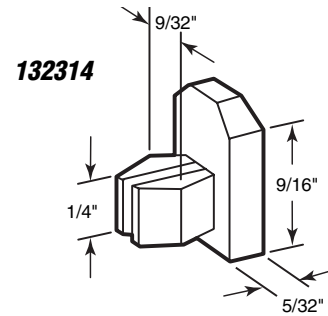
13630

132314

Top Guides

Contents: 4 top guides.

Description: Nylon guide; snaps into top rail to facilitate smooth operation.

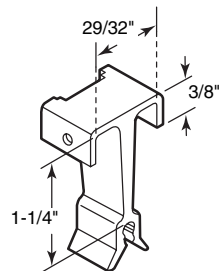


132299

Top Guides

Contents: 2 guides.

Description: Nylon guide mounts on top of door and prevents rattle during operation; fits on *International*.



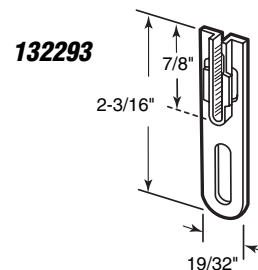
132299

132293

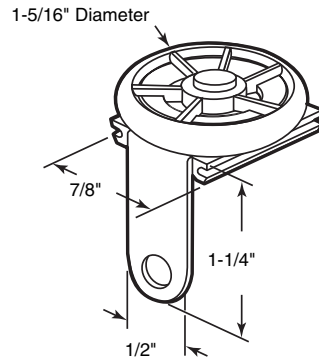
Top Guides

Contents: 2 guides.

Description: Nylon guide; used by several patio door manufacturers.



132342



132342

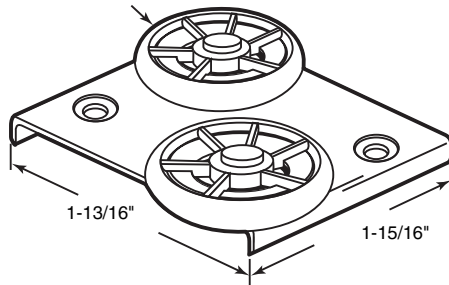
Guide

Contents: 1 guide.

Description: Horizontal roller guide keeps door centered in top grooves for smooth operation, fits on *Peachtree* on *Citation 3* doors.

1-5/16\"/>

132343



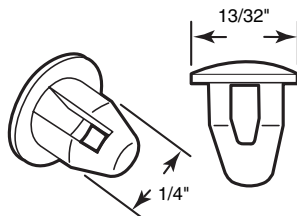
132343

Guide

Contents: 1 guide.

Description: Double horizontal roller guide for smooth operation, fits on *Peachtree* on *Carvel* doors.

13846



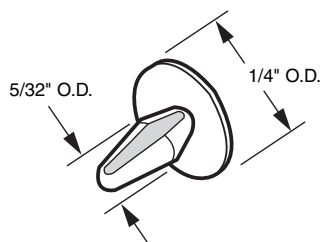
13846

Guide

Contents: 4 guides.

Description: Nylon guides; snaps into top rail to facilitate smooth operation.

Call for
Availability



132310

132310

Guide and Anti-Rattle Button

Contents: 4 guides.

Description: Nylon guide; used in top rail of door to create a quieter and smooth sliding patio door.

Sliding Patio Door

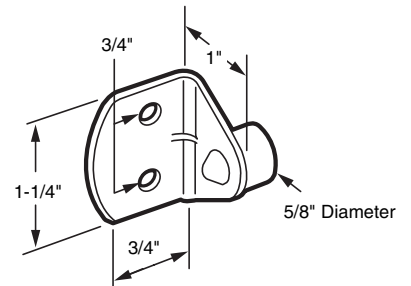
132307

Bumper

Contents: 2 bumpers, installation fasteners.

Description: Rubber bumper mounted on steel "L" bracket; universal design.

132307

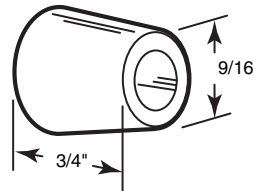


132313

Bumper

Contents: 2 bumpers, installation fasteners.

Description: Rubber bumper; reduces damage and noise; used by many manufacturers.



132313

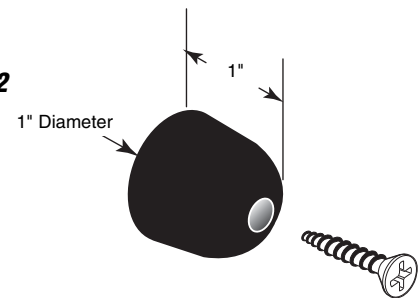
132352

Bumper

Contents: 2 bumpers, installation fasteners.

Description: Rubber bumper; attaches to jamb to cushion door.

132352



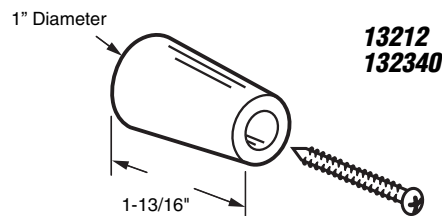
13212 (Black)

132340 (White)

Bumper

Contents: 1 bumper, installation fastener.

Description: Injected rubber bumper; attaches to jamb to protect door.



13212
132340

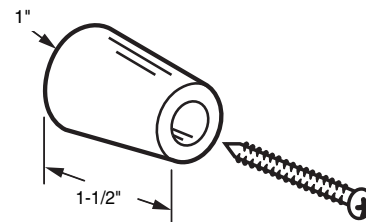
132306

Bumper

Contents: 2 bumpers, installation fasteners.

Description: Long injected rubber bumper; attaches to jamb to protect door.

132306



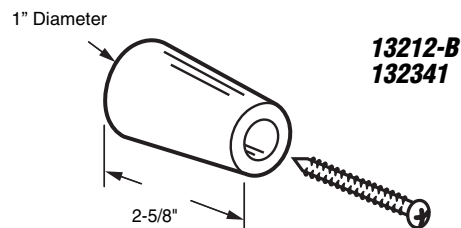
13212-B (Black)

132341 (White)

Bumper

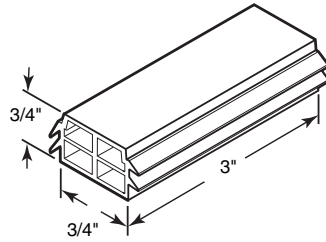
Contents: 1 bumper, installation fastener.

Description: Injected rubber bumper; attaches to jamb to protect door.



13212-B
132341

131447

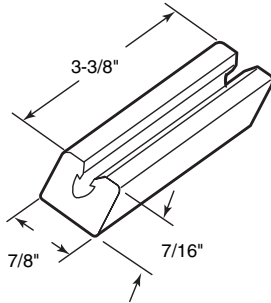


131447

Bumper

Contents: 1 bumpers.

Description: Long **extruded rubber bumper**; mounts into top frame rails to stop door; used by many manufacturers.



131446

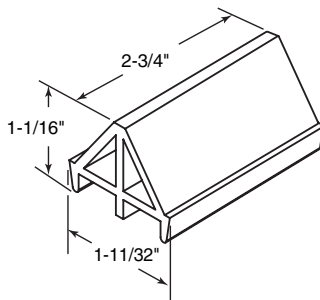
131446

Bumper

Contents: 1 bumper.

Description: Long **extruded rubber bumper**; mounts on sliding door track to help stop panel when being opened too hard.

132596

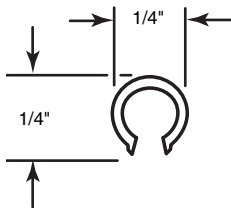


132596

Bumper

Contents: 2 bumpers.

Description: **Extruded rubber bumper**; mounts into top and bottom frame rails to stop door; used by many manufacturers.



13372-25

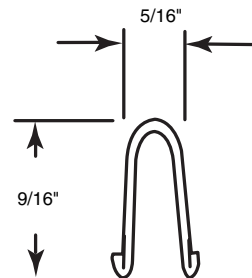
13372-24

Repair Track (Black)

Contents: 24' coil.

Description: Vinyl track cap; used to repair worn or damaged tracks; helps quiet doors as they slide.

13691
132586



13691 (8 ft. Stainless steel)

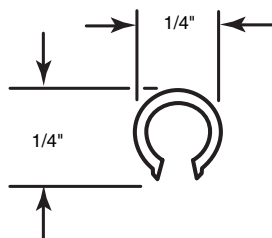
132586 (10 ft. Stainless steel)

Repair Track

Contents: 1 track.

Description: Heavy duty track can be used by itself or as a repair track; can be used on wood or metal tracks.

Note: 5 piece minimum order.



13847
13689
13690

13847 (6 ft. Stainless steel)

13689 (8 ft. Stainless steel)

13690 (10 ft. Stainless steel)

Repair Track

Contents: 1 track cap.

Description: Track cap is used as a repair part for damaged or badly worn tracks; easy to install.

Note: 10 piece minimum order.

Threshold Replacement Kits

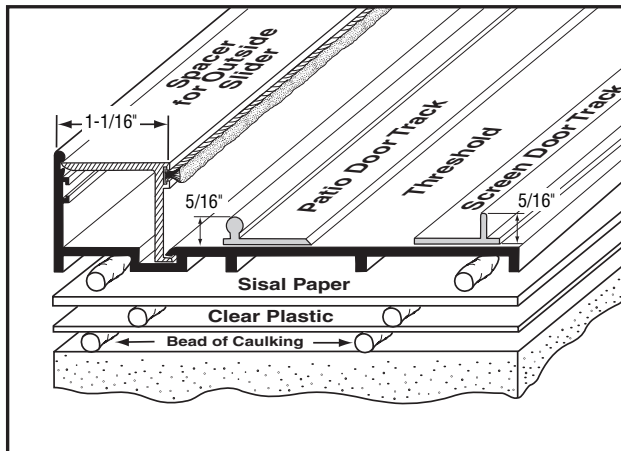
A revolutionary new product that replaces oxidized or corroded patio door thresholds. Easy to install. Eliminates the need of replacing the entire door frame. Adapts to inside or outside slides.

Contents of complete kit: 5 pieces of extruded anodized aluminum, sisal paper, clear plastic sheeting, caulking, fasteners, razor blade and detailed instructions. Also available as a 5 piece extruded aluminum set only.

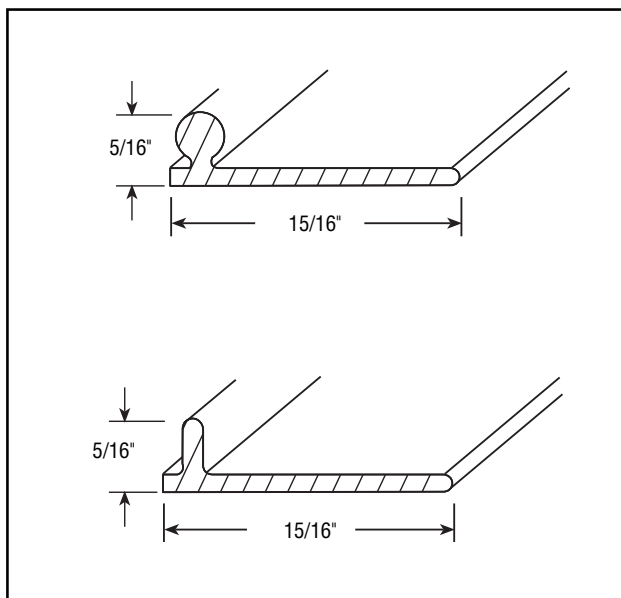
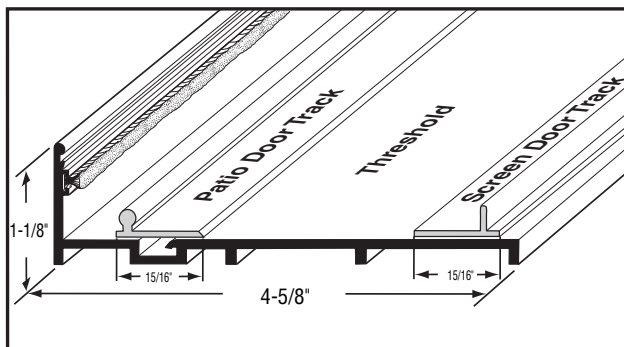
Type	Length	Anodized Aluminum	Anodized Bronze
Complete Kit	6'	D-1574	D-1644
	8'	D-1575	D-1645
	10'	D-1576	D-1646
	12'	D-1718	D-1719
5 Piece Extrusion Set Only	6'	D-1647	D-1648
	8'	D-1649	D-1650
	10'	D-1651	D-1652

Note: One set per carton.

Outside Slider Installation



Inside Slider Installation



GLASS TRACK (ONLY)

Length	Anodized Aluminum	Anodized Bronze
6'	D-1654	D-1669
8'	D-1659	D-1674
10'	D-1664	D-1679
12'	D-1743	D-1745

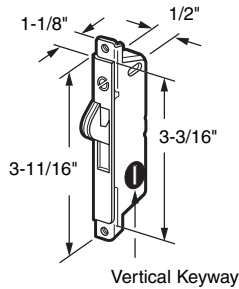
Minimum order: 10 pcs. per box

SCREEN TRACK (ONLY)

6'	D-1655	D-1670
8'	D-1660	D-1675
10'	D-1665	D-1680
12'	D-1744	D-1746

Minimum order: 10 pcs. per box

151291



Vertical Keyway

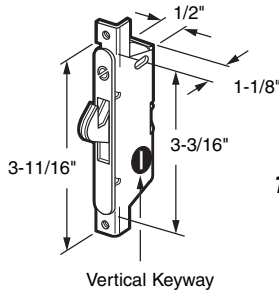
151291

Mortise Lock

Contents: 1 lock; installation fasteners.

Description: Mortise installation; **steel housing and hook; square end face plate**; keyway is in **vertical position** with hook fully extended; hook projection is adjustable; fits on **Adams Rite**.

You may wish to stock these related parts: **14346, 14421, 142218, 14605**.



Vertical Keyway

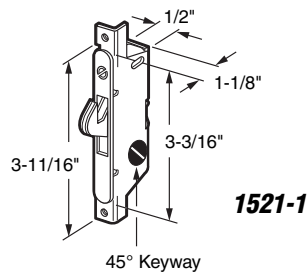
152469

152469

Mortise Lock

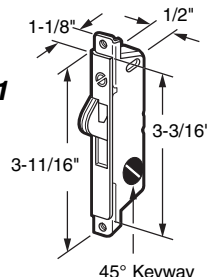
Contents: 1 lock; installation fasteners.

Description: Mortise installation; **steel housing and hook; round end face plate**; keyway is in **vertical position** with hook fully extended; hook projection is adjustable; fits on **Adams Rite**.



45° Keyway

1521-1



45° Keyway

1521

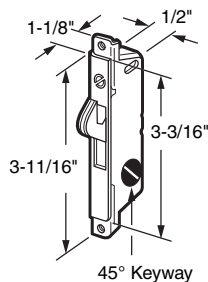
1521

1521-1

Mortise Lock

Contents: 1 lock; installation fasteners.

Description: Mortise installation; **steel housing and hook; round or square end face plate**; keyway is in **the 45° position** with hook fully extended; hook projection is adjustable; fits on **Adams Rite**.



45° Keyway

152504

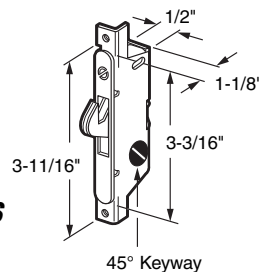
152504 (45° keyway)

Mortise Lock (Automatic)

Contents: 1 lock; installation fasteners.

Description: **Steel housing and hook**; hook is spring loaded; with adjustable projection; does not hold back in unlocked position; **automatically latches door**; **square end face plate**; keyway is in **the 45° position** with hook fully extended; fits on **Adams Rite**.

152505
1521-1-SS



45° Keyway

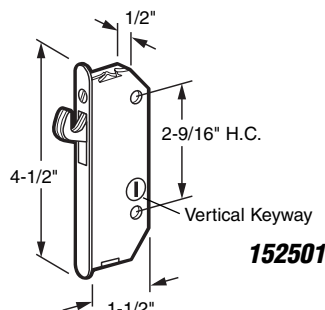
152505 (Steel)

1521-1-SS (Stainless steel)

Mortise Lock (Automatic)

Contents: 1 lock; installation fasteners.

Description: Mortise installation; **steel housing and hook**; hook is spring loaded; with adjustable hook projection; **automatically latches door**; **round end face plate**; keyway is in **the 45° position** with hook fully extended; fits on **Adams Rite**.



152501

152501 (Vertical keyway)

Mortise lock

Contents: 1 lock.

Description: **Stainless steel** mortise latch; adjustable bolt throw; will withstand approx. 1000 pound force horizontally and vertically to resist pry bar attack or to lift door off track.

You may wish to stock these related parts: **141841, 151035**.

152471

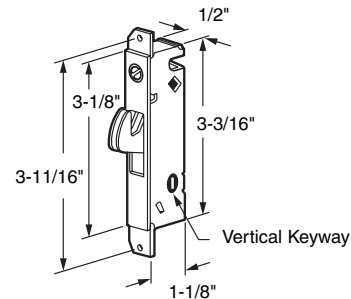
Mortise Lock

Contents: 1 lock; installation fasteners.

Description: Mortise installation; **steel housing and hook; square end face plate**; keyway is in **vertical position** with hook fully extended; hook projection is adjustable; fits on **W&F**.

You may wish to stock these related parts: **14421, 14184, 142218, 152502**.

152471



15410

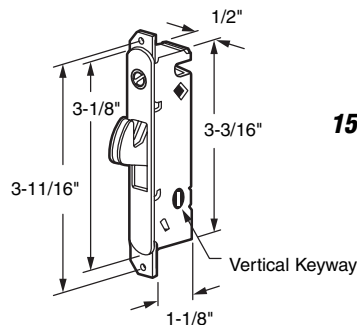
Mortise Lock

Contents: 1 lock; installation fasteners.

Description: Mortise installation; **steel housing and hook; round end face plate**; keyway is in **vertical position** with hook fully extended; hook projection is adjustable; fits on **W&F**.

You may wish to stock these related parts: **14421, 14184, 142218, 152502**.

15410



15410-F

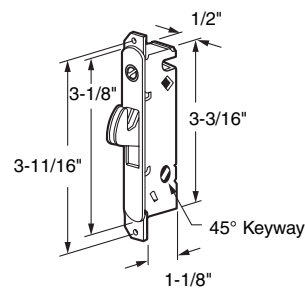
Mortise Lock

Contents: 1 lock; installation fasteners.

Description: Mortise installation; **steel housing and hook; round end face plate**; keyway is in the **45° position** with hook fully extended; hook projection is adjustable; fits on **W&F**.

You may wish to stock these related parts: **14346, 14421, 142218, 141841, 152502**.

15410-F



141725

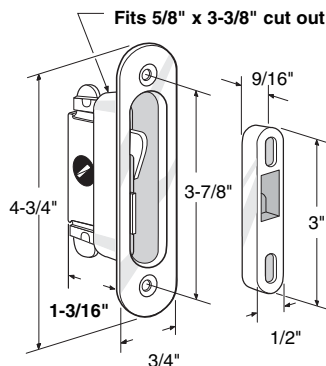
Mortise Lock and Keeper

Contents: 1 lock and keeper assembly with complete set of fasteners.

Description: Excellent for either **wood** or **aluminum** door application; integration of keeper and lock for positive **anti-lift** protection; **plated steel hook** is mounted in an **anti-friction pivot**, encased in **aluminum housing**; fits on **Penngo** and other manufacturers. Overall depth is 1-3/16".

You may also wish to stock these related parts: **141237, 142250, 141726**.

141725



152510

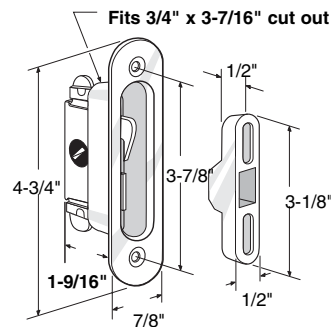
Mortise Lock and Keeper (Large housing)

Contents: 1 lock and keeper assembly with complete set of fasteners.

Description: Excellent for either **wood** or **aluminum** door application; integration of keeper and lock for positive **anti-lift** protection; **plated steel hook** is mounted in an **anti-friction pivot**, encased in **aluminum housing**; fits on **Traco** and other manufacturers. Overall depth is 1-9/16".

You may also wish to stock these related parts: **141237, 142250**.

152510



152511

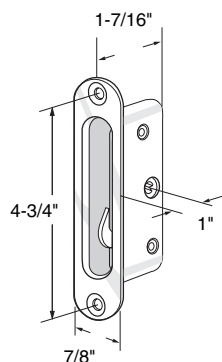
Mortise Lock

Contents: 1 lock; installation fasteners.

Description: **Diecast** construction; mortise lock for **wood** doors; used exclusively in **Canada**.

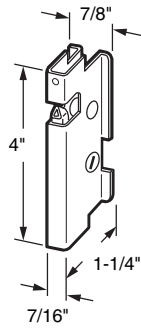
You may wish to stock these related parts: **151035**.

Call for Availability



152511

14426



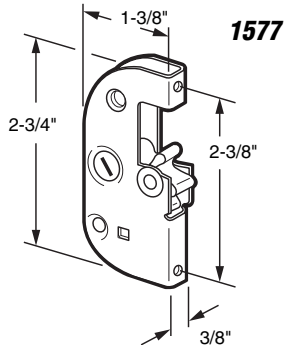
14426

Mortise Lock

Contents: 1 lock; installation fasteners.

Description: Mortise installation; **steel housing**; fits on *Daryl Industries*.

You may wish to stock these related parts: **14421, 14422, 15669.**



1577

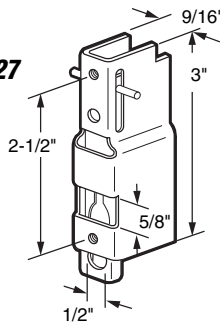
1577

Mortise Lock

Contents: 1 lock; installation fasteners.

Description: Cog type lock assembly for old style *Arcadia* doors. Diecast cog and **steel housing**.

151527



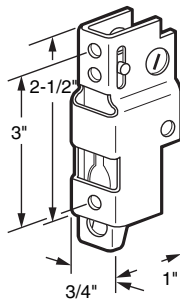
151527

Mortise Lock

Contents: 1 lock; installation fasteners.

Description: Mortise installation; **steel lock and housing**; fits on *Guaranteed Products*.

You may wish to stock these related parts: **14479, 14480, 15481, 151310.**



15389

15389

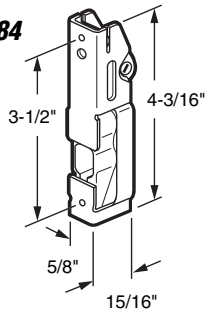
Mortise Lock

Contents: 1 lock; installation fasteners.

Description: Mortise installation; **steel lock and housing**; fits on *Northrop*.

You may wish to stock these related parts: **151310.**

15384



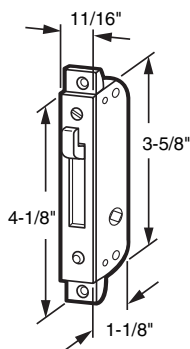
15384

Mortise Lock

Contents: 1 lock; installation fasteners.

Description: **Steel lock and housing** with **stainless steel spring**; mortise installation; fits on *Northrop*.

You may wish to stock these related parts: **151310.**



15500

15500

Mortise Lock

Contents: 1 lock; installation fasteners.

Description: **Diecast lock housing**; **steel hook and safety release button**; fits on *Parlyn 900* series

Call for
Availability

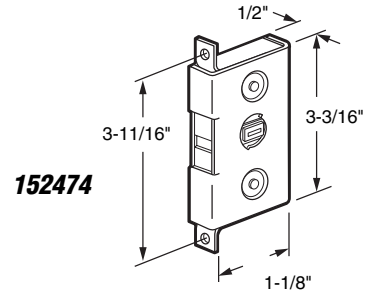
152474

Mortise Lock

Contents: 1 lock; installation fasteners.

Description: Mortise installation; **steel housing; square end face plate;** mounting flanges have no. 6-32 threaded holes; fits on **W & F.**

Call for Availability



152474

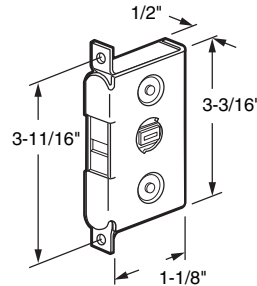
15311-1

Mortise Lock

Contents: 1 lock; installation fasteners.

Description: Mortise installation; **steel housing; round end face plate;** mounting flanges have no. 6-32 threaded holes; fits on **W&F.**

Call for Availability



15311-1

15187 (45° keyway)

Mortise Lock

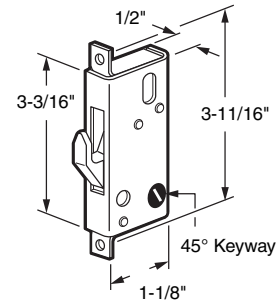
Contents: 1 lock; installation fasteners.

Description: Mortise installation; **steel housing and hook; square end face plate;** fits on **Arcadia & Saurenman.**

You may wish to stock these related parts: **14421.**

Call for Availability

15187



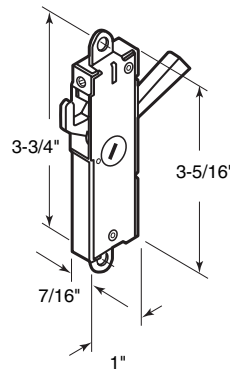
15510

15510

Internal Lock

Contents: 1 lock; installation fasteners.

Description: Internal lock for surface mounted patio door handle set. **Steel housing and hook; black plastic** latch lever; with adjustable hook projection; fits on **Nothrop Architectural** and other manufacturers.



15191

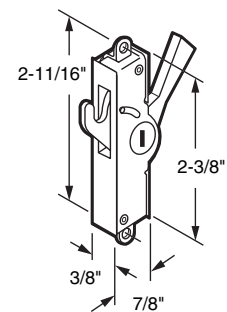
Internal Lock

Contents: 1 lock; installation fasteners.

Description: Internal lock for surface mounted patio door handle, with **steel housing and hook; black plastic** latch lever; fits on **Adams Rite.**

You may wish to stock these related parts: **14387, 14387-B, 141968.**

15191



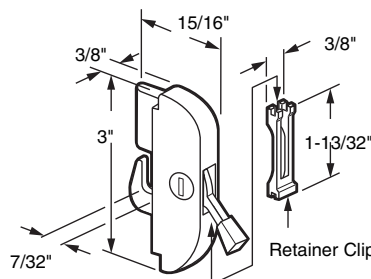
151888

Internal Lock

Contents: 1 lock; 1 retainer clip.

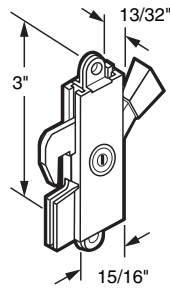
Description: **Diecast lock housing** with **steel hook and latch lever; plastic** retainer clip.

You may wish to stock these related parts: **14206, 142053, 142220, 142221, 142226, 142227.**



151888

151890



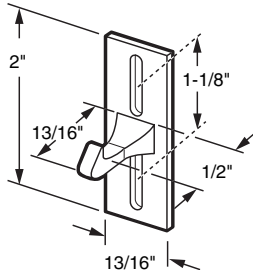
151890
Internal Lock

Contents: 1 lock.

Description: Stamped aluminum housing with steel hook and latch lever; black plastic latch lever tip.

You may wish to stock these related parts: **15191, 15560, 151888.**

152492



152492 (Chrome)

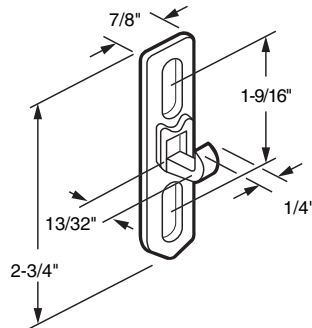
Keeper

Contents: 1 keeper; installation fasteners.

Description: Diecast, face mount keeper; vertical slots allow for adjustment; fits on *Miller Industries*.

You may wish to stock these related parts: **14421.**

152495



152495 (Chrome)

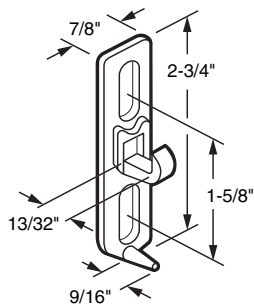
Keeper

Contents: 1 keeper; installation fasteners.

Description: Diecast, face mount keeper; vertical slots allow for adjustment; fits on *Daryl Industries*.

You may wish to stock these related parts: **142372, 14903, E-2083.**

152491



152491 (Chrome)

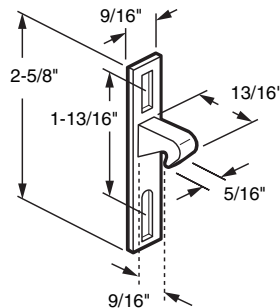
Keeper

Contents: 1 keeper; installation fasteners.

Description: Diecast, face mount keeper; vertical slots allow for adjustment; fits on *Crossly*.

You may wish to stock these related parts: **142372, 14903, E-2083.**

152180



152180

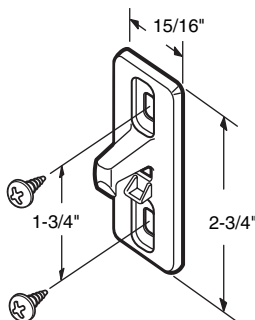
Keeper

Contents: 1 keeper; installation fasteners.

Description: Zinc plated diecast keeper; face mount; vertical slots allow for adjustment.

You may wish to stock these related parts: **14186, 151955.**

141531



141531

Keeper

Contents: 1 keeper; installation fasteners.

Description: Zinc plated diecast keeper with vertical slots for adjustment, fits *Daryl* and other doors.

You may wish to stock these related parts: **1495, 15189, 15190.**

Sliding Patio Door

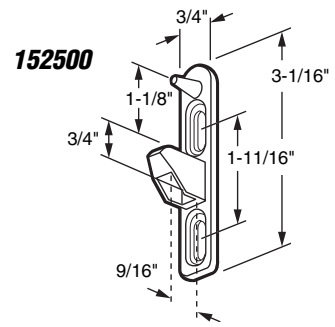
152500 (Chrome)

Keeper

Contents: 1 keeper; installation fasteners.

Description: Diecast keeper, face mount; anti-lift pin; vertical slots allow for adjustment.

You may wish to stock these related parts: **141638, 141640, 14436, 141975.**



142029 (3/4" wide - chrome)

14504 (1/2" wide - chrome)

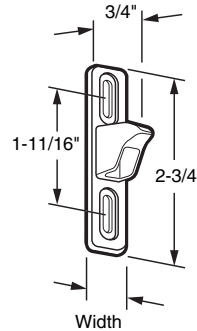
142029-B (3/4" wide - black)

Keeper

Contents: 1 keeper; installation fasteners.

Description: Diecast keeper; screw slots allow for vertical adjustment; universal application.

You may wish to stock these related parts: **141638, 141640, 14436, 141975, 14416.**



**142029
14504
142029-B**

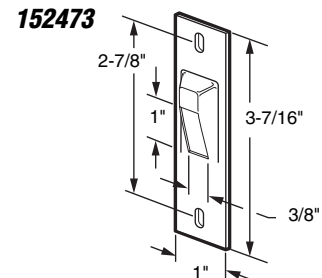
152473

Keeper

Contents: 1 keeper; installation fasteners.

Description: Surface mount; for hook style latch; 1/4" projection; plated steel; fits on *W&F*.

*Call for
Availability*



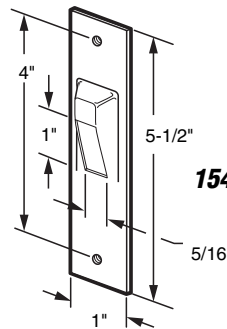
15400-26

Keeper

Contents: 1 keeper; installation fasteners.

Description: Surface mount; for hook style latch; 1/4" projection; plated steel; fits on *W&F*.

You may wish to stock these related parts: **15410, 15410-F.**



15400-26

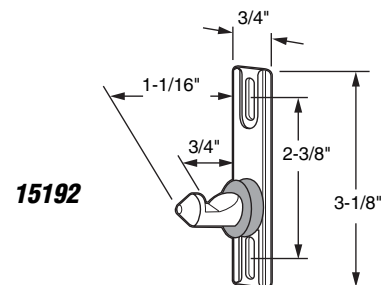
15192

Keeper

Contents: 1 keeper; installation fasteners.

Description: Diecast keeper and rubber bumper; repair part for sliding patio door handle **141235**.

You may wish to stock these related parts: **1495, 15189, 15190.**



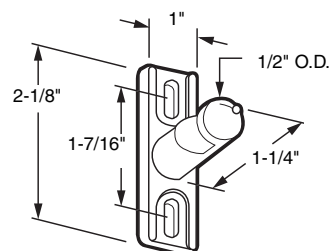
15192

152499 (Chrome)

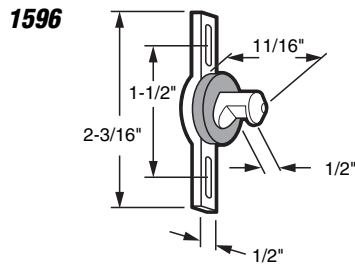
Keeper

Contents: 1 keeper; installation fasteners.

Description: Diecast, face mount keeper; vertical slots allow for adjustment; fits on *Capitol & Parlyn*.



152499



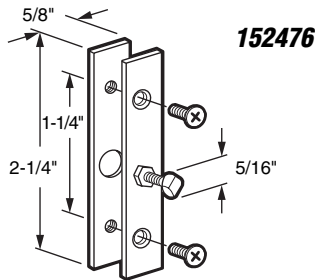
1596
Keeper (Narrow)

Contents: 1 keeper; installation fasteners.

Description: Diecast keeper with round rubber bumper; fits on *Trimview* doors.

You may wish to stock these related parts: **15192**.

Call for
Availability



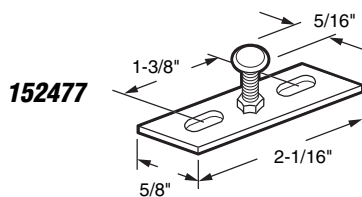
152476
Keeper

Contents: 1 keeper; 1 backup plate; installation fasteners.

Description: Surface mount; for jaw style latch; plated steel; fits on *W&F*.

You may also wish to stock these related parts: **151291, 15410-F**.

Call for
Availability



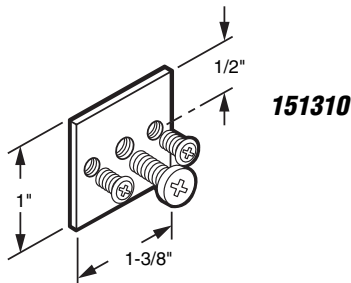
152477
Keeper

Contents: 1 keeper; installation fasteners.

Description: Surface mount; for jaw style latch; adjustable; plated steel; fits on *W&F*.

You may wish to stock these related parts: **151310**.

Call for
Availability



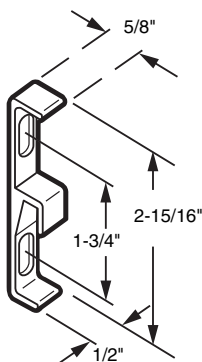
151310
Keeper

Contents: 1 keeper; 1 set of installation fasteners.

Description: Adjustable keeper assembly; fits on *Guaranteed Products*.

You may wish to stock these related parts: **14479, 151527**.

152498
141974-W



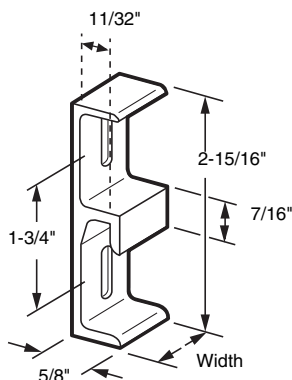
152498 (Aluminum finish)
141974-W (White)

Keeper

Contents: 1 keeper; installation fasteners.

Description: Zinc diecast keeper; face mount; vertical slots allow for adjustment.

You may wish to stock these related parts: **14206; 142053, 141974**.



152506 (Wide - 3/4")
152517 (Wide - 11/32")
Keeper

Contents: 1 keeper; installation fasteners.

Description: Extruded aluminum keeper; face mount design; vertical slots allow for adjustment.

You may wish to stock these related parts: **152479, 152480, 141974, 152498**.

Sliding Patio Door

14564 (Aluminum)

14564-B (Bronze)

Keeper

Contents: 1 keeper; 1 angle bracket; installation fasteners.

Description: Extruded aluminum face mount keeper with 1/2" x 1/2" angle bracket; used as special anti-burglar plate.

141974 (Aluminum)

141974-B (Black)

Keeper

Contents: 1 keeper; 1 angle bracket; installation fasteners.

Description: Zinc diecast face mount keeper with 1/2" x 1/2" angle bracket; used as special anti-burglar plate.

You may wish to stock these related parts: **14206**, **142053**, **14665**, **14664**, **152498**.

152481 (Aluminum)

152481-B (Black)

Keeper

Contents: 1 keeper; installation fasteners.

Description: Extruded aluminum face mount keeper; screw slots allow for vertical adjustment.

You may wish to stock these related parts: **14206**, **142053**.

152479 (Aluminum)

152479-B (Black)

Keeper

Contents: 1 keeper; installation fasteners.

Description: Extruded aluminum keeper; face mount; designed for use on 4-1/2" jambs.

You may wish to stock these related parts: **142053**, **14656**.

152480 (Aluminum)

152480-B* (Black)

Keeper

Contents: 1 keeper; installation fasteners.

Description: Extruded aluminum keeper; designed for use on 5-1/2" wide jambs, fits on *Sears* sliding doors.

* Call for availability on this item.

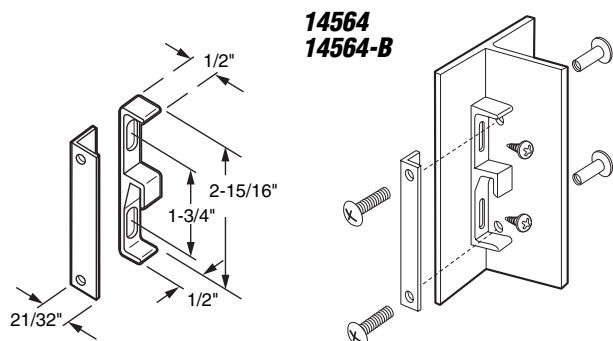
You may wish to stock these related parts: **142053**, **14656**.

14967 (Aluminum)

Keeper

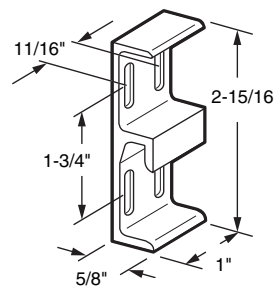
Contents: 1 keeper; installation fasteners.

Description: Extruded aluminum keeper; designed for use on *Unit Span* doors.



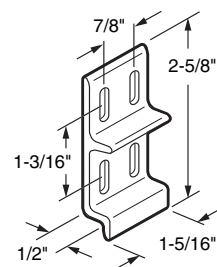
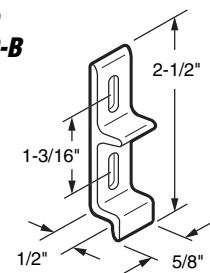
14564
14564-B

141974
141974-B



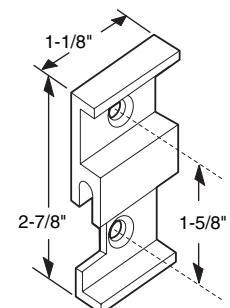
152481
152481-B

152479
152479-B

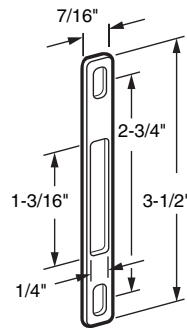


152480
152480-B*

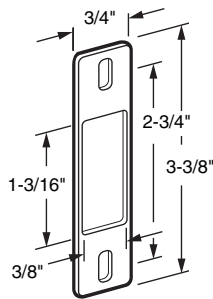
14967



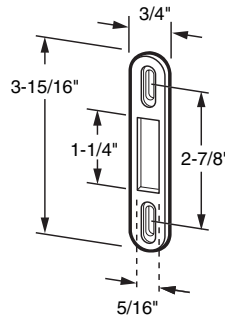
15400-18



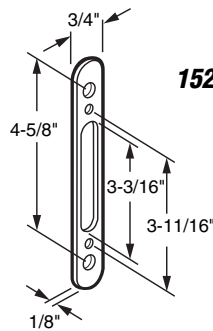
15400-19



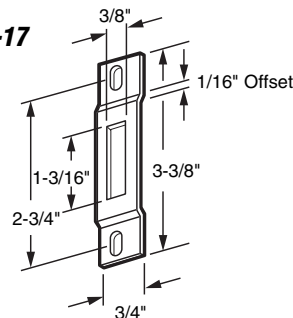
151865



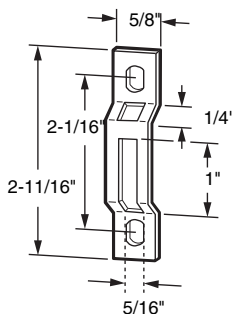
152502



15400-17



152493



15400-18

Keeper (Narrow)

Contents: 1 keeper; installation fasteners.

Description: Surface mount; for hook style latch; **zinc plated steel**. Can be used as a reinforcing plate for slotted end stiles.

You may wish to stock these related parts: **151291, 15410-F**.

15400-19

Keeper (Wide)

Contents: 1 keeper; installation fasteners.

Description: Surface mount; for hook style latch; **stainless steel**; can be used as a reinforcing plate for slotted end stiles.

You may wish to stock these related parts: **151291, 15410-F**.

151865

Keeper

Contents: 1 keeper; installation fasteners.

Description: **Zinc plated steel**; acts to reinforce the latch hole on the door jamb; fits on **Adams Rite**.

You may wish to stock these related parts: **14200-A, 151291, 152469, 15410, 15410-F**.

152502

Trim Plate

Contents: 1 trim plate; 1 fastener set.

Description: **Zinc plated steel** trim plate for adapting **152469** and **15410** mortise locks to wood door stiles.

You may wish to stock these related parts: **151291, 152469, 15187, 15410; 15410-F**.

15400-17

Keeper

Contents: 1 keeper; installation fasteners.

Description: Surface mount; for hook style latch; **stainless steel**; fits on **W&F** and other manufacturers.

You may wish to stock these related parts: **15410, 15410-F**.

152493

Keeper

Contents: 1 keeper; installation fasteners.

Description: **Stamped steel** keeper; narrow style design.

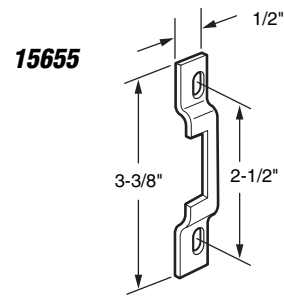
You may wish to stock these related parts: **14950; 14200-A; 14387; 151291; 152469; 15410, 15410-F**.

15655

Keeper

Contents: 1 keeper; installation fasteners.

Description: 1 stamped aluminum strike; fits on *Premier* series 210 doors.



15655

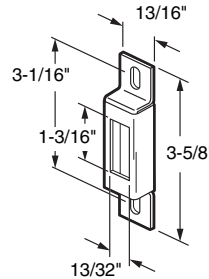
15400-20

Keeper

Contents: 1 keeper; installation fasteners.

Description: Surface mount; for hook style latch; zinc plated steel. Used by *W&F*.

Call for
Availability



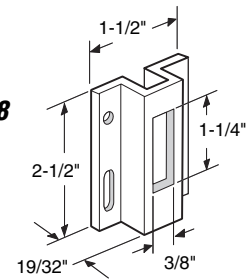
15400-20

152508 (White)

Keeper

Contents: 1 keeper; installation fasteners.

Description: Extruded aluminum; surface mount; for hook style latch; fits on *Viking*.



152508

152482 (Aluminum)

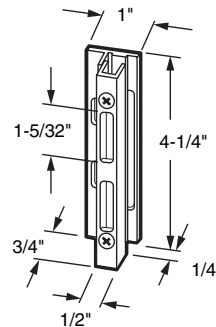
152482-B (Black)

Keeper

Contents: 1 adjustable latch strike; installation fasteners.

Description: Extruded aluminum strike has projection adjustment; fits on *Pacific* and other manufacturers.

You may wish to stock these related parts: **14206, 14950, 14377, 142231.**



**152482
152482-B**

152485 (Black)

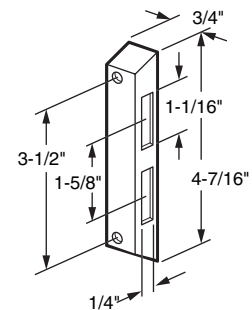
152518 (White)

Keeper

Contents: 1 keeper; installation fasteners.

Description: Side mount; plastic keeper with metal insert; special fastener package to attach keeper to jamb.

You may wish to stock these related parts: **14206, 142220, 142226, E-2078.**



**152485
152518**

152490 (Black)

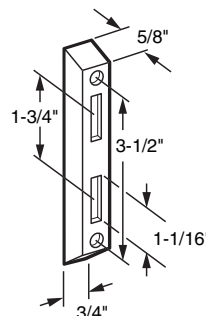
153497 (White)

Keeper

Contents: 1 keeper; installation fasteners.

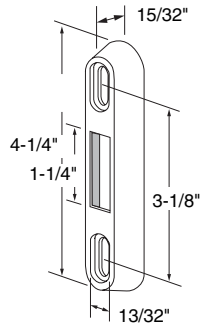
Description: Face mount; plastic keeper with metal insert.

You may wish to stock these related parts: **14206, 142053, 142220, 142226, E-2061.**



**152490
153497**

152509

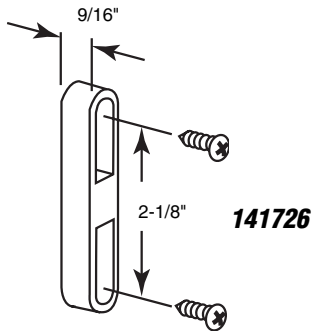


152509

Keeper

Contents: 1 keeper; installation fasteners.

Description: Diecast keeper; fits on *W&F*.



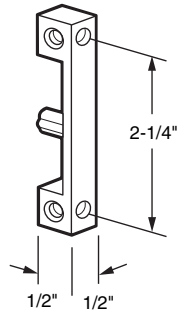
141726

Keeper

Contents: 1 keeper; installation fasteners.

Description: Zinc plated diecast adjustable keeper for mortise lock 141725.

152483
152483-B



152483 (Aluminum)

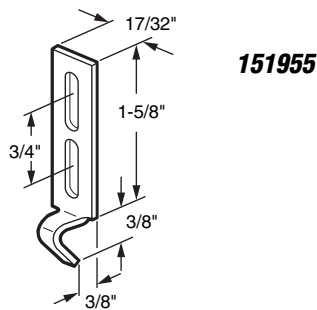
152483-B (Black)

Keeper

Contents: 1 keeper; installation fasteners.

Description: Heavy-duty diecast keeper; can be used for face or side mount.

You may wish to stock these related parts: **1233-R, 14950.**



151955

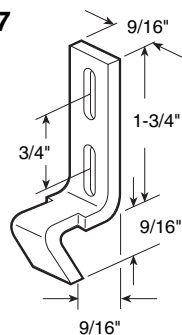
Keeper

Contents: 2 keepers; installation fasteners.

Description: Stamped steel keeper; screw slots allow for vertical adjustment.

You may wish to stock these related parts: **14186, 141866.**

152507



152507

Keeper

Contents: 2 keepers; installation fasteners.

Description: Stamped steel keeper; screw slots allow for vertical adjustment.

You may wish to stock these related parts: **151955.**

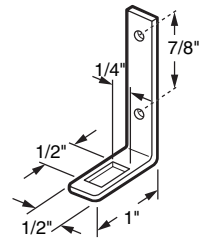
Sliding Patio Door

152494

Keeper

Contents: 1 keeper; installation fasteners.

Description: Stamped steel keeper; fits on *Daryl* and *Crossly*.



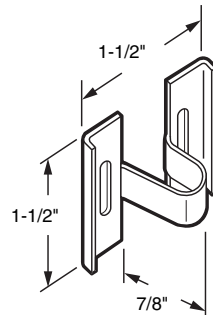
15669

Keeper

Contents: 1 keeper; installation fasteners.

Description: Stamped steel keeper; designed to work with mortise lock *E-2027*; fits on *Daryl Doors*.

You may wish to stock these related parts: **14421**, **14422**, **14426**.



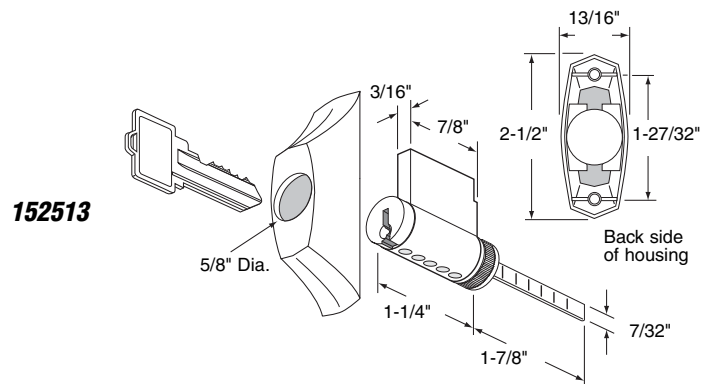
15669

152513 (White)

Keyed Locking Unit

Contents: 1 lock housing; 1 cylinder lock with 2 keys; installation fasteners.

Description: Diecast housing; used to convert **142263** to keyed locking handle.



152513

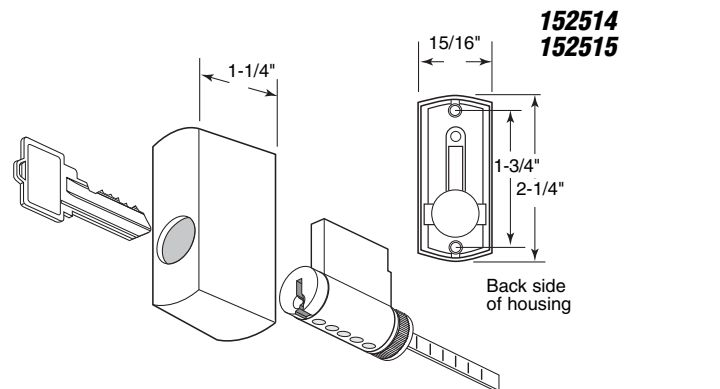
152514 (White)

152515 (Brass)

Keyed Locking Unit

Contents: 1 lock housing; 1 cylinder lock with 2 keys; installation fasteners.

Description: Diecast housing; used to convert **142260**, **142262** & **142264** to keyed locking handle.



152514
152515

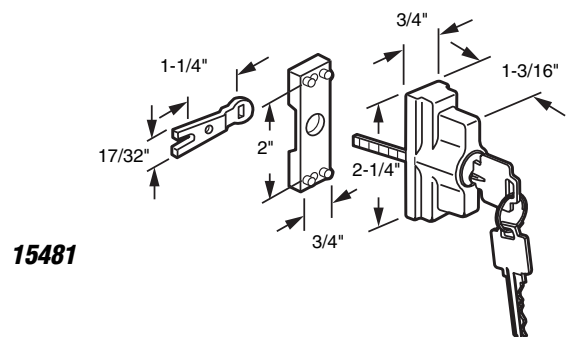
15481

Keyed Locking Unit

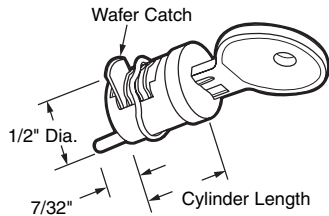
Contents: 1 lock housing; 1 lock activator yoke; 1 lock base; 1 cylinder lock with 2 keys; installation fasteners.

Description: Zinc diecast lock housing with activator yoke; plastic base; fits on *Guaranteed Products* to key lock **14479** handle set.

You may wish to stock these related parts: **14479**, **1505**, **15652**, **151310**.



15481



141388 (cylinder length - 13/16")
14418 (cylinder length - 7/8")
141389 (cylinder length - 1-1/4")

141388 (1" thick door)*
14418 (1-1/8" thick door)
141389 (1-1/2" thick door)

Cylinder Lock

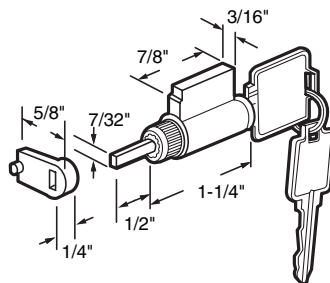
Contents: 1 lock with 2 keys.

Description: Wafer type; diecast housing; used to keylock most flush mount handle sets.

*This lock is also available **keyed alike**, in bulk, with a maximum 25 units per KA number available.

You may wish to stock these related parts: **141638, 141640, 14436, 141975, 14416.**

15968

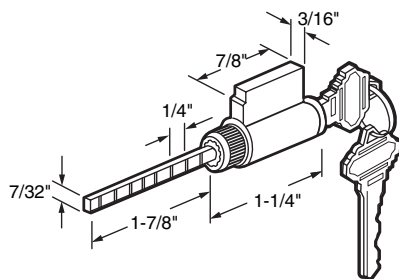


15968 (with adapter)

Cylinder Lock

Contents: 1 lock with 2 keys; 1 lock activator.

Description: 5 pin tumbler lock; solid brass housing; keyway is compatible with **Weiser, Kwikset** and **Weslock**; special diecast cam adapter; used by various manufacturers.



1505-SG-KD
1505-SG-KA

1505-SG-KD

1505-SG-KA (Keyed alike)

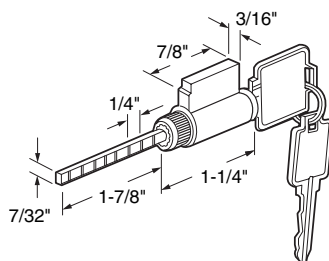
Cylinder Lock

Contents: 1 lock with 2 keys.

Description: 5 pin tumbler lock; hardened break-away tailpiece; **Schlage** keyway; used to keylock most surface mount handle sets.

You may also wish to stock these related parts: **1505, 15190, 15481.**

1505
1505-KA



1505

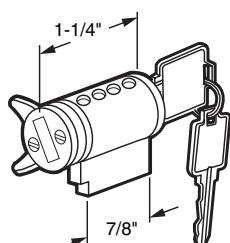
1505-KA (Keyed alike)

Cylinder Lock

Contents: 1 lock with 2 keys.

Description: 5 pin tumbler lock with 2 keys; hardened break-away tailpiece; keyway is compatible to **Weiser, Kwikset** & **Weslock**; used to keylock most surface mount handle sets.

You may also wish to stock these related parts: **14572-B, 15502, 15501, 15565-A.**



15189

15189

Cylinder Lock

Contents: 1 lock with 2 keys.

Description: 5-pin tumbler style lock with diecast latch activator; used to keylock **141235** handle; keyway is compatible to **Weiser, Kwikset** & **Weslock**.

You may wish to stock these related parts: **1505, 15190, 1505-SG-KD.**

Call for
Availability

15644

Cylinder Lock

Contents: 1 lock; 1 plastic housing; 2 keys.

Description: Wafer type; flat activator link 1/2" long; fits on *Wright Products*.

152179

Cylinder Lock

Contents: 1 lock; 2 keys.

Description: Key locking unit with flat tab; diecast construction; wafer type; fits on *Wright Products*.

14904

Cylinder Lock

Contents: 1 lock; 2 keys.

Description: Key lock used on **14903** handle; includes plastic activator tip.

You may wish to stock these related parts: **14903**, **14902**.

15620-2 (Brushed chrome)

Call for Availability

Cylinder Lock

Contents: 1 lock; 2 keys and installation fasteners.

Description: Solid brass double cylinder key lock, 5 pin tumbler used on multi-thickness security doors.

15565-A (Aluminum)

15565-B (Black)

Keyed Locking Pull

Contents: 1 outside pull; 1 locking cylinder; 1 cylinder clip.

Description: Extruded aluminum flush outside pull with keyed locking unit; locking unit tailpiece with break-off points; used by many manufacturers for **4-15/16" hole center** installations.

You may wish to stock these related parts: **1505**, **15502**.

15566-A (Aluminum)

15566-B (Black)

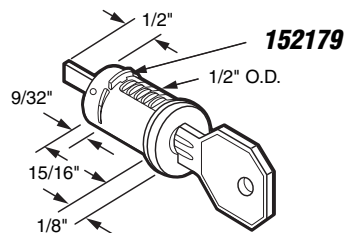
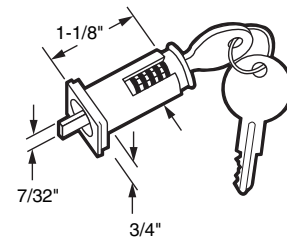
Keyed Locking Pull

Contents: 1 outside pull; 1 locking cylinder; 1 cylinder clip.

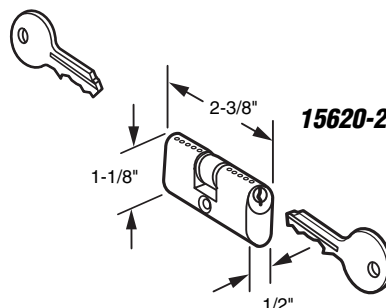
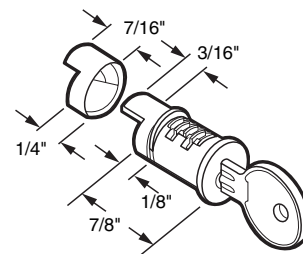
Description: Extruded aluminum flush outside pull with keyed locking unit; locking unit tailpiece with break-off points; used by many manufacturers for **3" hole center** installations.

You may wish to stock these related parts: **14347**, **142228**, **14538-B**, **1505**.

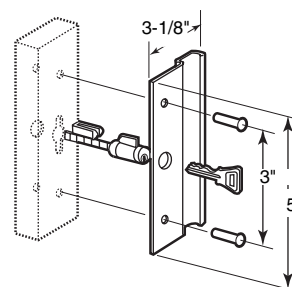
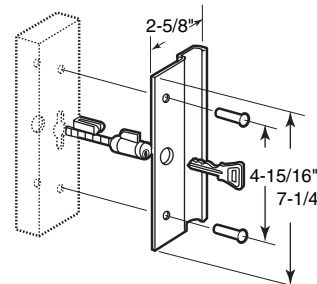
15644



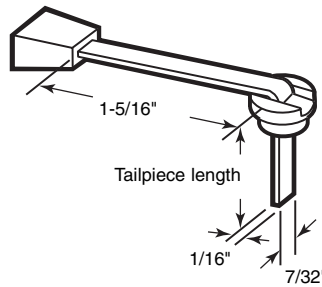
14904



15565-A
15565-B



15778
152512
151881



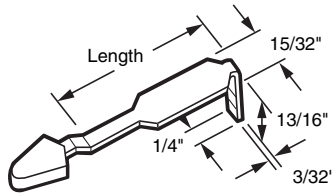
15778 (3/4" long tailpiece)
152512 (1" long tailpiece)
151881 (1-1/4" long tailpiece)

Latch Lever

Contents: 1 latch lever with plastic bushing.

Description: Steel latch lever with plastic thumb button.

You may wish to stock these related parts: **14346, 141841, 1505, 151291, E-2009, 15410, 15410-F.**



15806
15593

15806 (1-5/8")
15593 (2")

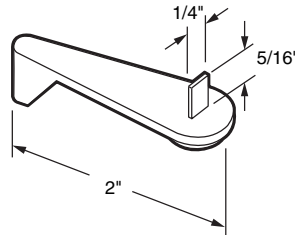
Latch Lever

Contents: 1 latch lever.

Description: Stamped steel lever with black plastic tip; fits on *Adams Rite*.

You may wish to stock these related parts: **151291, E-2009.**

15460



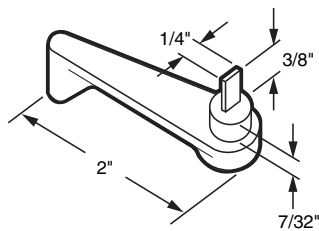
15460 (Black)

Latch Lever

Contents: 1 latch lever.

Description: Plastic with steel pin; fits on *Marshall* and others.

Call for
Availability



15199

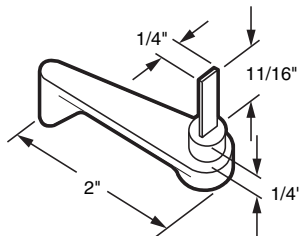
15199 (Gray)

Latch Lever

Contents: 1 latch lever.

Description: Plastic with steel pin; fits on *Arcadia* and other manufacturers.

152489

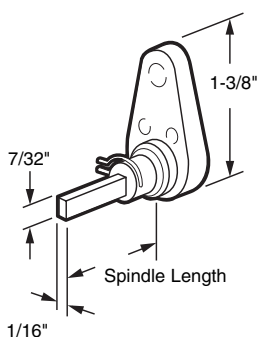


152489 (Gray)

Latch Lever

Contents: 1 latch lever.

Description: Plastic with steel pin; used by several manufacturers.



151034
151309

151034 (1" long spindle)
151309 (1-1/2" long spindle)

Latch Lever (Gray)

Contents: 1 lever, washer, spring washer and pin.

Description: Diecast latch lever with steel pin; fits on *Fleetwood* and other manufacturers.

You may wish to stock these related parts: **14421, 14422, 14184.**

15188

Latch Lever

Contents: 1 latch lever.

Description: Diecast with steel pin; fits on *Arcadia*.

Call for
Availability

14425

Latch Lever and Escutcheon Plate

Contents: 1 thumbturn and plate.

Description: Aluminum plate; diecast thumbturn with steel pin; used by many manufacturers

You may wish to stock these related parts: **14421**, **151291**, **E-2009**, **15400**, **15410**, **15410-F**, **151309**.

151035

Latch Lever and Escutcheon Plate

Contents: 1 latch lever; 1 plate, installation fasteners.

Description: Diecast lever with steel pin and aluminum plate; repair part for sliding patio door handles; fits on *Hollyview* and other manufacturers, popular part for **14184**.

You may wish to stock these related parts: **14421**, **14422**, **151291**, **152469**, **15400**, **15410**, **151034**, **151309**.

152516 (White)

Thumbturn and Escutcheon Plate

Contents: 1 thumbturn & plate; installation fasteners.

Description: Diecast thumbturn and plate, tail piece is 1-1/16" long and turned 45° from thumbturn.

You may wish to stock these related parts: **15410-F**, **141725**, **152510**.

14503

Latch Lever

Contents: 1 latch lever and rivet.

Description: Plastic lever; fits on *International* handle sets **14347**, **14538**, **142228**, **14538-B**.

152486

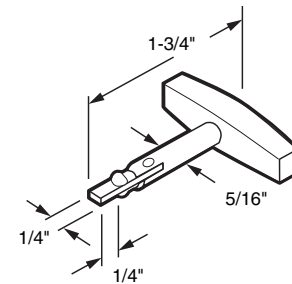
Latch Lever

Contents: 1 latch lever, 1 machine screw.

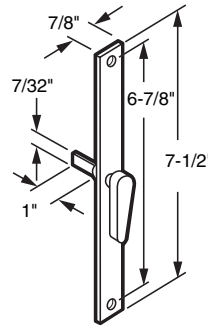
Description: Diecast lever; repair part for *Fullview* handle set **14200-A**.

You may wish to stock these related parts: **1233-R**, **14200-A**.

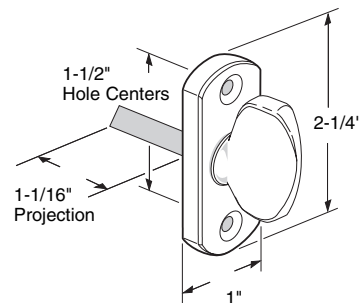
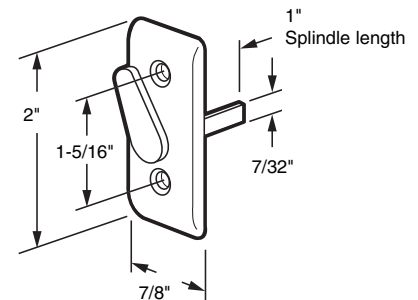
15188



14425

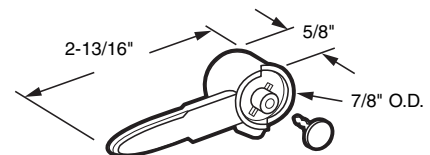


151035

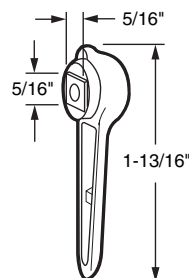


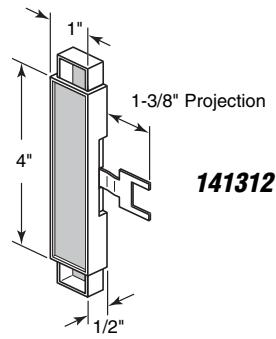
152516

14503

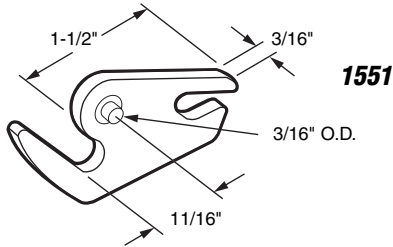


152486

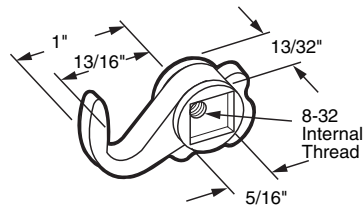




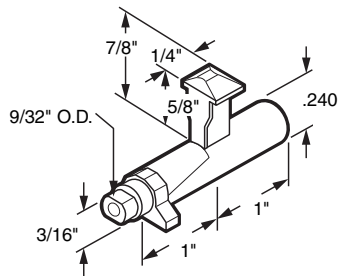
141312



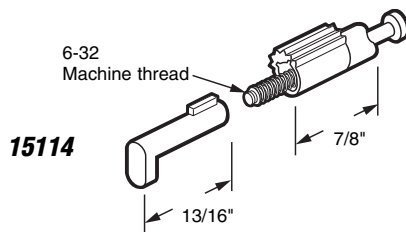
1551



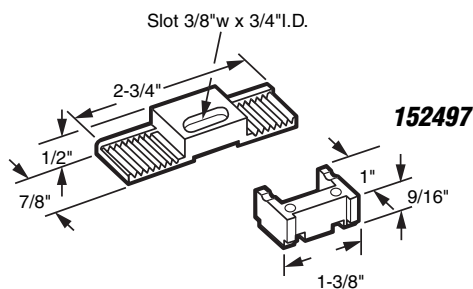
1511



152503



15114



152497

141312 (Black)

Slide Latch Assembly

Contents: 1 latch assembly; installation fasteners.

Description: Plastic housing with stamped steel activator fork; replacement latch for **14479** handle set, fits on *Guaranteed Products*.

You may wish to stock these related parts: **14479**, **13482**, **151527**, **151310**.

1551 Latch Hook

Contents: 1 latch hook.

Description: Diecast hook; repair part for *Horizon* door handle set **14300**.

Call for
Availability

1511 Latch Hook

Contents: 1 hook; 1 spring; installation fasteners.

Description: Diecast hook; repair part for old style *Fullview* surface mounted handle sets, **14200-A** & **14200-B**.

152503 Latch Hook

Contents: 1 hook.

Description: Diecast hook for 1-1/4" thick doors; as used on **14186** & **141866** handle sets.

15114 Latch Pins

Contents: 2 spring loaded latching assemblies.

Description: Plastic sleeves with steel inserts; locking pins fits on *Ador/HiLite* on **14183** & **14183-B** handle sets.

You may wish to stock these related parts: **14584-A**, **15585-A**, **14183**, **14183-B**, **E-2092**.

152497 Latch Repair Kit

Contents: 1 center gear slide; 2 end caps.

Description: Plastic component parts for *Adore/HiLite* locking mechanism on handle sets **14183** & **14183-B**.

You may wish to stock these related parts: **14183**, **14183-B**, **15114**.

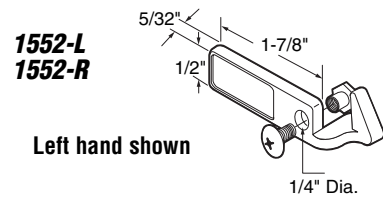
Sliding Patio Door

1552-L (Left hand)
1552-R (Right hand)

Latch Hook

Contents: 1 hook; 1 special binder post; 1 Phillips head machine screw.

Description: Diecast hook; repair part for *Trimview* patio door lock; specify left hand or right hand, viewing from inside.



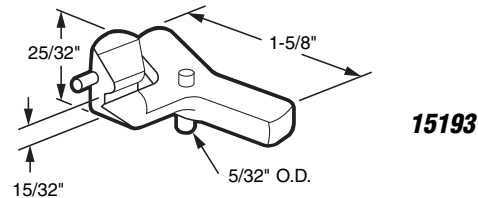
15193

Latch Lever

Contents: 1 latch lever.

Description: Diecast latch; fits on *Trimview* handle set 1495.

You may also wish to stock these related parts: 1495, 15194, 15195.



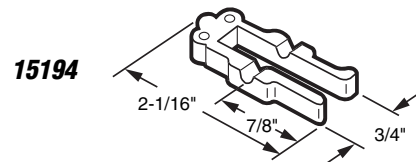
15194

Latch Yoke

Contents: 1 yoke.

Description: Diecast yoke; fits on *Trimview* handle set 1495.

You may wish to stock these related parts: 1495, 15193, 15195.



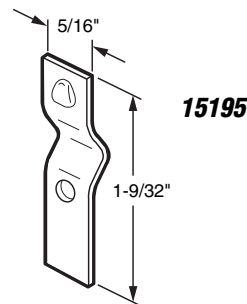
15195

Latch Spring

Contents: 1 spring.

Description: Steel latch spring; fits on *Trimview*, repair part for 1495 handle set.

You may wish to stock these related parts: 1495, 15193, 15194.



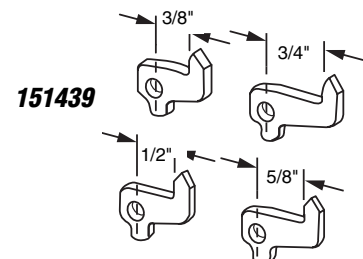
151439

Hook Set

Contents: 4 Hooks.

Description: Stamped steel hooks for flush style lock assemblies; 4 projections; universal design.

You may also wish to stock these related parts: 141638, 141642, 14436, 141975.



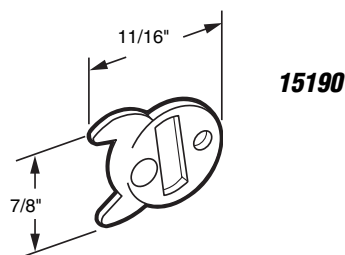
15190

Lock Adapter

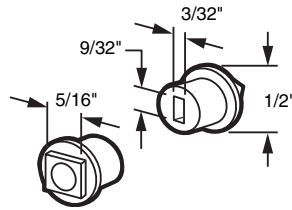
Contents: 1 adapter.

Description: Diecast adapter; used as lock activator on 15189 locking cylinder.

You may wish to stock these related parts: 15189, 1495, 15194, 15193.



15501



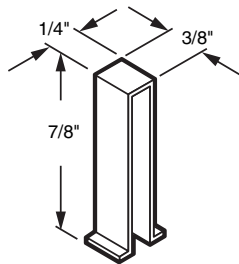
15501

Locking Cylinder Adapter

Contents: 1 adapter.

Description: Diecast adapter; provides connection between cylinder lock and latch assembly used with **14200-A** handle set.

You may wish to stock these related parts: **1449, 14538-B, 1505.**



15502

15502

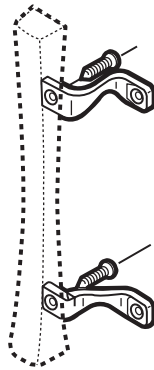
Lock Clip

Contents: 1 clip.

Description: Lock retainer clip; **spring steel**; holds cylinder in place on many doors.

You may wish to stock these related parts: **1505, 15565, 15566-B.**

151784



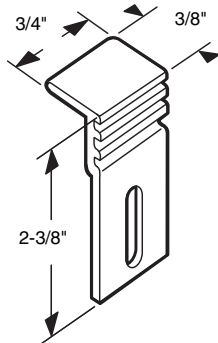
151784

Handle Brackets

Contents: 1 left hand and 1 right hand bracket; 1 fastener set.

Description: Diecast chrome plated bracket set for attaching wood handles.

You may wish to stock these related parts: **141638, 141642.**



14966
14966-B

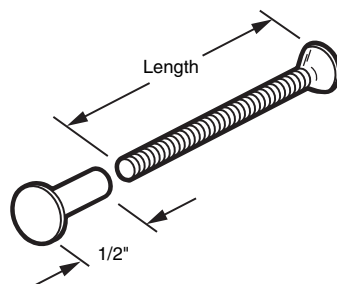
14966 (Aluminum)

14966-B (Bronze)

Panel Clip

Contents: 4 Clips and installation screws.

Description: Used to secure stationary panel on **Ador/HiLite** series 1200 patio door.



15832-E (1" Aluminum)

15832-A (1-1/4" Aluminum)

15832-B (1-1/2" Aluminum)

15832-C (2" Aluminum)

15832-D (2-1/4" Aluminum)

152484-E (1" Black)

152484-A (1-1/4" Black)

152484-B (1-1/2" Black)

152484-C (2" Black)

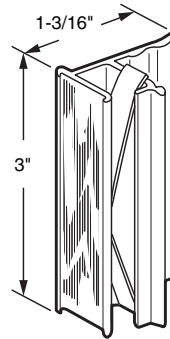
152484-D (2-1/4" Black)

Binder Posts and Fasteners

Contents: (2) 1/2" binder posts; 2 Phillips flat head machine screws.

Description: Used for attaching handle sets to sliding patio doors and sliding screen doors; check part numbers for screw length.

172382
172383



172382* (Aluminum finish)
172383 (Bronze finish)

Pull and Latch

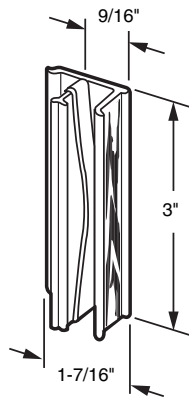
Contents: 1 pull with spring.

Description: Extruded aluminum latch and pull with wood grain feature strip; self-latching spring-loaded action; fits on *Keller Industries*.

* Call for availability on this item.

You may also wish to stock these related parts: **17813**.

17587
17587-B



17587 (Aluminum)
17587-B (Black)

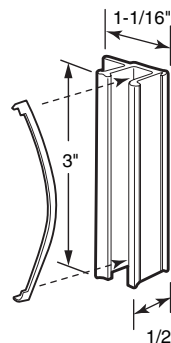
Pull and Latch

Contents: 1 extruded aluminum pull with spring.

Description: Adjustable, self-latching handle; position can be raised or lowered for convenience; fits on *International* on "Roller King-Queen" windows.

You may also wish to stock these related parts: **172001**, **17239**.

171652



171652 (Black finish)

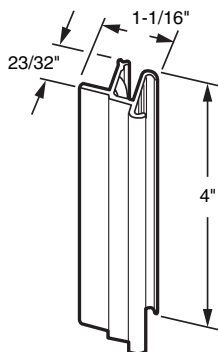
Pull and Latch

Contents: 1 extruded aluminum pull with spring.

Description: Adjustable, self-latching handle; position can be raised or lowered for convenience; fits on *Guaranteed Products*.

You may also wish to stock these related parts: **17754**, **171648**, **171540**, **171538**, **171572**.

17473



17473 (Black)

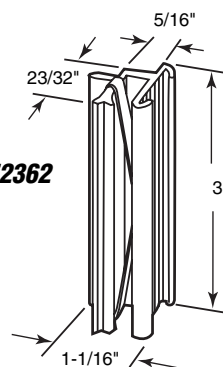
Pull and Latch

Contents: 1 plastic extruded pull with spring.

Description: Adjustable, self-latching handle; position can be raised or lowered for convenience; fits on *Rusco-HiLite*.

You may also wish to stock these related parts: **172362**, **17474**, **17474-S**.

172362



172362 (Black)

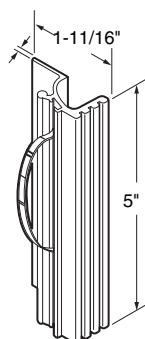
Pull and Latch

Contents: 1 plastic extruded pull with spring.

Description: Adjustable, self-latching handle; position can be raised or lowered for convenience; fits on *Rusco-HiLite*.

You may also wish to stock these related parts: **17473**, **17474**, **17474-S**.

17401



17401 (Aluminum finish)

Pull and Latch

Contents: 1 extruded aluminum pull with spring.

Description: Adjustable, self-latching handle with wood grain feature strip; can be raised or lowered for convenience; fits on *Lupton*.

You may also wish to stock these related parts: **17813**.

Sliding Window Latches

171991 (Black)

Pull and Latch

Contents: 1 latch with spring.

Description: Plastic handle; spring-loaded automatic latching feature; fits on *Bee Cee*.

You may also wish to stock these related parts: **172527**, **172535**, **172544**.

172443-B (Black finish)

172443-W (White finish)

Pull and Lock

Contents: 1 pull; 1 lock assembly with spring.

Description: Adjustable; self latching handle; diecast assembly utilizing a secondary night lock for additional security; fits on *Superior*.

You may also wish to stock these related parts: **17239**, **172569**.

172361 (Aluminum finish)

17237 (Black finish)

Pull and Latch

Contents: 1 extruded aluminum pull with spring latch assembly.

Description: Adjustable, self-latching handle; position can be raised or lowered for convenience; fits on *Hi-Lite* convertible windows.

Note: Repair part for this item is: **17506**.

You may wish to stock these related parts: **17144**, **172546**, **17474-S**.

172384 (Aluminum finish)

172385 (Bronze finish)

Pull and Latch

Contents: 1 latch assembly; 1 set of installation screws.

Description: Aluminum extruded handle; wood grain feature strip; black plastic mounting bracket; fits on *Tomrays Tyco 66* single glazed windows.

You may wish to stock these related parts: **17610**.

172386 (Aluminum finish)

Pull and Latch

Contents: 1 latch assembly; 1 set of installation screws.

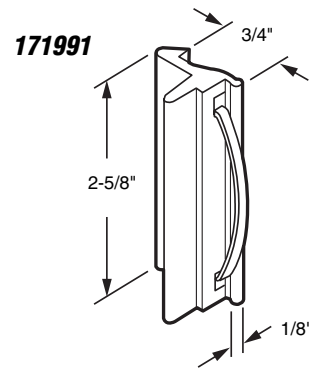
Description: Aluminum extruded handle; wood grain feature strip; black plastic mounting bracket; fits on *Tomrays Tyco 77* dual-glazed windows.

17553 (Black)

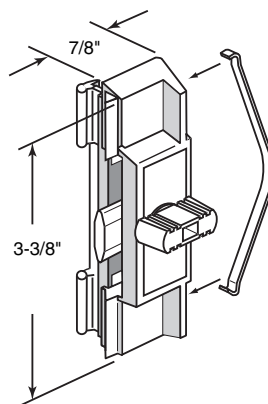
Pull and Latch

Contents: 1 plastic pull assembly with spring; 1 set of installation screws.

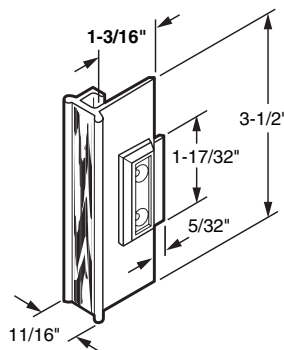
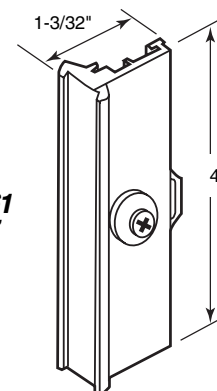
Description: Automatic latching feature; surface mount; used by several window manufacturers.



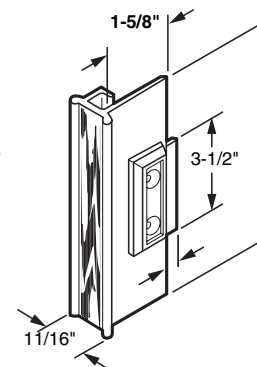
172443-B
172443-W



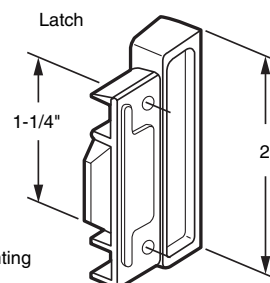
172361
17237



172384
172385

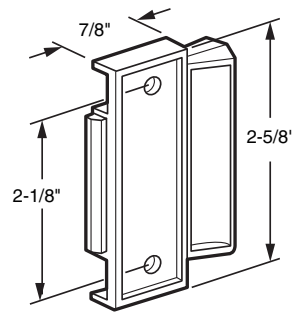


172386



17553

17505

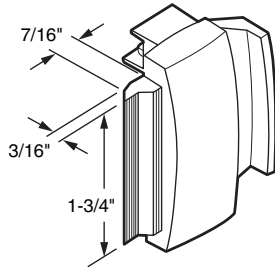


17505 (White)

Pull and Latch

Contents: 1 plastic pull with 2 springs, 1 set of installation screws.

Description: Automatic latching feature; surface mount; used by several window manufacturers.



172366
172367

172366 (Gray finish)

172367 (Bronze finish)

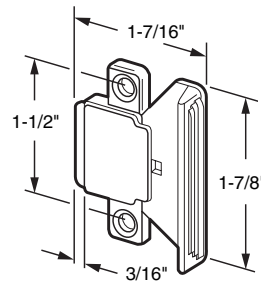
Pull and Latch

Contents: 1 latch assembly.

Description: Diecast, spring-loaded latch designed for *Crossly* windows; self-latching feature.

You may wish to stock these related parts: **172529**.

17238

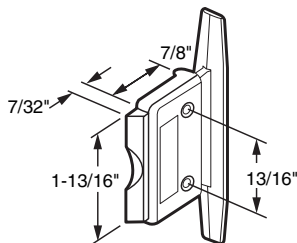


17238 (Brite zinc)

Pull and Latch

Contents: 1 diecast latch assembly with spring; 1 set of installation screws.

Description: Automatic latching feature; surface mount; for left or right hand windows; used by several window manufacturers.



17371

17371 (Black)

Pull and Latch

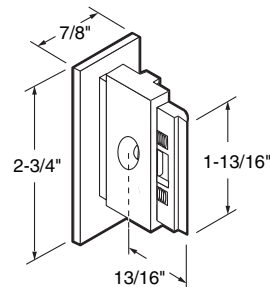
Contents: 1 latch assembly; 1 set of installation screws.

Description: Plastic; spring-loaded latch; fits on *Rolleze* windows.

Note: Part no. **171754** replaces this part.

You may wish to stock these related parts: **171391**.

171754



171754 (Black)

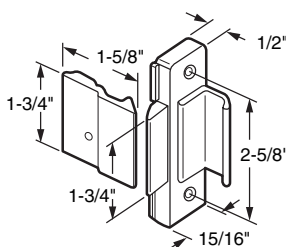
Pull and Latch

Contents: 1 pull assembly; 1 set of installation screws.

Description: Plastic construction; spring-loaded latch; fits on *Rolleze* windows.

Note: This latch replaces **17371**.

You may wish to stock these related parts: **171391**, **171722**.



172364
173500

172364 (Aluminum finish)

173500 (Bronze finish)

Pull and Latch

Contents: 1 latch assembly; 1 strike; 1 set of installation screws.

Description: Combination of diecast and extruded aluminum parts to form self-latching, spring-loaded latch for *International* windows.

You may wish to stock these related parts: **17239**, **172110**, **172568**, **172569**.

Call for
Availability

Sliding Window Latches

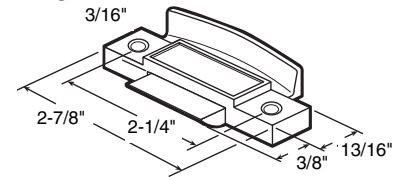
172420 (Black finish)

Pull and Latch

Contents: 1 latch assembly; 1 set of installation screws.

Description: Heavy-duty **diecast** construction; **spring-loaded latch** for smooth non-binding operation. This handle will fit a variety of retro-fit window applications.

172420



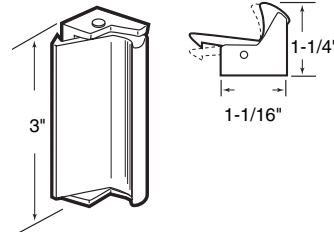
17899 (Black)

Pull and Latch

Contents: 1 pull assembly; 1 set of installation screws.

Description: **Plastic pull and latch**; **spring loaded**; self latching; fits on *Premiere Series 510 Imperial* windows.

You may wish to stock these related parts: **17901**.



17899

17719 (Black)

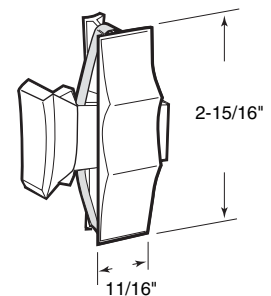
Pull and Latch

Contents: 1 latch assembly; 1 set of installation screws.

Description: **Vinyl** construction; spring activated latch handle; fits on *Marshall Windows*.

Call for Availability

17719



17735 (Aluminum finish)

Pull and Latch

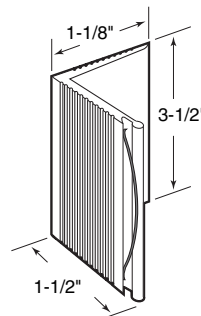
Contents: 1 latch with spring.

Description: **Extruded aluminum** pull; self latching; **spring loaded**; fits on *Premiere integral muntin* windows.

You may wish to stock these related parts: **17325**, **17813**, **17721**.

Call for Availability

17735



17736 (Aluminum finish)

Pull and Latch

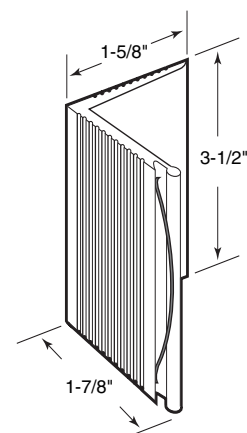
Contents: 1 latch with spring.

Description: **Extruded aluminum** pull; self latching; **spring loaded**; fits on *Premiere dual glazed* windows.

You may wish to stock these related parts: **17739**.

Call for Availability

17736



172407 (Aluminum finish)

Pull and Latch

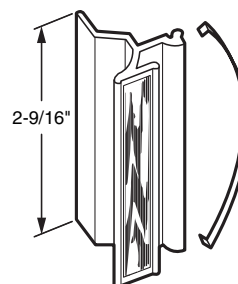
Contents: 1 latch with spring.

Description: **Extruded aluminum** pull with wood grain feature strip; self-latching; adjustable; fits on *Daryl Industries*.

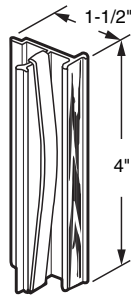
You may wish to stock these related parts: **17429**.

Call for Availability

172407



17588
17588-B



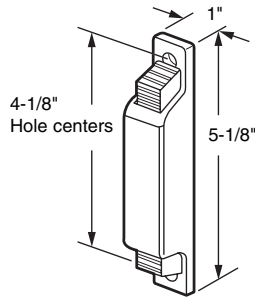
17588 (Aluminum finish)
17588-B (Bronze finish)

Pull and Latch

Contents: 1 pull and spring.

Description: Extruded aluminum pull; self latching; adjustable; fits on *International "Imperial"* windows.

You may wish to stock these related parts: **171863**, **171648**.



172365

172365 (Gray)

Pull and Latch

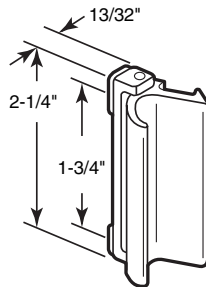
Contents: 1 pull assembly; 1 set of installation screws.

Description: Plastic construction; spring loaded latch; fits on *Cupples* windows.

You may wish to stock these related parts: **172488**.

Call for
Availability

172409

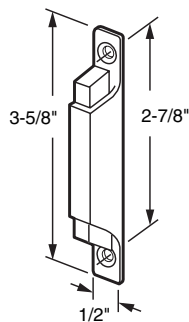


172409 (Aluminum finish)

Pull and Latch

Contents: 1 latch assembly.

Description: Diecast housing with spring-loaded, extruded aluminum latch; fits on *Keller Industries*.



17322

17322 (White)

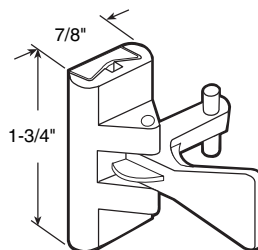
Pull and Latch

Contents: 1 plastic pull with steel latch assembly; 1 set of installation screws.

Description: Automatic latching feature; surface mount; fits on *Air Control (Keller)*.

You may wish to stock these related parts: **17139**.

172417



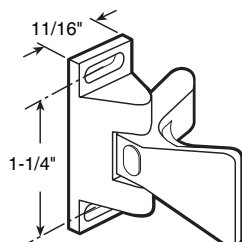
172417 (Beige)

Latch

Contents: 1 latch and keeper; 2 installation screws.

Description: Plastic latch assembly for aluminum framed windows.

Call for
Availability



172416

172416 (Beige)

Latch

Contents: 1 latch; 2 installation screws.

Description: Plastic latch assembly for aluminum framed windows.

Call for
Availability

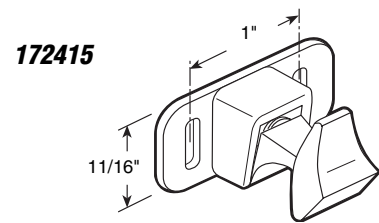
Sliding Window Latches

172415 (White)

Latch

Contents: 1 latch; 2 installation screws.

Description: Plastic latch assembly; spring-loaded; for horizontal sliding windows.

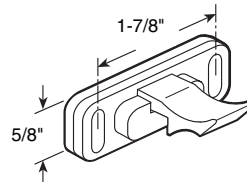


172419 (White)

Latch

Contents: 1 latch; 2 installation screws.

Description: Plastic latch assembly; spring loaded; for sliding windows.



172419

17368-L (Left)

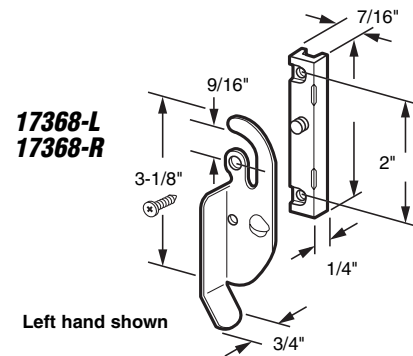
17368-R (Right)

Latch (Black finish)

Contents: 1 window latch; 1 lock guide; 1 - #10x5/8" Phillips pan head sheet metal screw.

Description: Stamped steel latch with plastic guide bracket; for sliding windows manufactured by *Likit*.

You may wish to stock these related parts: **172551, 17680.**



**17368-L
17368-R**

Left hand shown

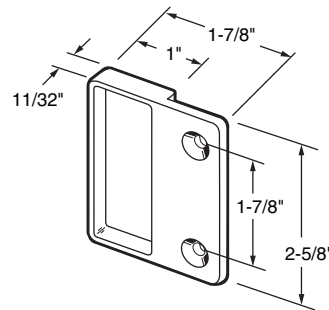
172387 (Black)

Pull

Contents: 1 pull; 1 set of installation screws.

Description: Plastic construction; universal application; can be used as a secondary pull or a child's pull.

You may wish to stock these related parts: **171700, 171700-B.**



172387

17228-L (1 per card)

172908-L (2 per card)

17228-R (1 per card)

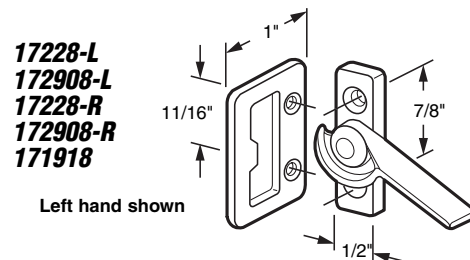
172908-R (2 per card)

171918 (1 left and 1 right)

Latch (Bright Zinc)

Contents: Latch & keeper with installation screws.

Description: Diecast latch and keeper used on both residential and RV sliding windows.



**17228-L
172908-L
17228-R
172908-R
171918**

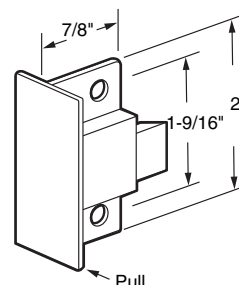
Left hand shown

171759 (Black finish)

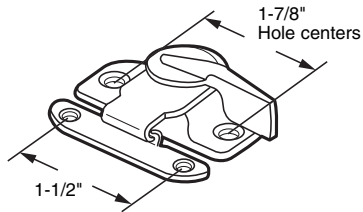
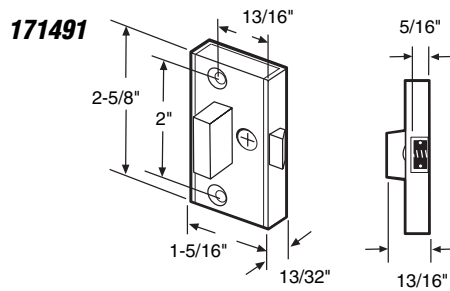
Pull and Latch

Contents: 1 latch assembly; 1 set of installation screws.

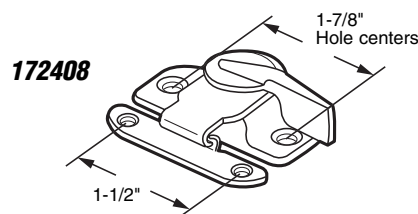
Description: Diecast spring loaded latch; fits on *Window Master Series 216* windows.



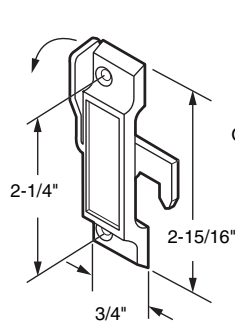
171759



17574
17573
172397
172427



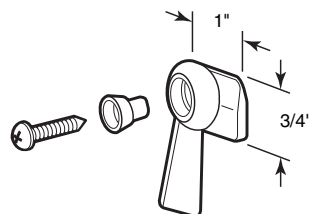
172408



Old Style

17484
171536

171916-L
171916-R
171981
172410-L
172410-R
172587-L
172587-R



Left hand shown

171491 (Black oxide finish)

Lock

Contents: 1 lock; 1 set of installation screws.

Description: Heavy-duty **steel** design; originally fits on *Guaranteed Products*. **Spring-loaded latch** projects 1/4" from edge of housing.

17574 (Chrome finish)

17573 (Brass finish)

172397 (Antique brass finish)

172427 (White finish)

Sash Lock

Contents: 1 sash lock; 1 keeper; 1 set of installation screws.

Description: Cam-action sash lock; universal design; **stamped steel** construction.

You may wish to stock these related parts: **171119**, **172588**.

172408 (Polished brass)

Sash Lock

Contents: 1 sash lock; 1 keeper; 1 set of installation screws.

Description: **Heavy duty brass** construction; cam-style latch action; used on single or double hung windows.

You may wish to stock these related parts: **171119**, **172588**.

17484 (Black finish)

171536 (White finish)

Sash Lock

Contents: 1 lock; 2 installation screws.

Description: **Diecast construction**. This lock does not use a keeper, the latch engages the fixed rail to lock window; fits on *Guaranteed Products* and others.

You may wish to stock these related parts: **17755**, **17483**.

171916-L (Left hand - **diecast** chrome finish)

171916-R (Right hand - **diecast** chrome finish)

171981 (1 right 1 left - **diecast** chrome finish)

172410-L (Left hand - **black plastic**)

172410-R (Right hand - **black plastic**)

172587-L (Left hand - **diecast** black finish)

172587-R (Right hand **diecast** black finish)

Sash Lock

Contents: 2 locks; 2 bushings; 2 installation screws.

Description: Sash lock for both horizontal and vertical sliding windows; for camper shell and RV type windows.

Sliding Window Latches

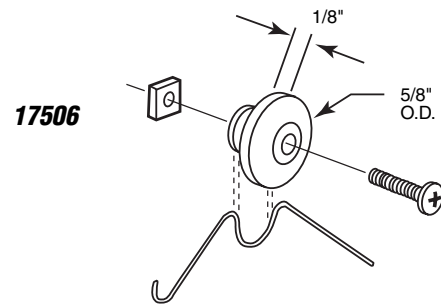
17506

Spring Latch Assembly

Contents: 1 nylon latch release button; 1 wire spring; 1 - #6-32 x 1/2" Phillips pan head machine screw with nut.

Description: Repair part for **172361**.

You may wish to stock these related parts: **17144**.

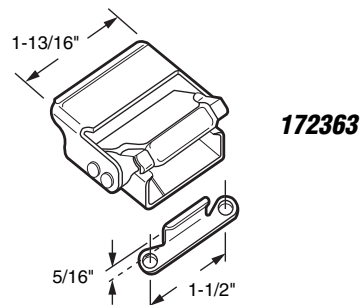


172363 (Bronze finish)

Lock

Contents: 1 lock; 1 keeper; 1 set of installation screws.

Description: Steel housing and strike; bronze powder coat paint; spring-loaded retraction during latching for snug fit; fits on *Hehr* and others.

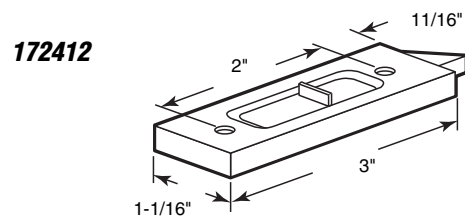


172412 (White)

Tilt Latch

Contents: 1 left hand latch; 1 right hand latch; 1 set of installation screws.

Description: Spring-loaded vinyl tilt latch; used on, single or double-hung, aluminum or vinyl windows; for use on sash panels designed to tilt in and down from the top.

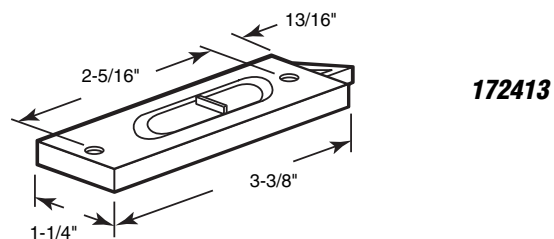


172413 (White)

Tilt Latch

Contents: 1 left hand latch; 1 right hand latch 1 set of installation screws.

Description: Spring-loaded vinyl tilt latch; used on, single or double-hung, aluminum or vinyl windows; for use on sash panels designed to tilt in and down from the top.

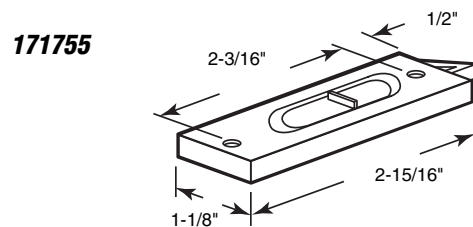


171755 (White)

Tilt Latch

Contents: 1 left hand latch; 1 right hand latch; 1 set of installation screws.

Description: Spring-loaded vinyl tilt latch; used on, single or double-hung, aluminum or vinyl windows; for use on sash panels designed to tilt in and down from the top.

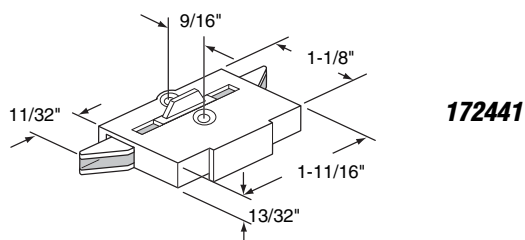


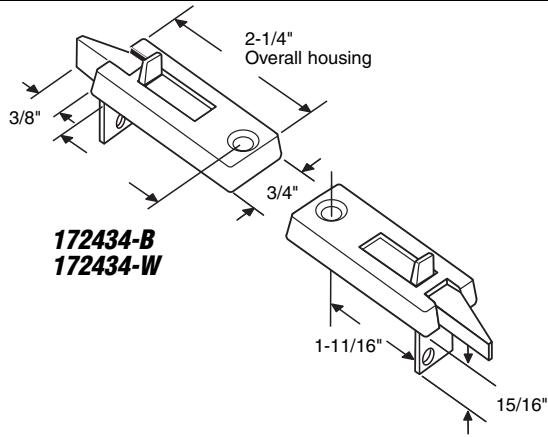
172441 (Black)

Tilt Latch

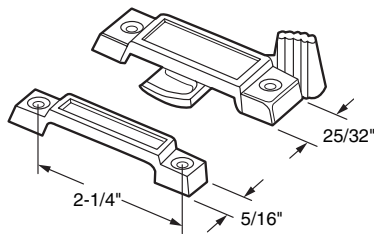
Contents: 1 latch with screws.

Description: Spring loaded vinyl tilt latch; may be used as left hand or right hand; used on, single or double hung, aluminum or vinyl windows; fits on *Acorn Windows*.



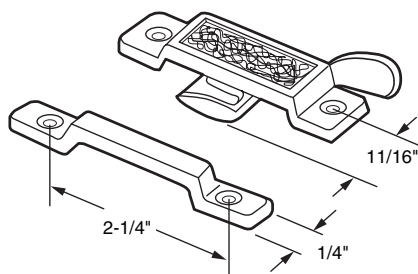
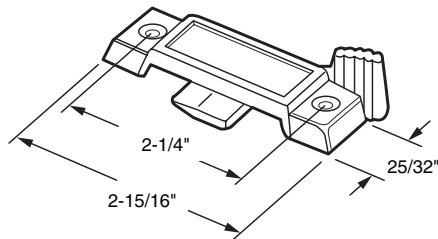


172434-B
172434-W



17755-CR
17755
17755-W
17756
172442

171949
171949-W
171976
173232
172411
172411-W



172577

172434-B (Black)
172434-W (White)

Tilt Latch

Contents: 1 left hand; 1 right hand; 1 set of installation screws.

Description: Spring loaded vinyl tilt latch; used on, single or double hung, aluminum windows; unique wrap-around design attaches to top rail and stile; fits on tilt-out windows by *Better Built*.

You may wish to stock these related parts: **171864**, **171982**.

17755-CR (Chrome finish)
17755 (Black finish)
17755-W (White finish)
17756 (Black finish - keyed)
172442 (Brass finish)

Sash Lock

Contents: 1 lock; 1 keeper; 1 set of installation screws.

Description: Diecast construction; fits aluminum, vinyl or wood double-hung windows; cam-action lock holds window securely closed; universal design.

You may wish to stock these related parts: **172380**, **171568-W**, **171568**.

171949 (3/8" latch projection, black finish)
171949-W (3/8" latch projection, white finish)
171976 (3/8" latch projection, bronze finish)
173232 (3/8" latch projection, gray finish)
172411 (1/2" latch projection, black finish)
172411-W (1/2" latch projection, white finish)

Sash Lock

Contents: 1 lock; 2 installation screws.

Description: Diecast construction. This lock does not use a separate keeper, the latch engages the fixed rail to lock the window; used on vertical and horizontal sliding windows.

You may wish to stock these related parts: **171568-W**, **172436**.

172577 (White bronze)

Sash Lock

Contents: 1 lock; 1 keeper; 1 set of installation screws.

Description: Cast white bronze; heavy duty cam action lock holds window securely locked; stainless steel screws; designed for long term durability.

Sliding Window Latches

- 171118** (Brass finish - 1 per card)
- 172909** (Brass finish - 2 per card)
- 172398** (Antique brass finish - 2 per card)
- 172428** (White finish - 2 per card)

Sash Lock

Contents: Lock with keeper and installation screws.

Description: Cam-type sash lock found on most wood double-hung windows; **stamped steel** construction.

You may wish to stock these related parts: **171119, 172395, 172396, 171568-W.**

- 171117** (Brass finish)
- 17701** (Antique brass finish)
- 172430** (White finish)

Sash Lock

Contents: 1 lock; 1 keeper; 1 set of installation screws.

Description: Cam-type sash lock; spring action cam; used on many double-hung windows; **zinc diecast** construction.

You may wish to stock these related parts: **172395, 172588, 171568-W.**

- 172414** (Polished brass)

Sash Lock

Contents: 1 lock; 1 keeper; 1 set of installation screws.

Description: **Heavy duty solid brass**; cam-type latch action; used on single or double hung windows.

You may wish to stock these related parts: **172395, 171568-W.**

- 172848** (Bronze finish)
- 172849** (White finish)

Sash Lock

Contents: 1 lock; 1 strike; 1 set of installation screws.

Description: **Heavy-duty diecast** construction; cam style lock used on many double-hung wood windows.

You may wish to stock these related parts: **172588.**

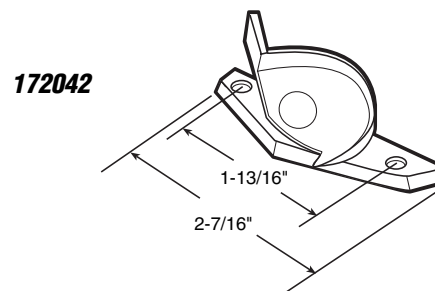
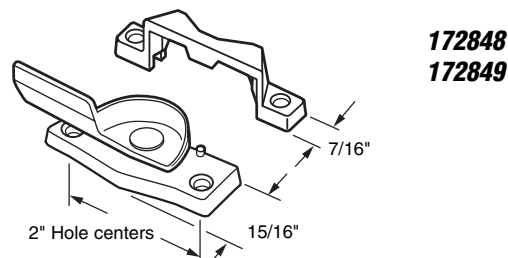
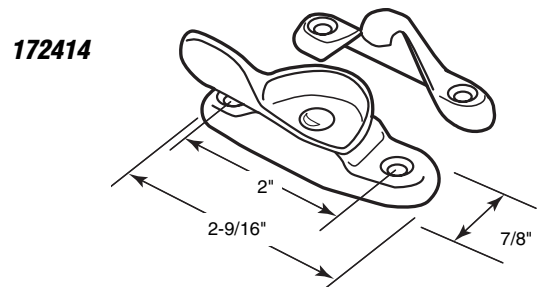
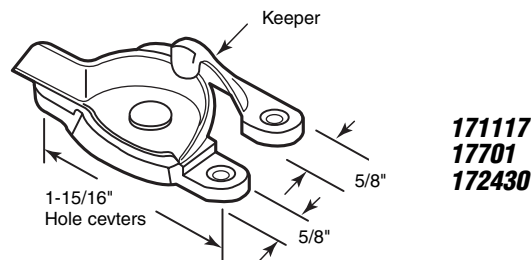
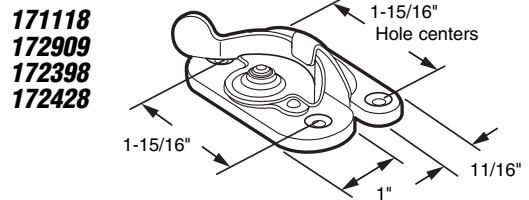
- 172042** (Black finish)

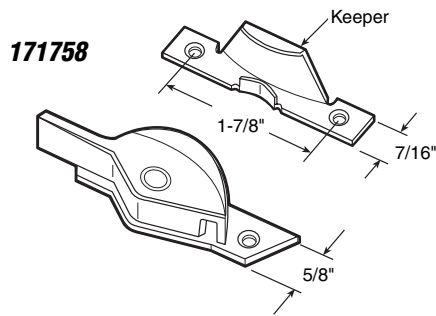
Sash Lock

Contents: 1 lock; 1 set of installation screws.

Description: **Diecast** sweep lock fits on **Croft** windows. This lock does not use a separate keeper, the latch engages the fixed rail to lock window.

You may wish to stock these related parts: **17271, 171829.**





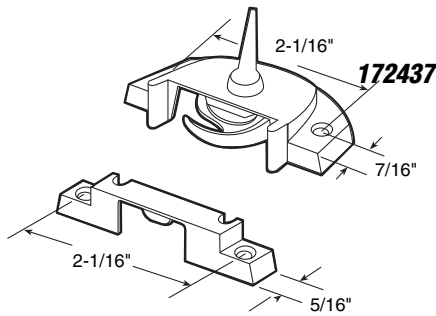
171758 (Brass finish)

Sash Lock

Contents: 1 lock; 1 keeper; 1 set of installation screws.

Description: Heavy-duty diecast lock with stamped steel keeper; cam-type lock; used on many double hung wood windows.

You may wish to stock these related parts: **172395**, **172588**.



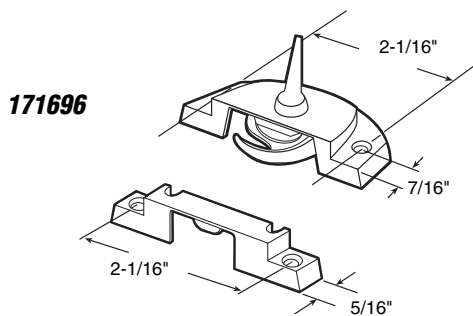
172437 (Brass finish)

Sash Lock

Contents: 1 lock; 1 keeper; 1 set of installation screws.

Description: Diecast construction; cam-type action pulls meeting rails tightly together; alignment lugs prevent shifting of rails during locking.

You may wish to stock this related part: **172395**.



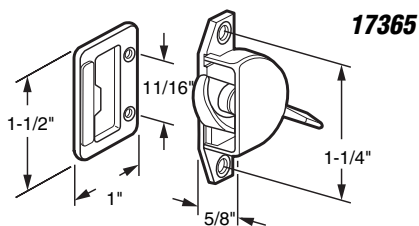
171696 (White finish)

Sash Lock

Contents: 1 lock; 1 keeper; 1 set of installation screws

Description: Diecast construction; baked enamel finish; cam-type action; used on aluminum and vinyl windows.

You may wish to stock these related parts: **171568-W**.

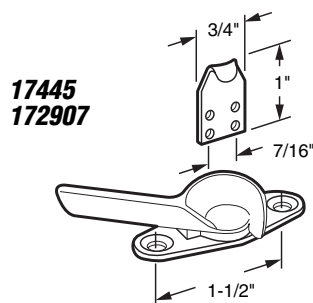


17365 (Brite zinc)

Sash Lock

Contents: 1 lock, 1 keeper, 1 set of installation screws.

Description: Cam-type sash lock, heavy-duty diecast housing; concealed latch; smooth operating action; used by many window manufacturers.



17445 (Brite zinc - 1 per card)

172907 (Brite zinc - 2 per card)

Sash Lock

Contents: lock; keeper; installation screws.

Description: Cam-type sash lock, diecast housing, steel keeper; fits on Daryl windows and others.

You may wish to stock these related parts: **172110**.

Sliding Window Latches

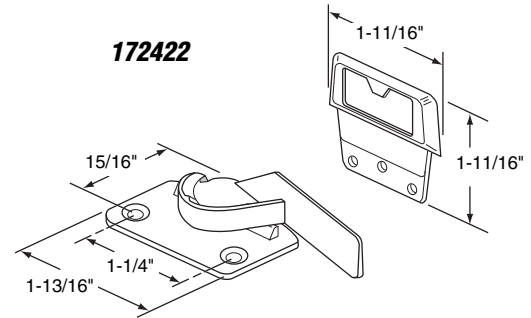
172422 (Brite zinc)

Sash Lock

Contents: 1 lock; 1 keeper; 1 set of installation screws.

Description: Diecast construction; fits on *Season All* on sliding windows

You may wish to stock these related parts: **17271**, **171829**.



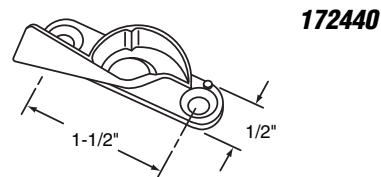
172440 (Brite zinc)

Sash Lock

Contents: 2 locks; 2 sets of installation screws.

Description: Diecast construction; fits on single hung windows by *Keller*.

You may wish to stock these related parts: **17271**, **171829**.



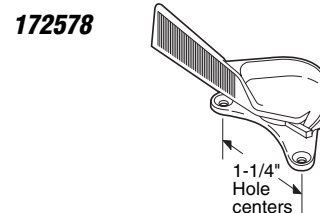
172578 (Nickel plated)

Sash Lock

Contents: 2 locks; 2 sets of installation screws.

Description: Heavy duty diecast construction; nickel plated; used on double hung wood windows.

You may wish to stock these related parts: **171568**.



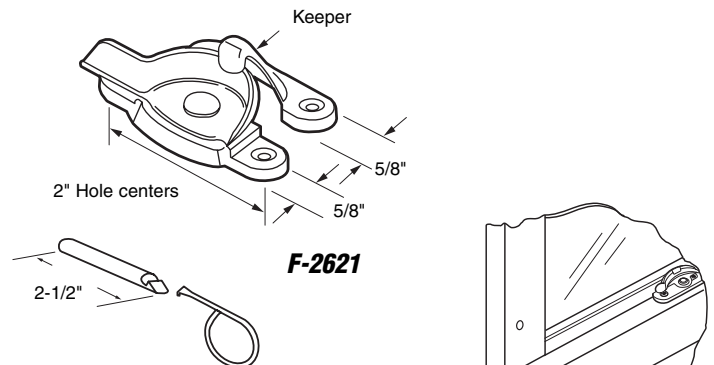
F-2621 (Brass finish)

Sash Lock with Security Pins

Contents: 1 lock; 1 keeper; 2 pins; 1 removal key and 1 set of installation screws.

Description: Diecast lock and keeper; used on wood sash windows. Steel pins are installed thru front sash into rear sash to offer **tamper-proof security**; easily removed with special key.

You may wish to stock these related parts: **172395**, **171119**.



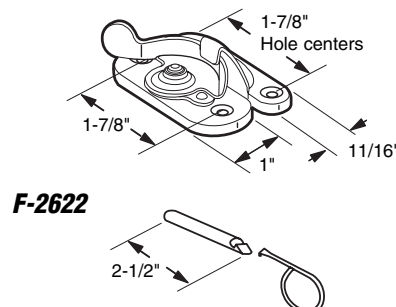
F-2622 (Brass finish)

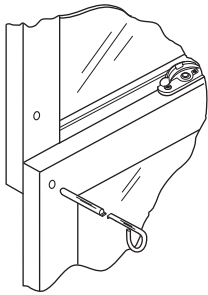
Sash Lock with Security Pins

Contents: 1 lock; 1 keeper; 2 pins; 1 removal key and 1 set of installation screws.

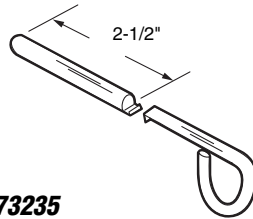
Description: Stamped steel lock and keeper; used on wood sash windows. Steel pins are installed thru front sash into rear sash to offer **tamper-proof security**; easily removed with special key.

You may wish to stock these related parts: **172395**, **171119**.





173235

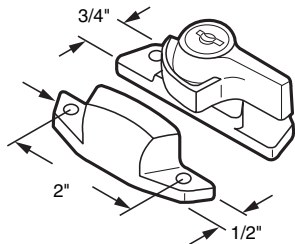


173235 (Brass finish)

Security Pins

Contents: 8 pins; 4 removal keys.

Description: Steel pins are installed thru front sash into rear sash to offer **tamper-proof security**; easily removed with special key. Use 2 pins per window.



17695-BB
17695-W

17695-BB (Brass finish)

17695-W (White finish)

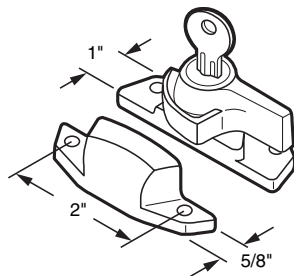
Keyed Sash Lock

Contents: 1 lock; 1 keeper; 2 keys; 1 set of installation screws.

Description: Diecast construction; unlock only with key; child-proof; used on aluminum, vinyl or wood double hung windows.

You may wish to stock these related parts: **172395**, **172367**.

172391



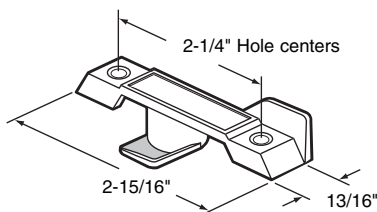
172391 (Chrome finish)

Keyed Sash Lock

Contents: 1 lock; 1 keeper; 2 keys; 1 set of installation screws.

Description: Diecast construction; unlock only with key; child proof; used on single or double hung wood windows.

You may wish to stock these related parts: **172380**.



171917

171917 (Black finish)

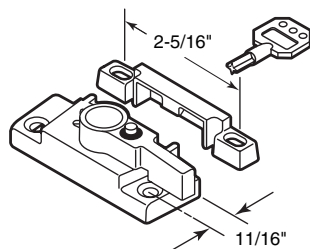
Sash Lock

Contents: 1 lock; 2 installation screws.

Description: Diecast construction with **deep offset latch**; fits on **Krestmark** single-hung aluminum windows and others.

You may wish to stock these related parts: **171568**.

172432



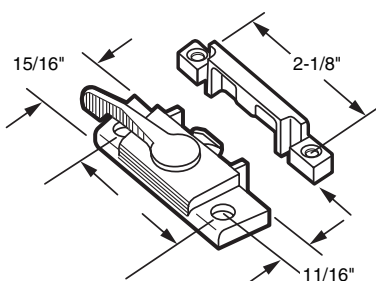
172432 (White finish)

Keyed Lock Sash

Contents: 1 lock; 1 keeper; 2 keys; 1 set of installation screws.

Description: Diecast construction; cam type latch action; with alignment lugs; **unlocks only with key**.

You may wish to stock these related parts: **171568**.



171915

171915 (White finish)

Sash Lock

Contents: 1 lock; 1 keeper; 1 set of installation screws.

Description: Diecast with **alignment lugs**, cam-type action; used on **vinyl** framed windows.

You may wish to stock these related parts: **171568-W**.

Call for
Availability

Sliding Window Latches

172435 (White finish)

172436 (Brass finish)

Sash Lock

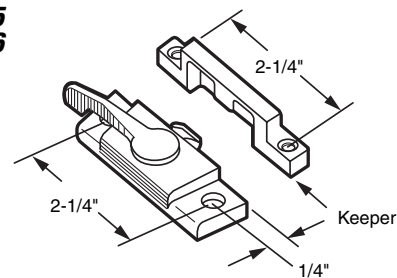
Contents: 1 lock; 1 keeper; 1 set of installation screws.

Description: Diecast construction; cam-type action; used on vinyl windows.

You may wish to stock these related parts: **171568-W**, **172395**.

172435

172436



172433-L (Left hand)

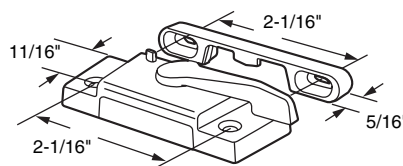
172433-R (Right hand)

Sash Lock (White finish)

Contents: 1 lock; 1 keeper; 1 set of installation screws.

Description: Diecast construction; fits on *Better Bilf* on Series 350 vinyl windows.

You may wish to stock these related parts: **171864**.



172433-L
172433-R

Left hand shown

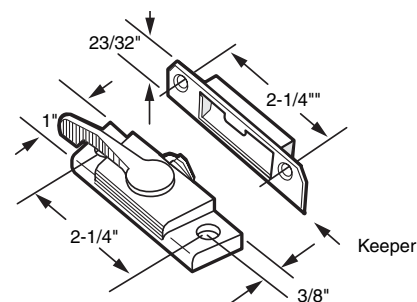
172579 (Black finish)

Sash Lock

Contents: 1 latch; 1 keeper; 1 set of installation screws.

Description: Heavy duty diecast latch assembly and keeper; cam action lock holds window securely closed. Flush mount strike requires a 1-1/2" x 3/8" x 1/4" deep recess.

172579



172380 (Chrome finish)

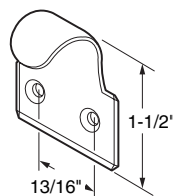
172381 (Brass finish)

Sash Lift

Contents: 2 lifts; 2 sets of installation screws

Description: Stamped steel construction; designed to aid in opening double-hung wood windows.

You may wish to stock these related parts: **171119**, **171826**.



172380
172381

172368 (Brass finish)

172392 (Antique brass finish)

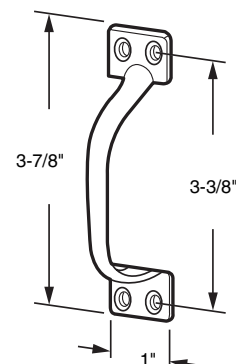
Sash Lift

Contents: 2 sash lifts with installation screws.

Description: Zinc diecast construction; used on double-hung windows as a lift handle.

You may wish to stock these related parts: **171119**, **172588**.

172368
172392



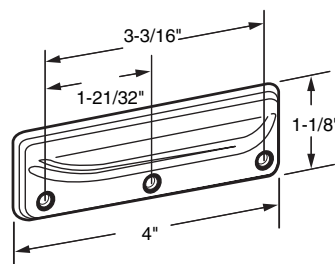
172395 (Brass finish)

172396 (Antique brass finish)

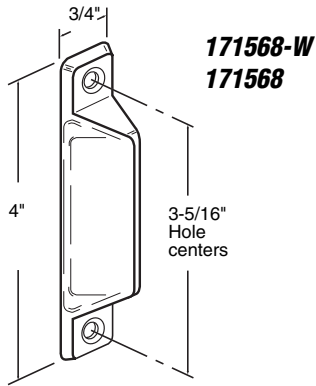
Deluxe Sash Lift

Contents: 2 sash lifts with installation screws.

Description: Wrought steel sash lift; decorator style; used on double-hung windows.

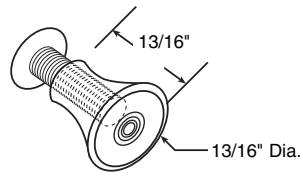


172395
172396



171568-W (White finish)
171568 (Black finish)

172426



171568-W (White finish)
171568 (Black finish)

Deluxe Sash Lift

Contents: 1 sash lift with installation screws.

Description: Diecast sash lift; **deluxe style**; used on double hung windows.

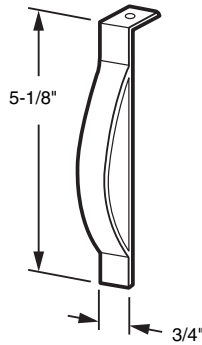
You may wish to stock these related parts: **172588**.

172426

Acrylic Knob

Contents: 2 knobs; 2 nylon screws.

Description: Clear acrylic knobs; used on sliding pass-thru windows and sliding medicine cabinet panels.



171119
172910

171119 (1 per card)
172910 (2 per card)

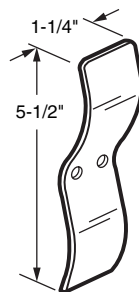
Sash Spring

Contents: Spring with nail.

Description: Spring steel construction; allows repair of broken sash cords without removing sash; corner mounted; installs in seconds.

You may wish to stock these related parts: **171765**, **171541**, **171542**, **171543**, **171544**.

171826



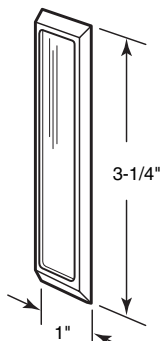
171826

Sash Spring

Contents: 2 springs.

Description: Spring steel construction; **chrome plated**; side mounted; no nails required; removal of sash not required for installation.

You may wish to stock these related parts: **171765**, **171541**, **171542**, **171543**, **171544**.



172388
172389
172390

172388 (Clear)
172389 (Black)
172390 (Gold)

Pass-Thru Finger Pull

Contents: 2 pulls.

Description: Adhesive-backed plastic handle; easy installation; universal application.

Sliding Window Latches

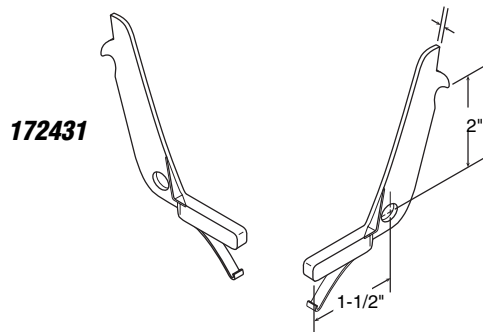
172431 (Black)

Latch and Pull

Contents: 1 left hand latch; 1 right hand latch; 2 binder posts.

Description: Plastic latches with steel springs; fits on *Phillips Industries* on single hung sash windows.

You may wish to stock these related parts **172543**, **171394**, **172562**.



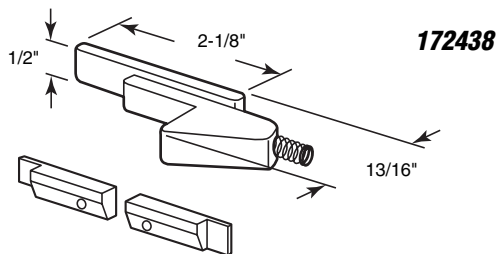
172438 (Black)

Latch and Pull

Contents: 2 latches with springs.

Description: Plastic latches are non-handed; fits on *Tyco* on Series 75 single hung sash windows.

You may wish to stock these related parts **17610**, **171967**.



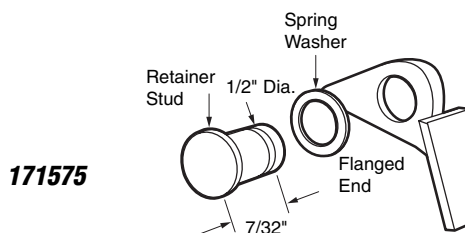
171575 (Black)

Latch

Contents: 1 latch; 1 retainer stud; 1 spring washer.

Description: Adjustable plastic latch; can be raised or lowered on aluminum stile; fits on *Rolleze* on Series 710 sliding windows.

You may wish to stock these related parts **171391**, **171722**.

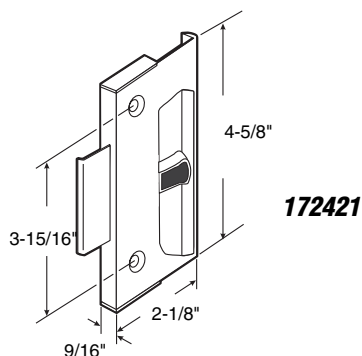


172421 (Black finish)

Pull and Latch

Contents: 1 pull assembly with installation screws.

Description: Powder coated aluminum pull; vinyl base and latch activator. Clamp style latch device is used on many commercial windows.

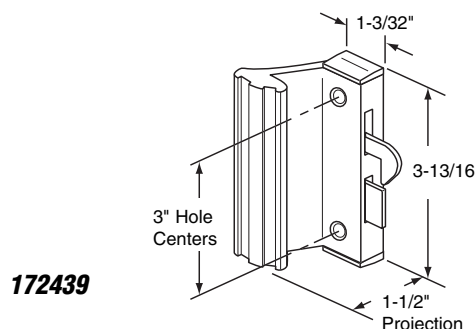


172439 (Black finish)

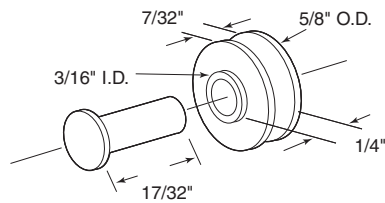
Pull and Latch

Contents: 1 pull assembly; 1 set of installation screws.

Description: Extruded aluminum latch with vinyl base; surface mounted hook style latch with anti-lift bar for additional security; used by several commercial window manufacturers.



17139



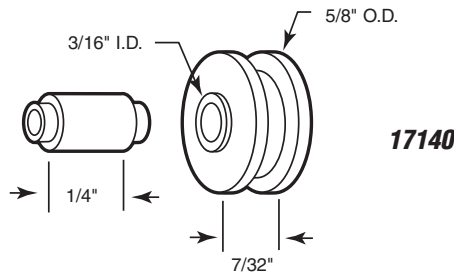
17139

Roller

Contents: 2 rollers; 2 axle pins.

Description: 7/32" x 5/8" center grooved nylon roller; aluminum rivet type axle pins; fits on *Air Control*.

You may wish to stock these related parts: **17322, 172382.**



17140

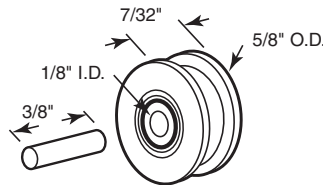
Roller

Contents: 2 rollers; 2 axle pins.

Description: 7/32" x 5/8" center-grooved nylon roller; aluminum axle pins; repair part for **17367**; fits on *Trimview*.

You may wish to stock these related parts: **17366.**

17366



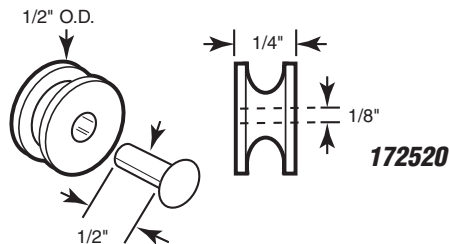
17366

Roller

Contents: 2 rollers; 2 axle pins.

Description: 7/32" x 5/8" center-grooved nylon ball bearing roller; aluminum axle pins; repair part for **17367**; fits on *Trimview*.

You may wish to stock these related parts: **17140.**



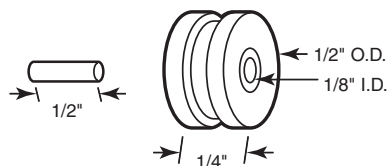
172520

Roller

Contents: 4 rollers; 4 axle pins.

Description: 1/4" x 1/2" nylon roller; deep center groove; accepts a 1/8" rivet style axle; used by several sliding window manufacturers.

172521

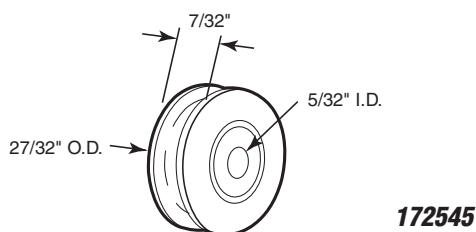


172521

Roller

Contents: 4 rollers; 4 axle pins.

Description: 1/4" x 1/2" nylon roller with center groove; aluminum axle pins; used by several sliding window manufacturers.



172545

Roller

Contents: 2 rollers.

Description: 7/32" x 27/32" diameter steel ball bearing roller with center groove; used on sliding aluminum windows.

You may wish to stock these related parts: **17396.**

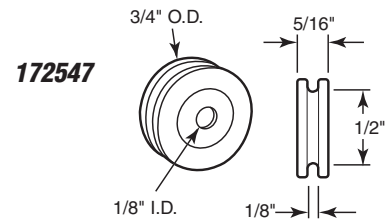
Sliding Window Rollers & Guides

172547

Roller

Contents: 2 rollers.

Description: 5/16" x 3/4" nylon roller; 1/8" narrow groove; fits on *Ralley* windows.



17325 (Steel)

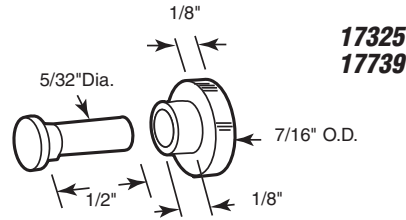
17739 (Stainless steel)

Roller

Contents: 4 rollers; 4 axle pins.

Description: 1/8" x 7/16" flat steel roller; nylon axle pins; fits on *Premiere*.

You may wish to stock these related parts: **17813**, **17721**, **172563**.



17155 (2 per card)

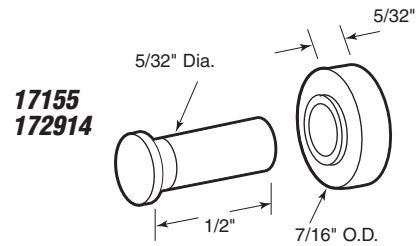
172914 (4 per card)

Roller

Contents: Rollers; axle pins.

Description: 5/32" x 7/16" flat nylon roller; nylon axle pins; fits on *HiLite*.

You may wish to stock these related parts: **172361**, **172362**, **17473**.

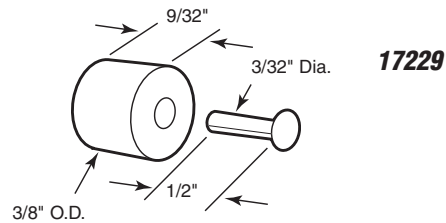


17229

Roller

Contents: 4 rollers; 4 axle pins.

Description: 9/32" x 3/8" flat nylon roller; aluminum rivet style axle pins; repair part for **17230**.



17552 (2 per card)

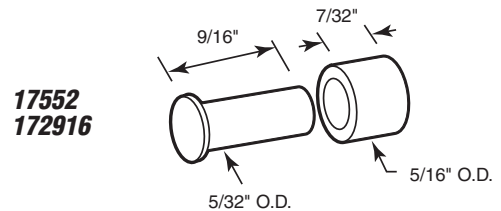
172916 (4 per card)

Roller

Contents: Rollers; axle pins.

Description: 5/16" x 7/32" flat nylon roller; nylon axle pins; fits on *Radco*.

You may wish to stock these related parts: **17607**, **17594**, **172567**, **172539**, **17555**.



17813 (2 per card)

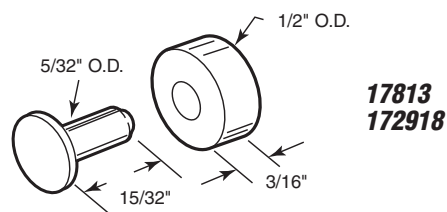
172918 (4 per card)

Roller

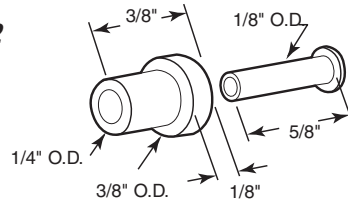
Contents: Rollers; axle pins.

Description: 3/16" x 1/2" flat steel roller; nylon axle pins; fits on *Western*, *Premiere* and *Keller* windows.

You may wish to stock these related parts: **172382**, **172383**, **17721**.



17642



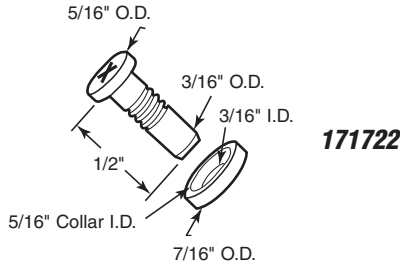
17642

Roller

Contents: 2 rollers; 2 axles.

Description: 1/8" x 3/8" steel roller; rivet style steel axles; fits on *Fullview* windows.

You may wish to stock these related parts: **171754, 17386, 17141, 17142, 17233.**



171722

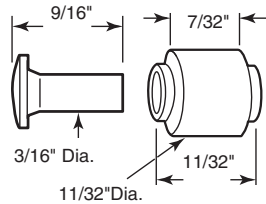
Roller and Axle Screw

Contents: 2 axle screws; 2 roller bushings.

Description: Steel axle screw with nylon roller; fits on *Rolleze* windows.

You may wish to stock these related parts: **171754, 171575, 171391.**

171958

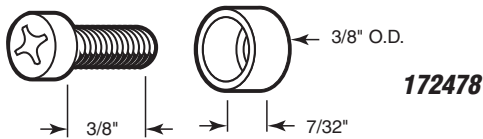


171958

Roller

Contents: 2 rollers; 2 axles.

Description: Solid brass rollers with nylon axles; fits on *Viking Series M70* windows.



172478

Roller

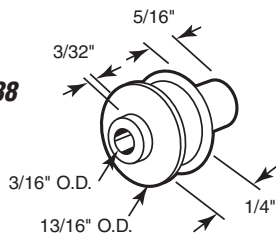
Contents: 4 rollers; 4 no. 8-32 x 3/8" Phillips pan head machine screws.

Description: Nylon roller assembly; fits on *C & P Window*.

You may wish to stock these related parts: **17343, 172472.**

Call for Availability

172488



172488

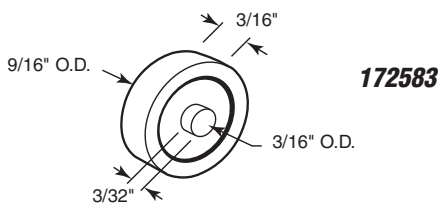
Roller

Contents: 4 rollers.

Description: 1/4" x 13/16" nylon roller; extended hub; fits on *Cupples* windows.

You may wish to stock these related parts: **172365.**

Call for Availability



172583

Roller

Contents: 2 rollers.

Description: 3/16" x 9/16" steel ball bearing roller; replacement roller for **172544**; fits on *Thermo Glide, Bee Cee* and others.

You may wish to stock these related parts: **172527, 172535.**

Sliding Window Rollers & Guides

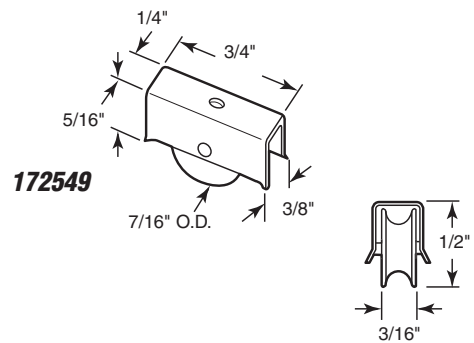
172549

Roller Assembly

Contents: 2 roller assemblies.

Description: Stamped steel housing with 7/16" diameter center groove nylon roller; used on sliding storm windows and showcase windows.

You may wish to stock these related parts: **17758, 17753, 172163, 17757, 17578.**



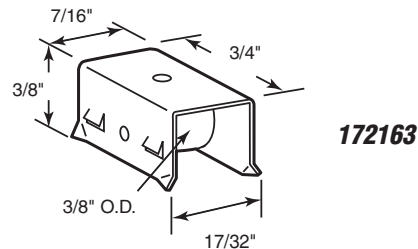
172163

Roller Assembly

Contents: 2 roller assemblies.

Description: Stamped steel housing with 3/8" diameter convex nylon roller; used on sliding storm windows and showcase windows.

You may wish to stock these related parts: **17578, 17753, 172549, 17757, 17578.**



17757 (Nylon roller)

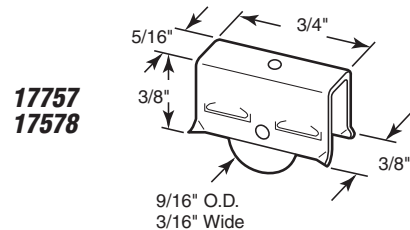
17578 (Steel roller)

Roller Assembly

Contents: 2 roller assemblies.

Description: Stamped steel housing with 9/16" diameter center groove roller; used on sliding storm windows and showcase windows.

You may wish to stock these related parts: **17758, 172109, 17753, 172549, 172163.**



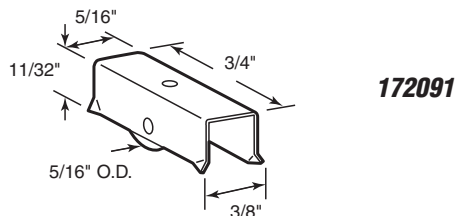
172091

Roller Assembly

Contents: 2 roller assemblies.

Description: Stamped steel housing with 5/16" diameter flat edge nylon roller; used on sliding storm windows and showcase windows.

You may wish to stock these related parts: **17758, 17753, 172549, 17757, 17578.**



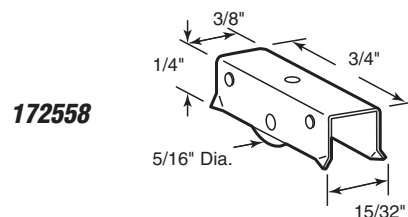
172558

Roller Assembly

Contents: 2 roller assemblies.

Description: Stamped steel housing; flat edge nylon roller; used on sliding windows and showcase doors.

You may wish to stock these related parts: **17758, 17753, 172549, 172163, 17578.**



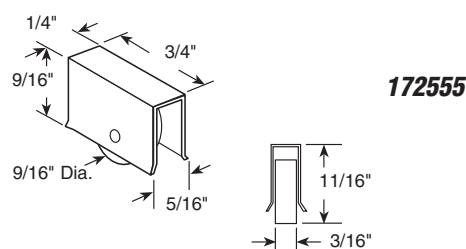
172555

Roller Assembly

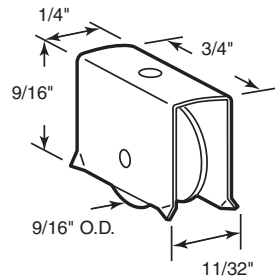
Contents: 2 roller assemblies.

Description: Stamped steel housing with 9/16" diameter flat edge nylon roller; used on sliding storm windows and showcase windows.

You may wish to stock these related parts: **17758, 17753, 172163, 17757, 17578.**



17758
17753



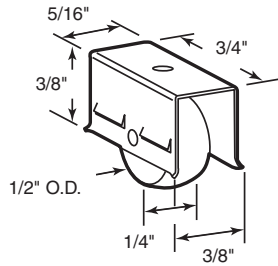
17758 (Steel roller)
17753 (Nylon roller)

Roller Assembly

Contents: 2 roller assemblies.

Description: Stamped steel housing with 9/16" diameter concave roller; used on sliding windows and showcase windows.

You may wish to stock these related parts: **172388**, **172389**, **172390**.



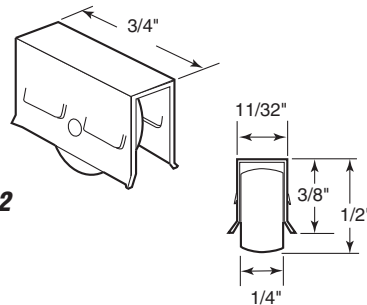
172109

172109

Roller Assembly

Contents: 2 roller assemblies.

Description: Stamped steel housing; 1/4" x 1/2" convex nylon roller.



172522

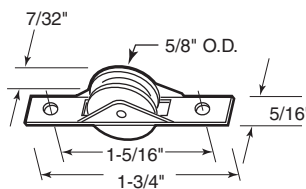
172522

Roller Assembly

Contents: 2 roller assemblies.

Description: Extruded aluminum housing; flat edge steel roller.

*Call for
Availability*



17613

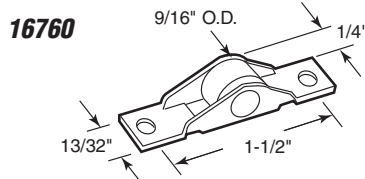
17613

Roller Assembly

Contents: 2 roller assemblies.

Description: Stamped steel housing; concave nylon roller; fits on *Fullview* windows.

You may wish to stock these related parts: **171754**.



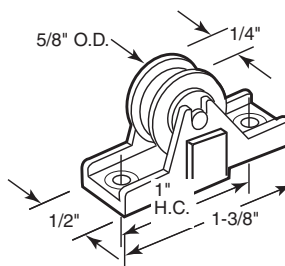
16760

16760

Roller Assembly

Contents: 2 roller assemblies.

Description: Steel housing with 9/16" diameter flat edge nylon roller; used on sliding storm and showcase windows.



172531

172531

Roller Assembly

Contents: 2 roller assemblies.

Description: Nylon housing; center-grooved steel ball bearing roller; fits on several window manufacturers.

Sliding Window Rollers & Guides

172532 (Steel - 5/8" diameter x 3/16" thick)

172566 (Nylon - 3/4" diameter x 1/4" thick)

Roller Assembly

Contents: 2 roller assemblies.

Description: Nylon housing; flat edge roller; used by several window manufacturers.

172001

Roller Assembly

Contents: 2 roller assemblies.

Description: Aluminum bracket with 1/8" x 1/2" flat edge nylon roller; fits on *International "King-Queen"* series, also fits on *Academy* and *A-1 Aluminum*.

You may wish to stock these related parts: **172364**, **17587**, **17587-B**.

172394

Roller Assembly

Contents: 2 roller assemblies.

Description: Aluminum bracket with 1/8" x 1/2" flat edge nylon roller; fits on *Century-Elco* windows.

You may wish to stock these related parts: **172553**, **171490**.

171863

 (Nylon roller)

Roller Assembly

Contents: 2 rollers assemblies.

Description: Aluminum bracket with 1/8" x 5/8" flat edge roller; fits on *International* windows.

You may wish to stock these related parts: **172364**, **17587**, **17587-B**.

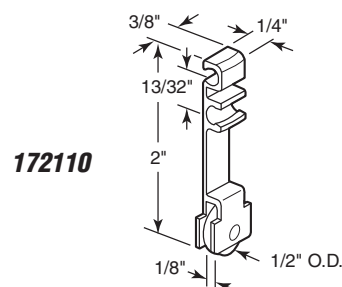
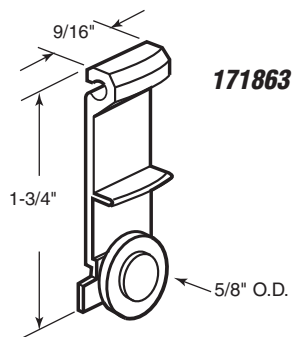
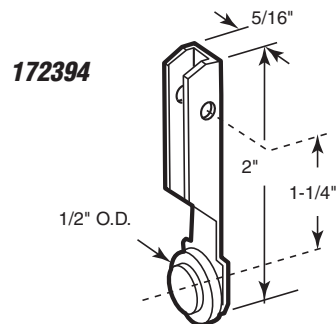
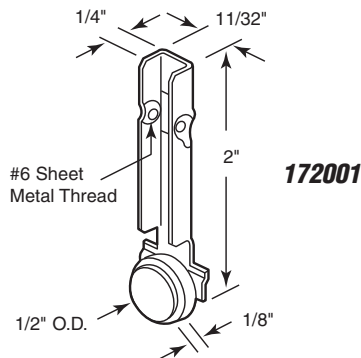
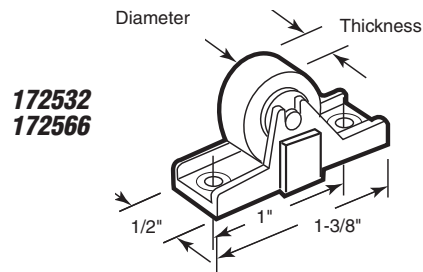
172110

Roller Assembly

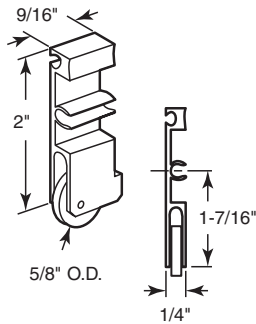
Contents: 2 roller assemblies.

Description: Extruded aluminum bracket; 1/8" x 1/2" flat edge steel roller; fits on *International* windows.

You may wish to stock these related parts: **172364**, **17587**, **17587-B**.



17231



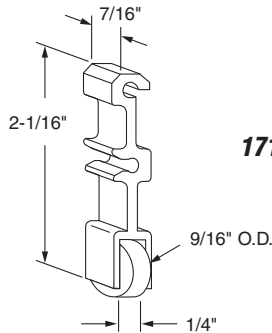
17231 (Steel ball bearing)

Roller Assembly

Contents: 2 roller assemblies.

Description: Extruded aluminum bracket with 1/8" x 1/2" steel ball bearing roller; fits on *International* windows and others.

171702



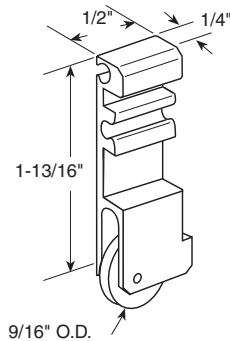
171702

Roller Assembly

Contents: 2 roller assemblies.

Description: Extruded aluminum bracket; 1/4" x 9/16" diameter heavy duty steel roller; fits on *International* insulated glass windows.

171648



171648

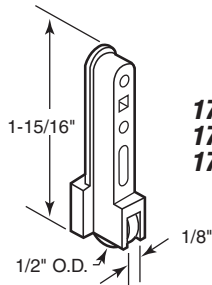
Roller Assembly

Contents: 2 roller assemblies.

Description: Extruded aluminum bracket; 1/8" x 9/16" solid brass roller; fits on *Guaranteed Products* and others.

You may wish to stock these related parts: **17484**, **171491**, **171652**.

17474
172911
17474-S



17474 (Nylon roller - 2 per card)

172911 (Nylon roller - 4 per card)

17474-S (Steel roller - 2 per card)

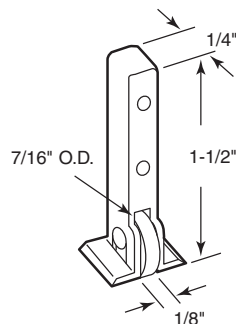
Roller Assembly

Contents: Roller assemblies.

Description: Nylon housing; 1/8" x 1/2" flat roller; top rollers adjust "up" to provide anti-lift protection; bottom rollers adjust "up and down" for alignment; fits on *Hilite 200 Series* windows.

You may wish to stock these related parts: **172361**, **172362**, **172384**.

17483
172912



17483 (2 per card)

172912 (4 per card)

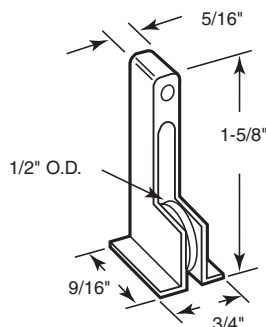
Roller Assembly

Contents: Roller assemblies.

Description: Nylon housing; 1/8" x 7/16" flat edge nylon roller; fits on *Guaranteed Products*.

You may wish to stock these related parts: **17484**, **171491**, **171652**.

17144
172546



17144 (Nylon roller)

172546 (Steel roller)

Roller Assembly

Contents: 2 rollers assemblies.

Description: Nylon housing, with 1/8" x 1/2" flat edge roller; fits on *HiLite* convertible windows.

You may wish to stock these related parts: **172361**, **17506**, **172384**.

Sliding Window Rollers & Guides

17754

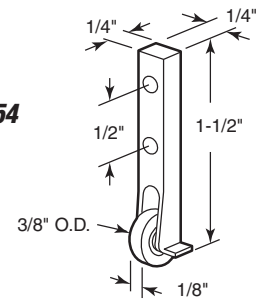
Roller Assembly

Contents: 2 roller assemblies.

Description: Nylon housing; 1/8" x 3/8" nylon roller; fits on *Guaranteed* windows.

You may wish to stock these related parts: **17484, 171491, 171652.**

17754



171733 (1/16" guide leg)

17698 (1/8" guide leg)

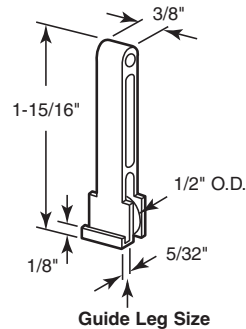
Roller Assembly

Contents: 2 roller assemblies.

Description: Gray nylon housing; 1/8" x 1/2" nylon roller; fits on *A-1 Aluminum, Horizon, Sun Air, International, Patio Concepts* and others.

You may wish to stock these related parts: **17484, 172364, 17587.**

**171733
17698**



17721

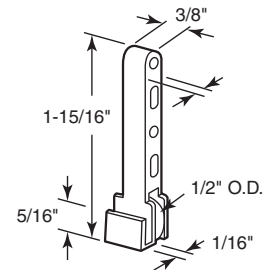
Roller Assembly

Contents: 2 roller assemblies.

Description: Black nylon housing; nylon roller; 1/16" guide leg; fits on *Premiere* and others.

You may wish to stock these related parts: **17698, 172584.**

17721



172472

Roller Assembly

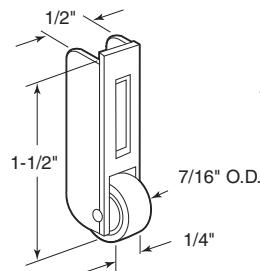
Contents: 4 roller assemblies.

Description: Nylon adjustable housing; 1/4" x 7/16" nylon roller; fits on *C & P Window*.

You may wish to stock these related parts: **17343, 172478.**

Call for
Availability

172472



17239 (Nylon roller)

172569 (Brass roller)

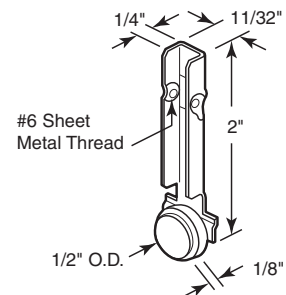
Roller Assembly

Contents: 2 roller assemblies.

Description: Stamped aluminum housing; 1/8" x 1/2" roller; fits on *International* windows.

You may wish to stock these related parts: **172364, 17587, 17587-B, 172001, 171863, 172110.**

**17239
172569**



17230

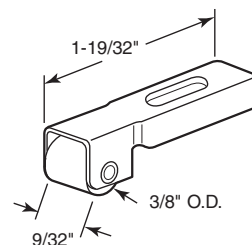
Roller Assembly

Contents: 2 roller assemblies.

Description: Adjustable bracket with 9/32" x 3/8" flat edge nylon roller; used by several window manufacturers.

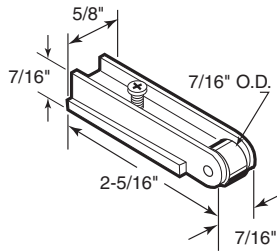
You may wish to stock these related parts: **17229.**

17230



Call for
Availability

172541
172542

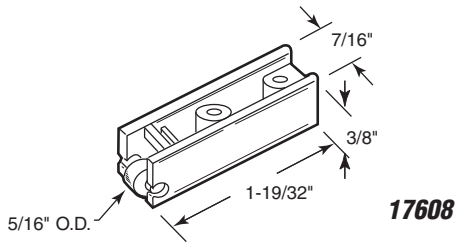


172541 (Aluminum finish)
172542 (Bronze finish)

Roller Assembly

Contents: 2 roller assemblies.

Description: Extruded aluminum housing; 7/16" diameter nylon roller; fits on *Bell* windows.



17608

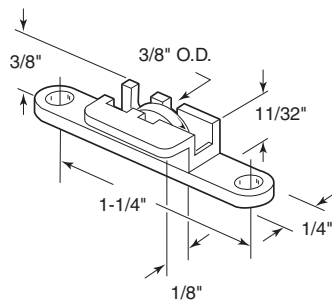
17608

Roller Assembly

Contents: 2 roller assemblies.

Description: Nylon housing with flat edge nylon roller; fits on *Air Flow* patio windows.

17610
172917



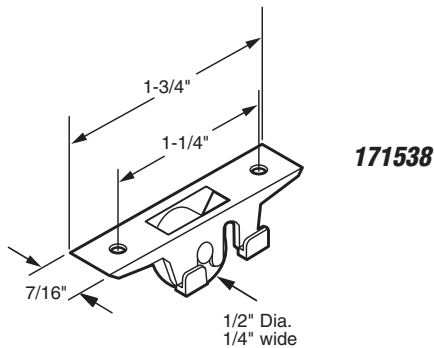
17610 (Steel roller - 2 per card)
172917 (Steel roller - 4 per card)

Roller Assembly

Contents: Roller assemblies

Description: Nylon housing with flat edge steel roller; fits on *Tomravs Tyco 66* windows.

You may wish to stock these related parts: **172384**, **172385**.



171538

171538 (Nylon roller)

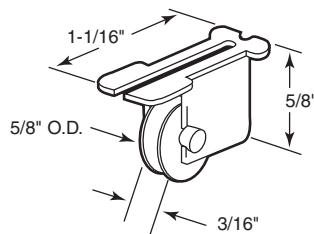
Roller Assembly

Contents: 2 roller assemblies

Description: White nylon housing; solid brass axles; fits on *Guaranteed Products* and others.

You may wish to stock these related parts: **17484**, **171491**, **171652**.

17142



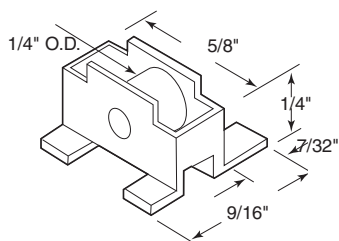
17142

Roller Assembly

Contents: 2 roller assemblies.

Description: Nylon housing; 3/16" x 5/8" steel roller; fits on *Fullview*.

You may wish to stock these related parts: **171754**.



172567
17555

172567 (Nylon roller)
17555 (Brass roller)

Roller Assembly

Contents: 2 roller assemblies.

Description: Offset guide leg; flat edge roller; nylon housing; fits on *Radco* and *Glass Emporium*.

You may wish to stock these related parts: **17607**, **17594**, **17752**, **172539**.

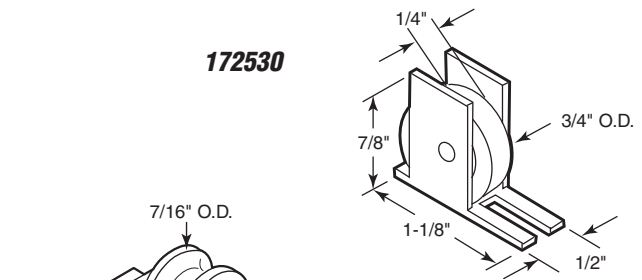
Sliding Window Rollers & Guides

172530

Roller Assembly

Contents: 2 roller assemblies.

Description: Nylon housing; flat edge nylon ball bearing roller.

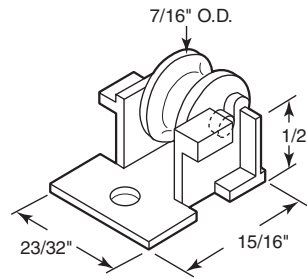


171699

Roller Assembly

Contents: 2 roller assemblies.

Description: Nylon housing with 7/16" diameter steel, center-grooved roller; fits on *Krestmark*.



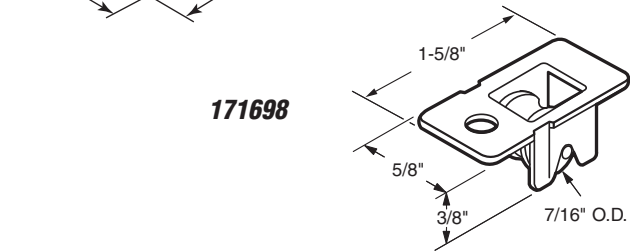
171699

171698

Roller Assembly

Contents: 2 roller assemblies.

Description: White nylon housing; nylon concave roller; fits on *H-R Windows* and others.



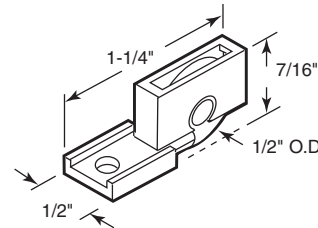
171698

172534

Roller Assembly

Contents: 2 roller assemblies.

Description: Nylon housing; flat edge nylon roller; fits on *Acorn* old style windows.



172534

You may wish to stock these related parts: **172441**, **172537**.

172535

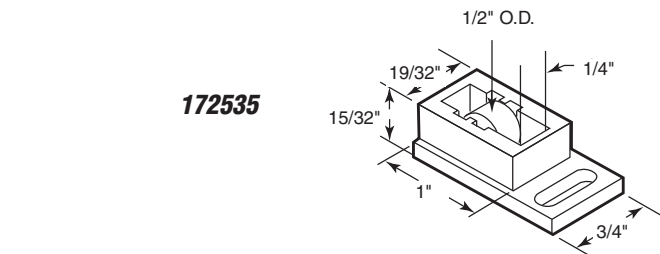
Roller Assembly

Contents: 2 roller assemblies.

Description: Nylon housing; flat edge nylon roller; fits on *Bee Cee* and other windows.

Call for Availability

You may wish to stock these related parts: **172441**, **172537**.



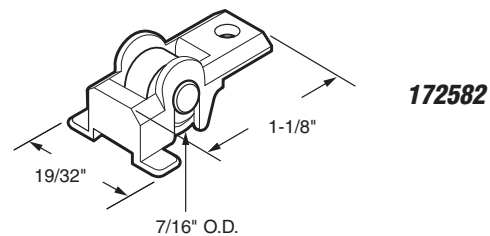
172535

172582

Roller Assembly

Contents: 2 roller assemblies.

Description: Nylon housing; flat edge steel roller; fits on *Pennco* and others.



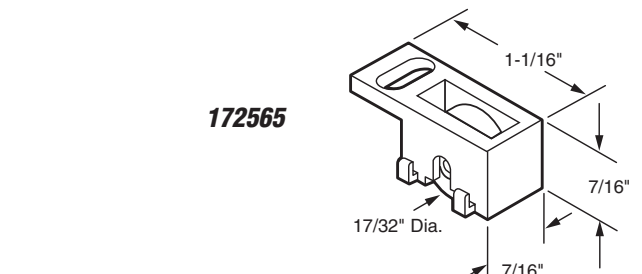
172582

172565

Roller Assembly

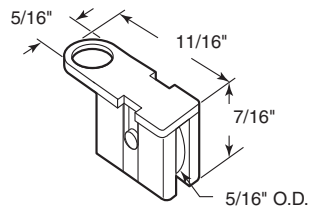
Contents: 2 roller assemblies.

Description: Black nylon housing; 17/32" diameter solid brass flat edge roller; brass axle; fits on *Rollyson Series 400* windows.



172565

171982



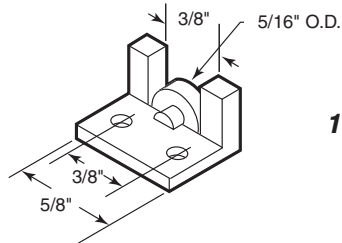
171982

Roller Assembly

Contents: 2 roller assemblies.

Description: Nylon housing; 5/16" diameter solid brass flat edge roller; fits on *Better-Bilt*.

You may wish to stock these related parts: **17574, 171755, 172434-B, 172434-W, 171864.**



17633

17633

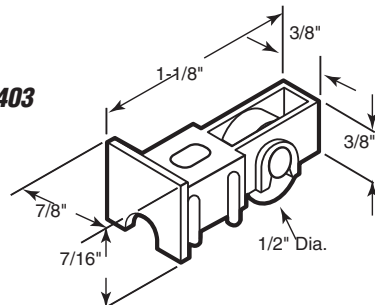
Roller Assembly

Contents: 2 roller assemblies.

Description: Nylon guide bracket; 5/16" diameter flat edge brass roller; fits on *Eico/Century* windows.

You may wish to stock these related parts: **172553, 171490, 172394.**

171403



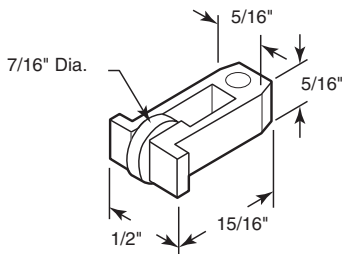
171403

Roller Assembly

Contents: 2 roller assemblies.

Description: Black nylon housing; 3/16" x 1/2" steel roller; fits on *Sun-Air* and others.

You may wish to stock these related parts: **17698.**



17823

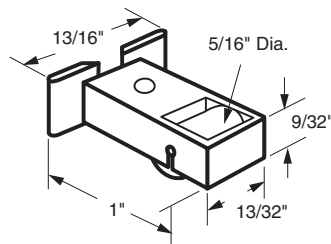
17823

Roller Assembly

Contents: 2 roller assemblies.

Description: Nylon housing and guide; 7/16" diameter flat edge steel roller.

172556

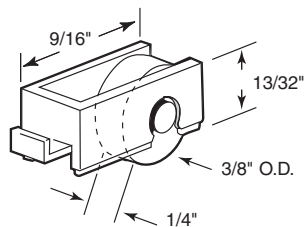


172556

Roller Assembly

Contents: 2 roller assemblies.

Description: Nylon housing with 5/16" diameter flat edge steel roller.



17386

17386

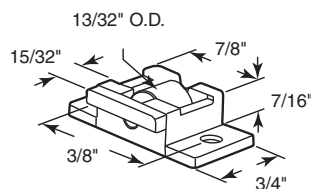
Roller Assembly

Contents: 2 roller assemblies.

Description: Nylon housing with 1/4" x 3/8" flat edge steel roller; fits on *Fullview* windows.

You may wish to stock these related parts: **171754, 17141, 17142, 17478, 17233, 17613, 17642.**

173449



173449

Roller Assembly

Contents: 2 roller assemblies.

Description: Black Nylon housing with 13/32" diameter solid brass roller; fits on *Amsco* windows.

Sliding Window Rollers & Guides

17232 (2 per card)
172913 (4 per card)

Roller Assembly

Contents: Roller assemblies.

Description: Nylon housing with 1/8" x 1/2" flat edge nylon roller; fits on *L.J. Windows* and others.

17901

Roller Assembly

Contents: 2 roller assemblies.

Description: Nylon housing; 5/8" diameter, flat edge nylon ball bearing roller; fits on *Premier Series 510* windows.

17429

Roller Assembly

Contents: 2 roller assemblies.

Description: Nylon housing; 1/16" x 3/8" flat edge steel roller; fits on *Daryl*.

You may wish to stock these related parts: **17445**.

172524

Roller Assembly

Contents: 2 roller assemblies.

Description: Nylon housing with flat edge nylon roller.

172540

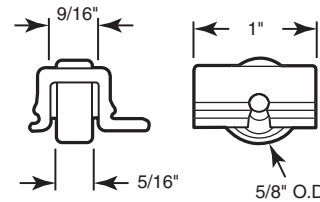
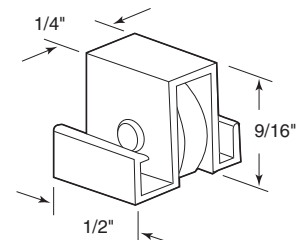
Roller Assembly

Contents: 2 roller assemblies.

Description: Nylon housing; center groove nylon roller; fits on *Window Master*.

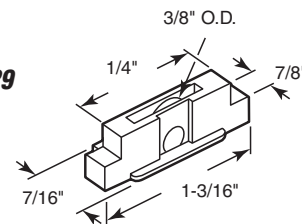
NOTE: Old style diecast housing is no longer available.

17232
172913

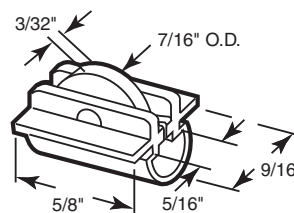


17901

17429

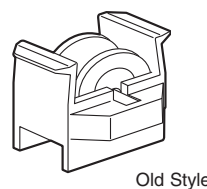


Call for
Availability

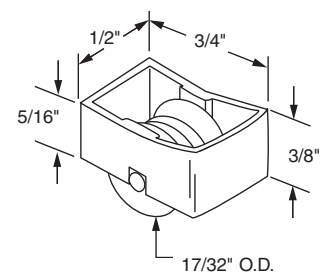


172524

Call for
Availability

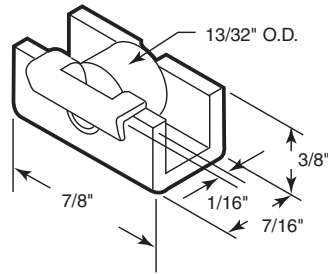


Old Style



172540

171391



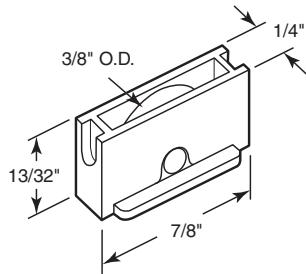
171391

Roller Assembly

Contents: 2 roller assemblies

Description: Nylon housing; 1/16" guide leg; flat edge nylon roller; fits on *Rolleze* windows.

You may wish to stock these related parts: **171754**, **171575**, **171722**.



171864
171490

171864 (Nylon roller)

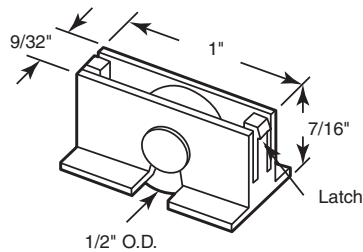
171490 (Brass roller)

Roller Assembly

Contents: 2 roller assemblies.

Description: Nylon housing; 3/8" diameter flat edge roller; fits on *Elco*, *Better-Bilt Aluminum* and others.

171921

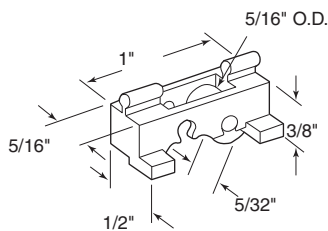


171921

Roller Assembly

Contents: 2 roller assemblies.

Description: Nylon housing with 1/2" diameter steel roller; fits on *Superlite Series 8000* windows.



17402

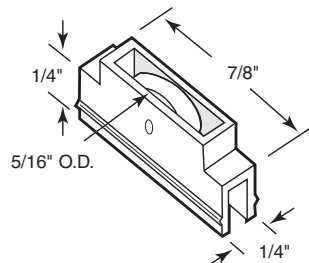
17402

Roller and Guide Assembly

Contents: 2 roller assemblies.

Description: Adjustable nylon housing; 5/32" x 5/16" flat edge steel roller; 2 position height adjustment; fits on *Olson* and others.

17141



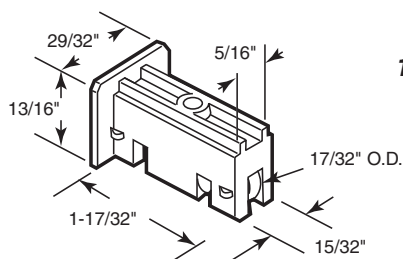
17141

Roller Assembly

Contents: 2 roller assemblies.

Description: Nylon housing with 3/32" x 5/16" flat edge steel roller; fits on *Fullview* windows.

You may wish to stock these related parts: **171754**.



172527

172527

Roller Assembly

Contents: 2 roller assemblies.

Description: Nylon housing with flat edge steel ball bearing roller; fits on *Bee Cee* windows and others.

You may wish to stock these related parts: **171991**, **172535**, **172544**.

Call for
Availability

Sliding Window Rollers & Guides

172528

Roller Assembly

Contents: 2 roller assemblies.

Description: Nylon housing; 5/8" diameter steel ball bearing roller; center grooved; snap-in design.

172529

Roller Assembly

Contents: 2 roller assemblies.

Description: Nylon housing; flat edge nylon ball bearing roller; designed for *Crossly* windows.

You may wish to stock these related parts: **172366, 172367.**

171080

Roller Assembly

Contents: 2 roller assemblies.

Description: Nylon housing; 5/16" x 5/16" flat edge steel roller; fits on *Keller Window*.

You may wish to stock these related parts: **172382, 172383, 172440, 17813, 172556.**

172537

Roller Assembly

Contents: 2 roller assemblies.

Description: Nylon housing; flat edge steel roller; fits on *Acorn "Series 2100"* thru *"Series 2300"* old style windows and others.

You may wish to stock these related parts: **172441, 172525, 172534.**

172538

Roller Assembly

Contents: 2 roller assemblies.

Description: Nylon housing; flat edge steel roller; fits on *Acorn "Series 2100"* thru *"Series 2300"* new style windows and others.

You may wish to stock these related parts: **172441, 172525, 172534, 172537.**

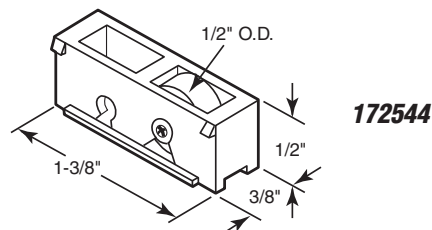
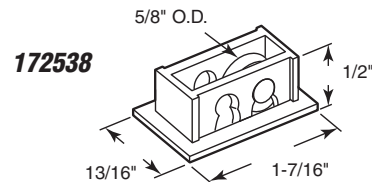
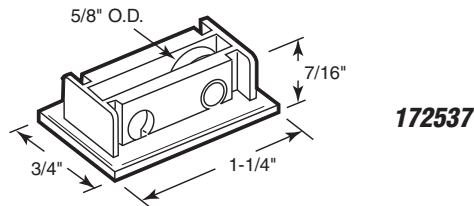
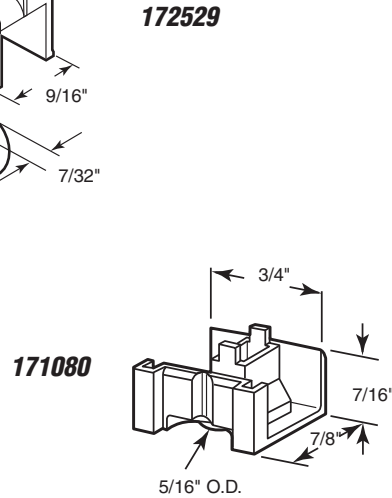
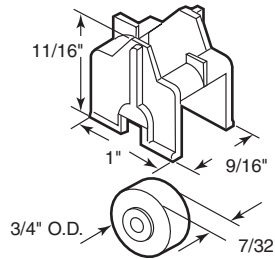
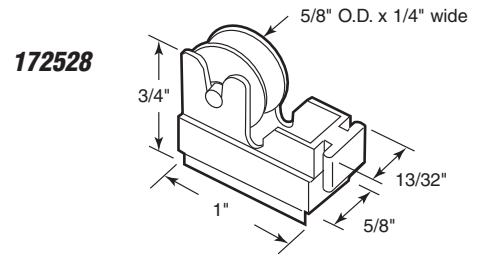
172544

Roller Assembly

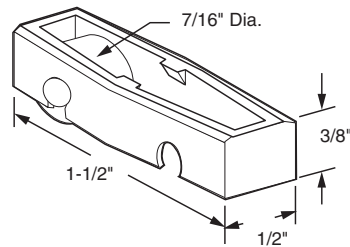
Contents: 2 roller assemblies.

Description: Adjustable nylon housing; steel ball bearing roller; fits on *Thermo Glide, Bee Cee* and others.

You may wish to stock these related parts: **171991, 172527, 172535, 172583.**



172557



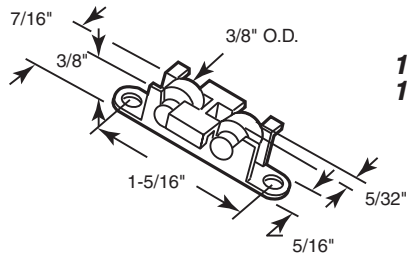
172557

Roller Assembly

Contents: 2 roller assemblies.

Description: Nylon housing; solid brass rollers; fits on *Capitol Windows 600 Series*.

You may wish to stock these related parts: **172366, 172367.**



171920
172548

171920 (Nylon roller)

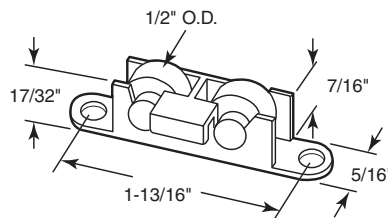
172548 (Brass roller)

Roller Assembly

Contents: 2 roller assemblies.

Description: Nylon housing; flat edge tandem rollers; fits on *House of Aluminum* and others.

171957

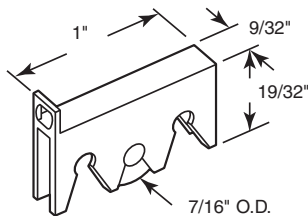


171957

Roller Assembly

Contents: 2 roller assemblies.

Description: Nylon housing; flat edge tandem nylon rollers.



172550

172550

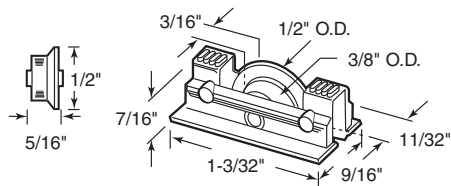
Roller Assembly

Contents: 2 roller assemblies.

Description: Nylon housing; 7/16 inch diameter steel roller; 3-height adjustment; fits on *Alenco*.

You may wish to stock these related parts: **171976, 171121, 171122, 171922, 172581.**

172523



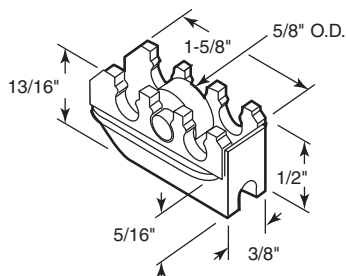
172523

Roller Assembly

Contents: 2 roller assemblies.

Description: Nylon housing; flanged edge nylon roller; used on sliding windows.

Call for
Availability



172525

172525

Roller Assembly

Contents: 2 roller assemblies.

Description: Plastic housing with flat edge steel roller; fits on *Acorn 2200 Series* windows.

You may wish to stock these related parts: **172441, 172534, 172537, 172538.**

Sliding Window Rollers & Guides

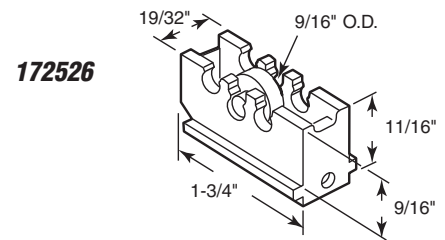
172526

Roller Assembly

Contents: 2 roller assemblies.

Description: Nylon housing with flat edge steel roller; fits on *Capitol "Series 180"* windows.

You may wish to stock these related parts: **172557**.

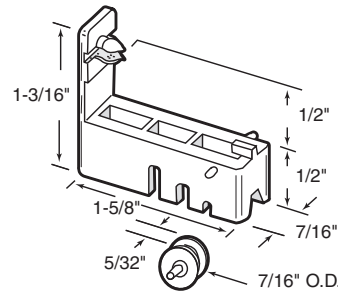


17364

Roller Assembly

Contents: 1 roller assembly.

Description: Nylon housing with 5/32" x 7/16" center groove steel roller; 3-position height adjustment; fits on *Glasco* windows.



17413

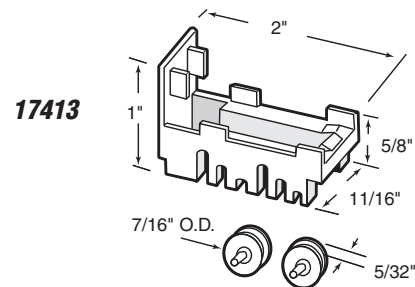
Roller Assembly

Contents: 1 roller assembly.

Description: Nylon housing; tandem roller design; 5/32" x 7/16" center groove steel rollers; 3 position height adjustment; fits on *Pacific* windows.

You may wish to stock these related parts: **17717**, **17696**.

Call for
Availability



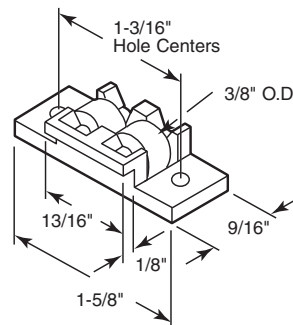
171967

Roller Assembly

Contents: 2 roller assemblies.

Description: Nylon housing; dual steel rollers; fits on *Tomrays Tyco 77* dual glazed windows.

You may wish to stock these related parts: **172387**.

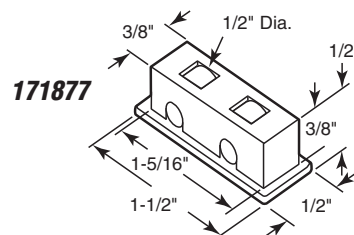


171877

Roller Assembly

Contents: 2 roller assemblies.

Description: Nylon housing; flat edge brass rollers; used by several window manufacturers.

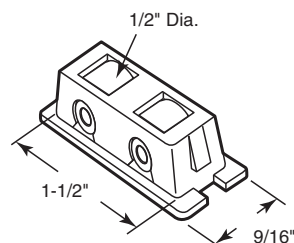


171876

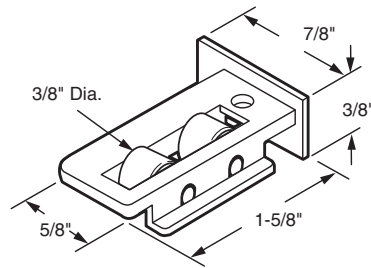
Roller Assembly

Contents: 2 roller assemblies.

Description: Nylon housing; flat edge nylon rollers; used by several window manufacturers.



172563



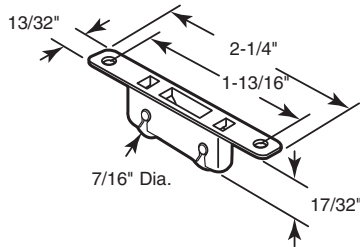
172563

Roller Assembly (Left and right)

Contents: 2 roller assemblies.

Description: White nylon housing with twin nylon rollers; brass axles; fits on *Premiere* windows.

You may wish to stock these related parts: **17325**, **17813**, **17721**, **17739**, **171490**.



171853

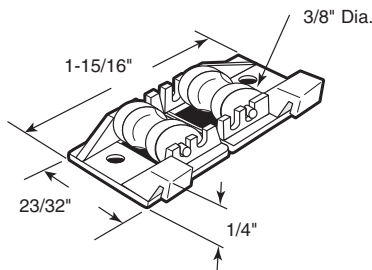
171853

Roller Assembly

Contents: 2 roller assemblies.

Description: Nylon housing; 7/16" diameter solid brass rollers; fits by several window manufacturers.

172561

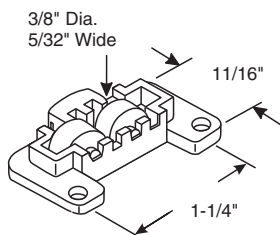


172561

Roller Assembly

Contents: 2 roller assemblies.

Description: White nylon housing; brass rollers; fits on *Merzon* windows.



172562

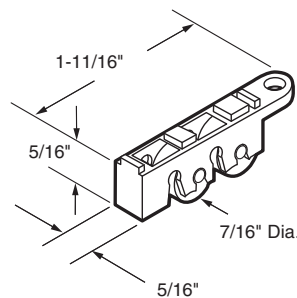
172562

Roller Assembly

Contents: 2 roller assemblies.

Description: Black nylon housing; brass rollers; steel axles.

172145

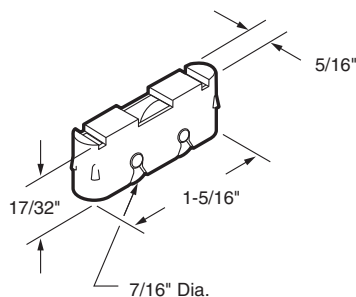


172145

Roller Assembly

Contents: 2 roller assemblies.

Description: Adjustable nylon housing; solid brass rollers.



172146

172146

Roller Assembly

Contents: 2 roller assemblies.

Description: High quality nylon housing; tandem nylon rollers.

Sliding Window Rollers & Guides

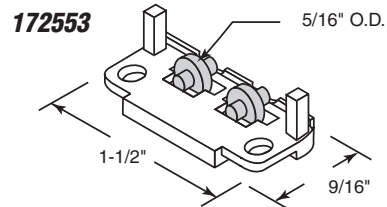
172553

Roller Assembly

Contents: 2 roller assemblies.

Description: Nylon housing; flat edge brass rollers; fits on *Elco/Century* windows.

You may wish to stock these related parts: **17633**, **171490**, **172394**.

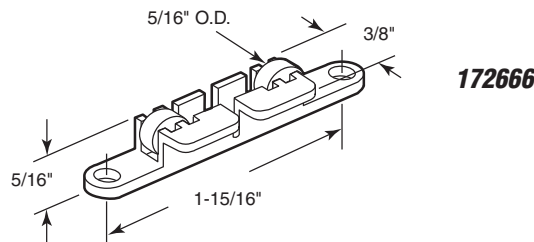


172666

Roller Assembly

Contents: 2 roller assemblies.

Description: White nylon housing; flat edge tandem steel rollers; fits on *A.B.C.* windows; dual wheel upgrade to the **17610**, improves glide and window performance.

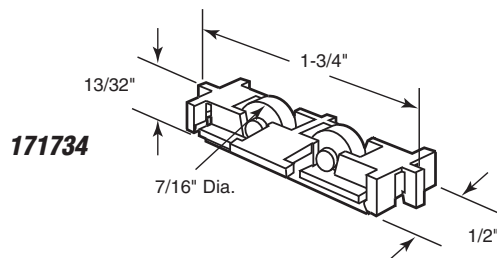


171734

Roller Assembly

Contents: 2 roller assemblies.

Description: White nylon housing; nylon rollers; fits on *Milgard* and others.



17396 (Nylon ball bearing)

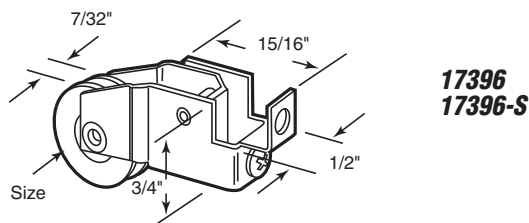
17396-S (Steel ball bearing)

Roller Assembly

Contents: 2 roller assemblies.

Description: Used as a bottom roller on heavy sliding glass windows; adjustable steel housing with center grooved roller.

You may wish to stock these related parts: **172545**.



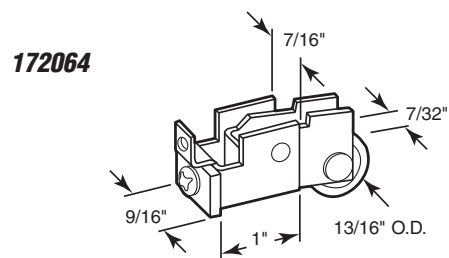
172064

Roller Assembly

Contents: 1 roller assembly.

Description: Steel adjustable housing; 13/16" diameter flat edge nylon ball bearing roller; fits on *Likit* windows.

You may wish to stock these related parts: **13368-L**, **13368-R**, **17676**, **17677**, **17678**, **17679**, **17680**.

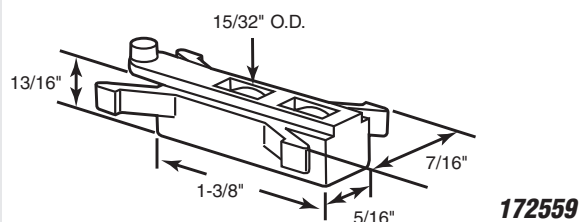


172559

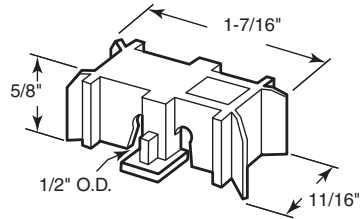
Roller Assembly

Contents: 2 roller assemblies.

Description: Nylon housing; 15/32" diameter twin, flat edge, solid brass rollers; stainless steel axles.



172581



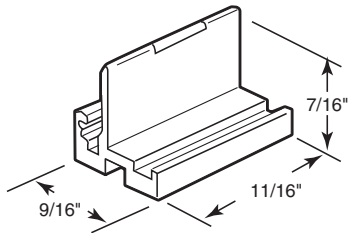
172581

Roller Assembly

Contents: 2 roller assemblies.

Description: Adjustable white nylon housing; 1/2" diameter flat edge steel roller; fits on *Alenco*.

You may wish to stock these related parts: **171956, 172550, 171121, 171122, 171922.**



17478

17478

Top Guide

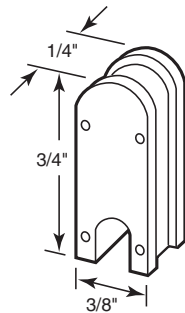
Contents: 2 guides.

Description: Nylon top guide for *Fullview* windows.

You may wish to stock these related parts: **171754, 17386, 17141, 17142, 17233, 17613, 17642.**

Call for Availability

17233



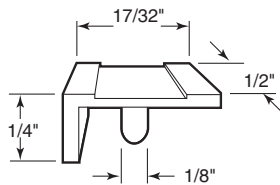
17233

Top Guide

Contents: 2 guides.

Description: Nylon top guide and anti-rattler; fits on *Fullview* windows.

You may wish to stock these related parts: **171754, 17386, 17141, 17142, 17613, 17642.**



172580

172580

Top Guide

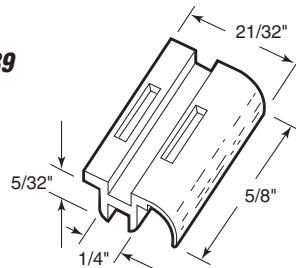
Contents: 4 guides.

Description: Nylon top guide and anti-rattler; fits on *Hallmark* windows; popular on recreation vehicles.

You may wish to stock these related parts: **17228-L, 17228-R, 172410-L, 172410-R.**

Call for Availability

172539



172539

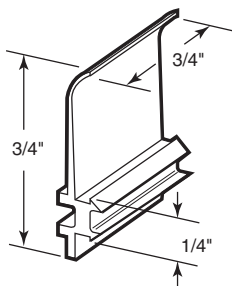
Top Guide

Contents: 4 guides.

Description: Nylon top guide fits on *Radco* old style windows; snap-in design.

You may wish to stock these related parts: **17607, 17594, 172567, 17552, 17555.**

Call for Availability



**17717
172919**

17717 (2 per card)

172919 (4 per card)

Top Guide

Contents: Guides.

Description: Nylon top guide; fits on *Pacific* old style windows.

You may wish to stock these related parts: **17413, 17696.**

Sliding Window Rollers & Guides

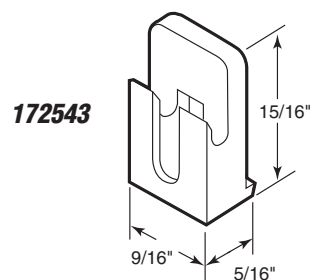
172543

Top Guide

Contents: 4 guides.

Description: Black nylon top guide and anti-rattler; popular on mobile homes; fits on *Phillips* windows.

You may wish to stock these related parts: **171394**.



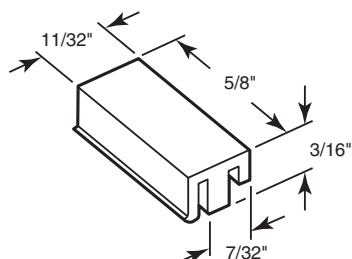
172560

Top Guide

Contents: 4 guides.

Description: Nylon top guide for sliding aluminum windows; snap-in design; fits on *Alenco*.

You may wish to stock these related parts: **171956, 172550, 171121, 171922**.



17607 (2 per card)

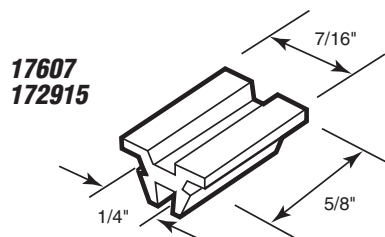
172915 (4 per card)

Top Guide

Contents: Guides.

Description: Plastic top guide; snap-in design; fits on *Radco* windows.

You may wish to stock these related parts: **17594, 172567, 17552, 172539, 17555**.



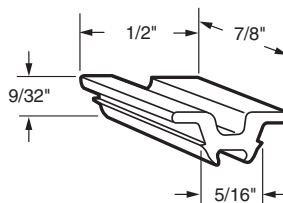
17696

Top Guide

Contents: 2 guides.

Description: Gray nylon top guide; snap-in design; fits on *Pacific Window* and others.

You may wish to stock these related parts: **17413, 17717**.



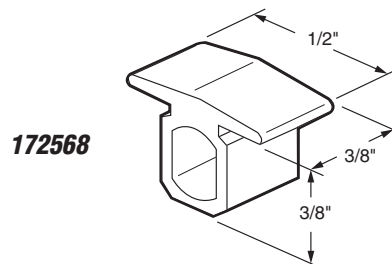
172568

Top Guide

Contents: 4 guides.

Description: Nylon top guide; fits on *International* sliding aluminum windows.

You may wish to stock these related parts: **17587, 172001, 172393, 172110**.



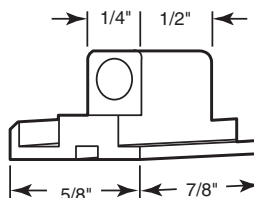
171217

Bottom Guide

Contents: 2 guides.

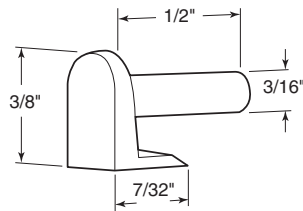
Description: Nylon bottom guide; fits on *Mayfair* windows.

You may wish to stock these related parts: **17338, 172552**.



Call for
Availability

17710

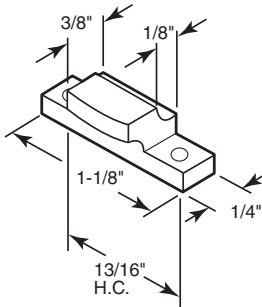


17710

Bottom Guide

Contents: 4 guides.

Description: Nylon bottom guide; snap-in design; corner mounted; acts as a glide on sliding aluminum windows.



171394

171394

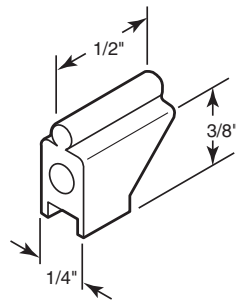
Bottom Glide

Contents: 4 glides.

Description: Black nylon bottom glide; also serves as a guide; popular on mobile homes; fits on *Phillips* windows.

You may wish to stock these related parts: **172431**, **172543**, **172562**.

17679



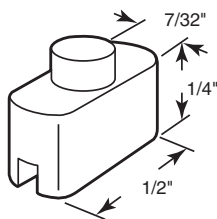
17679

Bottom Glide

Contents: 2 glides.

Description: Nylon glide; installs on bottom of window to act as a roller; fits on *Likit* windows.

You may wish to stock these related parts: **17368-L**, **17368-R**, **172551**.



171956

171956

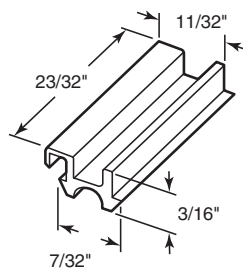
Bottom Glide

Contents: 4 glides.

Description: Nylon glide snaps into hole in bottom vent rail; fits on *Alenco*.

You may wish to stock these related parts: **172550**, **171121**, **171122**.

171121



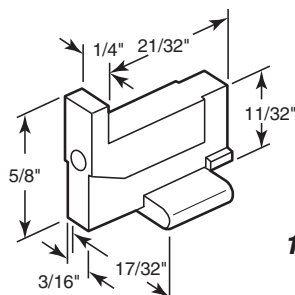
171121

Bottom Glide

Contents: 4 glides.

Description: Nylon glide acts as a roller on sliding aluminum windows; fits on *Alenco*.

You may wish to stock these related parts: **171122**, **171922**.



172552

172552

Bottom Glide

Contents: 2 glides.

Description: Nylon corner and bottom glide act as a roller on sliding aluminum windows; fits on *Mayfair* windows.

You may wish to stock these related parts: **17338**, **171217**.

Sliding Window Rollers & Guides

17678

Guide

Contents: 2 guides.

Description: Nylon guide; installs on lock side of window; fits on *Likit* windows.

You may wish to stock these related parts: **172551**.

171120

Guide

Contents: 6 guides.

Description: Nylon guide; snap-in design; used on both top and bottom of window.

17594

Guide

Contents: 2 guides.

Description: Plastic snap-in style guide; fits on *Radco* windows.

You may wish to stock these related parts: **17555**.

17680

Guide

Contents: 2 guides.

Description: Nylon guide; snap-in design; fits on *Likit* windows.

You may wish to stock these related parts: **17368-L**, **17368-R**.

171540

Guide

Contents: 4 guides.

Description: White nylon guide; fits on *Guaranteed Products* and other window manufacturers.

You may wish to stock these related parts: **17484**, **171491**, **171642**.

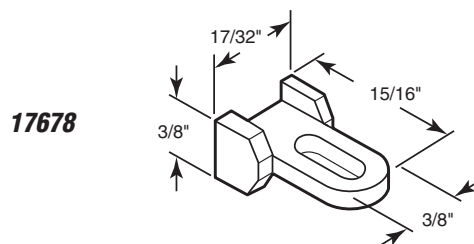
17677

Guide and Bumper

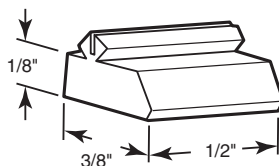
Contents: 2 guides.

Description: Nylon guide; installs on lock side of window; fits on *Likit* windows.

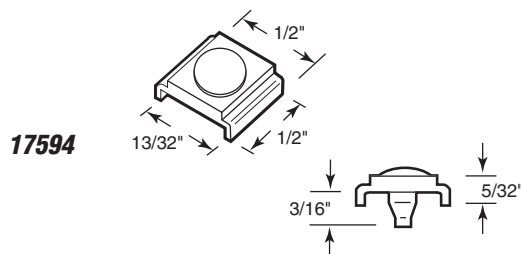
You may wish to stock these related parts: **17368-L**, **17368-R**, **172551**.



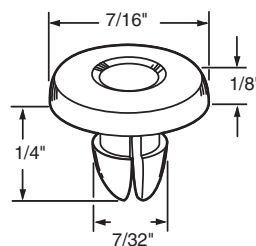
17678



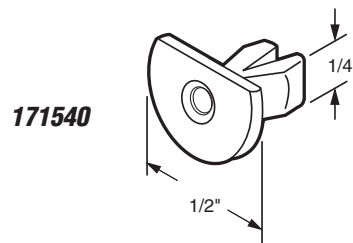
171120



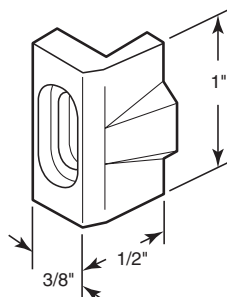
17594



17680

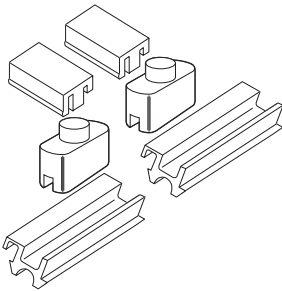
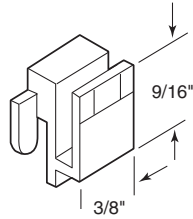


171540



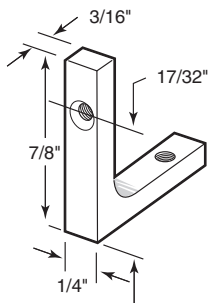
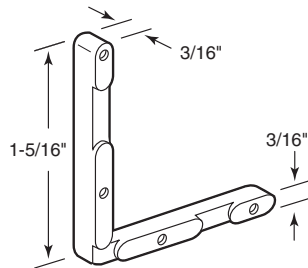
17677

17676
G-3078A
G-3078B
G-3078C
G-3078D



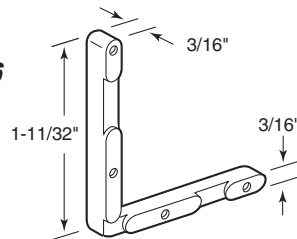
171922

172487
17361

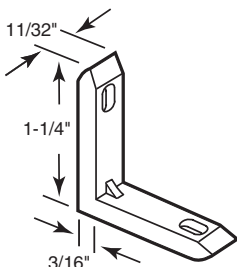


172470
172470-100

172536



17338



17676 (1 set per card)
G-3078A (100 per box - top left)
G-3078B (100 per box - top right)
G-3078C (100 per box - bottom left)
G-3078D (100 per box - bottom right)

Corner Guide Set

Contents: 4 guides.

Description: Nylon guides mount on each corner and act as a glide and guide; fits on *Likit* windows.

You may wish to stock these related parts: **17368-L**, **17368-R**, **172551**.

171922

"Alenco" Repair Kit

Contents: 2 each - top guides, bottom glides (old style) and bottom glides (new style)

Description: Nylon guide and glides; snap-in application; used to repair *Alenco Series 200* sliding windows, either new or old style.

172487 (8 per card)
17361 (100 per box)

Corner Insert

Contents: Diecast corners.

Description: Inserts into window frame extrusion to hold frame together; fits on *Bel-Air*.

172470 (4 per card)
172470-100 (100 per box)

Corner Insert

Contents: Extruded aluminum corners; no. 5-40 x 5/16" Phillips flat head machine screws.

Description: Inserts into window extrusion to hold frame together; fits on *Rylock* windows.

172536

Corner Insert

Contents: 8 corners.

Description: Diecast corner; attaches to window frame by indenting frame with punch; designed to fit "*C*" Sash frame.

17338

Corner Insert

Contents: 4 diecast corners.

Description: Inserts into window extrusion to hold frame together; fits on *Mayfair* windows.

Sliding Window Rollers & Guides

17339

Corner Insert

Contents: 4 corners.

Description: Zinc diecast corner inserts; fits on *Rylock* and others.

17367

Corner Insert & Roller

Contents: 2 corners.

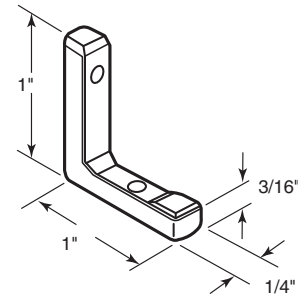
Description: Diecast corner inserts with 7/32" x 5/8" nylon rollers; fits on *Trimview*.

*Call for
Availability*

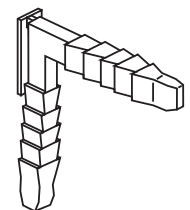
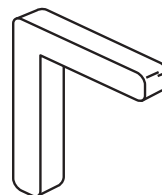
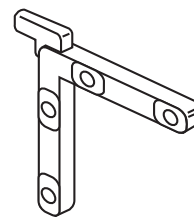
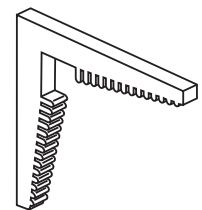
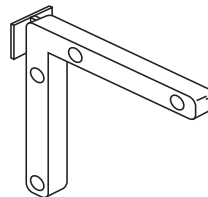
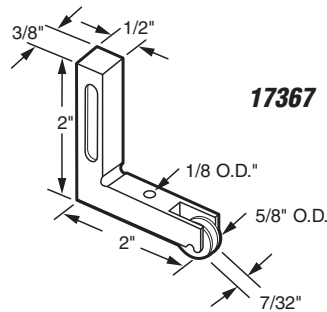
Contact our

Customer Service Department
for a much larger selection
of corner keys and tilt keys!

17339

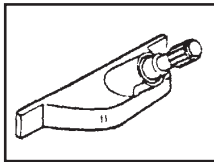


17367



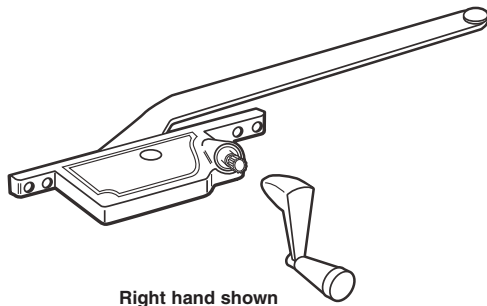
Square Type	Teardrop Type	Arm Length	Painted Finish	Hand*
17390-RA-6	1762-RA-6	6"	Aluminum	Right
17390-LA-6	1762-LA-6	6"	Aluminum	Left
17390-RB-6	1762-RB-6	6"	Bronze	Right
17390-LB-6	1762-LB-6	6"	Bronze	Left
—	1762-RW-6	6"	White	Right
—	1762-LW-6	6"	White	Left
17390-RA-7	1762-RA-7	7"	Aluminum	Right
17390-LA-7	1762-LA-7	7"	Aluminum	Left
17390-RB-7	1762-RB-7	7"	Bronze	Right
17390-LB-7	1762-LB-7	7"	Bronze	Left
—	1762-RW-7	7"	White	Right
—	1762-LW-7	7"	White	Left
17390-RA-8	1762-RA-8	8"	Aluminum	Right
17390-LA-8	1762-LA-8	8"	Aluminum	Left
17390-RB-8	1762-RB-8	8"	Bronze	Right
17390-LB-8	1762-LB-8	8"	Bronze	Left
17390-RW-8	1762-RW-8	8"	White	Right
17390-LW-8	1762-LW-8	8"	White	Left
17390-RA	1762-RA	9"	Aluminum	Right
17390-LA	1762-LA	9"	Aluminum	Left
17390-RB	1762-RB	9"	Bronze	Right
17390-LB	1762-LB	9"	Bronze	Left
17390-RW	1762-RW	9"	White	Right
17390-LW	1762-LW	9"	White	Left
172573-R	—	9"	Brass Plated	Right
172573-L	—	9"	Brass Plated	Left

* Hand determined by window hinge location from outside home looking in.



Spindle (For crank)

Square Type = 3/8" Diameter
Teardrop Type = 5/16" Diameter



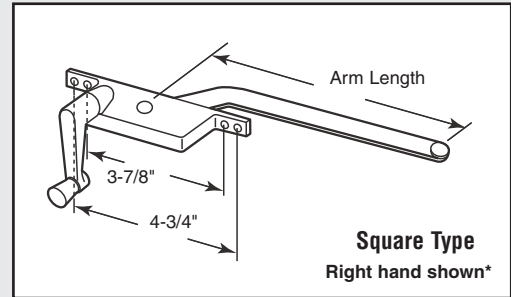
Right hand shown

Casement Operators (Diecast - face mount)

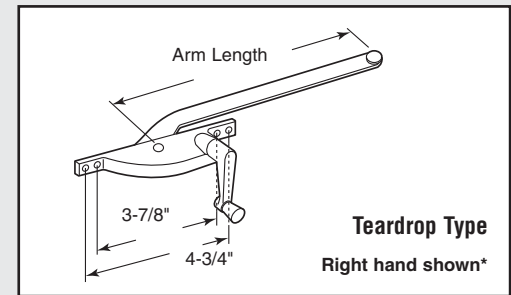
Contents: 1 operator; 1 crank handle and 1 set of installation screws.

Description: Worm gear mechanism driven; steel arm; square type has 3/8" diameter spindle and teardrop type has 5/16" diameter spindle; used on steel framed windows.

You may also wish to stock these related parts: 17407, 17240 thru 17240-2-B, 17243, 17243-2, 17240-W thru 17243-2-W.



Square Type
Right hand shown*



Teardrop Type
Right hand shown*

Casement Operators (Diecast - face mount)

Contents: 1 operator; 1 crank handle and 1 set of installation screws.

Part No.	Painted Finish	Hand*
172056-R	Aluminum	Right
172056-L	Aluminum	Left
172057-R	Bronze	Right
172057-L	Bronze	Left

Call for
Availability

* Hand determined by window hinge location from outside home looking in.

Description: Worm gear mechanism driven; steel arm; this style was used extensively in the Florida market.

Window Hardware

Casement Operators (Diecast - surface mount)

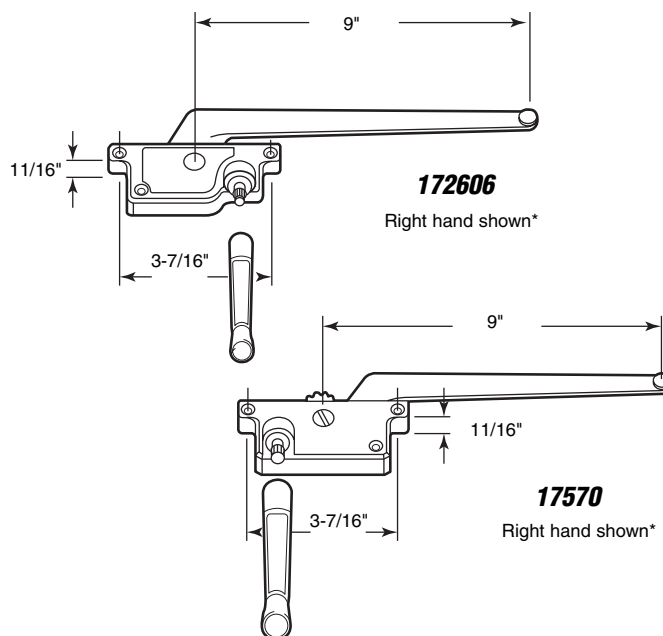
Contents: 1 operator; 1 crank handle and 1 set of installation screws.

Painted Part No.	Finish	Spindle Hand*	Dia.
172606-RA	Aluminum	Right	3/8"
172606-LA	Aluminum	Left	3/8"
172606-RB	Bronze	Right	3/8"
172606-LB	Bronze	Left	3/8"
17570-R (Deluxe)	Bronze	Right	3/8"
17570-L (Deluxe)	Bronze	Left	3/8"

* Hand determined by window hinge location from outside home looking in.

Description: Worm gear mechanism driven; steel arm; used on wood window frames by many manufacturers.

You may also wish to stock these related parts: 17240 thru 17240-2-B, 17571.



Casement Operators (Diecast - surface mount)

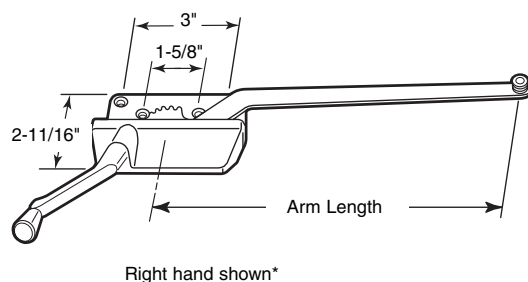
Contents: 1 operator; 1 crank handle and 1 set of installation screws.

Part No.	Arm Length	Painted Finish	Hand*	Spindle Dia.
171067-R	9-1/2"	Bronze	Right	11/32"
171067-L	9-1/2"	Bronze	Left	11/32"
171067-R-13.5	13-1/2"	Bronze	Right	11/32"
171067-L-13.5	13-1/2"	Bronze	Left	11/32"

* Hand determined by window hinge location from outside home looking in.

Description: Worm gear mechanism driven; steel arm; used on wood and vinyl framed windows.

You may also wish to stock these related parts: 17240 thru 17240-2-B, 171720, 17819-RB, 17819-LB.



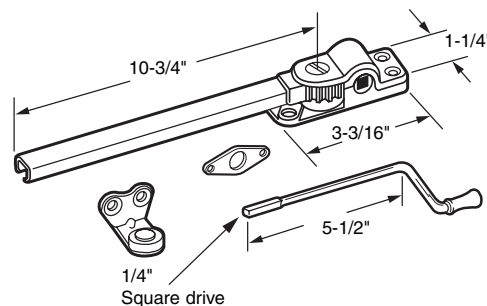
Casement Operators (Diecast - surface mount)

Contents: 1 operator; 1 crank handle and all mounting hardware

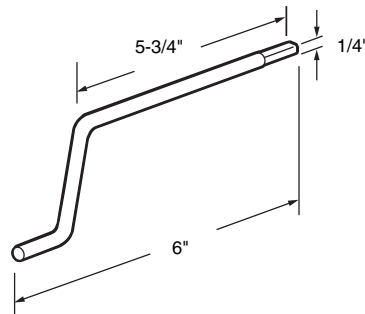
Part No.	Arm Finish	Package
17975	Uni-chrome	Skin card
H-3680	Uni-chrome	Display box
H-3687	Brass plated	Skin card
H-3688	Brass plated	Display box

Description: Reversible; non-handed; requires 1-3/8" space between screen and sash; heavy cast worm gear with steel arm; full 90° motion in both directions; fits on Parlyn and others on wood framed windows.

You may also wish to stock these related parts: 17976.



17976



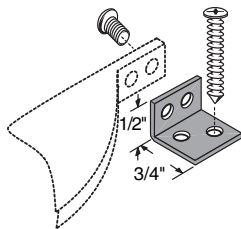
17976

Casement Operator Handle (Diecast)

Contents: 1 handle.

Description: Brass plated; 1/4" square shank; fits on *Wesco* and other type operators.

You may wish to stock these related parts: **17975, 171543, H-3687, H-3688.**



172660
172660-B

172660 (Aluminum)

172660-B (Bronze)

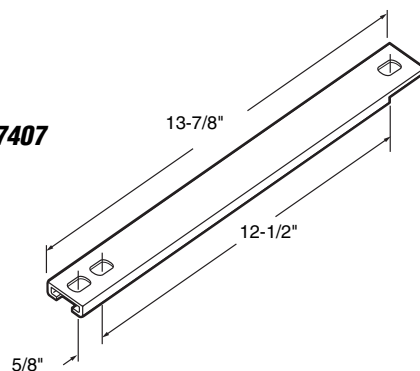
Casement Operator Mounting Brackets

Contents: 2 brackets; 1 set of installation screws.

Description: Used to convert face mounted operator to surface mounted operator for wood windows; **stamped steel construction**; 2 holes are threaded to provide machine screw assembly to operator.

You may wish to stock these related parts: **1762-RA-6 thru 1762-LW, 17390-RA-6 thru 17390-LW.**

17407



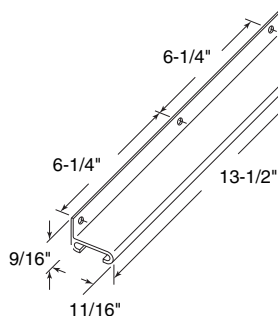
17407

Casement Track (For steel casements)

Contents: 1 track with mounting screws.

Description: Aluminum track attaches to steel window; channel accepts guide rivet on end of operator arm to accommodate opening and closing of window.

You may wish to stock these related parts: **1762-RA-6 thru 1762-LW, 17390-RA-6 thru 17390-LW.**



17571

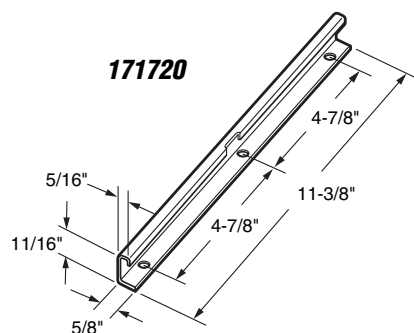
17571

Casement Track (For wood casements)

Contents: 1 track with mounting screws.

Description: Extruded aluminum track attaches to wood window; channel accepts guide roller on end of operator arm to accommodate opening and closing of window.

You may wish to stock these related parts: **172606-RA thru 172606-LB, 17570-R, 17570-L.**



171720

171720

Casement Track (For wood or vinyl casements)

Contents: 1 track with mounting screws.

Description: Stamped steel track attaches to wood or vinyl windows; channel accepts guide roller on end of operator arm to accommodate opening and closing of window.

You may wish to stock these related parts: **171067-R thru 171067-L-13.5.**

17819-RB (Right hand)

17819-LB (Left hand)

Casement Lock (Bronze finish)

Contents: 1 locking unit; 1 keeper; 1 set of installation screws.

Description: Diecast housing with steel locking mechanism and keeper; use by many manufacturers of wood and vinyl framed windows.

You may wish to stock these related parts: **171067-R** thru **171067-L-13.5**, **17820**.

17241 (Aluminum)

Casement Operator Crank Handle

Contents: 1 handle.

Description: Zinc diecast handle; 5/16" bore; fits on *Parlyn*.

172615 (Aluminum)

Awning Operator Crank Handle (3/8" Hex)

Contents: 1 handle with set screw.

Description: Zinc diecast handle; used with 172616 operator and 172633 hex drive bar.

You may wish to stock these related parts: **172614**, **172616**, **172633**.

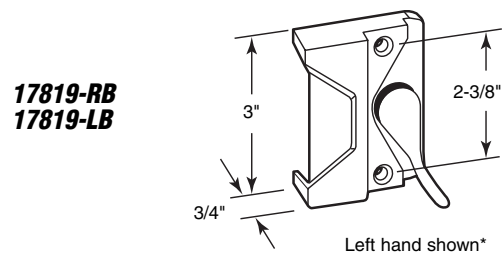
Casement Operator Crank Handle

Contents: 1 handle.

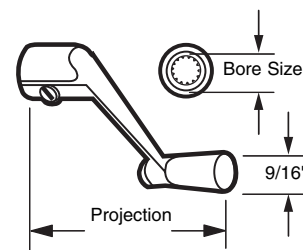
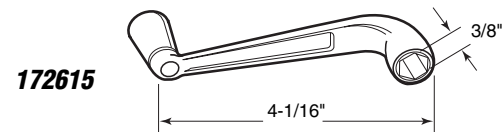
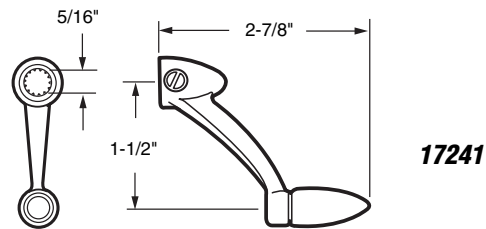
Part No.	Painted Finish	Bore Size	Projection
17240	Aluminum	5/16"	2-11/16"
17240-B	Bronze	5/16"	2-11/16"
17240-W	White	5/16"	2-11/16"
171925	Bronze	11/32"	3"
17240-2	Aluminum	3/8"	2-11/16"
17240-2-B	Bronze	3/8"	2-11/16"
17240-2-W	White	3/8"	2-11/16"
171786*	Aluminum	3/8"	3-1/2"

*Fits awning operators only.

Description: Diecast handle; universal design; this crank style handle offers excellent torque for easiest opening and closing of window.

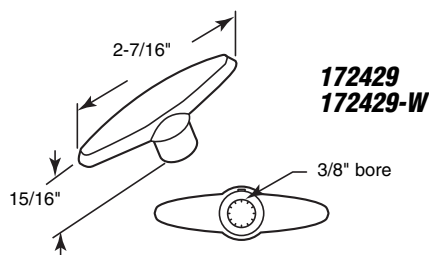
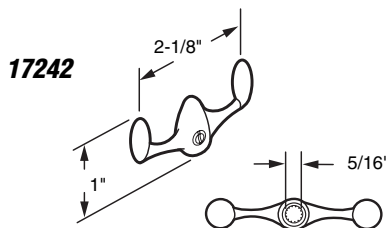
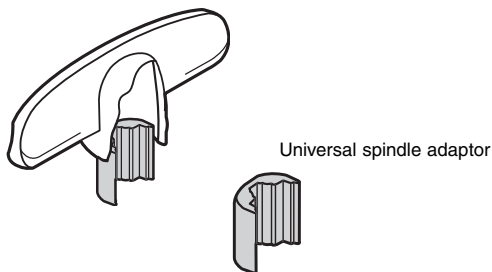


* Handing determined by window hinge location from *outside* home looking *in*, when unit is in the locked position.



Painted Finish	Bore Size	Part No. 1 per Card	Part No. 2 per Card	Fits on
Aluminum	5/16"	17243	172921	Many Mfrs.
Aluminum	3/8"	17243-2	172922	Many Mfrs.
Bronze	5/16"	17243-B	172923	Many Mfrs.
Bronze	3/8"	17243-2-B	172924	Many Mfrs.
White	5/16"	17243-W	172925	Many Mfrs.
White	3/8"	17243-2-W	172926	Many Mfrs.
Light Brass	5/16"	172013	—	Many Mfrs.
Coppertone	11/32"	172003	172927	Truth
Bronze	11/32"	172004	—	Truth
Star Brown	11/32"	172005	172928	Truth
White	11/32"	172006	172929	Truth
Chestnut Bronze	11/32"	172007	—	Truth
Light Brass	11/32"	172008	—	Truth
Beige	11/32"	172175	—	Truth
Gold	11/32"	172162	—	Truth
Star Brown	5/16"	172188	—	Many Mfrs.
Star Brown	3/8"	172009	—	Anderson
Light Brass	3/8"	172010	—	Anderson
Driftwood	9/32"	172011	—	Peachtree
Copper	3/8"	172012	—	Pella
White	3/8"	172851	—	Pella
Bronze	7/16"	172160	—	Marvin

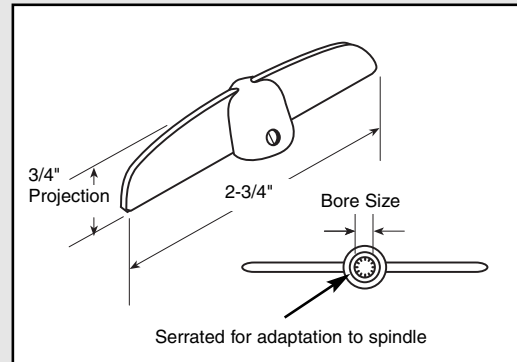
* This 3/8" bore has a special deep inset serration.



Casement Operator Tee Handle

Contents: Handles.

Description: Diecast handle; supplied with set screw; replaces most crank style handles and does not interfere with blinds, shades and shutters, etc; colors vary to various manufacturers' specifications.



- 173234-A** (Aluminum)
- 173234-B** (Satin bronze)
- 173234-C** (Champagne)
- 173234-D** (Driftwood)
- 173234-F** (Dark brown)
- 173234-W** (White)

Casement Operator *Universal* Tee Handles

Contents: 2 handles; 2 universal spindle adapters.

Description: Diecast handles; 2 diecast adapters for different popular bore sizes; adapter fits over spindle on operator; tee-handle then fits over adapter and is locked on to spindle with set screw.

17242 (Aluminum)

Jalousie Operator Tee Handle

Contents: 1 handle.

Description: Diecast handle; fits 5/16" spindle as fits on *Parlyn*.

172429 (Gray)
172429-W (White)

Awning Operator Tee Handle

Contents: 1 handles.

Description: Diecast handle; universal design with 3/8" bore size.

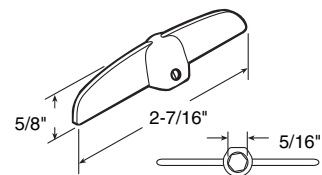
172617

Awning Operator Tee Handle

Contents: 1 handle.

Description: Diecast handle; uniquely designed for 5/16" hex drive operators.

172617



171858-R (Aluminum - right hand)

171858-L (Aluminum - left hand)

171924-R (Bronze - right hand)

171924-L (Bronze - left hand)

171926-R (White - right hand)

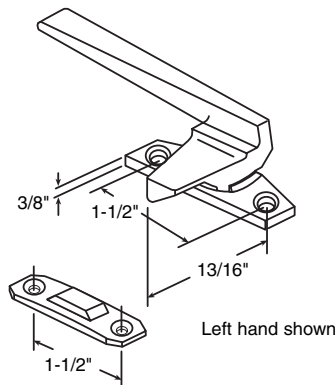
171926-L (White - left hand)

Casement Locking Handle (Offset base)

Contents: 1 locking handle; 1 keeper; 1 set of installation screws.

Description: Diecast locking handle and keeper with 1-1/2" hole centers; similar to *Truth* hardware; uses #10 flat head machine screws commonly used on metal framed windows.

You may wish to stock these related parts: **172621-A**, **172621-B**.



172669-AR (Aluminum - right hand)

172669-AL (Aluminum - left hand)

172669-BR (Bronze - right hand)

172669-BL (Bronze - left hand)

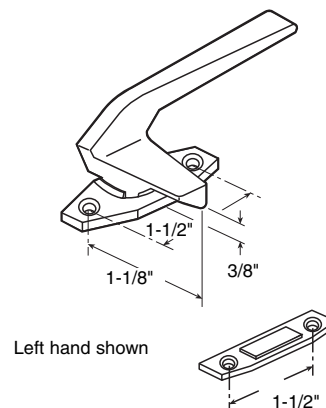
172669-WR (White - right hand)

172669-WL (White - left hand)

Casement Locking Handle (In-line base)

Contents: 1 locking handle; 1 keeper; 1 set of installation screws.

Description: Diecast locking handle and keeper with 1-9/16" hole centers; uses #8 sheet metal screws for application to wood framed windows.



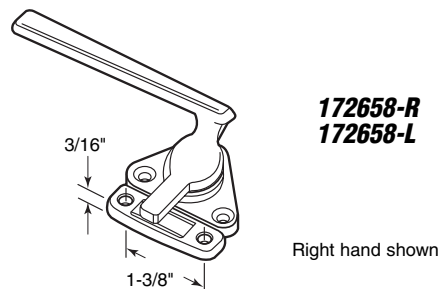
172658-R (Right hand)

172658-L (Left hand)

Casement Locking Handle

Contents: 1 handle; 1 strike; 1 set of installation screws.

Description: Zinc diecast locking handle; aluminum finish.



172619-R (Right hand)

172619-L (Left hand)

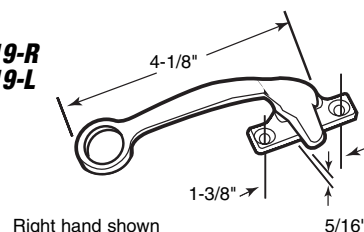
Casement Locking Handle

Contents: 1 handle.

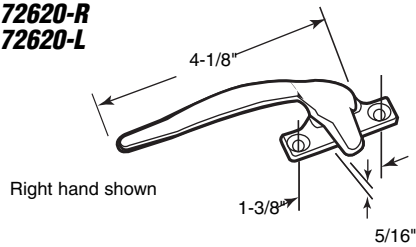
Description: Heavy bronze casting; 1-3/8" hole centers for steel windows; hole in lock handle allows it to be used, in elevated location, for pole operation.

You may wish to stock these related parts: **172652**.

172619-R 172619-L



172620-R
172620-L



Right hand shown

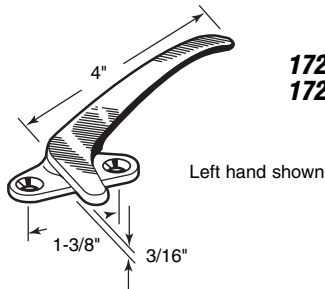
172620-R (Right hand)
172620-L (Left hand)

Casement Locking Handle

Contents: 1 handle.

Description: Heavy bronze casting; polished finish; 1-3/8" hole centers for steel windows; used by many commercial window manufacturers.

You may wish to stock these related parts: **172652**.



Left hand shown

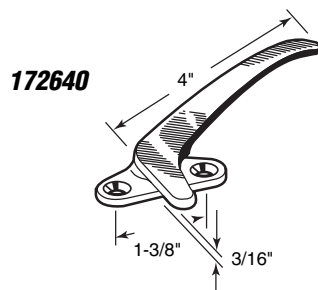
172639-R
172639-L

172639-R (Right hand)
172639-L (Left hand)

Casement Window Handle

Contents: 1 handle; 1 set of installation screws.

Description: Polished red bronze (85% copper); 1-3/8" hole centers; used on many casement windows.



172640

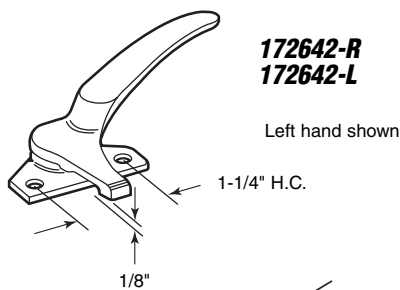
172640

Hopper Window Locking Handle

Contents: 1 handle; 1 set of installation screws.

Description: Heavy bronze casting; dark bronze finish; 1-3/8" hole centers; used as top handle on project-out windows.

You may wish to stock these related parts: **172641**.



172642-R
172642-L

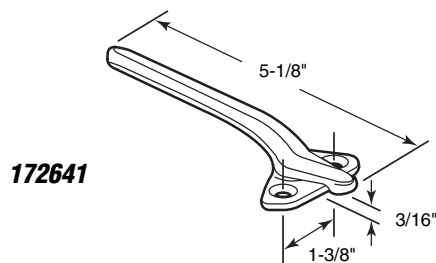
Left hand shown

172642-R (Right hand)
172642-L (Left hand)

Casement Locking Handle

Contents: 1 handle; 1 set of installation screws.

Description: Heavy bronze casting; dark bronze finish; used on steel projecting and casement windows; 1-1/4" hole centers.



172641

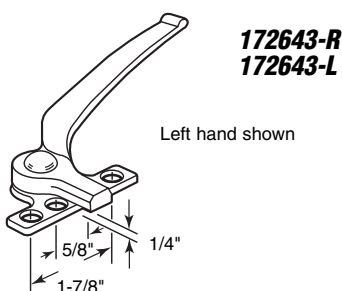
172641

Hopper Window Locking Handle

Contents: 1 handle; 1 set of installation screws.

Description: Heavy bronze casting; dark bronze epoxy finish; used as bottom handle on hopper windows.

You may wish to stock these related parts: **172640**.



172643-R
172643-L

Left hand shown

172643-R (Right hand)
172643-L (Left hand)

Casement or Projecting Window Locking Handle

Contents: 1 handle; 1 set of installation screws.

Description: Heavy bronze casting; dark bronze finish; 4 hole mounting bracket; used as a top handle on dual hopper windows.

You may wish to stock these related parts: **172644**.

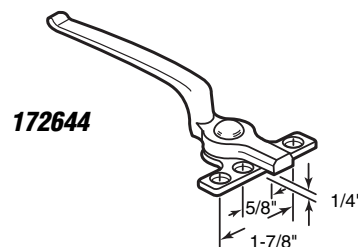
172644

Casement or Projecting Window Locking Handle

Contents: 1 handle; 1 set of installation screws.

Description: Heavy bronze casting; dark bronze finish; 4 hole mounting bracket; used as a bottom handle on dual hopper windows.

You may wish to stock these related parts: 172643-R, 172643-L.



172645-R (Right hand)

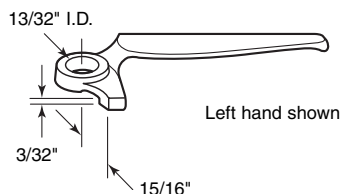
172645-L (Left hand)

Casement or Projecting Window Locking Handle

Contents: 1 handle.

Description: Heavy bronze casting; dark bronze finish; locking handle fits on old style *Fenestra* windows.

You may wish to stock these related parts: 172651.



172645-R 172645-L

172646-R (Right hand)

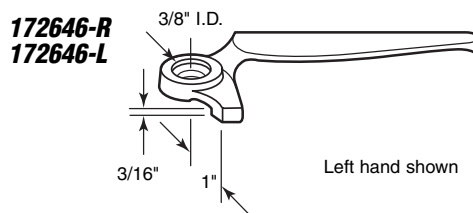
172646-L (Left hand)

Casement or Projecting Window Locking Handle

Contents: 1 handle.

Description: Heavy bronze casting; dark bronze finish; locking handle fits on *Fenestra* windows.

You may wish to stock these related parts: 172651.



172646-R 172646-L

172647-R (Red bronze - right hand)*

172647-L (Red bronze - left hand)*

172661-R (Zinc - right hand)

172661-L (Zinc - left hand)

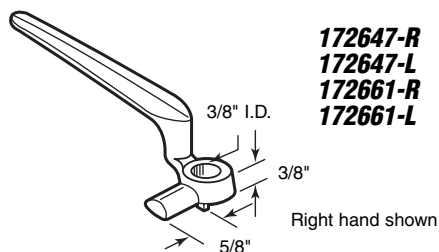
Casement or Projecting Window Locking Handle

Contents: 1 handle.

Description: Zinc & red bronze castings; locking handle used on old style casement windows; fits on *Fenestra* and others.

*Call for availability on these items.

You may wish to stock these related parts: 172651.



172647-R 172647-L 172661-R 172661-L

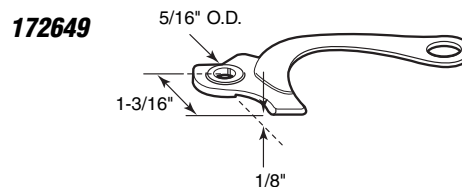
172649

Casement or Projecting Window Locking Handle

Contents: 1 handle.

Description: Red bronze casting (81% copper); locking handle used on old style steel windows.

You may wish to stock these related parts: 172651.



172649

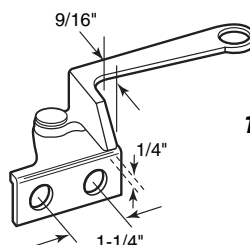
172648

Casement or Projecting Window Locking Handle

Contents: 1 handle.

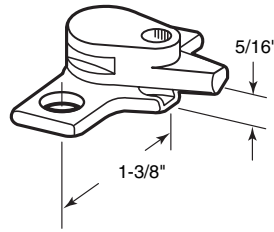
Description: Polished red bronze casting (81% copper); fits in upper position on *Lupton* dual projecting windows.

You may wish to stock these related parts: 172654.



172648

172634



172634

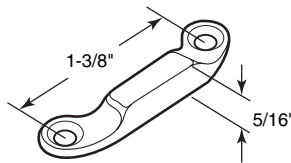
Casement Security Lock

Contents: 1 lock; 1 set of installation screws.

Description: Heavy bronze casting; used to prevent accidental opening; often referred to as an air conditioner lock; 1-3/8" hole centers; fits most steel windows.

You may wish to stock these related parts: 172637, 172652, 172690.

172652



172652

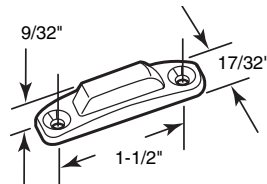
Casement Locking Handle Strikeplate

Contents: 1 strike; 1 set of installation screws.

Description: Heavy bronze casting; strike used with many different types of locking handles.

You may wish to stock these related parts: 172619-R thru 172620-L.

172621-A
172621-B



172621-A (Aluminum)

172621-B (Bronze)

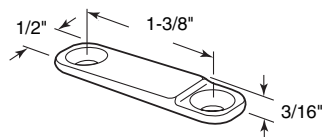
Casement Locking Strikeplate

Contents: 1 strike housing; 1 strike insert; 1 set of installation screws.

Description: Nylon strike insert provides long lasting, trouble free wear; diecast base in painted finishes.

You may wish to stock these related parts: 171858-R, 171858-L, 171924-R, 171924-L.

172656



172656

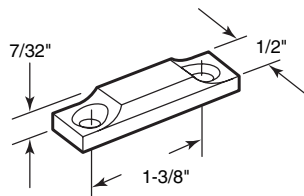
Casement Locking Handle Strikeplate

Contents: 2 strikes.

Description: Extruded aluminum strike has angled surface plate; 1-3/8" hole centers; 3/16" maximum height.

You may wish to stock these related parts: 172652, 172653.

172653



172653

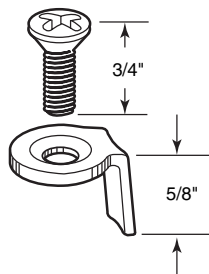
Casement Locking Handle Strikeplate

Contents: 1 strike; 1 set of installation screws.

Description: Heavy bronze casting; used with many different types of locking handles.

You may wish to stock these related parts: 172619-R thru 172620-L.

172651



172651

Single Hole Locking Clevis & Screw

Contents: 1 clevis; 1 screw with washer.

Description: Assembly used to attach one hole locking handles; dark bronze finish.

You may wish to stock these related parts: 172645-R thru 172647-L, 172649.

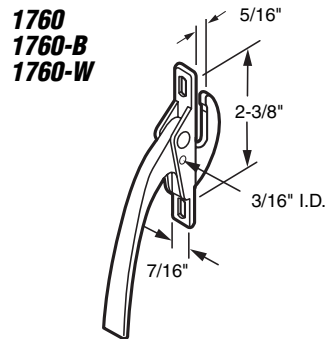
1760 (Aluminum)
1760-B (Bronze)
1760-W (White)

Casement Locking Handle

Contents: 1 handle; 1 set of installation screws.

Description: Painted diecast window lock for aluminum or steel windows; accepts a 1/8" security pin, 172852.

You may wish to stock these related parts: 17408, 172852.



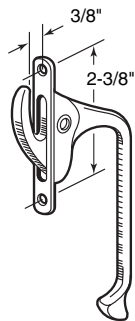
172608

Casement Locking Handle

Contents: 1 handle.

Description: Dark bronze casting; non-handed; 2-3/8" hole centers.

You may wish to stock these related parts: 17408.



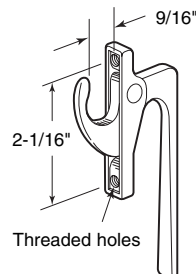
172608

172609

Casement Locking Handle

Contents: 1 handle.

Description: White bronze casting; dark bronze finish; internally threaded #12-24 mounting holes; fits on *Fenestra* windows.



172609

1760-A-RA (Aluminum)

1760-A-RB (Bronze)

1760-A-RW (White)

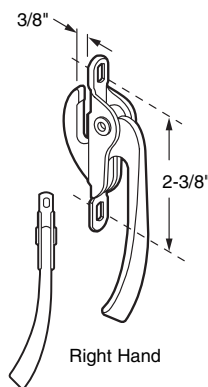
172678-R (Red - for emergency exits)

Casement Locking Handle (Right hand)

Contents: 1 handle; 1 set of installation screws.

Description: Right hand; painted diecast locking handle used on double windows with narrow center rail.

You may wish to stock these related parts: 1760-A-LB, 17408.



1760-A-RA
 1760-A-RB
 1760-A-RW
 172678-R

1760-A-LA (Aluminum)

1760-A-LB (Bronze)

1760-A-LW (White)

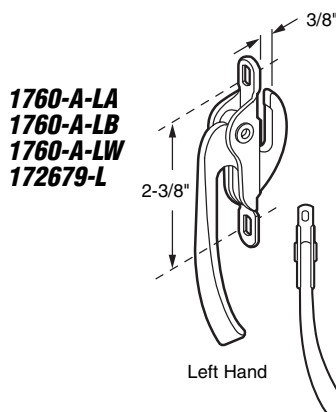
172679-L (Red - for emergency exits)

Casement Locking Handle (Left hand)

Contents: 1 handle; 1 set of installation screws.

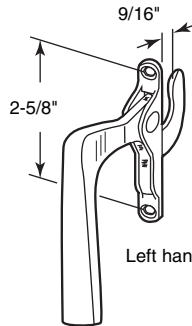
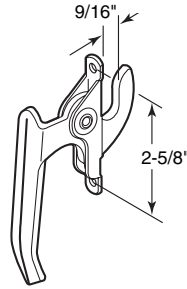
Description: Left hand; painted diecast locking handle used on double windows with narrow center rail.

You may wish to stock these related parts: 1760-A-RB, 17408.



172607-R
172607-L

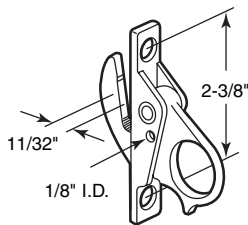
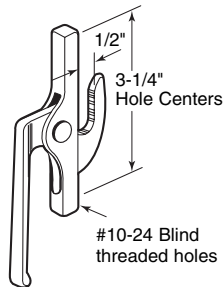
Right hand shown



172610-R
172610-L

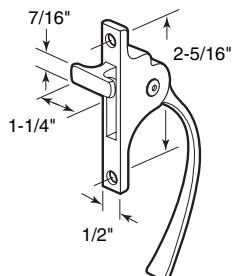
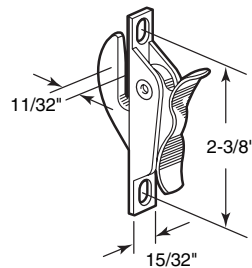
Left hand shown

172638



172613

172632



172611

172607-R (Right hand)
172607-L (Left hand)

Casement Locking Handle

Contents: 1 handle.

Description: Stamped steel construction; aluminum finish; fits on *Fenestra* windows.

You may wish to stock these related parts: **172610-R**, **172610-L**.

172610-R (Right hand)
172610-L (Left hand)

Casement Locking Handle

Contents: 1 handle.

Description: White bronze casting; polished finish; 2-5/8" hole centers; fits on *Fenestra* and *Ceco* windows.

172638

Casement Locking Handle

Contents: 1 handle; 1 set of mounting screws.

Description: Heavy bronze casting; 3-1/4" hole centers; no. 10-24 blind mounting holes; fits on *Thorn* on steel windows.

You may wish to stock these related parts: **17408**, **172609**.

172613 (Aluminum)

Casement Locking Handle

Contents: 1 handle; 1 set of installation screws.

Description: Ring type locking handle; zinc diecast painted finish; 2-3/8" hole centers.

You may wish to stock these related parts: **17408**, **172852**.

172632 (Bronze)

Casement Cam Lock

Contents: 1 lock; 1 set of installation screws.

Description: Painted zinc diecast; thumb operated; for aluminum, steel or wood windows.

You may wish to stock these related parts: **17408**.

172611 (Bronze)

Casement Dual Locking Handle

Contents: 1 handle.

Description: Painted diecast locking handle; dual latch engages 2 windows at once; fits on *Lupton* windows.

You may wish to stock these related parts: **172612**.

172626 (Bronze)

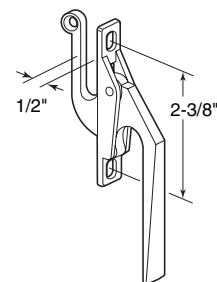
Casement Window Bottom Latch (Dual Locking)

Contents: 1 handle; 1 set of installation screws.

Description: Painted zinc diecast bottom latch used on dual locking windows; connects to **172625** top latch with a tie bar.

You may wish to stock these related parts: **17408**.

172626



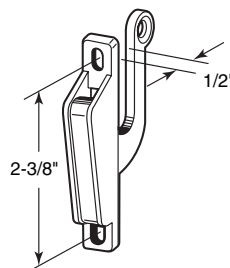
172625 (Bronze)

Casement Window Top Latch (Dual Locking)

Contents: 1 handle; 1 set of installation screws.

Description: Painted zinc diecast top latch used on dual locking windows; connects to **172626** bottom latch with a tie bar.

You may wish to stock these related parts: **17408**.



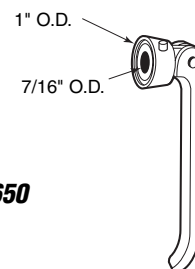
172625

172650 (Bronze)

Casement Locking Handle

Contents: 1 handle.

Description: Painted zinc diecast locking handle fits on very old *Fenestra* windows; handle is spring loaded and pulls out.



172650

172622-R (Right hand)

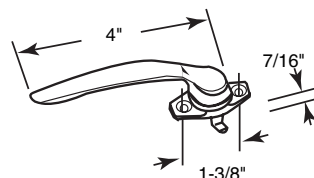
172622-L (Left hand)

Casement Project-In Locking Handle (7/16")

Contents: 1 handle; 1 set of installation screws.

Description: 7/16" hook projection; heavy bronze casting; 1-3/8" hole centers; used on steel windows.

You may wish to stock these related parts: **172623-R**, **172623-L**, **172635-R** thru **172636-L**, **172652**, **172653**.



172622-R
172622-L

Right hand shown

172623-R (Right hand)

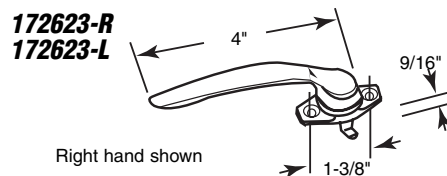
172623-L (Left hand)

Casement Project-In Locking Handle (9/16")

Contents: 1 handle; 1 set of installation screws.

Description: 9/16" hook projection; heavy bronze casting; 1-3/8" hole centers; used on steel windows.

You may wish to stock these related parts: **172622-R**, **172622-L**, **172635-R** thru **172636-L**, **172652**, **172653**.



172623-R
172623-L

Right hand shown

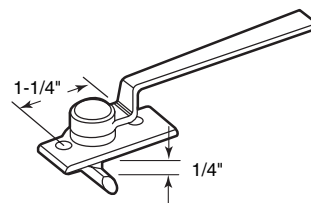
172654

Casement or Projecting Window Locking Handle

Contents: 1 handle.

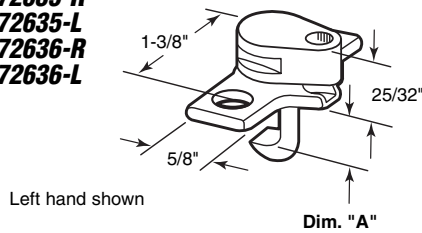
Description: Red bronze casting (81% copper); bottom locking handle fits on old style projecting windows manufactured by *Lupton*.

You may wish to stock these related parts: **172648**.



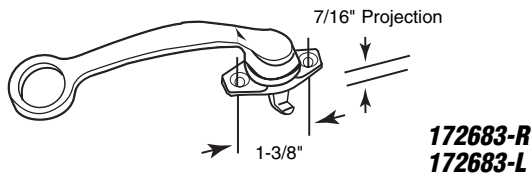
172654

172635-R
172635-L
172636-R
172636-L



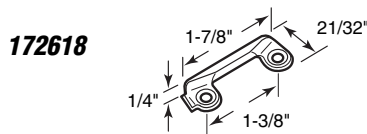
Left hand shown

Dim. "A"

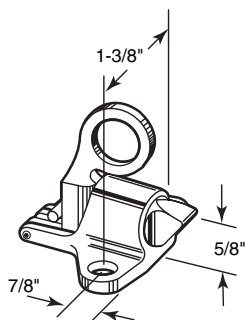
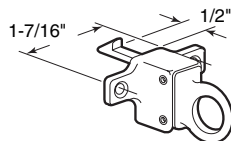


Right hand shown

172683-R
172683-L

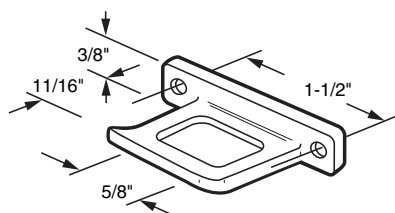


172618



172624

172684



Casement Project-In Security Lock

Contents: 1 lock; 1 set of installation screws.

Part No.	Dim. "A"	Hand
172635-R	7/16"	Right
172635-L	7/16"	Left
172636-R	9/16"	Right
172636-L	9/16"	Left

Description: Heavy bronze casting; used to prevent accidental opening; often referred to as an air conditioner lock; 1-3/8" hole centers; fits most steel windows.

You may wish to stock these related parts: **172652**, **172653**, **172690**.

172683-R (Right hand)

172683-L (Left hand)

Casement Project-In Locking Handle

Contents: 1 handle; 1 set of installation screws.

Description: Cast white bronze locking handle; 7/16" hook projection; 1-3/8" hole centers; used on steel windows.

172618 (Bronze)

Project-In Transom Latch

Contents: 1 latch; 1 keeper; 1 set of installation screws.

Description: Steel pole ring and latch hook; cast bronze housing; used on project-in windows; used by many manufacturers.

** Call for availability on this item.*

You may wish to stock these related parts: **172853-8** thru **172853-12**.

172624

Projecting Window Spring Catch

Contents: 1 catch; 1 set of installation screws.

Description: Spring catch with ring is used on project-in or project-out windows; brushed white bronze finish; heavy bronze casting.

You may wish to stock these related parts: **172853-8** thru **172853-12**.

172684

Keeper

Contents: 1 keeper.

Description: White bronze casting; used with **172624** spring catch.

172631 (Bronze)

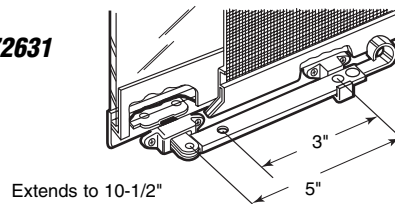
Project-Out Push-Bar Operator

Contents: 1 operator; 1 thru frame guide; 1 arm holder; 1 set of installation screws.

Description: Painted steel operator used to open old style projecting windows; **extends to 10-1/2"**; used by many window manufacturers.

Call for Availability

172631



172682 (Bronze)

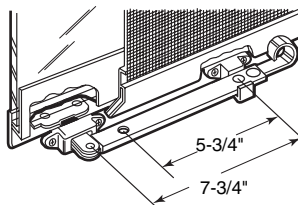
Project-Out Push-Bar Operator

Contents: 1 operator; 1 thru frame guide; 1 arm holder; 1 set of installation screws.

Description: Painted steel operator used to open old style projecting windows; **extends to 16"**; used by many window manufacturers.

Call for Availability

172682



Extends to 16"

171857 (Brass)

171857-AB (Antique brass)

171857-C (Chrome)

171857-W (White)

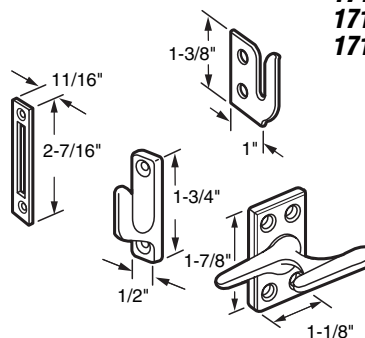
Casement Lock

Contents: 1 lock; 3 keepers; 1 set of installation screws.

Description: Painted or plated zinc diecast locking handle has 3 different keepers for special mounting applications; used on old style wood casement windows.

You may wish to stock these related parts: **17975, 17976.**

171857
171857-AB
171857-C
171857-W



17408 (Aluminum)

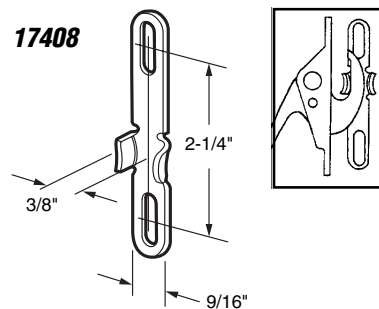
Universal Casement Lock Keeper

Contents: 1 keeper; 1 set of installation screws.

Description: Stamped aluminum keeper works on many types of casement windows.

You may wish to stock these related parts: **1760, 1760-B.**

17408



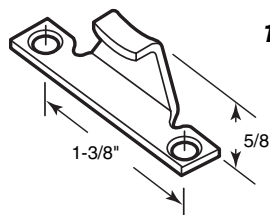
17820 (Gold irridite finish)

Casement Lock Keeper

Contents: 1 keeper; 1 set of installation screws.

Description: Keeper for **17819-RB** and **17819-LB** casement locks; **stamped steel construction.**

17820



172674

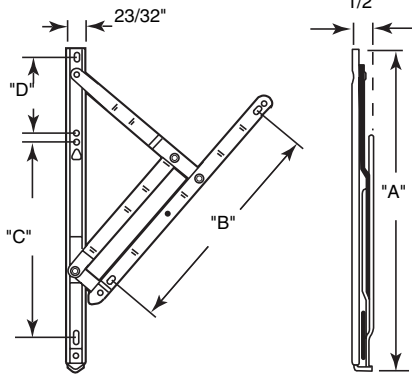


172674

Casement Lock Keeper

Contents: 1 keeper; 1 set of installation screws.

Description: **Stainless steel keeper;** may be used on a variety of casement locks; reverse for left or right hand locks.



**172853-8
172853-10
172853-12**

Casement And Projecting Window Hinge (4-Bar)

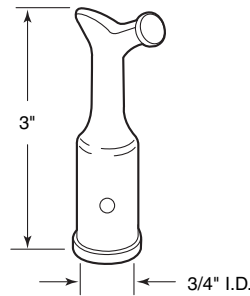
Contents: 2 hinges; 1 set of installation screws.

Part No.	Dim. A	Dim. B	Dim. C	Dim. D
172853-8	8"	4-3/4"	5-5/32"	1-5/8"
172853-10	10"	5-3/4"	6-1/32"	2-3/4"
172853-12	12"	6-3/4"	6-15/16"	3-7/8"

Description: **Stainless steel,** non-handed 4 bar hinge with stop and adjustable friction pad; used by many window manufacturers; standard duty.

You may also wish to stock these related parts: **171858-L, 171858-R, 171924-L, 171924-R.**

172655



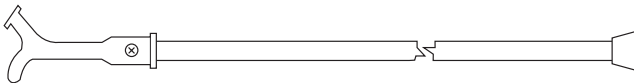
172655

Transom Latch Hook

Contents: 1 hook.

Description: **White bronze casting;** fits a 3/4" diameter pole; for ring pull handles and latches on upper story windows.

You may wish to stock these related parts: **172619-R, 172619-L, 172624.**



**172855
172681**

172855

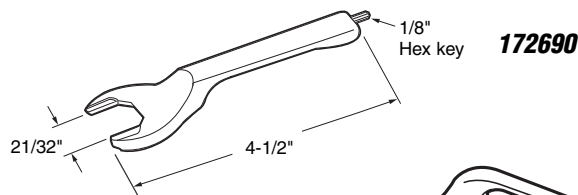
172681 (With storage hanger)

Transom Pole & Hook

Contents: 1 - 6' pole; 1 hook; 1 rubber tip; 1 screw.

Description: **Cast white bronze hook;** 3/4" diameter aluminum pole; ideal for reaching and actuating ring latches on upper story windows.

You may wish to stock these related parts: **172619-R, 172619-L, 172624.**



172690

172637 (5/32" hex wrench)

172690 (1/8" hex wrench)*

Security Lock Wrench

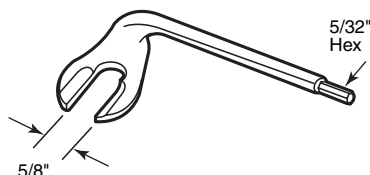
Contents: 1 wrench.

Description: **Heavy bronze casting;** used to lock and unlock "project-in" security lock; also has hex tool to secure set screw; polished finish.

*Call for availability on this item.

You may wish to stock these related parts: **172634 thru 172636-L.**

172637



Universal Louver Operator

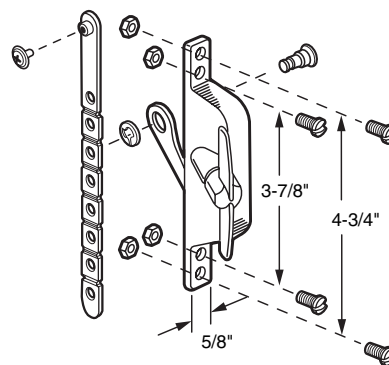
Contents: 1 operator with link; 1 set of installation fasteners.

Bulk: 25 per display box.

Finish	Carded Part No.	Bulk Part No.
Aluminum	17370	CCEP-3546
Bronze	17370-B	CCEP-3547
White	17370-W	CCEP-3818

Description: Replaces most operators currently in use; **diecast** construction; reversible; non-handed; universal break-off link has 1/2" hole spacings up to 5-5/16"; has a 5/16" spindle and **diecast** "T" handle.

You may wish to stock these related parts: **17360, 171398, 17674, 17942.**



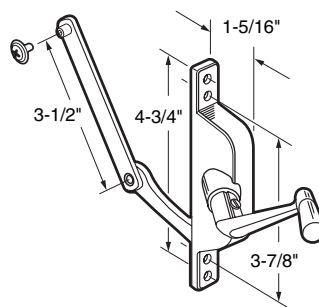
1761 (Carded) CCEP-3548 (Bulk)

Jalousie Operator (Aluminum)

Contents: 1 operator with link; 1 set of installation fasteners.

Bulk: 25 per display box.

Description: **Diecast** operator with crank handle at the center position; **3-1/2"** link.



**1761
CCEP-3548**

1761-L (Left hand - carded)

1761-R (Right hand - carded)

CCEP-3549 (Left hand - bulk)

CCEP-3550 (Right hand - bulk)

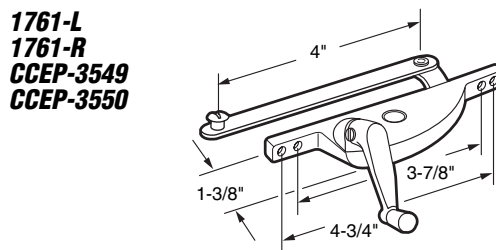
Jalousie Operator (Aluminum)

Contents: 1 operator with link; 1 set of installation fasteners.

Bulk: 25 per display box.

Description: **Diecast** operator with crank handle at the offset position; **4"** link.

You may wish to stock these related parts: **17674, 17942.**



**1761-L
1761-R
CCEP-3549
CCEP-3550**

Left hand shown

Jalousie Operator

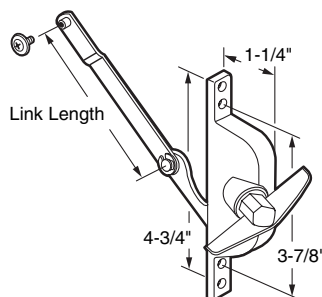
Contents: 1 operator with link; 1 set of installation fasteners.

Bulk: 25 per display box.

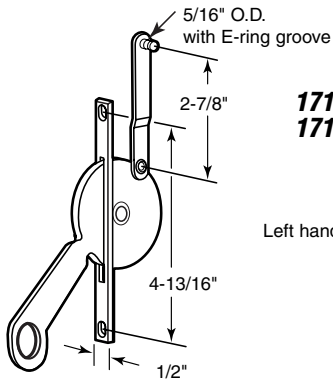
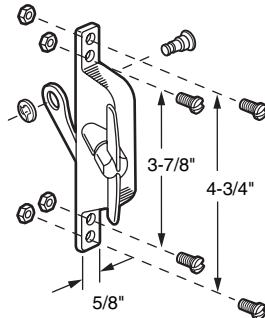
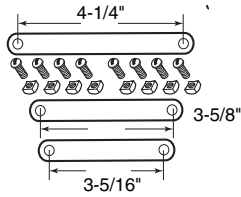
Finish	4-1/4" Link	3-5/8" Link
Aluminum	17430	172850
Bronze	17430-B	172850-B
White	17430-W	172850-W
Aluminum (Bulk)	CCEP-3551	—

Description: **Diecast** operator fits on **Daryl** windows; **offset** link; center position "T" handle.

You may wish to stock these related parts: **17674, 17942.**



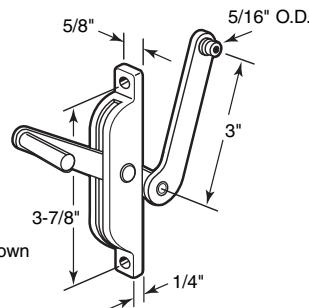
171398
171398-B
171398-W
CCEP-3557



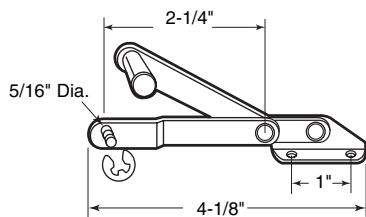
171923-L
171923-R

Left hand shown

17720-LA
17720-RA
17720-LB
17720-RB



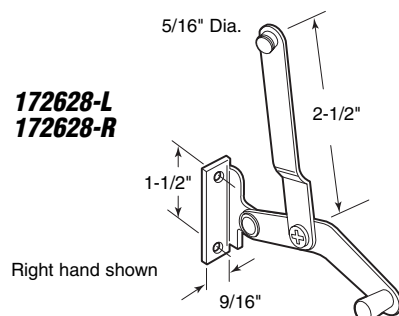
Left hand shown



17634-L
17634-R

Right hand shown

172628-L
172628-R



Right hand shown

171398 (Aluminum - carded)
CCEP-3557 (Aluminum - bulk)
171398-B (Bronze - carded)
171398-W (White - carded)

Jalousie Operator

Contents: 1 operator; 3 links; 1 set of installation fasteners.

Bulk: 25 per display box.

Description: Diecast operator with **3 link assortment**; center position "T" handle; designed to replace most jalousie operators.

171923-L (Left hand)

171923-R (Right hand)

Jalousie Operator

Contents: 1 operator with link; 1 set of installation fasteners.

Description: Stamped aluminum operator; slim-line design; with 2-7/8" offset link arm.

You may wish to stock these related parts: **17674, 17942.**

17720-LA (Aluminum - left hand)

17720-RA (Aluminum - right hand)

17720-LB (Bronze - left hand)

17720-RB (Bronze - right hand)

Louver or Jalousie Operator

Contents: 1 operator; 1 set of installation fasteners.

Description: Plastic housing with **3" aluminum** link arm; fits on *Visualite* and *Premiere*.

17634-L (Left hand)

17634-R (Right hand)

Louver or Jalousie Operator

Contents: 1 operator; 1 set of installation fasteners.

Description: Aluminum construction; grooved stud attaches to moving arm; complete with steel "E" ring; fits on *International* windows.

You may wish to stock these related parts: **172627.**

172628-L (Left hand)

172628-R (Right hand)

Louver or Jalousie Operator

Contents: 1 operator; 1 set of installation fasteners.

Description: Aluminum construction; attaches to moving arm of window to open glass vents.

17360

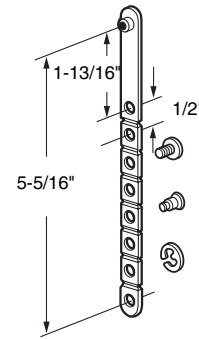
Universal "Break-Off" Link

Contents: 1 link with attaching hardware.

Description: Break-off link is designed to be used with most jalousie operators to provide many selections for linkage hole patterns; **cadmium plated steel**; adjustment holes at 1/2" spacing.

You may wish to stock these related parts: **17370, 17370-B.**

17360

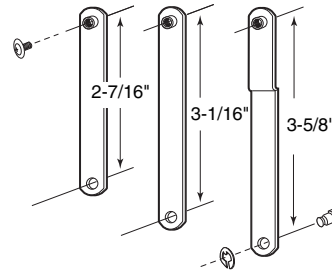


172689

Universal Jalousie Link Assortment

Contents: (1) 2-7/16" link; (1) 3-1/16" link; (1) 3-5/8" link; 1 link stud screw; 1 grooved pin with "E" clip.

Description: Stamped steel links with threaded pivot studs; steel grooved pin with "E" clip for jalousie window linkage.



172689

172627

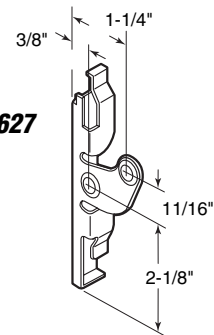
Louver or Jalousie Glass Clip

Contents: 1 left hand clip; 1 right hand clip.

Description: Stamped aluminum construction; fits 4" glass; fits on *International* windows.

You may wish to stock these related parts: **17634-L, 17634-R.**

172627



172629

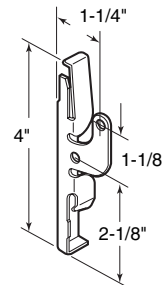
Louver or Jalousie Glass Clip

Contents: 1 left hand clip; 1 right hand clip.

Description: Stamped aluminum construction; fits 4" glass.

You may wish to stock these related parts: **172628-R, 172628-L.**

172629



172630

Louver or Jalousie Clip

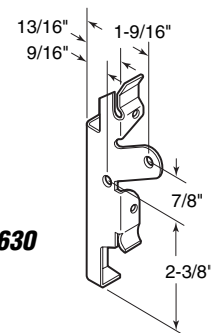
Call for Availability

Contents: 1 left hand clip; 1 right hand clip.

Description: Stamped aluminum construction; fits 3/4" thick wood slats.

You may wish to stock these related parts: **172628-R, 172628-L.**

172630



171944 (For 4" glass)

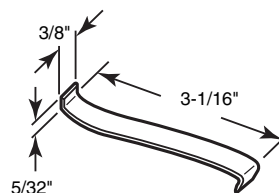
Jalousie Window Security Clip

Contents: 20 clips.

Description: Plated spring steel clips; slip under louver glass clip to secure glass in position; deters easy removal of glass panels; no tools required.

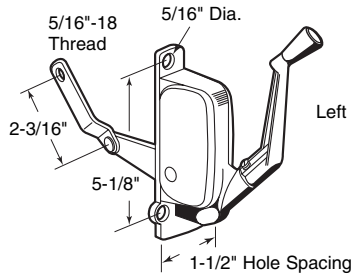
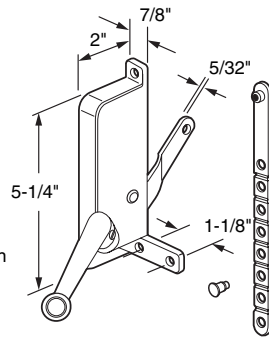
Note: See **17942** in security section for 4-1/2" glass clip.

171944



17330-L
17330-R

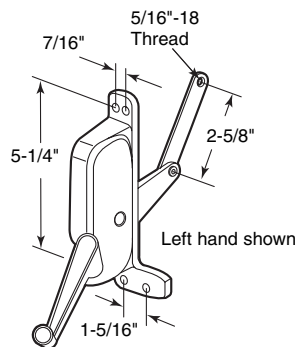
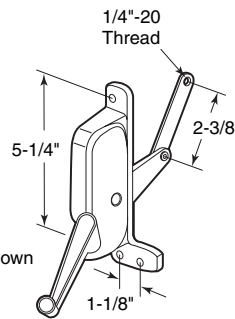
Left hand shown



171776-L
171776-R

171130
171135

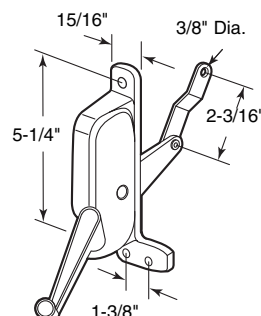
Left hand shown



171779-L
171779-R

171781-L
171781-R

Left hand shown



17330-L (Left hand)
17330-R (Right hand)

Universal Awning Operator (Aluminum)

Contents: 1 operator; 1 universal link; 1 set of installation screws.

Description: Diecast awning window operator with multi-hole link is designed to replace many popular styles; with crank handle.

171776-L (Left hand)
171776-R (Right hand)

"Miami" Awning Operator (Aluminum)

Contents: 1 operator with link and link screw.

Description: Diecast awning window operator for *Miami* windows; case hardened gears; baked-on enamel finish; with crank handle.

171130 (Left hand)
171135 (Right hand)

"Air Control-Keller" Awning Operator (Aluminum)

Contents: 1 operator with link and link screw.

Description: Diecast awning window operator for *Air Control-Keller* windows; case hardened gears; baked-on enamel finish; with crank handle.

171779-L (Left hand)
171779-R (Right hand)

"Pan-American" Awning Operator (Aluminum)

Contents: 1 operator with link and link screw.

Description: Diecast awning window operator for *Pan-American* windows; case hardened gears; baked-on enamel finish; with crank handle.

171781-L (Left hand)
171781-R (Right hand)

"Stanley-C & E" Awning Operator (Aluminum)

Contents: 1 operator with link.

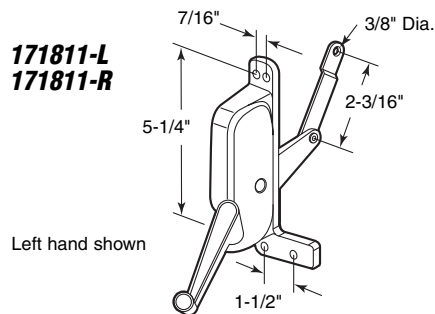
Description: Diecast awning window operator for *Stanley-C & E* windows; case hardened gears; baked-on enamel finish; with crank handle.

171811-L (Left hand)
171811-R (Right hand)

"Stanley" Awning Operator (Aluminum)

Contents: 1 operator with link.

Description: Diecast awning window operator for *Stanley* windows; case hardened gears; baked-on enamel finish; with crank handle.

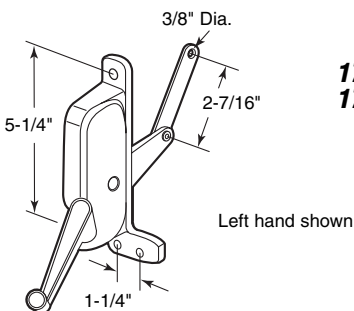


171810-L (Left hand)
171810-R (Right hand)

"A.B.C." Awning Operator (Aluminum)

Contents: 1 operator with link.

Description: Diecast awning window operator for *A.B.C.* windows; case hardened gears; baked-on enamel finish; with crank handle.

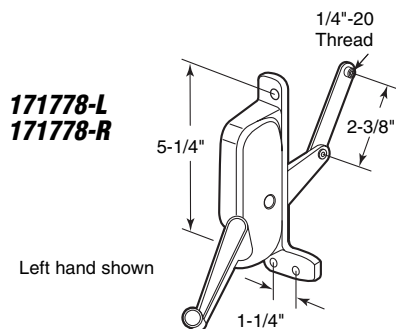


171778-L (Left hand)
171778-R (Right hand)

"Tucker" Awning Operator (Aluminum)

Contents: 1 operator with link.

Description: Diecast awning window operator for *Tucker* windows; case hardened gears; baked-on enamel finish; with crank handle.

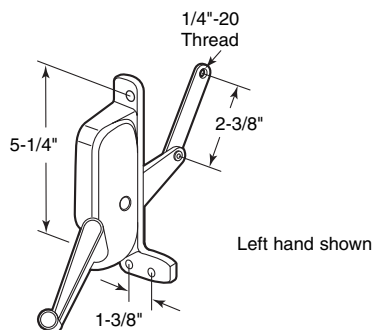


171780-L (Left hand)
171780-R (Right hand)

"Look-Rusco" Awning Operator (Aluminum)

Contents: 1 operator with link and link screw.

Description: Diecast awning window operator for *Look-Rusco* windows; case hardened gears; baked-on enamel finish; with crank handle.

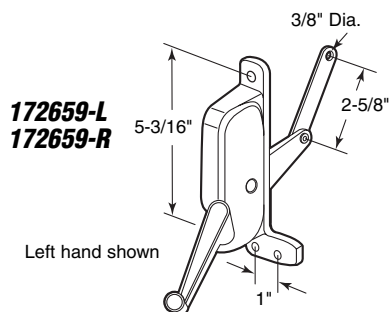


172659-L (Left hand)
172659-R (Right hand)

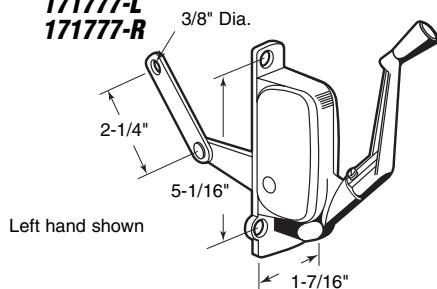
"Nu-Aire" Awning Operator (Aluminum)

Contents: 1 operator with link.

Description: Diecast awning window operator for *Nu-Aire* windows; case hardened gears; baked-on enamel finish; with crank handle.



171777-L
171777-R

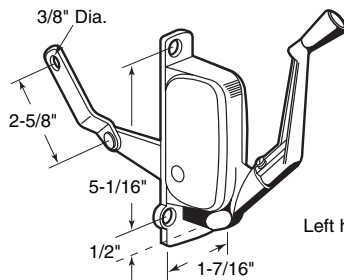


171777-L (Left hand)
171777-R (Right hand)

"Crown" Awning Operator (Aluminum)

Contents: 1 operator with link.

Description: Diecast awning window operator for *Crown* windows; case hardened gears; baked-on enamel finish; with crank handle.



171782-L
171782-R

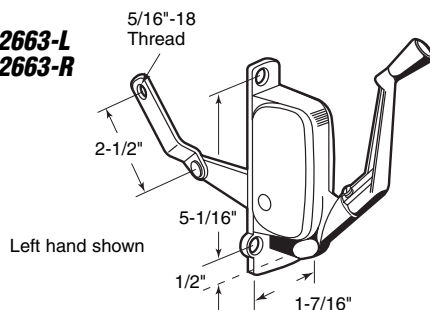
171782-L (Left hand)
171782-R (Right hand)

"Anderson" Awning Operator (Aluminum)

Contents: 1 operator with link.

Description: Diecast awning window operator for *Anderson* windows; case hardened gears; baked-on enamel finish; with crank handle.

172663-L
172663-R

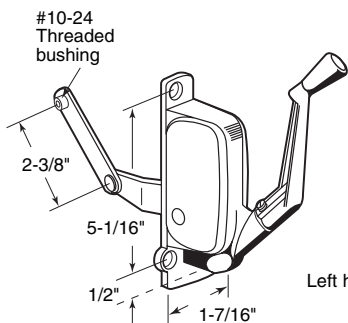


172663-L (Left hand)
172663-R (Right hand)

"Harcar" Awning Operator (Aluminum)

Contents: 1 operator with link and link screw.

Description: Diecast awning window operator for *Harcar* windows; case hardened gears; baked-on enamel finish; with crank handle.



172664-L
172664-R

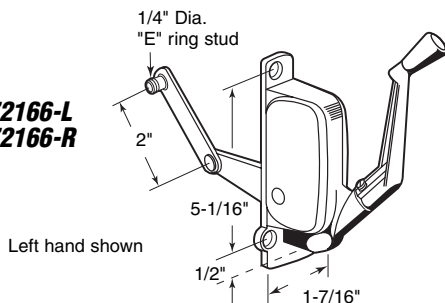
172664-L (Left hand)
172664-R (Right hand)

"Old Tucker" Awning Operator (Aluminum)

Contents: 1 operator with link.

Description: Diecast awning window operator for *Old Tucker* windows; case hardened gears; baked-on enamel finish; with crank handle.

172166-L
172166-R



172166-L (Left hand)
172166-R (Right hand)

"A.B.C." Awning Operator (Aluminum)

Contents: 1 operator with link.

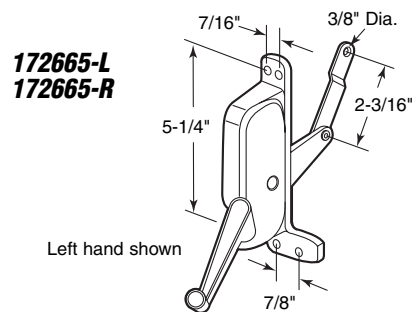
Description: Diecast awning window operator for *A.B.C.* windows; case hardened gears; baked-on enamel finish; with crank handle.

172665-L (Left hand)
172665-R (Right hand)

"Ware" Awning Operator (Aluminum)

Contents: 1 operator with link and link screw.

Description: Diecast awning window operator for *Ware* windows; case hardened gears; baked-on enamel finish; with crank handle.

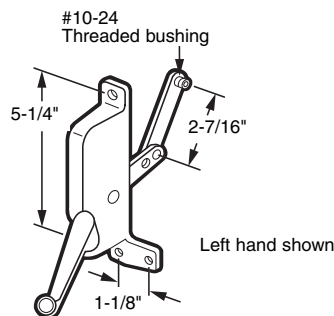


172670-L (Left hand)
172670-R (Right hand)

"T.M." Awning Operator (Aluminum)

Contents: 1 operator with link and link screw.

Description: Diecast awning window operator for *T.M.* windows; case hardened gears; baked-on enamel finish; with crank handle.

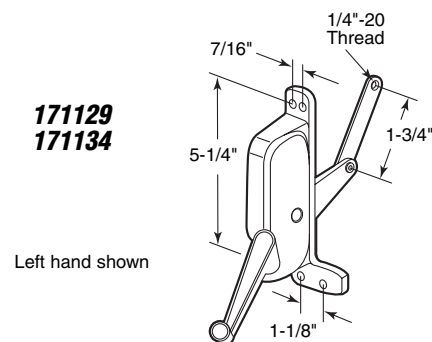


171129 (Left hand)
171134 (Right hand)

"Air Control" Awning Operator (Aluminum)

Contents: 1 operator with link and link screw.

Description: Diecast awning window operator for *Air Control* windows; case hardened gears; baked-on enamel finish; with crank handle.



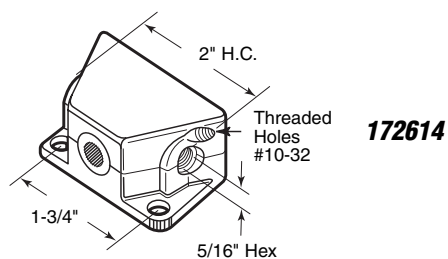
172614

"Stanley" Awning Operator

Contents: 1 operator.

Description: Zinc diecast operator used at the center position on awning windows; 5/16" hex drive; fits on *Stanley*; threaded holes are #10-32.

You may wish to stock these related parts: **172615**, **172616**, **172633**.



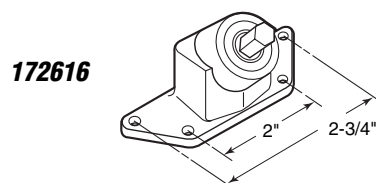
172616

Awning Operator Angle Adaptor

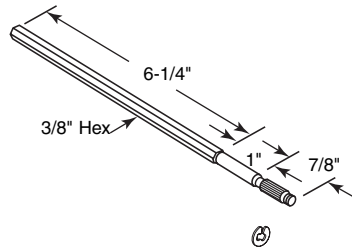
Contents: 1 operator.

Description: Zinc diecast housing; used with **172614** operator to adapt angle of crank handle; 3/8" hex drive at rear of housing, accepts **172633** drive rod.

You may wish to stock these related parts: **172615**, **172616**, **172633**.



172633



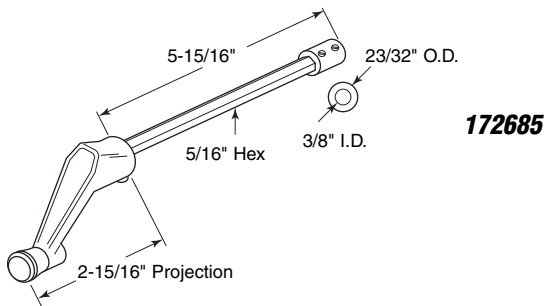
172633

Awning Operator Hex Drive Bar

Contents: 1 drive bar; 1 "E" ring.

Description: Machine steel; 8-1/8" long; 3/8" hex; used with 172614 and 172616 operators.

You may wish to stock these related parts: 172614, 172615, 172616.



172685

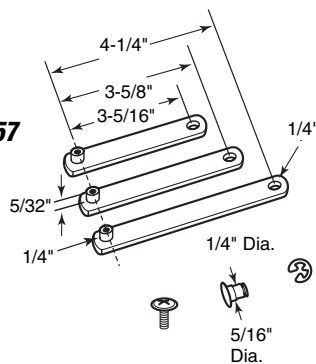
Awning Crank & Extension

Contents: 1 crank; 1 extension; 1 socket.

Description: Zinc diecast crank and socket; extruded aluminum extension; allows for extended operation of most awning operators with a 3/8" spindle.

Call for
Availability

172657

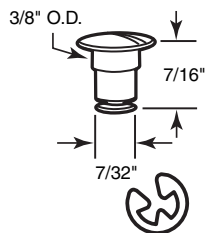


172657

Universal Awning Operator Link Assortment

Contents: (1) 3" link; (1) 3-5/8" link; (1) 4-1/4" link; 1 link stud screw; 1 grooved pin with "E" clip.

Description: Stamped steel links with threaded pivot studs; steel grooved pin with "E" clip; for awning window linkage.



172030

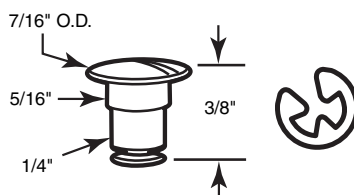
172030

Jalousie & Awning Link Grooved Pin & "E" Clip

Contents: 4 grooved pins; 4 "E" clips.

Description: Aluminum grooved pin with "E" clip is used to connect link end of operator to jalousie or awning window.

171775



171775

Jalousie & Awning Link Grooved Pin & "E" Clip

Contents: 4 grooved pins; 4 "E" clips.

Description: Aluminum grooved pin with "E" clip is used to connect link end of operator to jalousie or awning window.



172105
172106

172105 (3/16")

172106 (1/4")

Jalousie & Awning Link "E" Clip

Contents: 4 "E" clips.

Description: Steel "E" clips as used on 172030 & 171775.

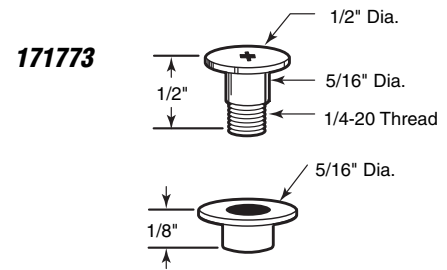
171773

Awning Link Repair Bolt & Bushing

Contents: 4 bolts; 4 bushings.

Description: Zinc-plated steel bolt and nylon bushing; used to repair connection of link end of operator to awning window.

You may wish to stock these related parts: **172030, 171775, 171774, 171780-L, 171780-R.**



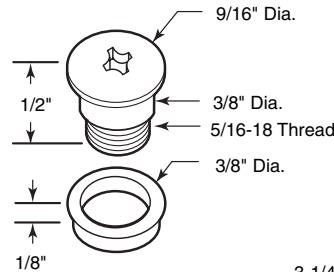
171774

Awning Link Repair Bolt & Bushing

Contents: 4 bolts; 4 bushings.

Description: Diecast bolt and nylon bushing; used to repair connection of link end of operator to awning window.

You may wish to stock these related parts: **172030, 171775, 171773.**



171774

171765 (4-1/2 Pound)

171541 (6 Pound)

171542 (8 Pound)

171543 (10 Pound)

171544 (12 Pound)

171545 (14 Pound)*

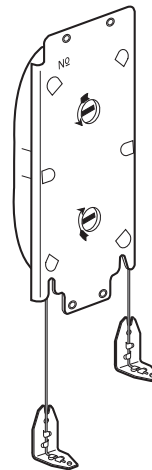
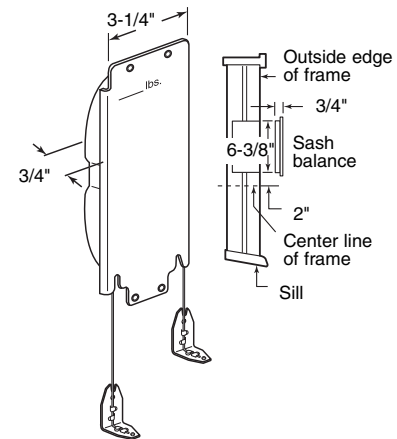
171546 (16 Pound)*

Wood Window Sash Balance

Contents: 1 sash balance with attaching hardware.

Description: All steel construction; coil spring retraction; aircraft cable lifters; fits *Duplex, Superior, Preset* and *Fabco*.

*Call for availability on this item.



172050 (#1)

172051 (#2)

172052 (#4)

172671 (#5)

Call for
Availability

Double Hung Adjustable Sash Balance

Contents: 1 adjustable sash balance with attaching hardware.

Description: All steel construction; coil spring retraction; aircraft cable lifters.

172672-4.5 (4-1/2 Pound)

172672-6 (6 Pound)

172672-8 (8 Pound)

172672-10 (10 Pound)

172672-12 (12 Pound)

172672-14 (14 Pound)

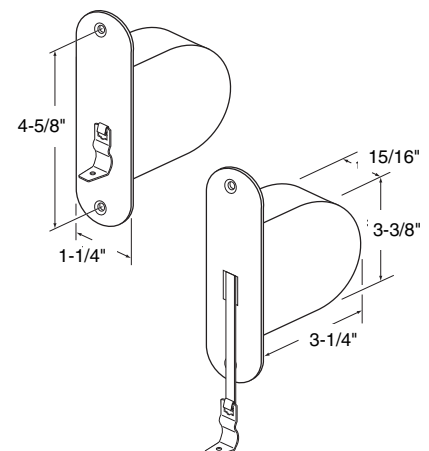
172672-16 (16 Pound)

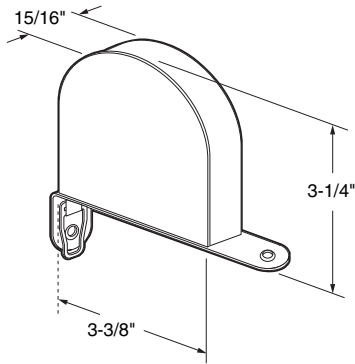
Call for
Availability

Side Mount Sash Balance

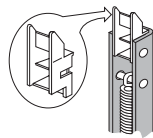
Contents: 2 sash balances with attaching hardware.

Description: All steel construction; coil spring retraction; steel tape lifters.

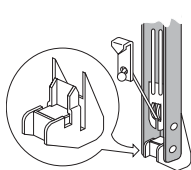




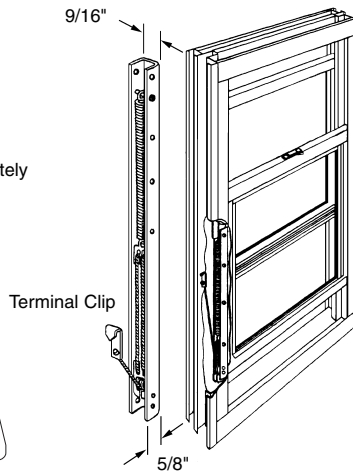
Used On Single Or Double Hung Sash



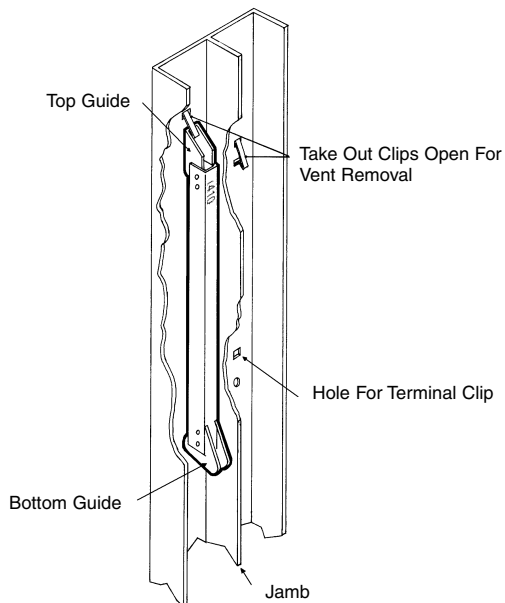
Top guide sold separately



Bottom guide sold separately



Balance Shown Installed In Jamb With Vent Removed



- 172673-4.5** (4-1/2 Pound)
- 172673-6** (6 Pound)
- 172673-8** (8 Pound)
- 172673-10** (10 Pound)
- 172673-12** (12 Pound)
- 172673-14** (14 Pound)
- 172673-16** (16 Pound)

Call for
Availability

Overhead Mount Sash Balance

Contents: 2 sash balances with attaching hardware.

Description: All steel construction; coil spring retraction; steel tape lifters.

5/8" Channel Balances (Block & tackle style)

Selection Chart (All balances sold individually in bulk)

Balance* Number	Alternative Number	Balance Height	Vent Weight
FA-1210	12A	13"	3 - 6
FA-1220	12B	13"	6 - 9
FA-1230	12C	13"	9 - 11
FA-1240	12D	13"	11 - 12
FA-1310	13A	14"	3 - 6
FA-1320	13B	14"	6 - 9
FA-1330	13C	14"	9 - 11
FA-1340	13D	14"	11 - 12
FA-1410	14A	15"	4 - 6
FA-1420	14B	15"	6 - 10
FA-1430	14C	15"	10 - 12
FA-1440	14D	15"	12 - 13
FA-1510	15A	16"	4 - 6
FA-1520	15B	16"	6 - 10
FA-1530	15C	16"	10 - 12
FA-1540	15D	16"	12 - 13
FA-1610	16A	17"	5 - 8
FA-1620	16B	17"	8 - 12
FA-1630	16C	17"	12 - 14
FA-1640	16D	17"	14 - 19
FA-1710	17A	18"	5 - 8
FA-1720	17B	18"	8 - 12
FA-1730	17C	18"	12 - 14
FA-1740	17D	18"	14 - 17
FA-1810	18A	19"	5 - 8
FA-1820	18B	19"	8 - 12
FA-1830	18C	19"	12 - 14
FA-1840	18D	19"	14 - 17
FA-1910	19A	20"	5 - 8
FA-1920	19B	20"	8 - 12
FA-1930	19C	20"	12 - 14
FA-1940	19D	20"	14 - 17
FA-2010	20A	21"	5 - 8
FA-2020	20B	21"	8 - 12
FA-2030	20C	21"	12 - 15
FA-2040	20D	21"	15 - 23
FA-2110	21A	22"	5 - 8
FA-2120	21B	22"	8 - 12
FA-2130	21C	22"	12 - 15
FA-2140	21D	22"	15 - 23

Continued on the following page

*Top and bottom guides are not included.
Please see the following accessory page to determine what guides may be required.

Window Hardware

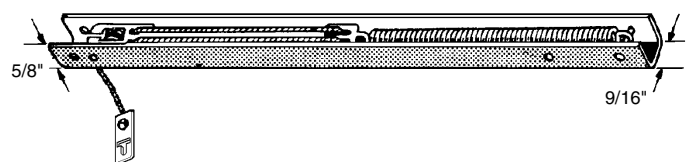
Balance* Number	Alternative Number	Balance Height	Vent Weight
FA-2210	22A	23"	5 - 8
FA-2220	22B	23"	8 - 12
FA-2230	22C	23"	12 - 19
FA-2240	22D	23"	19 - 23
FA-2310	23A	24"	5 - 9
FA-2320	23B	24"	9 - 15
FA-2330	23C	24"	15 - 18
FA-2340	23D	24"	18 - 23
FA-2410	24A	25"	5 - 9
FA-2420	24B	25"	9 - 15
FA-2430	24C	25"	15 - 19
FA-2440	24D	25"	19 - 24
FA-2510	25A	26"	5 - 9
FA-2520	25B	26"	9 - 15
FA-2530	25C	26"	15 - 19
FA-2540	25D	26"	19 - 25
FA-2610	26A	27"	5 - 9
FA-2620	26B	27"	9 - 13
FA-2630	26C	27"	13 - 19
FA-2640	26D	27"	19 - 26
FA-2710	27A	28"	5 - 9
FA-2720	27B	28"	9 - 13
FA-2730	27C	28"	13 - 19
FA-2740	27D	28"	19 - 26
FA-2810	28A	29"	7 - 12
FA-2820	28B	29"	12 - 16
FA-2830	28C	29"	16 - 23
FA-2840	28D	29"	23 - 28
FA-2910	29A	30"	7 - 12
FA-2920	29B	30"	12 - 16
FA-2930	29C	30"	16 - 23
FA-2940	29D	30"	23 - 28
FA-3010	30A	31"	7 - 12
FA-3020	30B	31"	12 - 16
FA-3030	30C	31"	16 - 23
FA-3040	30D	31"	23 - 28
FA-3110	31A	32"	7 - 12
FA-3120	31B	32"	12 - 16
FA-3130	31C	32"	16 - 23
FA-3140	31D	32"	23 - 28

Balance* Number	Alternative Number	Balance Height	Vent Weight
FA-3210	32A	33"	8 - 13
FA-3220	32B	33"	13 - 18
FA-3230	32C	33"	18 - 23
FA-3240	32D	33"	23 - 28
FA-3310	33A	34"	8 - 13
FA-3320	33B	34"	13 - 18
FA-3330	33C	34"	18 - 23
FA-3340	33D	34"	23 - 28
FA-3410	34A	35"	8 - 13
FA-3420	34B	35"	13 - 18
FA-3430	34C	35"	18 - 23
FA-3440	34D	35"	23 - 30
FA-3510	35A	36"	8 - 13
FA-3520	35B	36"	13 - 18
FA-3530	35C	36"	18 - 23
FA-3540	35D	36"	23 - 30
FA-3610	36A	37"	8 - 13
FA-3620	36B	37"	13 - 18
FA-3630	36C	37"	18 - 23
FA-3640	36D	37"	23 - 30
FA-3710	37A	38"	8 - 13
FA-3720	37B	38"	13 - 18
FA-3730	37C	38"	18 - 23
FA-3740	37D	38"	23 - 30
FA-3810	38A	39"	9 - 14
FA-3820	38B	39"	14 - 19
FA-3830	38C	39"	19 - 24
FA-3840	38D	39"	24 - 30
FA-3910	39A	40"	9 - 14
FA-3920	39B	40"	14 - 19
FA-3930	39C	40"	19 - 24
FA-3940	39D	40"	24 - 30
FA-4010	40A	41"	9 - 14
FA-4020	40B	41"	14 - 19
FA-4030	40C	41"	19 - 23
FA-4040	40D	41"	23 - 30
FA-4110	41A	42"	9 - 14
FA-4120	41B	42"	14 - 19
FA-4130	41C	42"	19 - 24
FA-4140	41D	42"	24 - 30
FA-4210	42A	43"	9 - 14
FA-4220	42B	43"	14 - 19
FA-4230	42C	43"	19 - 24
FA-4240	42D	43"	24 - 30

***Top and bottom guides are not included.**
Please see the following accessory page to determine what guides may be required.

Channel Window Balances (Overhead)

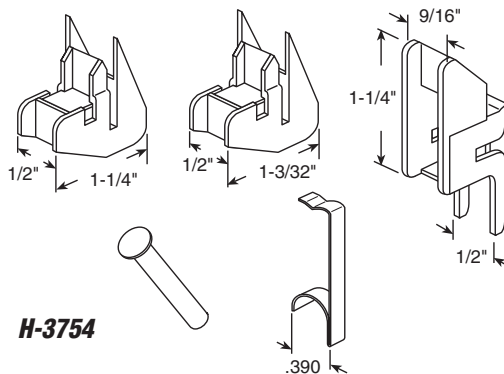
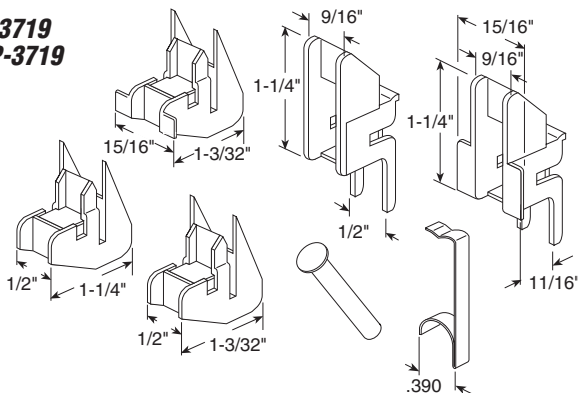
Balance Number	Balance Length	Vent Weight
FC-111	12-3/4"	4 - 7
FC-112	12-3/4"	7 - 11
FC-121	15-1/4"	4 - 8
FC-122	15-1/4"	8 - 12
FC-151	19-1/4"	5 - 9
FC-152	19-1/4"	9 - 13
FC-153	19-1/4"	13 - 16
FC-162	23-1/4"	9 - 14
FC-163	23-1/4"	14 - 20
FC-183	27-1/4"	17 - 22



Ordering Tips:

- Check the back side of channel for stamped numbers (i.e.; 1410, 28A, 3620, etc.).
 - The first two digits indicate the actual glass height
 - The balance is **1" longer** than the part number indicates (i.e.; #1410 is 15" long).
 - The second two digits or letter designation (A, B, C, D) denote the weight series of the balance (i.e.; #1410 or 14A is for light weight sash, 1420 or 14B is medium, 1430 or 14C is medium to heavy and 1440 or 14D is heavy. Please see the enclosed Selection Chart for actual weight variations.
- The balance number, by itself, does not include top or bottom guides.
 - Determine the correct guides required from pages 17-28 & 17-29. You may use the existing guides from the defective balance, however, this will require drilling out the attaching rivets.
 - New guides may be ordered by the set (1 top and 1 bottom per bag, includes 2 rivets & 1 take-out clip) or in bulk (50 pack of each item, includes 50 rivets). You may also buy a universal kit (**EP-3719**) which includes an assortment (2 top guides, 3 bottom guides, 2 rivets and 1 take-out clip).
 - We will attach the top and bottom guides of your choice, to the balance, on minimum orders of 10 or more (See pages 17-28 & 17-29 for **installed part numbers**).
- A rivet set tool (**EP-3740**) is available to expedite installation of guides to balance.

H-3719 EP-3719



H-3754

Installation Hints:

(Vents must be removed in order to replace the balance assemblies).

To remove vent: Close vent to expose take-out clips. Open both clips for vent removal. Raise vent until top guide engages take-out clip. Continue to raise vent, 2 to 3 inches more. Move vent right or left as far as possible. Removal is then accomplished by swinging the opposite side of vent inward.

To replace balance assembly: Push down on balance until top guide is clear of take-out clip. Hold firmly and slowly lift up and away from jamb. Remove terminal clip and install new balance assembly using the reverse installation procedure. Be sure that top guide is secured under take-out clip. It is recommended that both balance assemblies be replaced in order to allow for efficient operation.

To replace vent: Position right or left side of vent into jamb, 2 to 3 inches above take-out clip and swing opposite side into alignment with frame. Then lower vent to engage balances and on down to clear take-out clips. This will automatically center the vent. Snap take-out clips into jamb to facilitate normal operation.

H-3719 (Carded) EP-3719 (Bagged)

Repair Kit (For 5/8" channel balance)

Contents: 2 top guides; 3 bottom guides; 2 rivets; 1 take-out clip.

Description: An assortment of the most frequently used nylon top and bottom guides; including aluminum rivets for assembly and take-out clip for window sash removal.

H-3754 (Carded)

Repair Kit (For 5/8" channel balance)

Contents: 2 top guides; 2 bottom guides (1-3/32"); 2 bottom guides (1-1/4"); 4 rivets; 2 take-out clips.

Description: A mini-assortment of glass filled nylon top and bottom guides; will repair (2) 5/8" channel balances; a very popular assortment.

Repair Kit (For 5/8" channel balance)

H-3929 (Carded)

Contents: 2 top guides; 2 bottom guides; 4 rivets; 2 take-out clips.

FS-290B (Bagged)

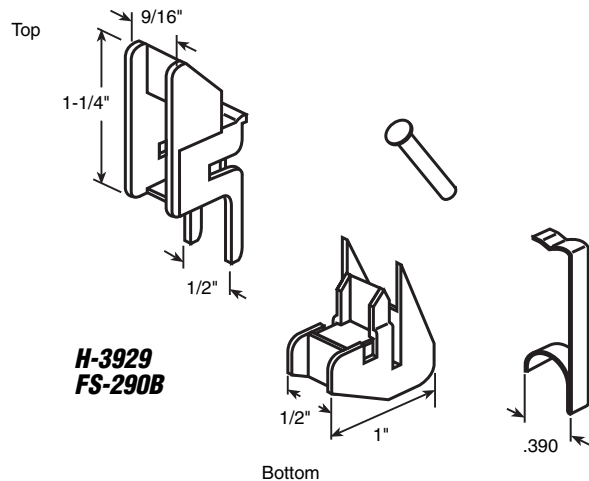
Contents: 1 top guide; 1 bottom guide; 2 rivets; 1 take-out clip.

Description: Commonly used **glass filled nylon** guides, but not necessarily universally applied to all 5/8" channel balances.

Bulk: FS-100PB (Top only - 50/bag)
FS-150PB (Bottom only - 50/bag)

Individually installed: FS-100** (Top)
FS-150** (Bottom)

** = Installed to balance of your choice (no minimum order).



Repair Kit (For 5/8" channel balance)

H-3706 (Carded)

Contents: 2 top guides; 2 bottom guides; 4 rivets; 2 take-out clips.

FS-291B (Bagged)

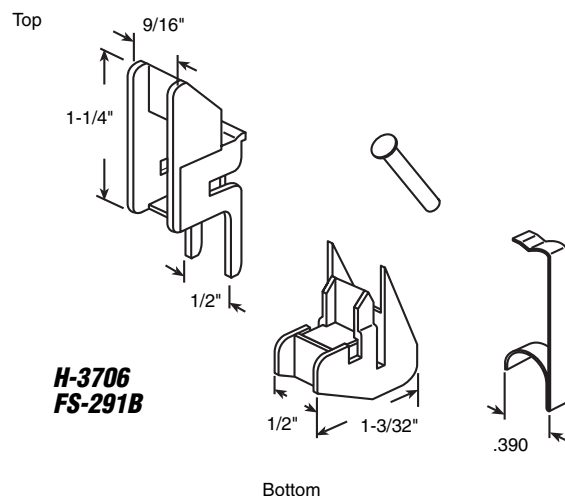
Contents: 1 top guide; 1 bottom guide; 2 rivets; 1 take-out clip.

Description: Commonly used **glass filled nylon** guides, but not necessarily universally applied to all 5/8" channel balances.

Bulk: FS-100PB (Top only - 50/bag)
FS-151PB (Bottom only - 50/bag)

Individually installed: FS-100** (Top)
FS-151** (Bottom)

** = Installed to balance of your choice (no minimum order).



Repair Kit (For 5/8" channel balance)

H-3930 (Carded)

Contents: 2 top guides; 2 bottom guides; 4 rivets; 2 take-out clips.

FS-292B (Bagged)

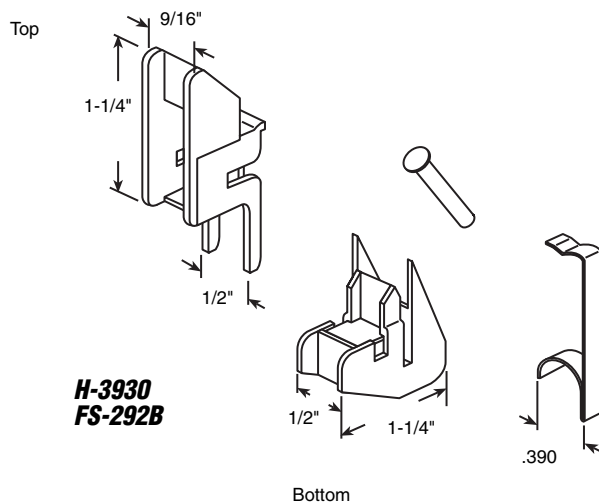
Contents: 1 top guide; 1 bottom guide; 2 rivets; 1 take-out clip.

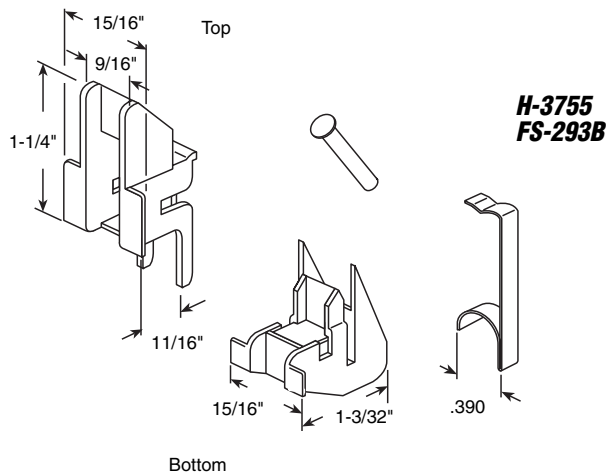
Description: Commonly used **glass filled nylon** guides, but not necessarily universally applied to all 5/8" channel balances.

Bulk: FS-100PB (Top only - 50/bag)
FS-152PB (Bottom only - 50/bag)

Individually installed: FS-100** (Top)
FS-152** (Bottom)

** = Installed to balance of your choice (no minimum order).





Repair Kit (For 5/8" channel balance)

H-3755 (Carded)

Contents: 2 top guide; 2 bottom guides; 4 rivets; 2 take-out clips.

FS-293B (Bagged)

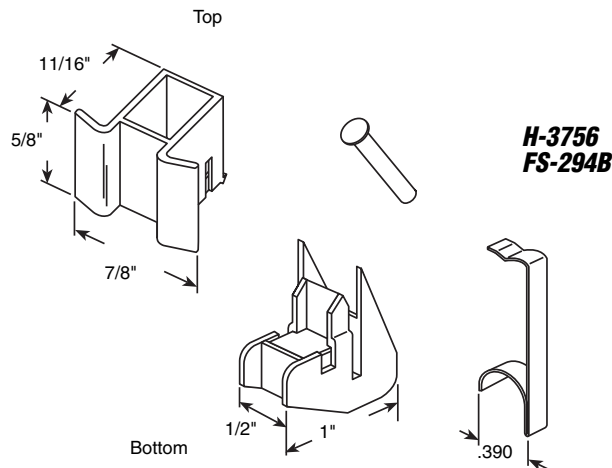
Contents: 1 top guide; 1 bottom guide; 2 rivets; 1 take-out clip.

Description: Commonly used **glass filled nylon** guides; used by many manufacturers on their 5/8" channel balances.

Bulk: FS-101PB (Top only - 50/bag)
FS-153PB (Bottom only - 50/bag)

Individually installed: FS-101** (Top)
FS-153** (Bottom)

** = Installed to balance of your choice (no minimum order).



Repair Kit (For 5/8" channel balance)

H-3756 (Carded)

Contents: 2 top guides; 2 bottom guides; 4 rivets; 2 take-out clips.

FS-294B (Bagged)

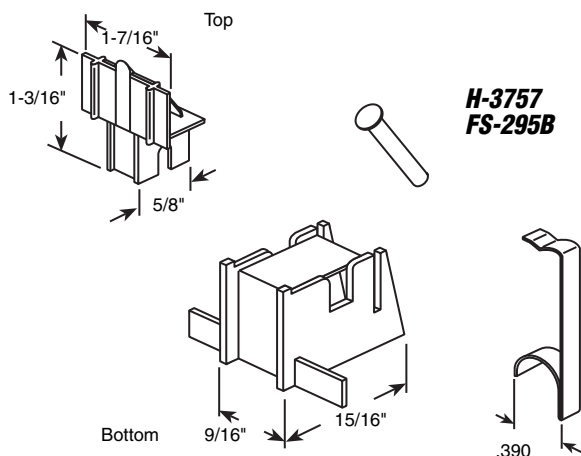
Contents: 1 top guide; 1 bottom guide; 2 rivets; 1 take-out clip.

Description: Commonly used **glass filled nylon** guides; used by many manufacturers on their 5/8" channel balances.

Bulk: FS-102PB (Top only - 50/bag)
FS-150PB (Bottom only - 50/bag)

Individually installed: FS-102** (Top)
FS-150** (Bottom)

** = Installed to balance of your choice (no minimum order).



Repair Kit (For 5/8" channel balance)

H-3757 (Carded)

Contents: 2 top guides; 2 bottom guides; 4 rivets; 2 take-out clips.

FS-295B (Bagged)

Contents: 1 top guide; 1 bottom guide; 2 rivets; 1 take-out clip.

Description: Commonly used **glass filled nylon** guides; used by many manufacturers on their 5/8" channel balances.

Bulk: FS-103PB (Top only - 50/bag)
FS-154PB (Bottom only - 50/bag)

Individually installed: FS-103** (Top)
FS-154** (Bottom)

** = Installed to balance of your choice (no minimum order).

H-3837 (2/card)
EP-3837 (25/bag)

Sash Cam

Contents: Sash cams.

Description: Nylon cams attach to top edge of vent and provides for proper operating clearance.

H-3838 (2/card)
EP-3838 (25/bag)

Sash Cam

Contents: Sash cams.

Description: Nylon cams attach to top edge of vent and provides for proper operating clearance.

H-3898 (2/card)
EP-3898 (25/bag)

Sash Cam

Contents: Sash cams.

Description: Nylon cams attach to top edge of vent and provides for proper operating clearance.

H-3917 (2/card)
EP-3917 (25/bag)

Sash Cam

Contents: Sash cams.

Description: Nylon cams attach to top edge of vent and provides for proper operating clearance.

H-3918 (2/card)
EP-3918 (25/bag)

Sash Cam

Contents: Sash cams.

Description: Nylon cams attach to top edge of vent and provides for proper operating clearance.

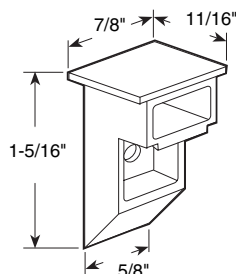
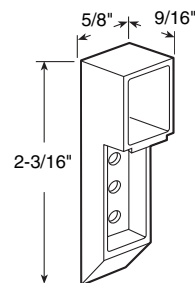
H-3904 (2/card)
EP-3904 (25/bag)

Lift Hook

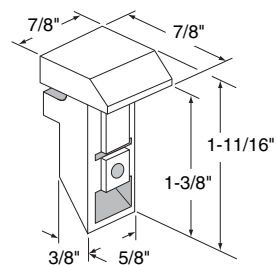
Contents: Lift hooks.

Description: Black nylon hooks; fits on *International* on single hung, overhead window balances; attaches balance cord to sash.

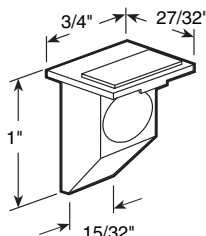
H-3837
EP-3837



H-3838
EP-3838

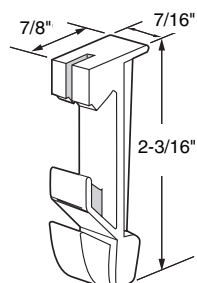
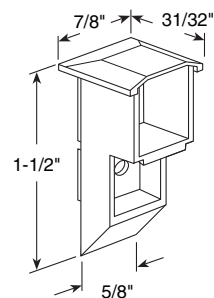


H-3898
EP-3898



H-3917
EP-3917

H-3918
EP-3918



H-3904
EP-3904

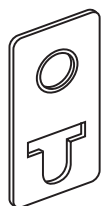


FS-250B (100/bag)

Terminal Clips

Contents: 100 terminal clips.

Description: Used by many manufacturers to attach balance cord to window frame.

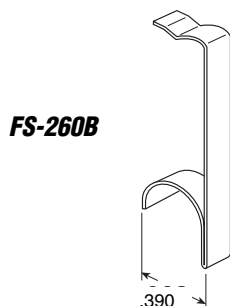


FS-253B (100/bag)

Terminal Clip (For overhead 5/8" channel balance)

Contents: 100 terminal clips.

Description: Stamped steel clip attaches to end of cord and is then secured to top of window sash; used on overhead channel balances.



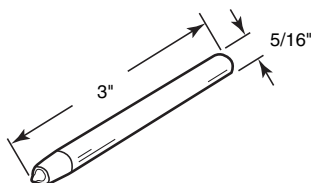
FS-260B (100/bag)

Take-Out Clip

Contents: 100 take-out clips.

Description: Spring steel clips used on block and tackle type sash balances.

You may wish to stock these related parts: **H-3720 thru H-3729.**

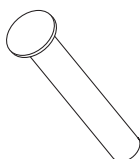


EP-3740

Rivet Installation Tool

Contents: 1 tool per bag.

Description: Steel tool with hardened steel rivet setting tip; used to set rivets when installing guides to channel balances.

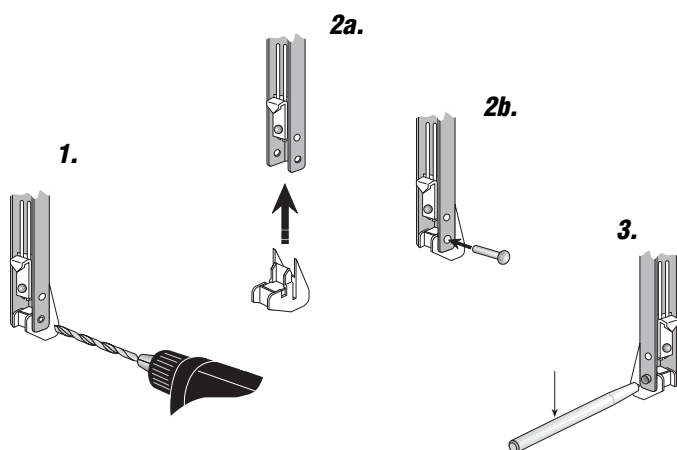


FS-261B

Rivets

Contents: 1000 rivets per bag.

Description: Aluminum, hollow-tip rivets are used to install guides to channel balances.



Channel Balance Accessories Easy Replacement Guide

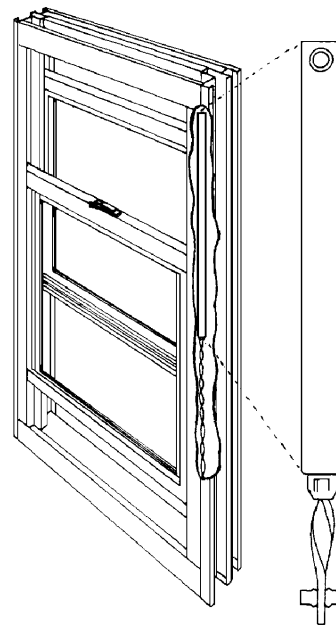
1. Drill out existing rivet using 3/32" bit (drill thru crimped side of rivet).
2. Slide new self locating guide (top or bottom) on to appropriate end of balance. Align holes and insert rivet thru the drilled out hole in balance.
3. Place balance on solid surface with rivet head down. Locate pointed end of rivet installation tool in open end of rivet. Tap end of tool firmly with hammer to crimp rivet.

Spiral Window Balances

HOW TO ORDER:

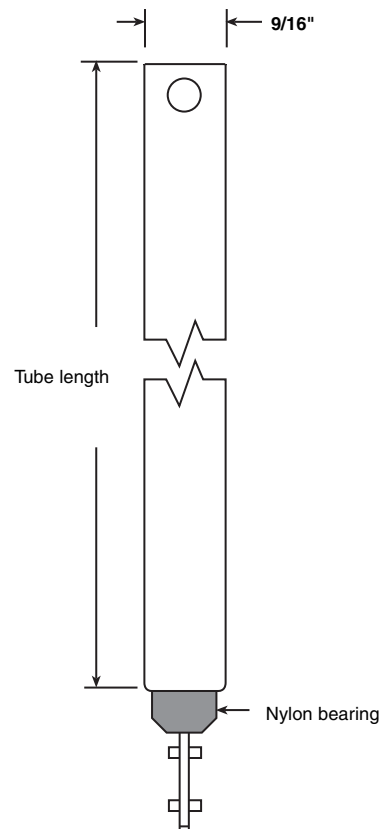
1. Determine series designation.
2. Measure tube length.
3. Specify nylon bearing color to indicate spring weight: (white-standard, red-medium, blue or black-heavy).
4. **These balances are all metal tube.**
5. All balances are sold individually in bulk.

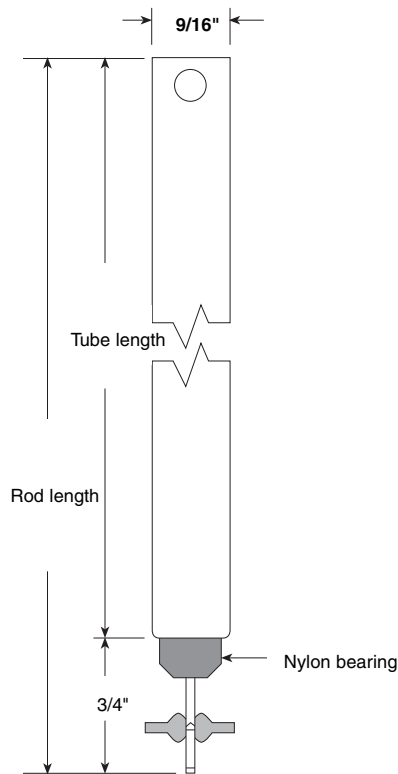
- Great new category of replacement items.
- Customer demand is growing steadily.
- Special order or stock your region's specific needs.



Spiral Window Balance (9/16" Dia.) Series FH (Tilt)

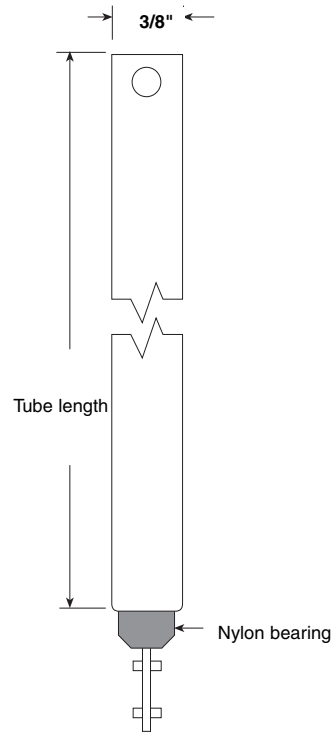
Tube Length	Bearing Color		
	White	Red	Blue
15"	FH-1510	FH-1520	FH-1530
16"	FH-1610	FH-1620	FH-1630
17"	FH-1710	FH-1720	FH-1730
18"	FH-1810	FH-1820	FH-1830
19"	FH-1910	FH-1920	FH-1930
20"	FH-2010	FH-2020	FH-2030
21"	FH-2110	FH-2120	FH-2130
22"	—	FH-2220	FH-2230
23"	—	FH-2320	FH-2330
24"	—	FH-2420	FH-2430
25"	—	FH-2520	FH-2530
26"	—	FH-2620	FH-2630
27"	—	FH-2720	FH-2730
28"	—	FH-2820	FH-2830
29"	—	FH-2920	FH-2930
30"	—	FH-3020	FH-3030
31"	—	FH-3120	FH-3130
32"	—	FH-3220	FH-3230
33"	—	FH-3320	—
34"	—	FH-3420	—
35"	—	FH-3520	—
36"	—	FH-3620	—
37"	—	FH-3720	—
38"	—	FH-3820	—
39"	—	FH-3920	—





Spiral Window Balance (9/16" Dia.) Series FJ (Non-tilt)

Tube Length	Bearing Color	
	Red	Blue
15"	FJ-1520	FJ-1530
16"	FJ-1620	FJ-1630
17"	FJ-1720	FJ-1730
18"	FJ-1820	FJ-1830
19"	FJ-1920	FJ-1930
20"	FJ-2020	FJ-2030
21"	FJ-2120	FJ-2130
22"	FJ-2220	FJ-2230
23"	FJ-2320	FJ-2330
24"	FJ-2420	FJ-2430
25"	FJ-2520	FJ-2530
26"	FJ-2620	FJ-2630
27"	FJ-2720	FJ-2730
28"	FJ-2820	FJ-2830
29"	FJ-2920	FJ-2930
30"	FJ-3020	FJ-3030
31"	FJ-3120	FJ-3130
32"	FJ-3220	FJ-3230
33"	FJ-3320	—
34"	FJ-3420	—
35"	FJ-3520	—
36"	FJ-3620	—
37"	FJ-3720	—
38"	FJ-3820	—
39"	FJ-3920	—



Spiral Window Balance (3/8" Dia.) Series FL (Tilt)

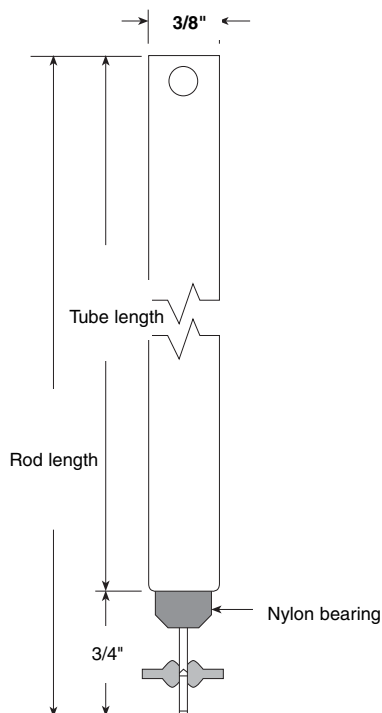
Tube Length	Bearing Color Red
18"	FL-1820
19"	FL-1920
20"	FL-2020
21"	FL-2120
22"	FL-2220
23"	FL-2320
24"	FL-2420
25"	FL-2520
26"	FL-2620
27"	FL-2720
28"	FL-2820
29"	FL-2920
30"	FL-3020

Window Hardware

Spiral Window Balance (3/8" Dia.) Series FM (Non-tilt)

Tube Length **Bearing Color**
Red

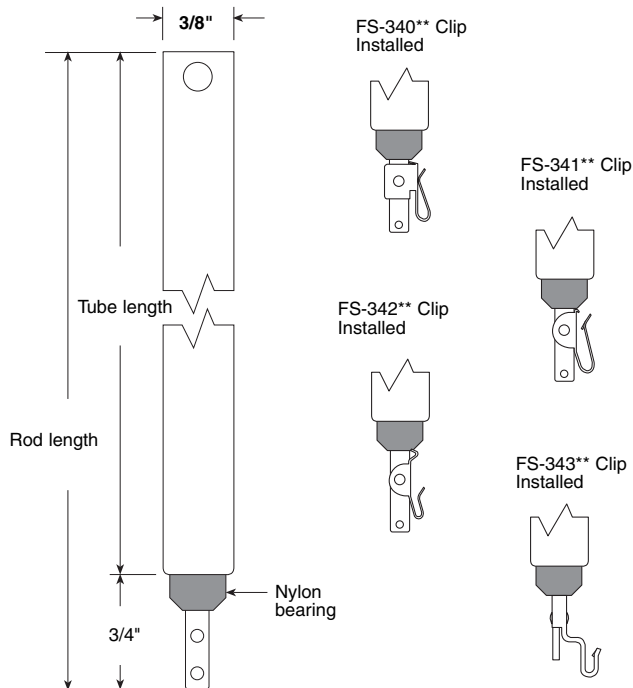
18"	FM-1820
19"	FM-1920
20"	FM-2020
21"	FM-2120
22"	FM-2220
23"	FM-2320
24"	FM-2420
25"	FM-2520
26"	FM-2620
27"	FM-2720
28"	FM-2820
29"	FM-2920
30"	FM-3020

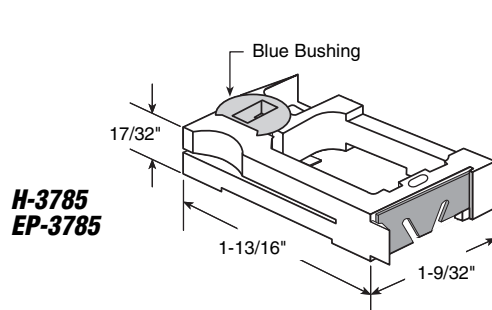
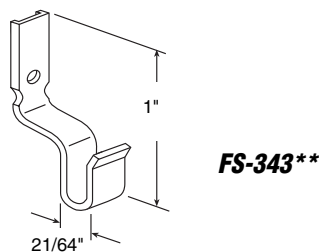
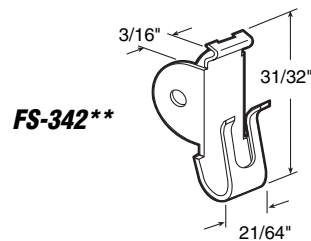
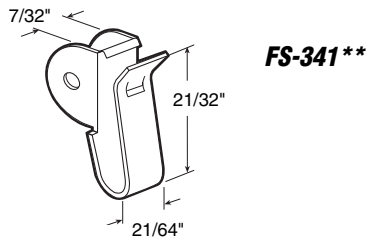
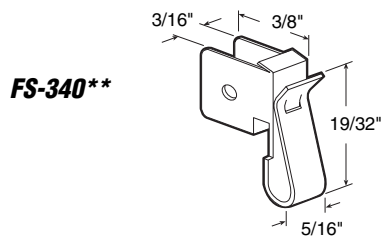


Spiral Window Balance (3/8" Dia.) Series FR (Non-tilt - with clip installed)

Bearing Color - Red

Tube Length	Bearing Color - Red			
	Clip FS-340**	Clip FS-341**	Clip FS-342**	Clip FS-343**
18"	FR-1820-340	FR-1820-341	FR-1820-342	FR-1820-343
19"	FR-1920-340	FR-1920-341	FR-1920-342	FR-1920-343
20"	FR-2020-340	FR-2020-341	FR-2020-342	FR-2020-343
21"	FR-2120-340	FR-2120-341	FR-2120-342	FR-2120-343
22"	FR-2220-340	FR-2220-341	FR-2220-342	FR-2220-343
23"	FR-2320-340	FR-2320-341	FR-2320-342	FR-2320-343
24"	FR-2420-340	FR-2420-341	FR-2420-342	FR-2420-343
25"	FR-2520-340	FR-2520-341	FR-2520-342	FR-2520-343
26"	FR-2620-340	FR-2620-341	FR-2620-342	FR-2620-343
27"	FR-2720-340	FR-2720-341	FR-2720-342	FR-2720-343
28"	FR-2820-340	FR-2820-341	FR-2820-342	FR-2820-343
29"	FR-2920-340	FR-2920-341	FR-2920-342	FR-2920-343
30"	FR-3020-340	FR-3020-341	FR-3020-342	FR-3020-343





FS-340**

Clip (For 3/8" spiral balance)

Contents: Individually installed to Series FR spiral balance of your choice.

Description: Stamped steel clips are required to attach spiral balance to window sash.

** = Installed to balance of your choice (no minimum order).

FS-341**

Clip (For 3/8" spiral balance)

Contents: Individually installed to Series FR spiral balance of your choice.

Description: Stamped steel clips are required to attach spiral balance to window sash.

** = Installed to balance of your choice (no minimum order).

FS-342**

Clip (For 3/8" spiral balance)

Contents: Individually installed to Series FR spiral balance of your choice.

Description: Stamped steel clips are required to attach spiral balance to window sash.

** = Installed to balance of your choice (no minimum order).

FS-343**

Clip (For 3/8" spiral balance)

Contents: Individually installed to Series FR spiral balance of your choice.

Description: Stamped steel clips are required to attach spiral balance to window sash.

** = Installed to balance of your choice (no minimum order).

H-3785 (2/card)

EP-3785 (4/bag)

Pivot Lock Shoe

Contents: Lock shoes.

Description: Nylon shoes with blue bushing; fits on Caldwell 5/8" spiral balances on tilt style systems.

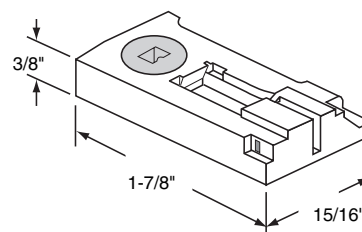
H-3786 (2/card)
EP-3786 (4/bag)

Pivot Lock Shoe

Contents: Lock shoes.

Description: Nylon shoes; used on $3/8$ " spiral balances on tilt style systems.

H-3786
EP-3786

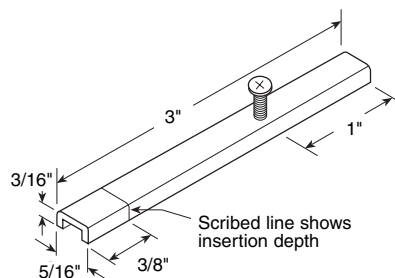


H-3758 (2/card)
EP-3758 (25/bag)

Pivot Bar

Contents: Pivot bars with screws.

Description: Stamped steel pivot bar used with $5/8$ " spiral balances on tilt style systems.



H-3758
EP-3758

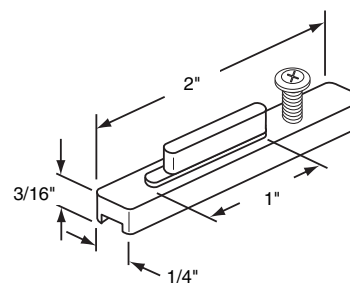
H-3897 (2/card)
EP-3897 (25/bag)

Pivot Bar

Contents: Pivot bars.

Description: Zinc diecast pivot bar used with $3/8$ " spiral balances on tilt style systems.

H-3897
EP-3897

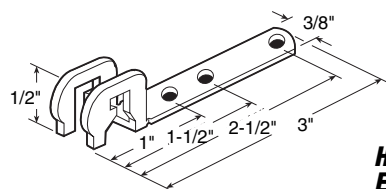


H-3759 (2/card)
EP-3759 (25/bag)

Balance Foot

Contents: Balance feet.

Description: Stamped steel foot as used to attach $5/8$ " spiral balances to bottom of non-tilt sash.



H-3759
EP-3759

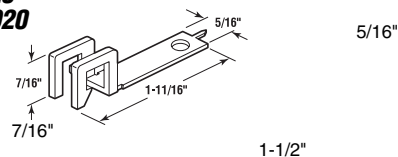
H-3920 (2/card)
EP-3920 (25/bag)

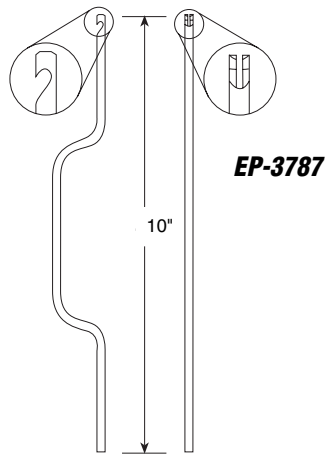
Balance Foot

Contents: Balance feet.

Description: Stamped steel foot as used to attach $3/8$ " spiral balances to bottom of non-tilt sash.

H-3920
EP-3920





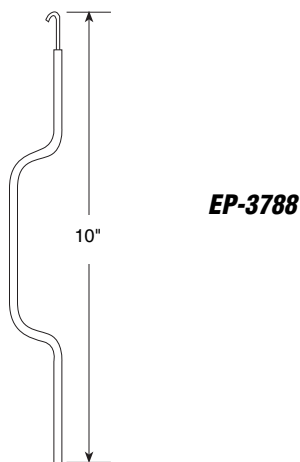
EP-3787

EP-3787

Tension Tool (For tilt balance)

Contents: 1 tool per bag.

Description: Plated steel tool used to crank necessary balance spring tension when installing new balance on **tilt type systems**.



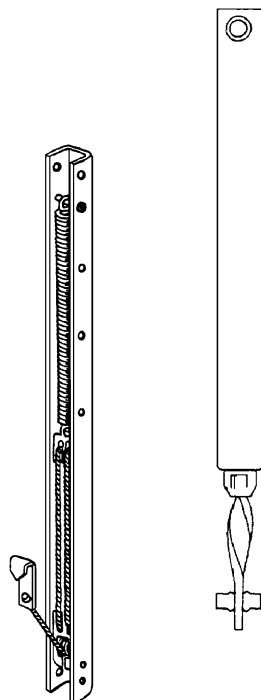
EP-3788

EP-3788

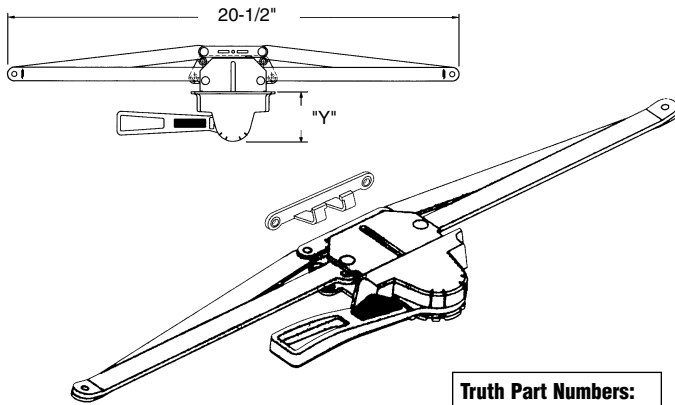
Tension Tool (For non-tilt balance)

Contents: 1 tool per bag.

Description: Plated steel tool used to crank necessary balance spring tension when installing new balance on **non-tilt type systems**.

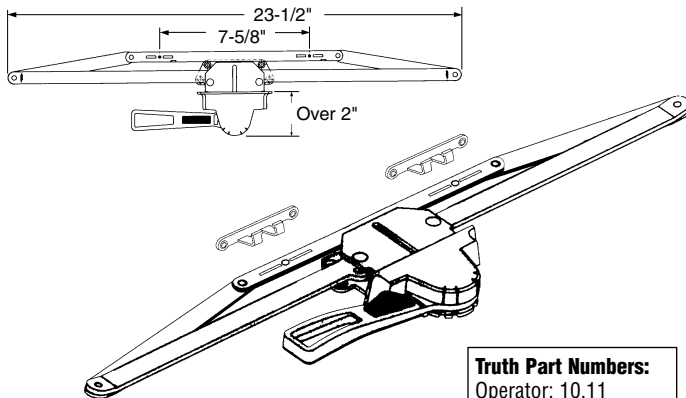


Channel and Spiral balances are available in many different configurations. We stock a large array of the most popular balances, however, you may come up with a special requirement. Don't hesitate to contact us for those special needs.



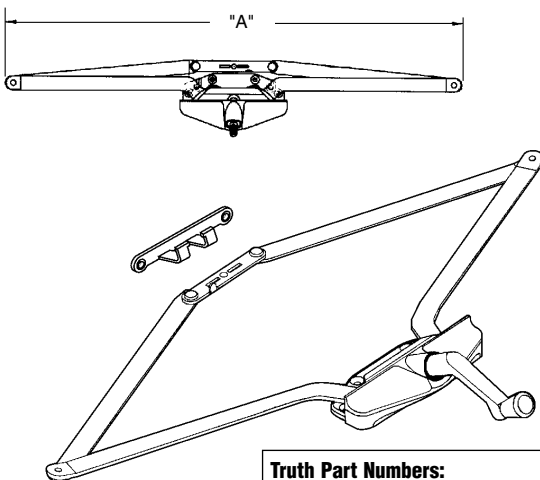
Truth Part Numbers:
Operator: 10.10
Hook: 20008

Regular handing: When viewed from the inside, a regular handle will be pointed to the left when window is in the closed position.



Truth Part Numbers:
Operator: 10.11
Hook: 20008

Regular handing: When viewed from the inside, a regular handle will be pointed to the left when window is in the closed position.



Truth Part Numbers:
Operator: 11.10 (21-1/2"); 11.12 (16-1/8")
Handle: 10579
Hook: 20008

Single Pull Lever Operator

Contents: 1 operator; 1 hook and 1 set of installation screws.

Dimension "Y"	Finish	Part No.
Under 2"	Bronze	TH-23070
Over 2"	Bronze	TH-23069
Under 2"	Gold	TH-23072
Over 2"	Gold	TH-23071

Description: High pressure diecast zinc case and lever handle has baked enamel finish; steel base plate, sash hook and lever arms; steel components are protected with the **corrosive resistant E-Gard™** coating process; used on **awning windows** by many manufacturers; holds window open in any of five positions; features a simple release clip for quick sash detachment.

- Use with EP-23065, EP-23066, EP-23067 or EP-23068 awning window hinges.

TH-23097 (Bronze)

Dual Pull Lever Operator

Contents: 1 operator; 2 hooks; 1 set of installation screws.

Description: High pressure diecast zinc case and lever handle has baked enamel finish; steel base plate, sash hook and lever arms; steel components are protected with the **corrosive resistant E-Gard™** coating process; used on **awning windows** by many manufacturers; holds window open in any of five positions; features a simple release clip for quick sash detachment; this model is particularly effective, and offers improved stability, on wide sash windows when in the open position.

- Use with EP-23065, EP-23066, EP-23067 or EP-23068 awning window hinges.

Roto Gear Operator

Contents: 1 operator; 1 hook and 1 set of installation screws.

Dimension "A"	Finish	Part No.
16-1/8"	Bronze	TH-23011
16-1/8"	Coppertone	TH-23012
16-1/8"	White	TH-23013
21-1/2"	Bronze	TH-23008
21-1/2"	Coppertone	TH-23009
21-1/2"	Gold	TH-23073
21-1/2"	White	TH-23010

Description: High pressure diecast zinc case and crank handle has baked enamel finish; hardened steel worm drive and gear arms; a simple detach feature disengages the operator from the sash for quick window removal.

Truth Hardware (Casement & Awning Window)

TH-23076 (Left hand)
TH-23077 (Right hand)

"Entrygard" Dual Arm Operator (Mechanism only)

Contents: 1 operator; 1 stud bracket; 1 set of installation screws.

Description: High pressure **diecast zinc** operator base; **steel** arms and stud bracket; **hardened steel** worm drive and gears; all raw metal parts are protected with the **corrosive resistant E-Gard™** coating process; patented dual arm action pushes the sash open while pulling the hinge side of sash to the open position; offers almost effortless operation.

- Use **EP-22397** for replacement track.

TH-23078 (Left hand)
TH-23079 (Right hand)

"Entrygard" Dyad Operator (Mechanism only)

Contents: 1 operator; 1 stud bracket; 1 set of installation screws.

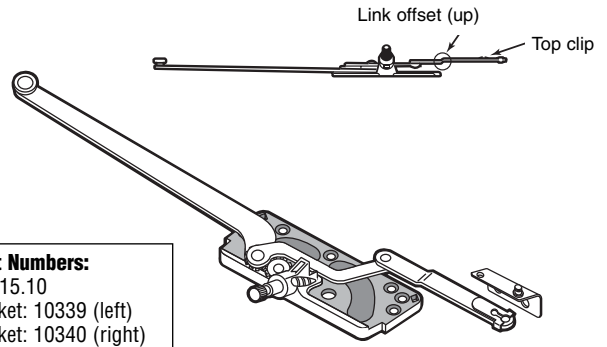
Description: High pressure **diecast zinc** operator base; **steel** arms and stud bracket; **hardened steel** worm drive and gears; all raw metal parts are protected with the **corrosive resistant E-Gard™** coating process; designed for narrow style windows (minimum of 11" between the stops); offers excellent low torque operation.

Single Arm Operator (Surface mount)

Contents: 1 operator; 1 handle and 1 set of installation screws.

Arm	Handing	Finish	Part No.
9-1/2"	Left	Bronze	TH-23020
		Coppertone	TH-23021
		White	TH-23022
		Gold	TH-23061
9-1/2"	Right	Bronze	TH-23023
		Coppertone	TH-23024
		White	TH-23025
		Gold	TH-23062
13-1/2"	Left	Bronze	TH-23026
		Coppertone	TH-23027
		White	TH-23028
		Gold	TH-23063
13-1/2"	Right	Bronze	TH-23029
		Coppertone	TH-23030
		White	TH-23031
		Gold	TH-23064

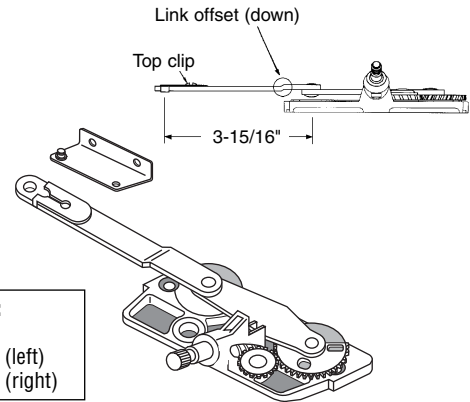
Description: High pressure **diecast zinc** case, handle and knob in baked enamel finishes; **hardened steel** arm, drive worm and gear are protected with corrosion resistant finish; **nylon** roller assures smooth operation; operator provides a full 90° window opening and disconnects easily from the sash.



Truth Part Numbers:
 Operator: 15.10
 Stud Bracket: 10339 (left)
 Stud Bracket: 10340 (right)

Specify right or left hand

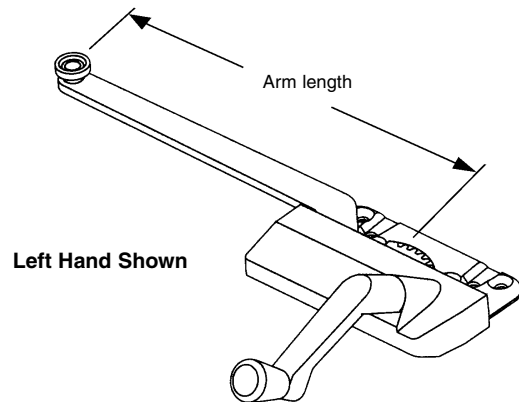
(Determined by the side hinge is on, when viewed from the **outside**).



Truth Part Numbers:
 Operator: 15.11
 Stud Bracket: 10415 (left)
 Stud Bracket: 10416 (right)

Specify right or left hand

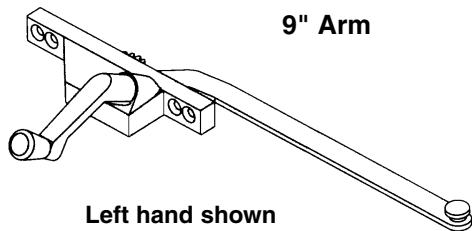
(Determined by the side hinge is on, when viewed from the **outside**).



Truth Part Numbers:
 Operator: 15.31 (9-1/2"); 15.32 (13-1/2")
 Handle: 10579

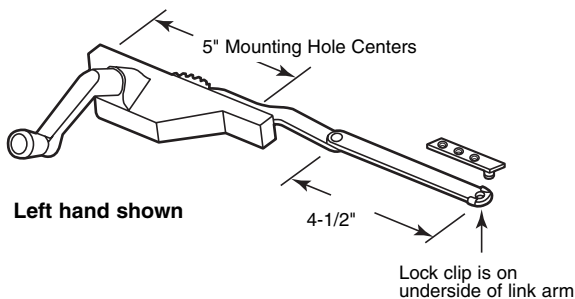
Specify right or left hand

(Determined by the side hinge is on, when viewed from the **outside**).



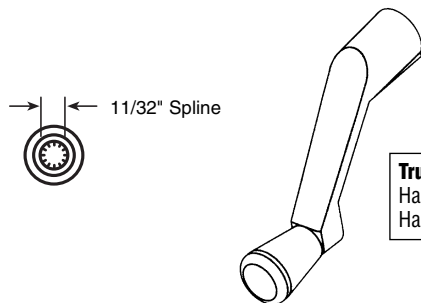
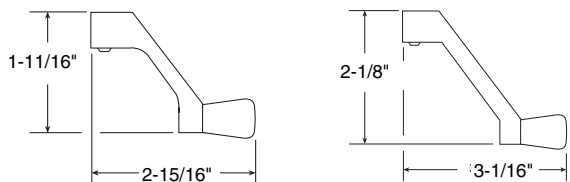
Truth Part Numbers:
Operator: 23.10
Handle: 10579

Specify right or left hand
(Determined by the side hinge is on, when viewed from the *inside*).



Truth Part Numbers:
Operator: 23.46
Stud Bracket: 10558
Handle: 10579

Specify right or left hand
(Determined by the side hinge is on, when viewed from the *inside*).



Truth Part Numbers:
Handle: 10579 (3-1/16")
Handle: 10024 (2-15/16")

Single Arm Operator (Face mount)

Contents: 1 operator; 1 handle and 1 set of installation screws.

Finish	Handing	Part No.
Bronze	Left	TH-23014
Coppertone	Left	TH-23015
White	Left	TH-23016
Bronze	Right	TH-23017
Coppertone	Right	TH-23018
White	Right	TH-23019

Description: High pressure **diecast zinc** case, crank handle and knob in baked enamel finishes; **hardened steel** worm gear and gear arm are protected with corrosive resistant finish; **stainless steel** arm roller and rivet; operator provides arm movement for 90° window opening.

Dyad Operator (Face mount)

Contents: 1 operator; 1 handle and 1 set of installation screws.

Finish	Handing	Part No.
Bronze	Left	TH-23089
White	Left	TH-23091
Bronze	Right	TH-23090
White	Right	TH-23092

Description: High pressure **diecast zinc** case, crank handle and knob in baked enamel finishes; **hardened steel** arms, worm and gear are protected with corrosive resistant finish; excellent for casement or single vent awning windows; detachable clip linkage allows for easy removal from sash; used extensively on vinyl windows; **machine screws thread thru window frame and into back of operator case.**

Operator Crank Handle

Contents: 1 handle.

Handle Size	Finish	Part No.
3-1/16"	Bronze	TH-21996
	Coppertone	TH-21998
	White	TH-22007
	Gold	TH-21999
2-15/16"	Bright Brass	TH-21896

Description: Diecast zinc and solid brass handle and knob; diecast handles are in baked enamel finishes; fits 11/32" Truth spindles only.

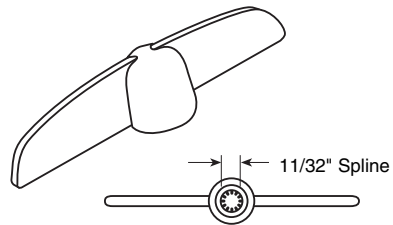
Truth Hardware (Handles & Covers)

- TH-22134 (Bronze)
- TH-22135 (Coppertone)
- TH-22136 (Gold)
- TH-22137 (Bright brass)
- TH-22142 (White)

Tee-Crank Handles

Contents: 1 handle.

Description: Diecast zinc handle and knob in **baked enamel and plated finishes**; ideal for low profile applications with mini-blinds and vertical blinds; **new snap-on design** does not require a set screw; fits **11/32" Truth spindles only**.



Truth Part Numbers:
Handle: 11573

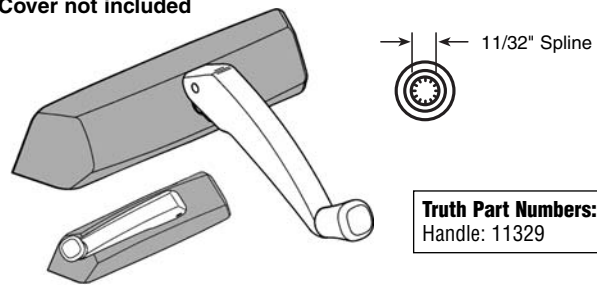
- TH-22243 (Bronze)
- TH-22245 (Coppertone)
- TH-22247 (Bright brass)
- TH-22253 (White)

Folding Handle

Contents: 1 handle.

Description: Diecast zinc handle and knob in **baked enamel and plated finishes**; this unique handle offers an **exceptionally low profile** when folded, yet the crank handle styling requires far less torque, to operate window, than traditional low-profile handles.

Cover not included



Truth Part Numbers:
Handle: 11329

Folded position

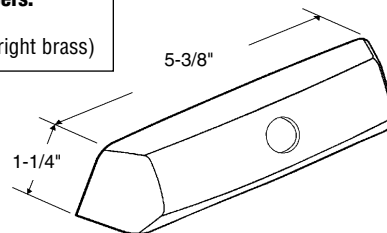
- TH-22232 (Bronze)
- TH-22233 (Coppertone)
- TH-22235 (Bright brass)
- TH-22240 (White)

"Entrygard" Operator Cover (Metal)

Contents: 1 cover.

Description: Diecast zinc cover is **baked enamel or plated finishes**; contemporary styling; designed to snap-on to the worm housing of **Truth "Entrygard" operators**.

Truth Part Numbers:
Cover: 11328
Cover: 10536 (Bright brass)

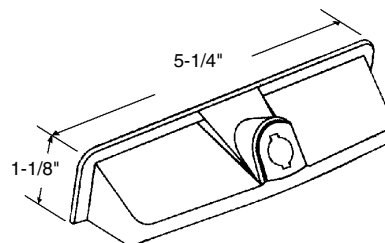


- TH-21928 (Bronze)
- TH-21931 (Coppertone)
- TH-21932 (Gold)
- TH-21986 (Bright brass)
- TH-21937 (White)

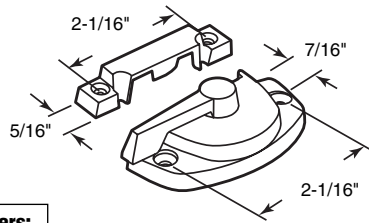
"Entrygard" Operator Cover (Plastic)

Contents: 1 cover.

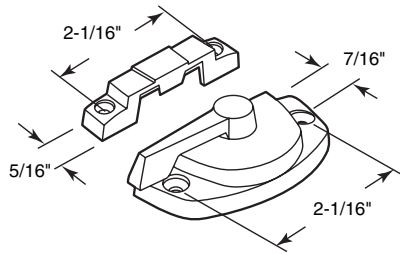
Description: **High impact plastic** snap-on cover offers traditional styling and easy replacement.



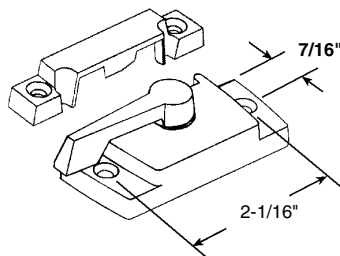
Truth Part Numbers:
Cover: 10341



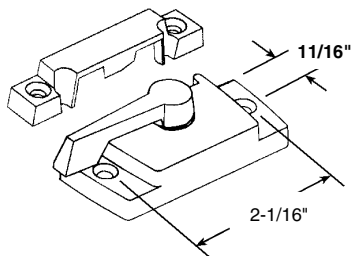
Truth Part Numbers:
 Lock: 17.19
 Keeper: 45131



Truth Part Numbers:
 Lock: 17.23
 Keeper: 40367



Truth Part Numbers:
 Lock: 17.32
 Keeper: 40967



Truth Part Numbers:
 Lock: 17.35
 Keeper: 40967

TH-23080 (Bronze)
TH-23081 (White)

"Entrygard II" Cam Lock (With lugs)

Contents: 1 lock; 1 keeper; 1 set of installation screws.

Description: High pressure, corrosive resistant diecast zinc; baked enamel finish; alignment lugs serve to prevent shifting of rails during locking, also enhances window seal.

TH-23082 (Bronze)
TH-23083 (White)

"Entrygard II" Cam Lock (Without lugs)

Contents: 1 lock; 1 keeper; 1 set of installation screws.

Description: High pressure, corrosive resistant diecast zinc; baked enamel finish; concealed locking mechanism reduces air infiltration by pulling meeting rails tightly together.

TH-23084 (Bronze)
TH-23085 (White)

"Trimline" Cam Lock (With lugs)

Contents: 1 lock; 1 keeper; 1 set of installation screws.

Description: High pressure, corrosive resistant diecast zinc; baked enamel finish; concealed locking mechanism pulls rails together helping to reduce air infiltration; alignment lugs prevent side shift of the sash; **slim-line design for narrow rail application;** lower profile allows maximum sash opening.

TH-23086 (Bronze)
TH-23087 (White)

"Trimline" Cam Lock (With lugs)

Contents: 1 lock; 1 keeper; 1 set of installation screws.

Description: High pressure, corrosive resistant diecast zinc; baked enamel finish; concealed locking mechanism pulls rails together helping to reduce air infiltration; alignment lugs prevent side shift of the sash; **slim-line design for narrow rail application;** lower profile allows maximum sash opening.

Truth Hardware (Sash & Casement Locks)

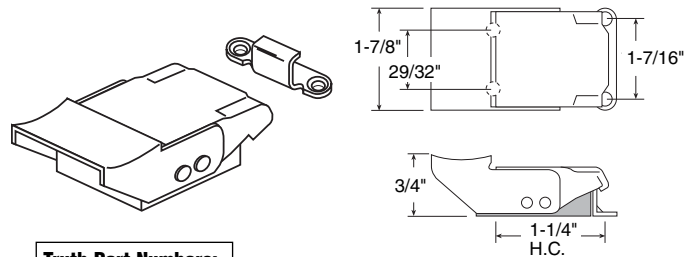
TH-23074 (Bronze)

TH-23075 (Gold)

Toggle Lock

Contents: 1 lock; 1 keeper; 1 set of installation screws.

Description: Baked enamel steel lock and keeper; cam toggle mechanism pulls meeting rails together; spring latch, in open position, retracts mechanism.



Truth Part Numbers:
Lock: 17.13
Keeper: 20057

TH-23053 (Bronze)

TH-23054 (Coppertone)

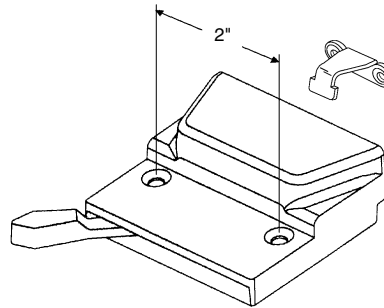
TH-23055 (Bright brass)

TH-23056 (White)

Low Profile Sash Lock (Non-handed)

Contents: 1 lock; 1 keeper; 1 set of installation screws.

Description: Painted and plated high pressure diecast zinc case and handle; painted steel backplate, keeper and locking cam; low profile design requires only a 5/8" stop thickness.



Truth Part Numbers:
Lock: 16.18
Keeper: 31344

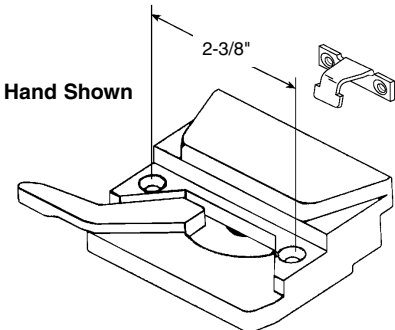
"Entrygard" Sash Lock

Contents: 1 lock; 1 keeper; 1 set of installation screws.

Finish	Handing	Part No.
Bronze	Left	TH-23044
Coppertone		TH-23045
Bright Brass		TH-23046
White		TH-23047
Bronze	Right	TH-23048
Coppertone		TH-23049
Bright Brass		TH-23050
White		TH-23051

Description: Painted and plated high pressure diecast zinc case and handle; painted steel backplate, keeper and locking cam; heavy duty for large casement windows; securely holds sash against weather stripping to help prevent water and air leakage.

Right Hand Shown



Truth Part Numbers:
Lock: 16.27
Keeper: 30827

Specify right or left hand

(Determined by the side hinge is on, when viewed from the *outside*).

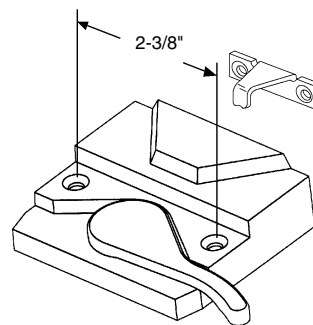
Sash Lock

Contents: 1 lock; 1 keeper; 1 set of installation screws.

Finish	Handing	Part No.
Bronze	Left	TH-23095
White	Left	TH-23098
Bronze	Right	TH-23096
White	Right	TH-23099

Description: Baked enamel high pressure diecast zinc case and handle; painted steel latch and keeper; designed for easy removal of screen panel; excellent cam-acting sealing characteristics.

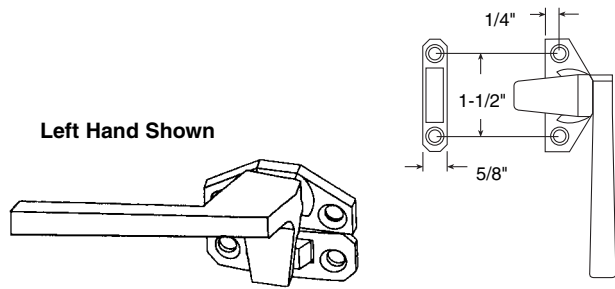
Left Hand Shown



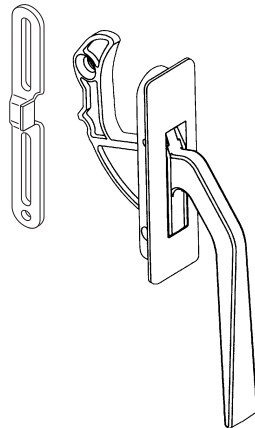
Truth Part Numbers:
Lock: 16.16
Keeper: 20034

Specify right or left hand

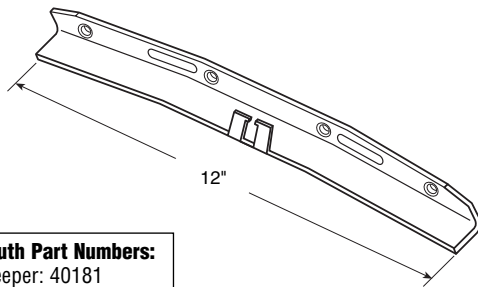
(Determined by the side hinge is on, when viewed from the *outside*).



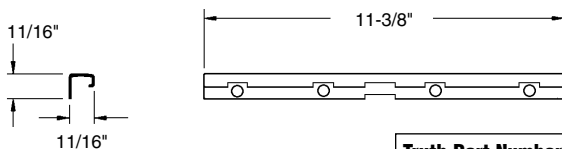
Truth Part Numbers:
 Handle: 25.29
 Strike housing: 20236
 Strike inserts: 20231 & 20233



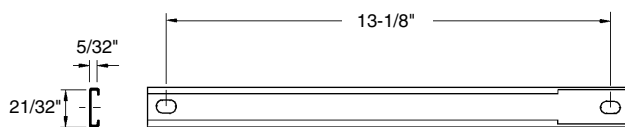
Truth Part Numbers:
 Handle: 24.25
 Keeper: 21088



Truth Part Numbers:
 Keeper: 40181



Truth Part Numbers:
 Track: 30473



Truth Part Numbers:
 Track: 30175

"Trimline" Cam Handle Lock

Contents: 1 lock; 1 strike housing; 2 strike inserts; 1 set of installation screws.

Finish	Handing	Part No.
Bronze	Left	TH-23057
White	Left	TH-23059
Bronze	Right	TH-23058
White	Right	TH-23060

Description: Baked enamel high pressure diecast zinc handle, base and strike housing; black polyester strike inserts (.218 and .344 high) accommodates various mounting applications; a 90° rotation of the handle locks or unlocks the sash.

TH-23093 (Bronze)
TH-23094 (White)

Locking Handle

Contents: 1 handle; 1 keeper; 1 set of installation screws.

Description: Baked enamel high pressure diecast zinc locking handle assembly; painted steel keeper; face mounted style with threaded holes for rear mounting; new design enhances grip to frame and improves sealing against dust and air infiltration.

EP-22593 (Bagged)

Torsion Bar Keeper

Contents: 1 bar.

Description: Painted steel torsion bar serves as additional stability to wide awning sash in open position; also assists in improving the seal at the corners on closing; use with lever and roto gear operators.

EP-22397 (Bagged)

Casement Operator Track

Contents: 1 track; 1 set of installation screws.

Description: Painted steel track; used with "Entrygard" dual arm operators (TH-23076 and TH-23077) as well as all surface mounted operators.

EP-22825 (Bagged)

Casement Operator Track

Contents: 1 track; 1 set of installation screws.

Description: Stainless steel track; use with single arm, face mounting, operators.

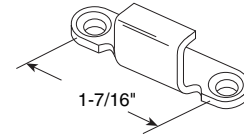
Truth Hardware (Keepers)

EP-22322 (Bagged)

Toggle Lock Keeper

Contents: 1 keeper.

Description: Painted steel keeper; "E-gard" neutral color finish has excellent corrosive resistant properties; use with toggle locks (TH-23074 and TH-23075).



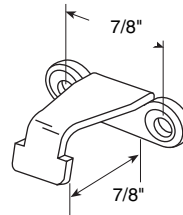
Truth Part Numbers:
Keeper: 20057

EP-22499 (Bagged)

Low Profile Lock Keeper

Contents: 1 keeper.

Description: Painted steel keeper; "E-gard" neutral color finish has excellent corrosive resistant properties; use with low profile sash locks (TH-23053 thru TH-23056).



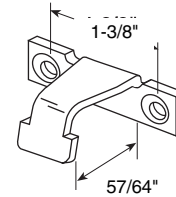
Truth Part Numbers:
Keeper: 31344

EP-22453 (Bagged)

Sash Lock Keeper

Contents: 1 keeper.

Description: Painted steel keeper; "E-gard" neutral color finish has excellent corrosive resistant properties; use with sash locks (TH-23044 thru TH-23051).



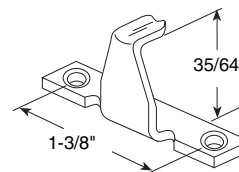
Truth Part Numbers:
Keeper: 30827

EP-22319 (Bagged)

Sash Lock Keeper

Contents: 1 keeper.

Description: Painted steel keeper; "E-gard" neutral color finish has excellent corrosive resistant properties; use with sash locks (TH-23095 thru TH-23099).



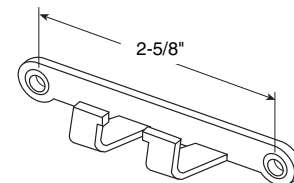
Truth Part Numbers:
Keeper: 20034

EP-22317 (Bagged)

Sash Hook

Contents: 1 hook.

Description: Painted steel keeper; "E-gard" neutral color finish has excellent corrosive resistant properties; use with lever and roto gear operators on awning windows.



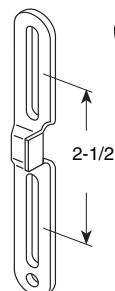
Truth Part Numbers:
Keeper: 20008

EP-22826 (Bagged)

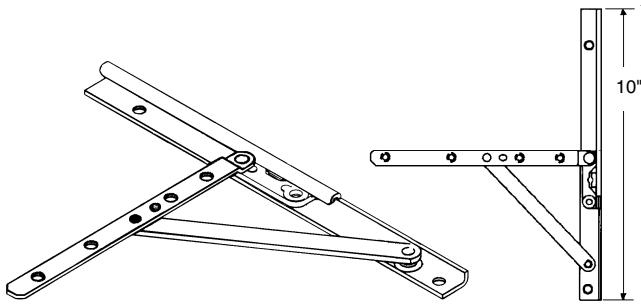
Locking Handle Keeper

Contents: 1 hook.

Description: Stainless steel keeper; use with casement locking handle (TH-23093 & TH-23094).



Truth Part Numbers:
Keeper: 21088



Truth Part Numbers:
Hinge: 14.75

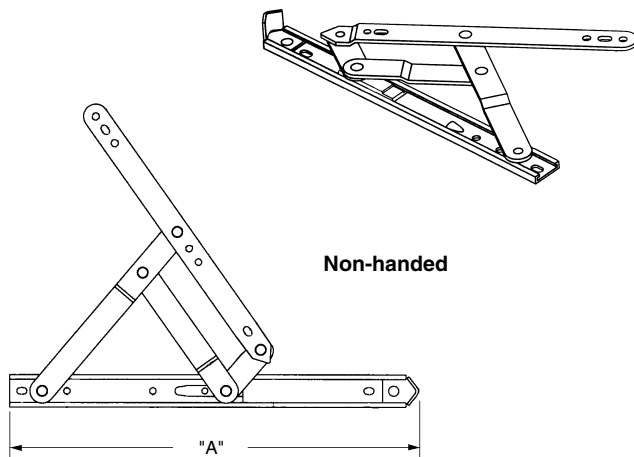
EP-23088 (Bagged)

Concealed Casement Hinge

Contents: 1 pair of hinges (1 left and 1 right).

Description: Stainless steel track with special "Corrosion Gard" plated steel sash and support arms; delrin shoe glide provides self-cleaning action in the track for extended life; special stop feature on support arm prevents window from opening past 90°; flat bottom track reduces rocking.

Used with TH-23076, TH-23077 and all surface or face mount operators.



Non-handed

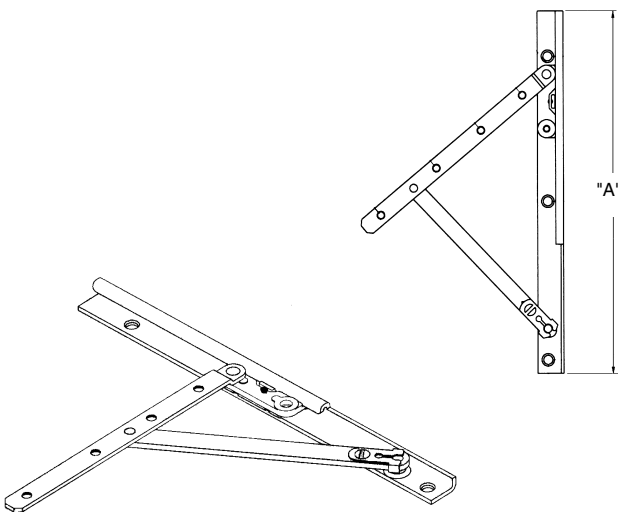
4-Bar Hinges (Non-handed)

Contents: 1 hinge.

Dimension "A"	Truth No.	Bagged Part No.
8"	34.17	EP-21080
10"	34.18	EP-21083
12"	34.19	EP-21090
14"	34.20	EP-21094
16"	34.21	EP-21099
18"	—	—
20"	34.23	EP-21105

*Item has been discontinued, use 16" as replacement.

Description: Zinc plated steel hinges with yellow dichromate dip for protection against corrosion; standard duty with stop for awning and projected windows; sliding brass shoe guide; generally used with "Dyad" (two link design) operators.



Awning Window Hinges

Contents: 1 pair of hinges (1 left and 1 right).

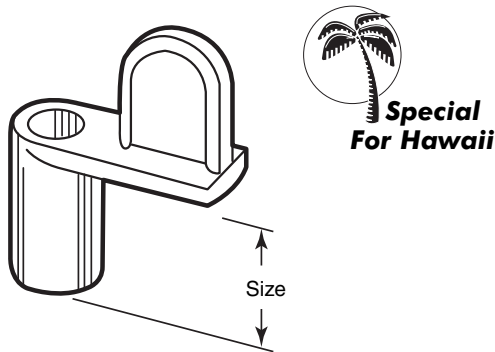
Dimension "A"	Truth No.	Bagged Part No.
14"	13.14	EP-23065
18"	13.15	EP-23066
22"	13.16	EP-23067
26"	13.17	EP-23068

Description: Steel track with heavy gauge steel support arms are plated with "Corrosion Gard" for protection; acetal shoe guide with stainless steel insert; these hinges balance a sash as it opens, for smooth effortless operation; detachable support arms allow quick installation of the sash into the frame.

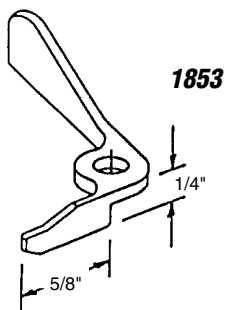
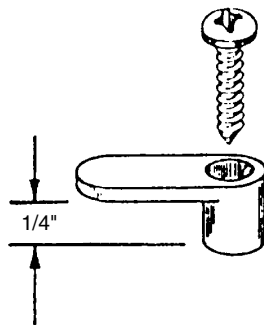
Used with awning window operators.

Size	4/Pkg			12/Pkg		
	Finish (Part Number)			Finish (Part Number)		
	Mill	Bronze	White	Mill	Bronze	White
Flush *	18107-F	181380	181669	182930-F	182950	182959
1/16" *	18107-1	181381	181735	182930-1	182951	182960
1/8" *	18107-2	181382	181747	182930-2	182952	182961
3/16" *	18107-3	181383	182886	182930-3	182953	182962
1/4" *	18107-4	181384	182887	182930-4	182954	182963
5/16" **	18107-5	181385	181605	182930-5	182955	182964
3/8" **	18107-6	181386	181603	182930-6	182956	182965
7/16" **	18107-7	181387	181589	182930-7	182957	182966
1-3/16" **	181983	182885	181801	182968	182958	182967

*No. 8 Phillips pan head sheet metal screws.
 **No. 10-24 Phillips pan head machine screws.

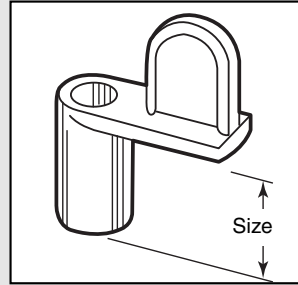


182868



Diecast Clips

Contents: Clips with installation screws.



Description: Painted and plated clips used to attach screen to window opening.

NOTE: Also available in bulk (1000/ctn.)
Almond & Adobe available in bulk only.

Diecast Clips (Special)

Contents: 12 clips with #8 x 1" Phillips pan head sheet metal screws.

Size	Finish (Part Number)		
	Mill	Bronze	White
5/16"	182897-5	182898-5	182900-5
3/8"	182897-6	182898-6	182900-6
7/16"	182897-7	182898-7	182900-7

Description: Painted and plated clips; supplied with 1" long sheet metal screws for Hawaii installations.

182868 (1/4")

Diecast Clips

Contents: 12 clips with #8 x 3/4" Phillips pan head sheet metal screws.

Description: Flat top style clips used to attach screen to window opening.

1853

Diecast Clips

Contents: 4 clips with #4 x 3/8" Phillips pan head sheet metal screws.

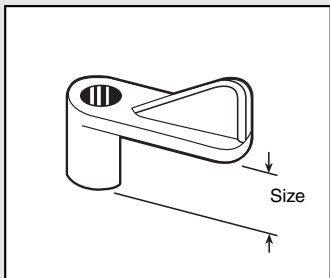
Description: Lever style clip used to attach screen to window opening.

Call for Availability

Window Screen Hardware

Plastic Clips

Contents: Clips with installation screws.



Description: Clips in various colors used to attach screen to window opening.

*No. 8 Phillips pan head **sheet metal screws**.

No. 10-24 Phillips pan head **machine screws.

- 182899-5** (5/16")
- 182899-6** (3/8")
- 182899-7** (7/16")

Plastic Clips (Gray)

Contents: 12 clips with #8 x 1" Phillips pan head sheet metal screws.

Description: Clips are supplied with **1" long screws** for **Hawaii** installations.

- 181873** (White)
- 182896** (Black)

Flush Clips (Plastic)

Contents: 12 clips with #6 x 5/8" Phillips pan head sheet metal screws.

Description: **Double wing** flush clips used to attach screens and storm windows to window opening.

Flush Clips (Plastic)

Contents: Clips with #8 x 3/4" Phillips pan head sheet metal screws.

Color	Quantity (Part Number)	
	4/Pkg	12/Pkg
White	18149	182931
Brown	182871	182937
Black	182908	182969
Gray	—	183233

Description: Clips are supplied with screws, used to attach screens and storm windows to window opening.

Size	4/Pkg	12/Pkg			
		Finish (Part Number)			
		Gray	Black	White	Bronze
1/16" *	1867	182932-1	182873-1	182875-1	183518-1
1/8" *	18957	182932-2	182873-2	182875-2	183518-2
3/16" *	18934	182932-3	182873-3	182875-3	183518-3
5/16" **	18978	182932-5	182873-5	182875-5	183518-5
3/8" **	18935	182932-6	182873-6	182875-6	183518-6
7/16" **	18716	182932-7	182873-7	182875-7	183518-7

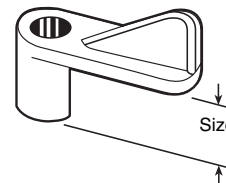
*No. 8 Phillips pan head sheet metal screws.

**No. 10-24 Phillips pan head machine screws.

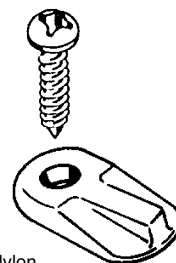


**Special
For Hawaii**

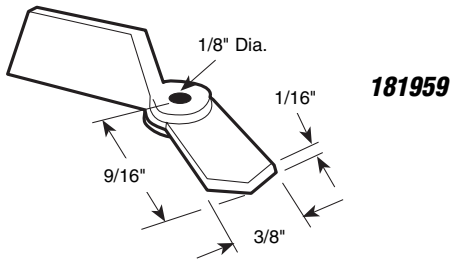
- 182899-5**
- 182899-6**
- 182899-7**



- 181873**
- 182896**



Nylon

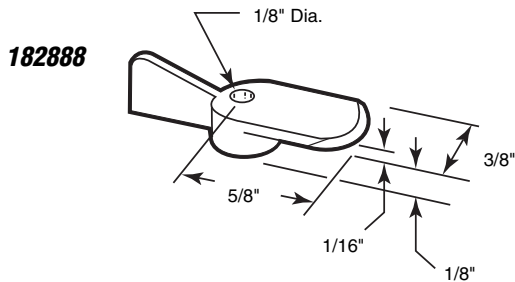


181959

Turn Buttons (White plastic)

Contents: 12 turn buttons with #4 x 3/4" Phillips pan head sheet metal screws.

Description: Turn buttons used to attach screens and storm windows to window opening.

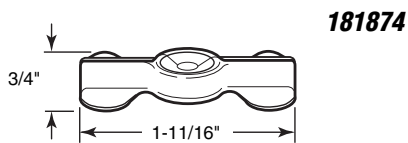


182888

Swivel Clips (White nylon)

Contents: 12 clips with #8 x 3/4" Phillips pan head sheet metal screws.

Description: Swivel clips used to attach screens and storm windows to window opening.

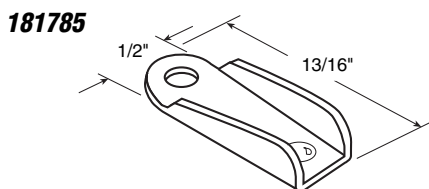


181874

Flush Clips

Contents: 6 clips with #8 x 1/2 flat head sheet metal screws.

Description: Nickel plated steel, double wing clips used to attach screens and storm windows to window opening; also applied to narrow rails to hold adjacent screens in place.

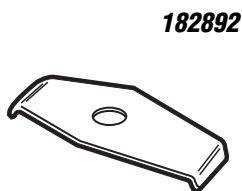


181785

Wing Clips

Contents: 12 clips with #8 x 3/4" Phillips pan head sheet metal screws.

Description: Stamped aluminum clips used to attach screens and storm windows to window opening.



182892

Metal Clips

Contents: 12 clips with #8 x 3/4" Phillips pan head sheet metal screws.

Description: Stamped aluminum, double wing clips commonly applied to narrow rails on interior of double casement windows to hold adjacent screens in place.



182893

Metal Clips

Contents: 12 clips with #8 x 3/4" Phillips pan head sheet metal screws,

Description: Stamped aluminum clips used with 182892 on casement window applications and other similar flush mount applications.

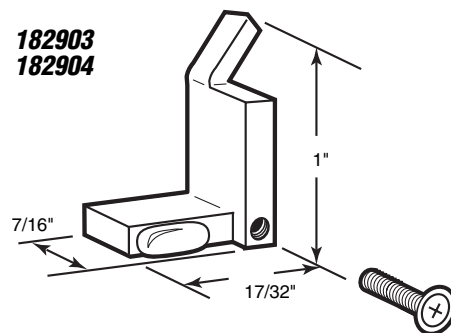
Window Screen Hardware

182903 (Black)
182904 (White)

Nylon Clips

Contents: 4 clips with #6 x 5/8" round washer head machine screws.

Description: Clips used to attach screens to *Acorn* windows.

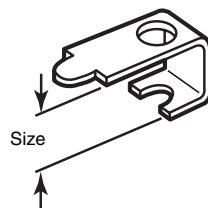


Casement Clips (Aluminum)

Contents: Clips with #10-24 Phillips pan head machine screws.

Size	Quantity (Part Number)	
	4/Pkg	12/Pkg
5/16"	18307	182933
3/8"	181010	182934
7/16"	18926	182935
7/8"	---	182856
1-3/16"	---	182857

Description: Casement clips used to secure window screens and storm windows to window or storm door openings.

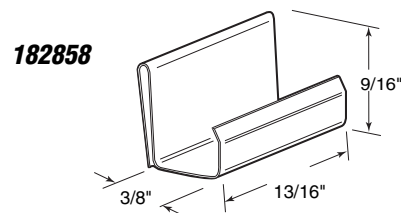


182858

Retainer Clips (Spring steel)

Contents: 6 clips.

Description: Retainer clips hold 3/8" screen frame into aluminum window channel; **bright finish**.

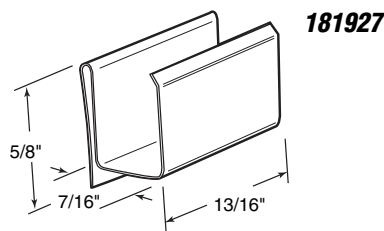


181927

Retainer Clips (Spring steel)

Contents: 6 clips.

Description: Retainer clips hold 7/16" screen frame to aluminum window channel; **bright finish**.

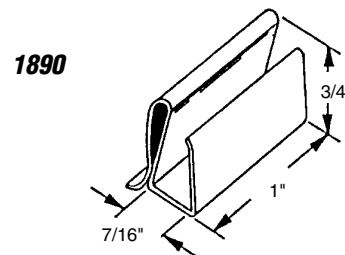


1890

Retainer Clips (Vinyl)

Contents: 4 clips.

Description: Black vinyl clips are used to hold 3/8" and 7/16" screen frame into aluminum window channel.

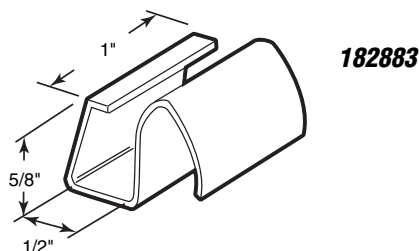


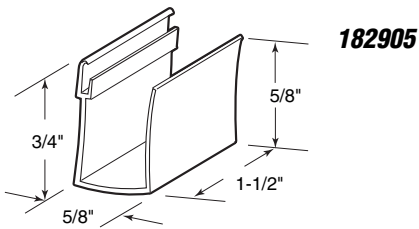
182883

Retainer Clips (Vinyl)

Contents: 6 clips

Description: Black vinyl clips are used to hold 3/8" screen frame into aluminum window channel; fits on *Tom Ray* windows.



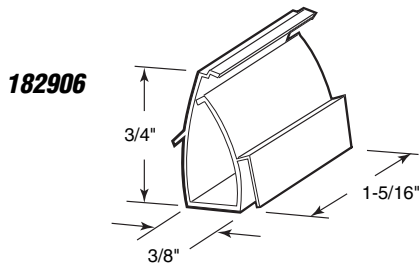


182905

Retainer Clips (Vinyl)

Contents: 6 clips.

Description: Black vinyl clips are used to hold screen frame into aluminum window channel; fits on "Old Style" *Better Built* windows.

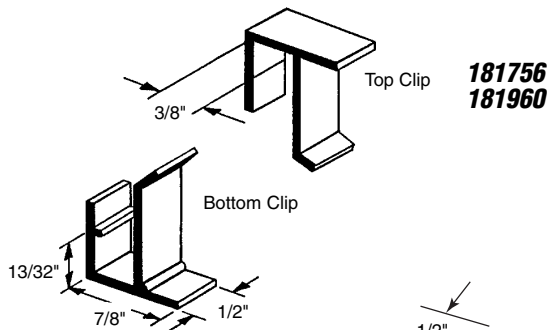


182906

Retainer Clips (Vinyl)

Contents: 6 clips.

Description: Black vinyl clips are used to hold screen frame into aluminum window channel; fits on "New Style" *Better Built* windows.



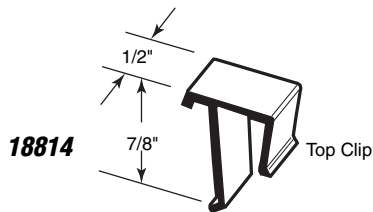
181756

181960

Retainer Clips (Vinyl)

Contents: 1 set = 1 top clip and 1 bottom clip.

Description: Black vinyl clips hold screen frame into sliding window frame channel; fits on *H&D Industries* for 7/16" frame. **Very popular in the Northwest.**

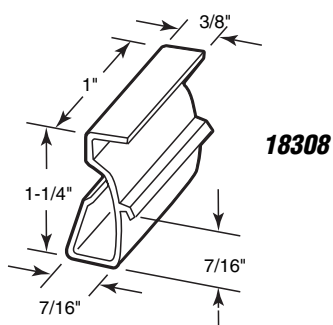
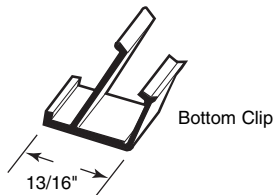


18814

Retainer Clips (Vinyl)

Contents: 2 top and 2 bottom clips.

Description: Black vinyl clips hold screen frame into sliding window frame channel; for 3/8" frame.

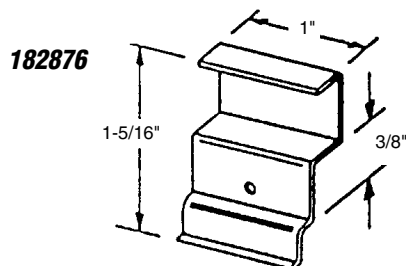


18308

Lift and Retainer Clips (Vinyl)

Contents: 4 clips

Description: Black vinyl clips used to hold 3/8" screen frame into aluminum window channel; lift tab assists in screen removal.



182876

Lift and Retainer Clips (Aluminum)

Contents: 6 clips with installation screws.

Description: Stamped aluminum clip used as a lift handle and screen frame retainer on sliding aluminum windows.

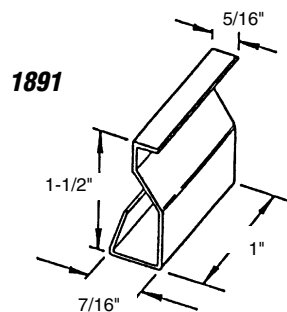
Window Screen Hardware

1891

Lift Tabs (Plastic)

Contents: 4 tabs.

Description: Black vinyl lift tabs used to aid in removal of 7/16" window screen from window frame.

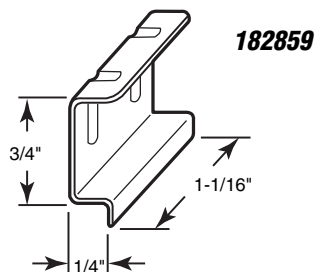


182859

Lift Tabs (Metal)

Contents: 6 tabs.

Description: Stamped aluminum lift tab is installed in spline channel to aid in removal of window screen from window frame.



182860 (White)

182869 (Black)

182970 (Gray)

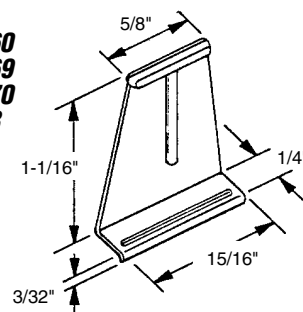
18708 (Gray - 2/card)

Lift Tabs (Plastic)

Contents: 6 tabs, (except #18708).

Description: Plastic lift tab is installed in spline channel to aid in removal of window screen from window frame.

182860
182869
182970
18708

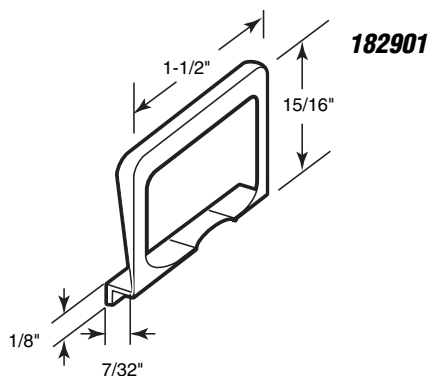


182901

Lift Tabs (Plastic)

Contents: 6 tabs.

Description: Deluxe black plastic lift tab is installed in spline channel to aid in removal of window screen from window frame.



182902 (Gray)

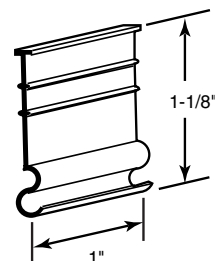
182902-B (Black)

Lift Tabs (Vinyl)

Contents: 6 tabs.

Description: Vinyl lift tab may be installed in most sizes of spline channel to aid in removal of window screen from window frame.

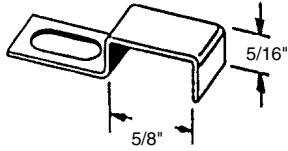
182902
182902-B



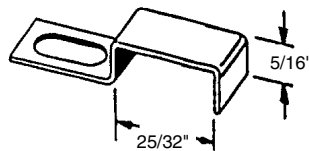
Stretcher Clips

Contents: Clips; #10 x 3/8" Phillips pan head sheet metal screws.

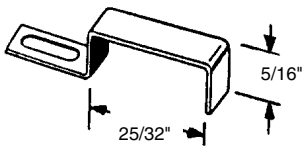
182031



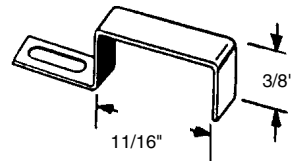
181124



182032



182033

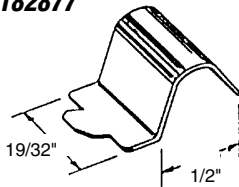


Frame Application	Quantity	Part Number
	4/Pkg	12/Pkg
3/8" x 5/8" flanged frame	182031	182938
5/16" x 3/4" frame	181124	182939
3/8" x 3/4" frame	182032	182940
7/16" x 11/16" frame	182033	182941
For "Miami" Windows	---	182877*
1/4" x 3/4" frame	182878	182942
For flanged frame	182161	182943
For "Keller" windows - old style	182034	182944
For "Keller" windows - new style	182035	182945
"Z" clips with 1/8" offset	---	182879
1/4" x 11/16" frame	181788	182946
3/8" x 13/16" flanged frame	181125	182947
For recessed frame	181126	182948
3/8" x 5/8" frame	181789	182949

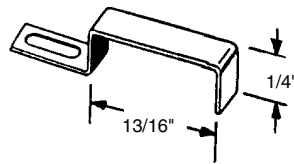
Description: Stamped aluminum clips for attaching window screens to awning and other types of windows.

* Installation screws are not required for this item.

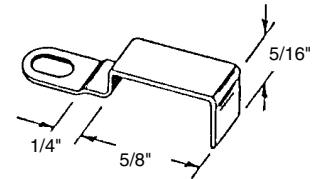
182877



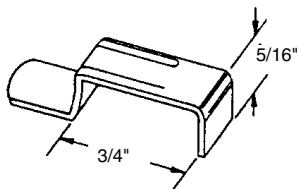
182878



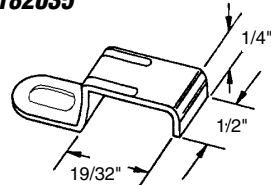
182161



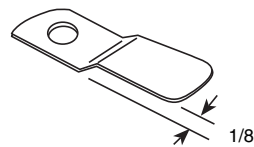
182034



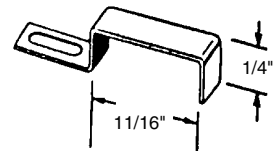
182035



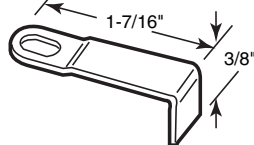
182879



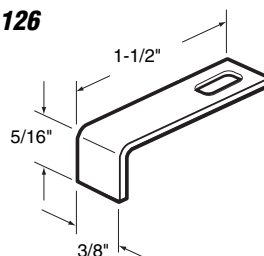
181788



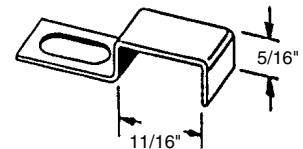
181125



181126



181789

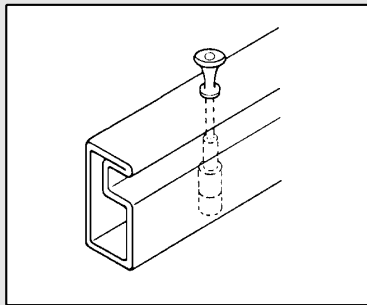


Plunger Latches

Contents: 4 latch assemblies.

Part #	Plunger	Cap	Screen Frame
182864	Nylon	Nylon	1/4" or 5/16" x 3/4"
1857-N	Nylon	Nylon	3/8" or 7/16" x 3/4"
1857	Diecast	Nylon	3/8" or 7/16" x 3/4"
182865	Diecast	Nylon	7/16" x 1"
1856	Aluminum	Aluminum	5/8"
183061	Aluminum	Aluminum	7/16 x 3/4"
183062	Aluminum	Aluminum	7/16" x 1"

Description: Spring loaded plunger latches hold aluminum frame screens into window frames.



Note: For new installations, see part no. 18617 on page 18-12. This **step drill** may be used for drilling screen frame for all plunger latches except part no. 182864.

- 182862** (For 5/8" frame) - 3/32"
- 182863** (For 3/4" frame) - 1/8"
- 18312** (For 1" frame) - 1/8"

Lock Pins

Contents: 4 pins.

Description: Plated steel pin used to secure window screens to sliding aluminum windows.

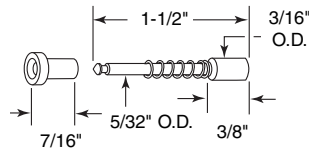
- 1865** (1-1/2" long)
- 1865-1** (1-13/32" long)

Slide Locks

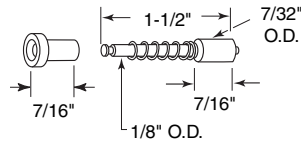
Contents: 4 locks.

Description: Stamped aluminum locks used to attach window screens to aluminum window channels.

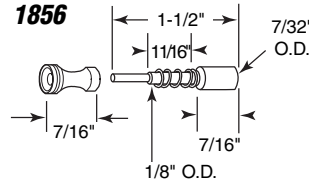
182864



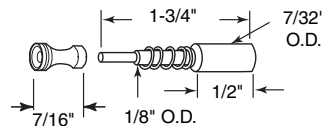
1857



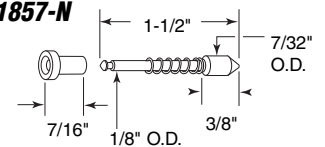
1856



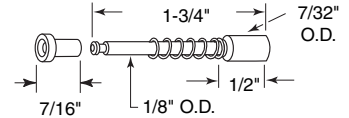
183062



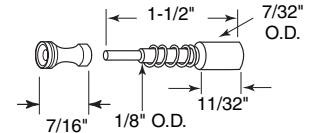
1857-N



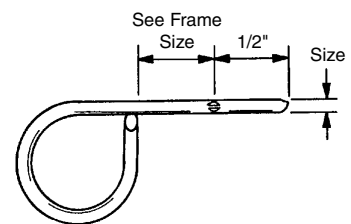
182865



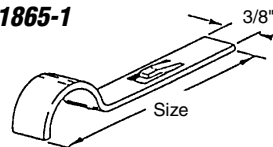
183061

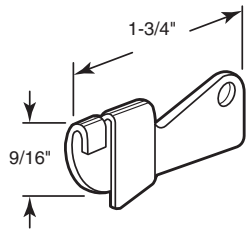
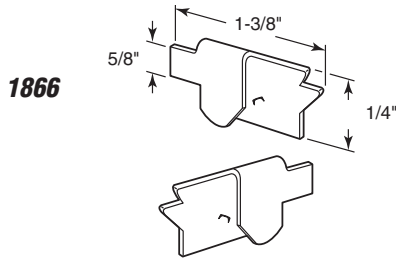


182862
182863
18312

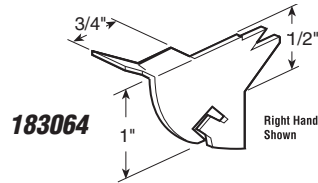


1865
1865-1

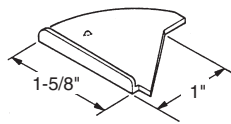




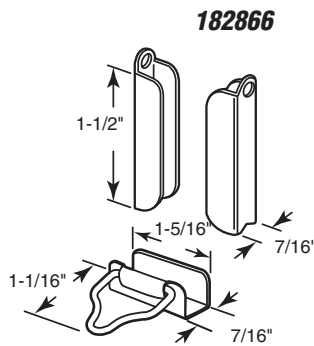
1863



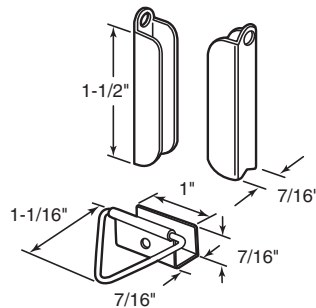
183064



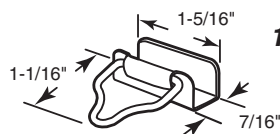
183065



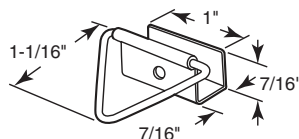
182866



**182936
1819
CCEP-5529**



182867



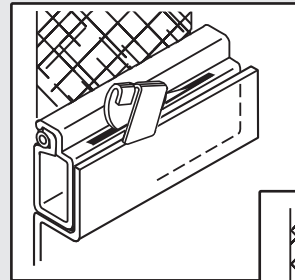
**181582
CCEP-5552**

1866 (Snap-on)
1863 (Rivet-on)

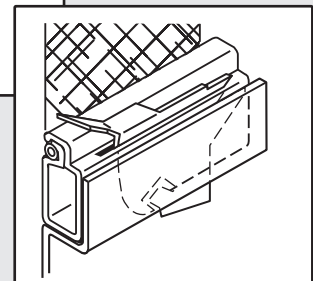
Knife Latches (Pivot style)

Contents: 2 left hand & 2 right hand latches.

Description: Stamped aluminum latches used to secure window screens to sliding aluminum window frames; latch clasps to window frame.



Clasp Latching



Slot Latching

183064
183065

Knife Latches (Swivel style)

Contents: 3 left hand and 3 right hand latches.

Description: Stamped aluminum latches used to secure window screens to sliding aluminum window frames; latch swivels into slot in frame.

Hangers and Latches

Contents: 1 set = 2 top hangers; 1 bottom latch; 1 ball head screw.

Color	Quantity (Part Number)	
	2 Sets	1 Set
Mill finish	182936*	1819
Painted gray	182866	---

Description: Stamped aluminum hardware used to install 7/16" thick window screens to wood framed windows.

*Bulk: CCEP-5529 (2 sets/bag) 50 bags/box.

181582 (Mill finish)*
182867 (Painted gray)

Bottom Latches

Contents: 4 latches; 4 ball head screws.

Description: Stamped aluminum latches slip-on to bottom of 7/16" thick frame; used to hold bottom of window screen to wood window sill.

*Bulk: CCEP-5552 (4/bag) 100 bags/box.

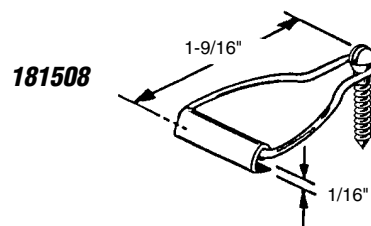
Window Screen Hardware

181508

Spline Latch

Contents: 6 latches; 6 ball head screws.

Description: Stamped aluminum latch is installed into spline channel of window screen; used to hold bottom of screen to wood-framed window sill.

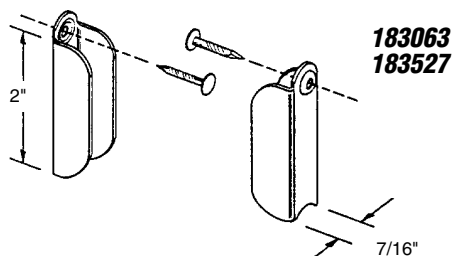


183063 (Aluminum)
183527 (White)

Top Hangers

Contents: 6 hangers; 6 nails.

Description: Stamped mill finish and white painted aluminum hangers nail into top corners of wood window frame; used to hold 7/16" thick screen frame to window frame and allow for easy removal.

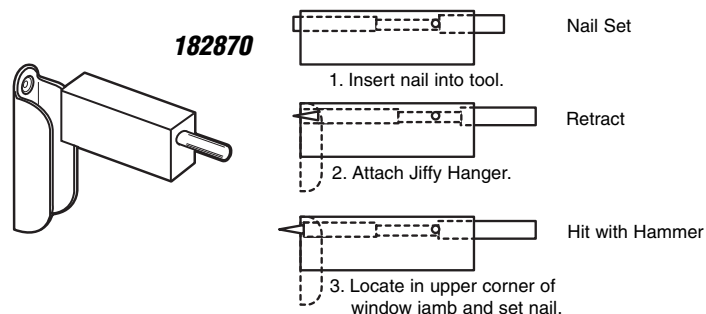


182870

Nail Set Tool

Contents: 1 tool.

Description: Plated steel tool used to install nails into wood framed windows while using Part no. 182936, 1819, 182866, 183063 hangers.

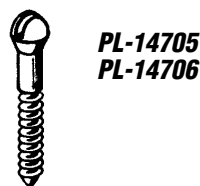


PL-14705 (100/tub)
PL-14706 (1000/tub)

Ball Head Screws

Contents: Bulk screws in plastic tub.

Description: Plated steel screws are used with bottom latches Part no. 181582, 182867 & 181508 to hold window screen to wood window sill; no. 8 x 1" ball head screw.

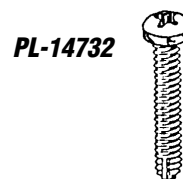


PL-14732

Self-Tapping Screws

Contents: 100 bulk screws in plastic tub.

Description: 10-24 x 3/4" Phillips pan head self-tapping machine screw; used to attach screen clips onto steel window frames.

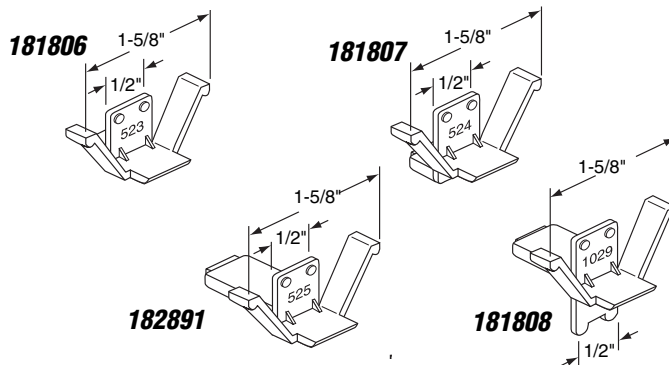


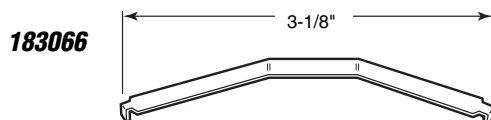
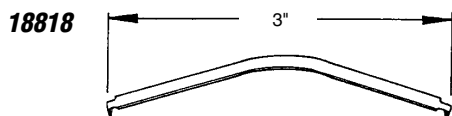
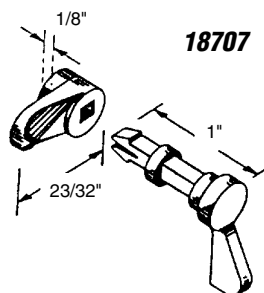
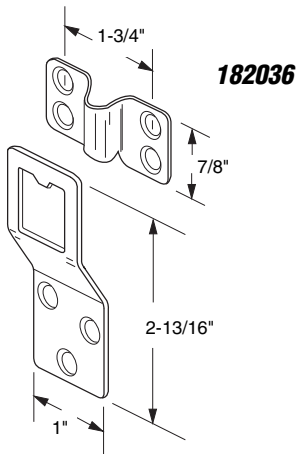
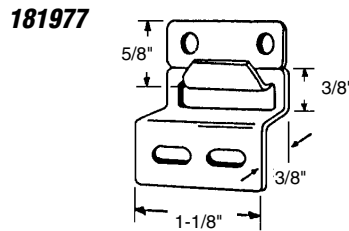
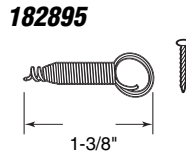
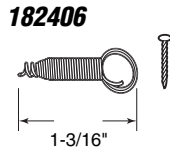
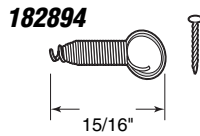
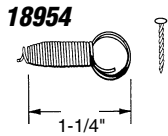
181806 (523)
181807 (524)
182891 (525)
181808 (1029)

Retainer Clips

Contents: 4 clips.

Description: Clear plastic clips; used exclusively in Western Canada to hold window screens to sliding window frames; use number molded into plastic part for exact replacement.





- 18954** (Plated steel)
- 182894** (Stainless steel)
- 182406** (Stainless steel)
- 182895** (Stainless steel)

Spring Latches

Contents: 6 springs; 6 nails.

Description: Spring steel latches are used to hold bottom of window screen to wood framed window sill. Aluminum nail is driven part-way into sill and spring loop is pulled over nail.

181977

Top Hangers

Contents: 4 hooks; 4 keepers; 4 sets of installation screws.

Description: Stamped aluminum hardware; used on wood framed windows; top mounted; hooks mount to window frame and keepers mount to screen frame.

182036

Top Hangers

Contents: 2 hooks; 2 keepers; 2 sets of installation screws.

Description: Plated steel hardware; used on wood framed windows; top mounted; hooks mount to window frame and keepers mount to screen frame.

18707

Retainer Clip Assemblies

Contents: 4 clips; 4 lock pins.

Description: Plastic assembly fits on Arcadia 770 and 780 Series windows; holds screen frame to window frame.

18818

(Round top - 4 per card)

183066 (Flat top - 6 per card)

Tension Springs

Contents: Springs.

Description: Heat-treated steel tension springs hold window screens into sliding aluminum window screen channels. Requires two (2) 3/16" holes drilled 3-3/16" apart.

Window Screen Hardware

181036 (1/4" wide)
182884 (3/16" wide)

Tension Springs

Contents: 4 springs.

Description: Heat-treated steel tension springs hold window screens into sliding aluminum window screen channels. Slips into corner of 3/8" or 7/16" frame. No tools required.

182889
182890 (Heavy Duty)

Tension Springs

Contents: 12 springs.

Description: Plated steel spring wire; designed to hold window screens into sliding aluminum window screen channels.

182861

Hook & Eye

Contents: 2 hooks; 2 eyes.

Description: Plated steel hook and eye; used as a bottom latch on traditional wood frame window screens.

18310

Clips

Contents: 4 clips.

Description: Stamped aluminum clips used for mounting window screens and storm panels to window frames.

18617

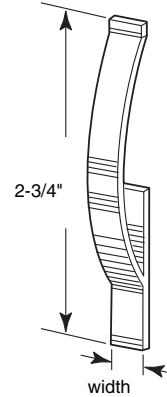
Step Drill

Contents: 1 drill.

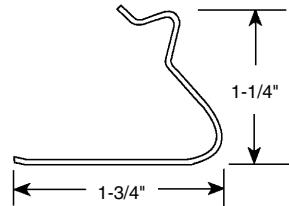
Description: Specially designed step drill is used to install a variety of plunger latches (see page 18-8).

You may also wish to stock these related parts: **182864**, **182865**, **1856**, **183060**.

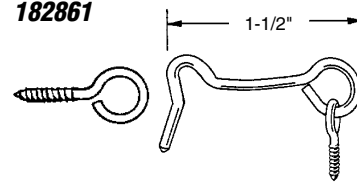
181036
182884



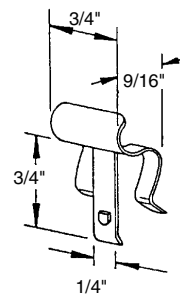
182889
182890



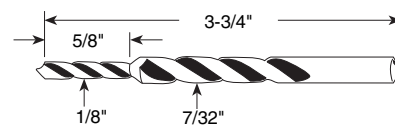
182861



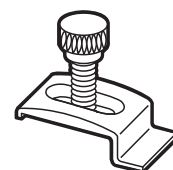
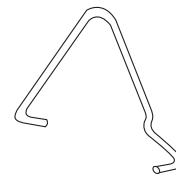
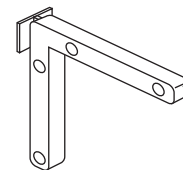
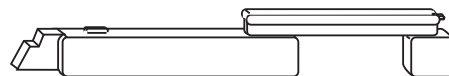
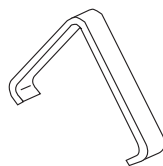
18310



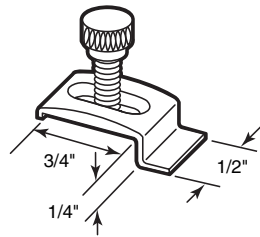
18617



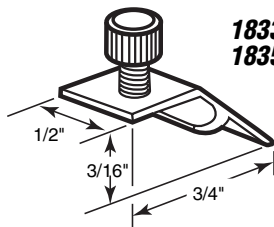
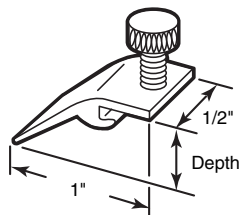
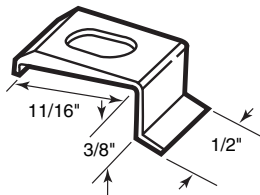
Also Available:



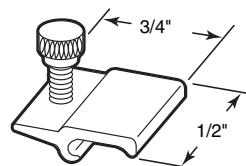
Call customer service for our complete
"Make-to-Fit" Screen Components and Accessories Catalog (ZZ-75).



181054
181055



183326
183521



181989
183013
181990
183014

- 181041** (Aluminum—4 per card)*
- 183009** (Aluminum—8 per card)
- 181050** (White finish—4 per card)*
- 183010** (White finish—8 per card)
- 183335** (Brown finish—8 per card)
- 183336** (Black finish—8 per card)

* - No screws

Panel Clips

Contents: Clips and no. 8-32 x 9/16" thumbscrews.

Description: Aluminum clips; aluminum knurled head thumbscrews; used to secure storm window panels to storm doors.

- 181054** (Aluminum)
- 181055** (White finish)

Panel Clips

Contents: 4 clips.

Description: Aluminum clips; aluminum knurled head thumbscrews; used to secure storm window panels to storm doors.

Panel Clips

Depth	Finish	Quantity Part Number	
		4 Per Card	8 Per Card
5/16"	Aluminum	181043	183011
5/16"	White	181052	183012
7/16"	Aluminum	181058	183016
7/16"	White	181059	183017

Contents: Clips and no. 8-32 x 5/16" thumbscrews.

Description: Aluminum clips; knurled head thumbscrews; self-locking; used to secure storm panels to storm doors.

Note: Aluminum finish clips supplied with aluminum thumbscrews; white clips supplied with white nylon thumbscrews.

You may wish to stock these related parts: **181062: 183325.**

- 183326** (Aluminum)
- 183521** (White finish)

Panel Clips

Contents: 8 clips; 8 no. 8-32 x 5/16" thumbscrews.

Description: Aluminum clips; knurled head aluminum thumbscrews; self-locking; used to secure storm panels to storm doors.

- 181989** (Aluminum—4 per card)
- 183013** (Aluminum—8 per card)
- 181990** (White finish—4 per card)
- 183014** (White finish—8 per card)

Panel Clips

Contents: Clips and no. 8-32 x 5/16" thumbscrews.

Description: Aluminum clips; knurled head thumbscrews; self-locking; used to secure storm panels to storm doors.

Note: Aluminum finish clips supplied with aluminum thumbscrews; white finish clips supplied with white nylon thumbscrews.

Storm Window And Door Hardware

183331 (Aluminum)
183520 (White finish)

Panel Clips

Contents: 8 clips; 8 no. 8-32 x 5/16" thumbscrews.

Description: Aluminum clips; aluminum knurled head thumbscrews; self-locking; used to secure storm panels to storm doors.

181995 (Aluminum - 4 per card)
183015 (Aluminum - 8 per card)
183522 (White finish - 8 per card)

Panel Clips

Contents: Clips with no. 8-32 x 5/16" thumbscrews.

Description: Aluminum clips; aluminum knurled head thumbscrews; self-locking; used to secure storm panels to storm doors.

183332 (Aluminum)
183519 (White finish)

Panel Clips

Contents: 8 clips; 8 no. 8-32 x 5/16" thumbscrews.

Description: Aluminum clips; aluminum knurled head thumbscrews; self-locking; used to secure storm panels to storm doors.

181822 (White nylon)
183334 (Clear acrylic)

Flush Panel Clips

Contents: 8 clips; 8 no. 8 x 3/4" Phillips pan head sheet metal screws.

Description: Flush panel clips; used to secure storm panels to storm doors.

181045 (Aluminum - 9/16" length)
183325 (White finish aluminum - 9/16" length)
181062 (Aluminum - 5/16" length)
183329 (White nylon - 5/16" length)

Thumb screws

Contents: 8 thumbscrews.

Description: No. 8-32 thread knurled head thumbscrews; used with clips to secure storm panels or screen panels to storm doors.

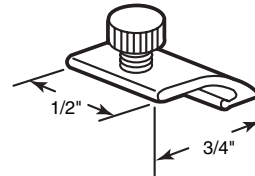
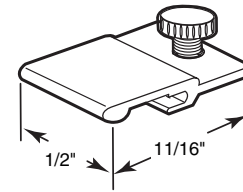
171859 (3/8" depth)
173324 (5/8" depth)

Snap Fasteners

Contents: 4 clips; 4 no. 8 x 3/4" Phillips pan head sheet metal screws.

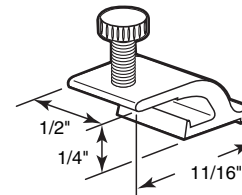
Description: Tempered steel; spring action latch; secures storm panels or screen panels to storm doors.

183331
183520

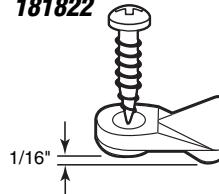


181995
183015
183522

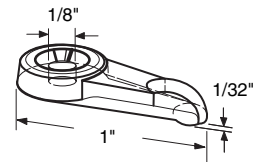
183332
183519



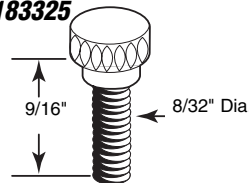
181822



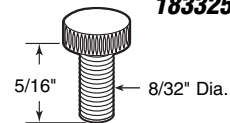
183334



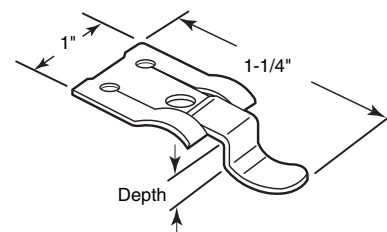
181045
183325



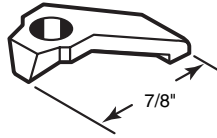
181045
183325



171859
173324



183327



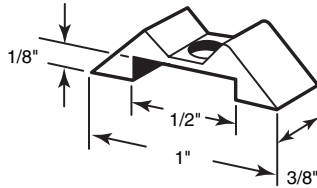
183327 (3/8" depth)

Panel Clips

Contents: 8 clips.

Description: Aluminum clips; used to secure storm panels and window screens to storm doors.

183328



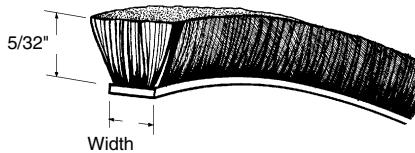
183328

Panel Clips (Aluminum)

Contents: 8 clips.

Description: Aluminum clips secure storm window panels and window screen to storm door.

T-8658
T-8659



T-8658 (3/16" width)

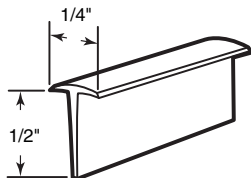
T-8659 (1/4" width)

Weatherstrip (Gray)

Contents: 1 - 18' coil.

Description: Water and dust resistant wool pile; used on both storm doors and storm windows.

T-8680



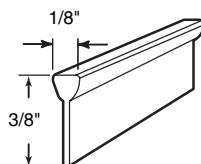
T-8680

Storm Door Sweep

Contents: 1 - 37" sweep.

Description: Gray vinyl; used as bottom seal on storm doors; helps prevent air infiltration.

T-8681



T-8681

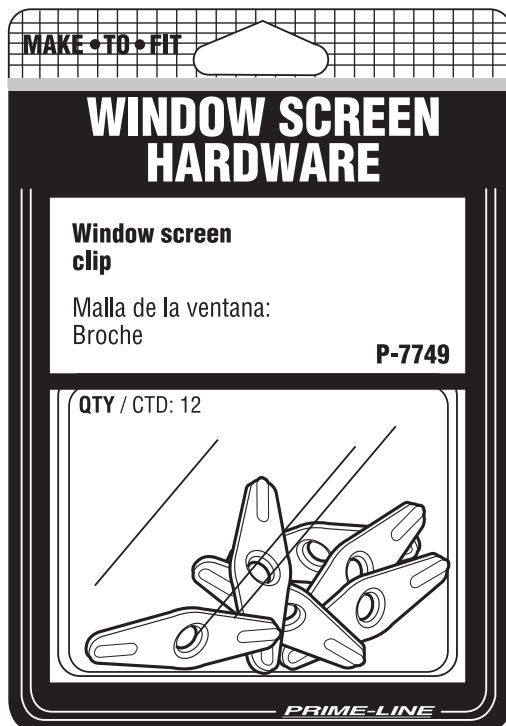
Storm Door Sweep

Contents: 1- 37" sweep.

Description: Gray vinyl; used as bottom seal on storm doors; helps prevent air infiltration.

Make • To • Fit

from **PRIME-LINE**®

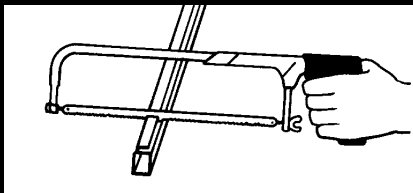


- A unique, stand alone, **Window Screen Hardware & Accessory Line**.
- **Distinctively packaged.**
- Most products in this category are **available in bulk quantities**. Contact our customer service for details.

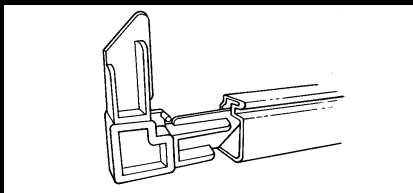
MAKE TO FIT
SQUARE CUT
SCREEN FRAME KIT

AND STORM WINDOW KIT

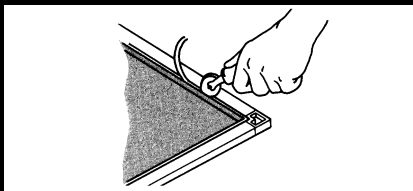
Make a Storm Window With This Frame Kit and Flexible Poly Film



Square Cut Screen Frame To Proper Length with Hacksaw.



Assemble Frame with "Quickie" Corner



Insert Screening or Flexible Poly Film and Retainer Spline.

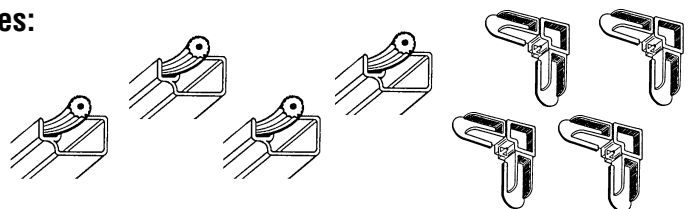
- Easy To Follow Instructions.
- Accepts Aluminum, Fiberglass Mesh Screen or Flexible Poly Film.
- Includes Frame, Spline and Corners.

Aluminum Screen Frame Kits

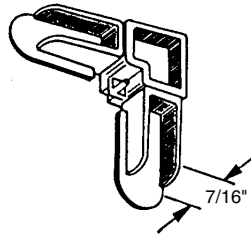
Standard Pack: 10 kits per carton; sold in full quantities.

KIT Part Number	Size	Finish	Length
PL-8036	1/4" X 3/4"	Mill	3'
PL-8037	-	-	4'
PL-8038	-	-	5'
PL-8039	1/4" X 3/4"	Bronze	3'
PL-8040	-	-	4'
PL-8041	-	-	5'
PL-8042	1/4" X 3/4"	White	3'
PL-8043	-	-	4'
PL-8044	-	-	5'
PL-7803	5/16" X 3/4"	Mill	3'
PL-7804	-	-	4'
PL-7805	-	-	5'
PL-7856	5/16" X 3/4"	Gray	3'
PL-7857	-	-	4'
PL-7858	-	-	5'
PL-7806	5/16" X 3/4"	Bronze	3'
PL-7807	-	-	4'
PL-7808	-	-	5'
PL-7812	5/16" X 3/4"	White	3'
PL-7813	-	-	4'
PL-7814	-	-	5'
PL-7815	3/8" X 3/4"	Mill	3'
PL-7816	-	-	4'
PL-7817	-	-	5'
PL-7818	3/8" X 3/4"	Bronze	3'
PL-7819	-	-	4'
PL-7820	-	-	5'
PL-7821	3/8" X 3/4"	White	3'
PL-7822	-	-	4'
PL-7823	-	-	5'
PL-7800	7/16" X 3/4"	Mill	3'
PL-7801	-	-	4'
PL-7802	-	-	5'
PL-7839	7/16" X 3/4"	Gray	3'
PL-7840	-	-	4'
PL-7841	-	-	5'
PL-7809	7/16" X 3/4"	Bronze	3'
PL-7810	-	-	4'
PL-7811	-	-	5'
PL-7836	7/16" X 3/4"	White	3'
PL-7837	-	-	4'
PL-7838	-	-	5'

Kit Includes:



PL-7724
PL-7725
PL-7726

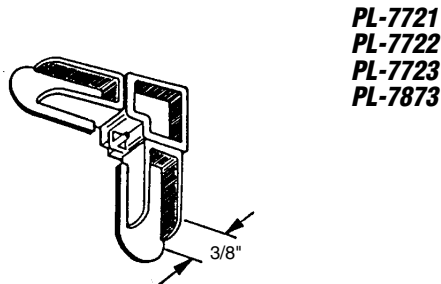


PL-7724 (Gray)
PL-7725 (Bronze)
PL-7726 (White)

7/16" x 3/4" Screen Frame Corners (Plastic)

Contents: 4 corners.

Description: Plastic corners used with appropriate screen frame to form a finished window screen. These corners allow frame to be square cut for easy construction by homeowner.



PL-7721
PL-7722
PL-7723
PL-7873

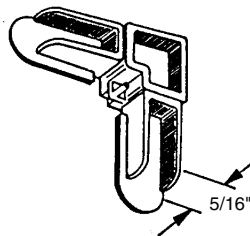
PL-7721 (Gray)
PL-7722 (Bronze)
PL-7723 (White)
PL-7873 (Almond)

3/8" x 3/4" Screen Frame Corners (Plastic)

Contents: 4 corners.

Description: Plastic corners used with appropriate screen frame to form a finished window screen. These corners allow frame to be square cut for easy construction by homeowner.

PL-7727
PL-7728
PL-7729
PL-7871

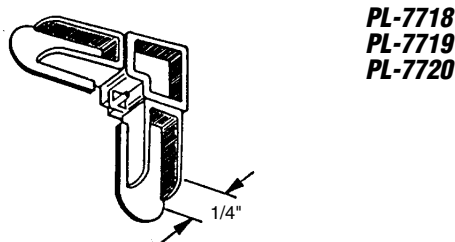


PL-7727 (Gray)
PL-7728 (Bronze)
PL-7729 (White)
PL-7871 (Almond)

5/16" x 3/4" Screen Frame Corners (Plastic)

Contents: 4 corners.

Description: Plastic corners used with appropriate screen frame to form a finished window screen. These corners allow frame to be square cut for easy construction by homeowner.



PL-7718
PL-7719
PL-7720

PL-7718 (Gray)
PL-7719 (Bronze)
PL-7720 (White)

1/4" x 3/4" Screen Frame Corners (Plastic)

Contents: 4 corners.

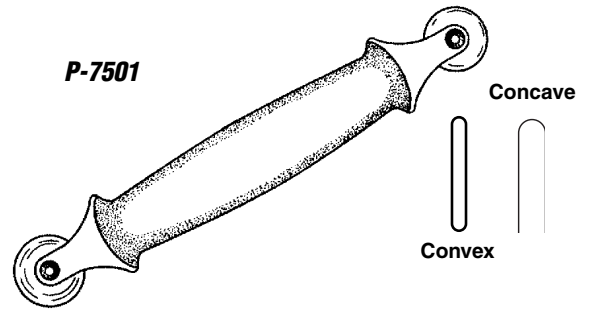
Description: Plastic corners used with appropriate screen frame to form a finished window screen. These corners allow frame to be square cut for easy construction by homeowner.

P-7501

Rolling Tool

Contents: 1 tool.

Description: Combination tool with **plastic** handle; **steel** convex and concave rollers; used to **install aluminum screen wire** and vinyl spline into window screen frame.



P-7503 (Carded)

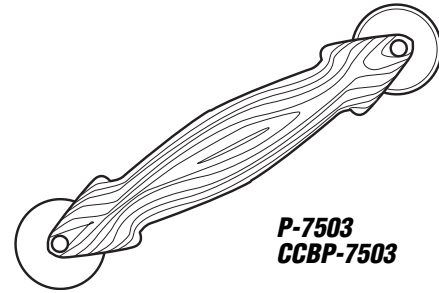
GCBP-7503 (Bulk - 40 per box)

Rolling Tool

Contents: 1 tool.

Description: Combination tool with **plastic** handle; **nylon** convex and concave rollers; used to **install fiberglass screen fabric** and vinyl spline into window screen frame.

NOTE: Also available as part no. 18681.



P-7505 (Carded)

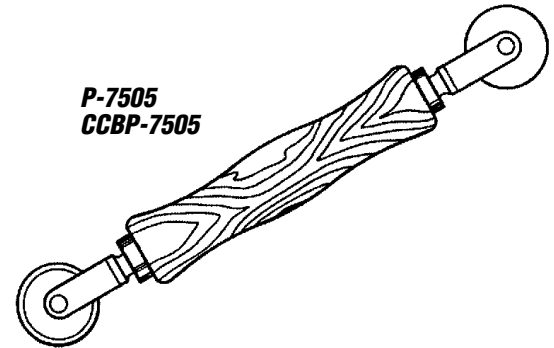
GCBP-7505 (Bulk - 50 per box)

Rolling Tool

Contents: 1 tool.

Description: Combination tool with **wood** handle; **steel** convex and concave rollers; used to install most screening materials and vinyl spline into window screen frame.

NOTE: Also available as part no. 181051.



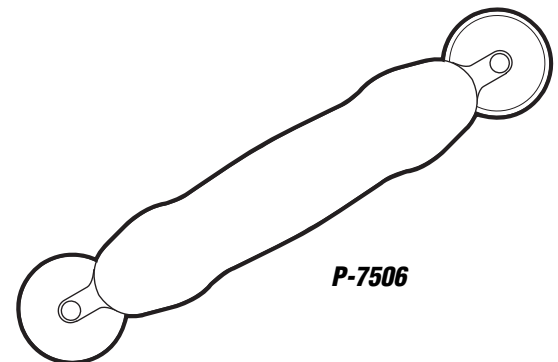
P-7506

Rolling Tool

Contents: 1 tool.

Description: Combination tool with **diecast zinc** handle; **steel** convex and concave rollers; used to install most screening materials and vinyl spline into window screen frame.

NOTE: Also available as part no. 183RL.



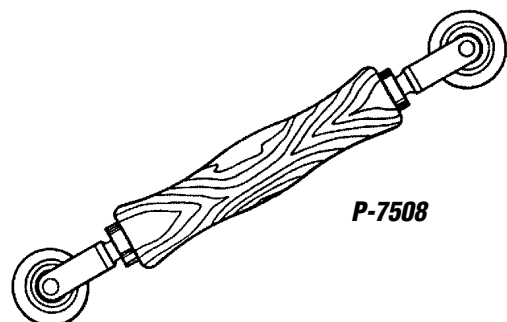
P-7508

Rolling Tool

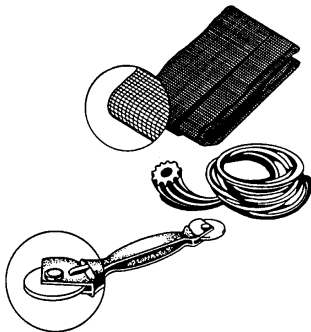
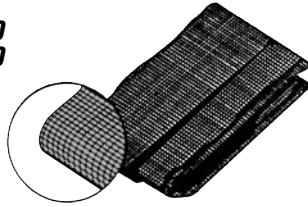
Contents: 1 tool.

Description: Combination tool with **wood** handle; **steel ball bearing** convex and concave rollers; used to install most screening materials and vinyl spline into window screen frame.

Many styles of professional rolling tools are available. Call our customer service specialists or order our "Expert's Back Room" catalog.

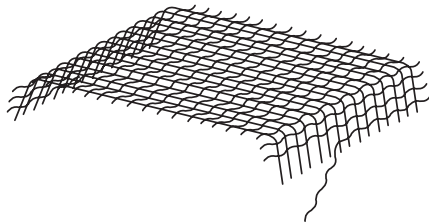
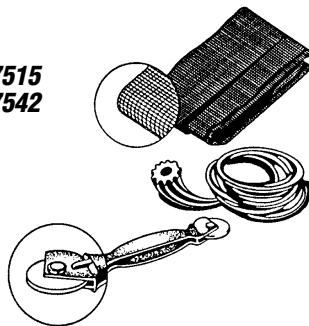


P-7510
P-7540



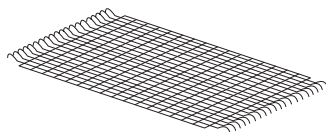
P-7511
P-7541

P-7515
P-7542

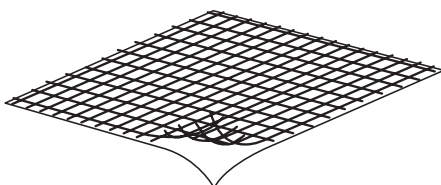


P-7548
P-7549

P-8093



P-8095
P-8096



P-7510 (36" x 84")
P-7540 (48" X 84")

Fiberglass Screen

Contents: 1 piece of screen fabric.

Description: Charcoal fiberglass used for re-screening projects; may be sufficient quantity to re-screen (2) windows or (1) door.

P-7511 (36" x 84")
P-7541 (48" X 84")

Fiberglass Screen Kit (Western U.S.)

Contents: 1 piece of screen fabric; 30' of .180 black vinyl spline; rolling tool.

Description: Charcoal fiberglass and vinyl spline used for re-screening projects; plastic handled combination rolling tool with nylon convex and concave rollers, maybe sufficient quantity to re-screen (2) windows or (1) door.

P-7515 (36" x 84")
P-7542 (48" X 84")

Fiberglass Screen Kit (Eastern U.S.)

Contents: 1 piece of screen fabric; 30' of .155 black vinyl spline; rolling tool.

Description: Charcoal fiberglass and vinyl spline used for re-screening projects; plastic handled combination rolling tool with nylon convex and concave rollers, maybe sufficient quantity to re-screen (2) windows or (1) door.

P-7548 (Aluminum finish - bagged)
P-7549 (Charcoal finish - carded)
P-8098 (Aluminum finish - carded)

Screen Repair Patches (3" x 3")

Contents: 5 aluminum screen patches.

Description: Repair patches cover holes in existing aluminum screened windows or doors; **no tools required.**

P-8093 (Aluminum finish)

Screen Repair Patches (1-1/2" x 1-3/4")

Contents: 7 aluminum screen patches.

Description: Repair patches cover holes in existing aluminum screened windows or doors; **no tools required.**

P-8095 (Gray)
P-8096 (Charcoal)

Screen Repair Patches (3" x 3")

Contents: 5 fiberglass screen patches.

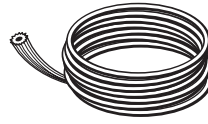
Description: Adhesive backed fiberglass patches used to repair holes and tears in window screens or screen doors; **no tools required.**

Screen Retainer Spline

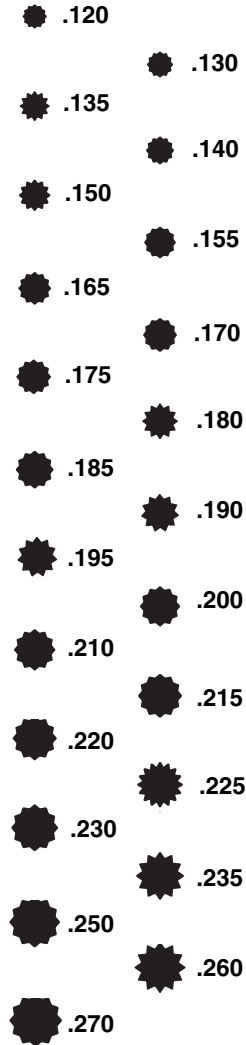
Contents: 25 feet per display bag.

Part Number Black	Part Number Gray	Decimal Size	Fractional Size
P-7516	P-7630	.120	1/8"
P-7517	P-7631	.130	-
P-7518	P-7632	.135	-
P-7519	P-7633	.140	9/64"
P-7533	P-7634	.150	-
P-7520	P-7635	.155	-
P-7521	P-7636	.165	11/64"
P-7522	P-7637	.170	-
P-7523	P-7638	.175	-
P-7524	P-7639	.180	-
P-7940	P-7941	.185	3/16"
P-7525	P-7640	.190	-
P-7950	P-7951	.195	-
P-7526	P-7641	.200	13/64"
P-7527	P-7642	.210	7/32"
P-7960	P-7961	.215	-
P-7528	P-7643	.220	-
P-7970	P-7971	.225	-
P-7529	P-7644	.230	15/64"
P-7980	P-7981	.235	-
P-7530	P-7645	.250	1/4"
P-7531	P-7646	.260	-
P-7532	P-7647	.270	17/64"

Description: Top quality vinyl; round; hollow core and serrated; used to hold screen material to window and screen door frames. Also available in 100 ft, 250 ft, 500 ft, and 15 lbs. bulk reels.



Actual Sizes



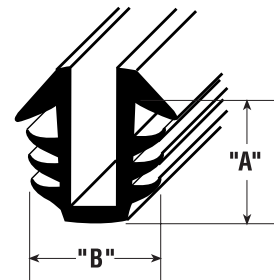
Glazing Channel

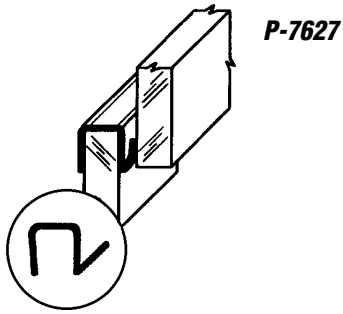
Contents: 20 feet per bag.

	Channel Size		Glass Thickness	Part Number
	"A"	"B"		
	1/4"	1/4"	Single	P-7616
	17/64"	1/4"	Single	P-7617
	1/4"	1/4"	Double	P-7618
	17/64"	1/4"	Double	P-7619

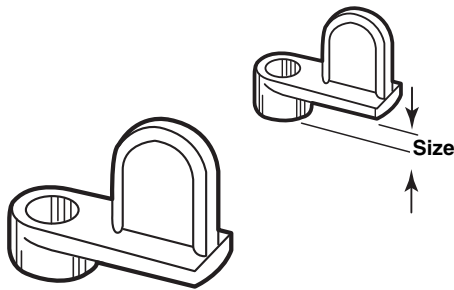
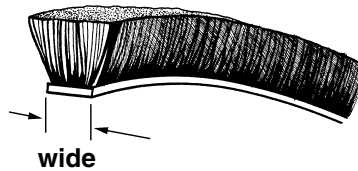
Description: Black vinyl glazing channel; universal size to fit many window frame glass channels. Determine glass channel dimensions and thickness of glass to select proper glazing channel. Also available in many other sizes as well as lengths of 100 ft, 200 ft and bulk reels.

P-7616
P-7617
P-7618
P-7619

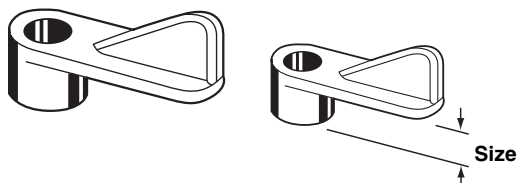
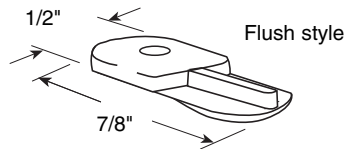




T-8658
T-8659



NOTE: Also available in bulk (1000/ctn.)
Almond & Adobe available in bulk only.



P-7627

Louver Strip

Contents: 20 feet per bag.

Description: Clear vinyl strip; slips over 3/16" louver glass to reduce air and dust infiltration.

T-8658 (3/16" wide)

T-8659 (1/4" wide)

Pile Weatherstrip

Contents: 18 feet per bag.

Description: Brush weatherstrip with stiff backer; used by many window manufacturers to seal out air and dust. **Also available in bulk lengths.**

Screen Clips (Diecast)

Contents: 12 clips with installation screws.

Finish (Part Number)

Size	Mill	Black	White	Bronze
Flush *	PL-7730	PL-7877	PL-7878	PL-7879
1/16" *	PL-7731	PL-7880	PL-7881	PL-7882
1/8" *	PL-7732	PL-7883	PL-7884	PL-7885
3/16" *	PL-7733	PL-7886	PL-7887	PL-7888
1/4" *	PL-7734	PL-7889	PL-7890	PL-7891
5/16" **	PL-7735	PL-7842	PL-7893	PL-7894
3/8" **	PL-7736	PL-7843	PL-7896	PL-7897
7/16" **	PL-7737	PL-7844	PL-7899	PL-7900
1-3/16" **	PL-7901	PL-7902	PL-7903	PL-7904

* No. 8 Phillips Pan Head Sheet Metal Screws.

** No. 10-24 Phillips Pan Head Machine Screws.

Description: Painted and plated clips used to attach screen to window opening.

Screen Clips (Plastic)

Contents: 12 clips with installation screws.

Finish (Part Number)

Size	Gray	Black	White	Bronze
Flush *	PL-7905	PL-7906	PL-7738	PL-7907
1/16" *	PL-7739	PL-7908	PL-7909	PL-7910
3/16" *	PL-7740	PL-7911	PL-7912	PL-7913
1/4" *	PL-7914	PL-7788	PL-7790	PL-7915
5/16" **	PL-7741	PL-7770	PL-7773	PL-7916
3/8" **	PL-7742	PL-7771	PL-7774	PL-7917
7/16" **	PL-7743	PL-7772	PL-7775	PL-7918

* No. 8 Phillips Pan Head Sheet Metal Screws.

** No. 10-24 Phillips Pan Head Machine Screws.

Description: Plastic screen clips in various colors used to attach screen to window opening.

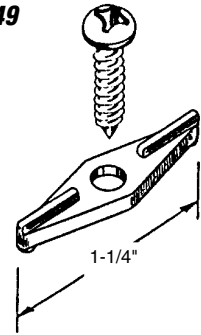
PL-7749 (White)

Flush Clips (Plastic)

Contents: 12 clips with no. 6 x 5/8" Phillips pan head sheet metal screws.

Description: Double wing flush clips used to attach screens and storm windows to window opening.

PL-7749



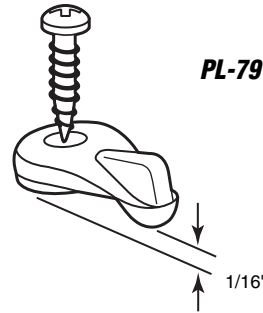
PL-7919 (White)

Flush Clips (Nylon)

Contents: 8 clips with no. 8 x 3/4" Phillips pan head sheet metal screws.

Description: Used to attach screens and storm windows to window opening.

PL-7919



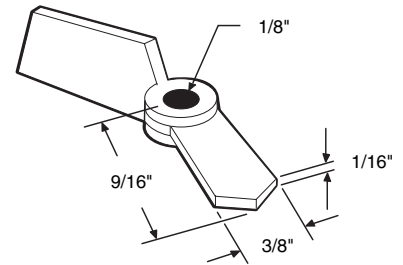
PL-7920 (White)

Turn Buttons (Nylon)

Contents: 12 turn buttons with no. 4 x 3/4" Phillips pan head sheet metal screws.

Description: Turn buttons used to attach screens and storm windows to window opening.

PL-7920



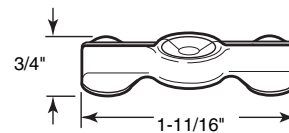
PL-7967

Flush Clips

Contents: 6 clips with no. 8 x 1/2" Phillips pan head sheet metal screws.

Description: Stamped aluminum, double wing clips used to attach screens and storm windows to window opening; also applied to narrow rails to hold adjacent screens in place.

PL-7967



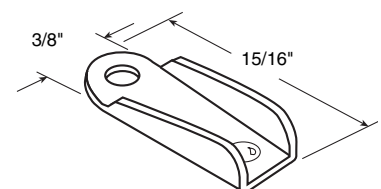
PL-8009

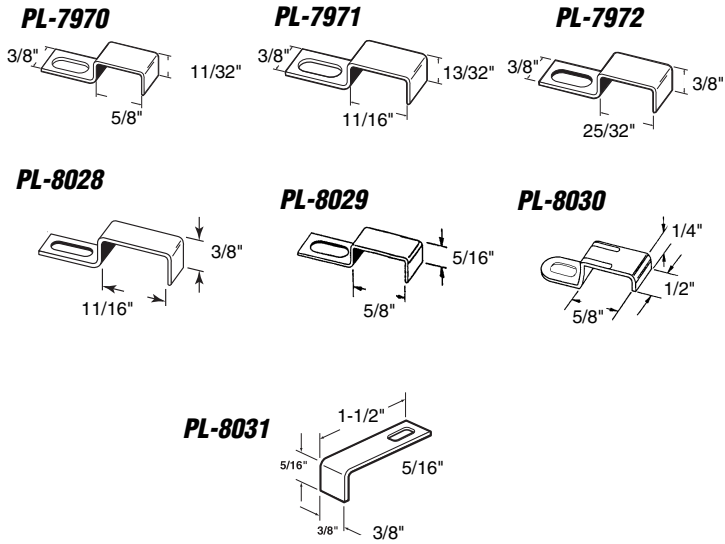
Wing Clips

Contents: 12 clips with no. 8 x 3/4" Phillips pan head sheet metal screws.

Description: Stamped aluminum clips used to attach screens and storm windows to window opening.

PL-8009



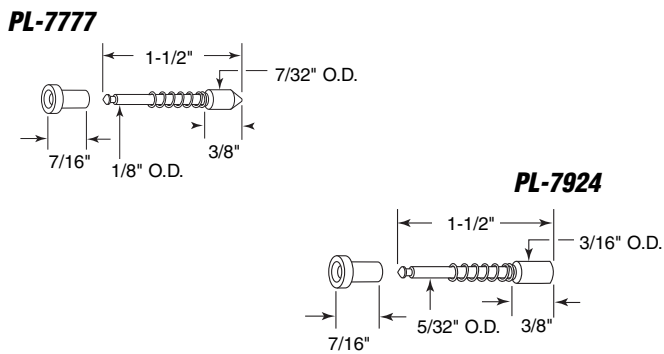


Stretcher Clips

Contents: 12 clips; 12 - #10 x 3/8" Phillips pan head sheet metal screws.

Part #	Frame Application
PL-7970	3/8" x 5/8" flanged frame
PL-7971	5/16" x 3/4" frame
PL-7972	3/8" x 3/4" frame
PL-8028	7/16" x 11/16" frame
PL-8029	For flanged frame
PL-8030	For "Keller" windows - new style
PL-8031	recessed frame

Description: Stamped aluminum clips for attaching window screens to awning and other types of windows.

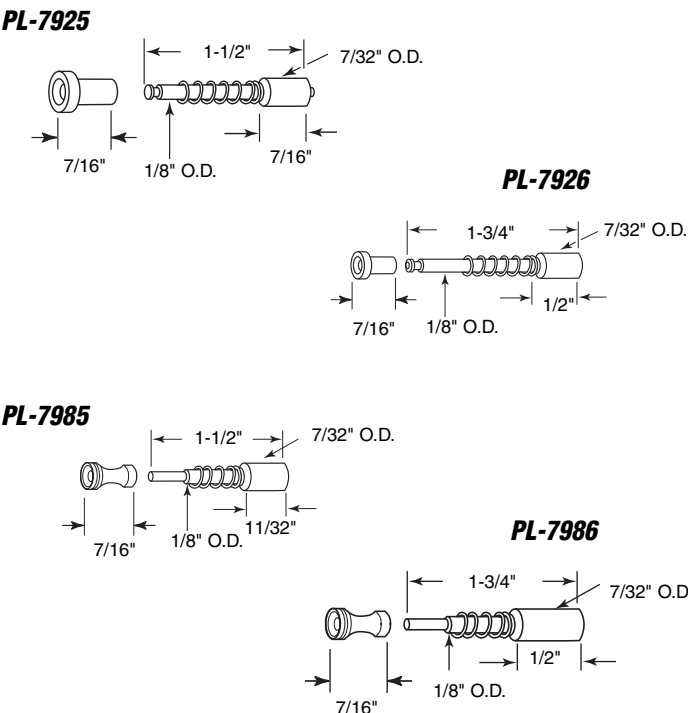
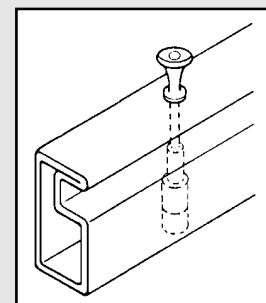


Plunger Latches

Contents: 6 latch assemblies.

Part #	Plunger	Cap	Screen Frame
PL-7777	Nylon	Nylon	3/8" or 7/16" x 3/4"
PL-7924	Nylon	Nylon	1/4" or 5/16" x 3/4"
PL-7925	Diecast	Nylon	3/8" or 7/16" x 3/4"
PL-7926	Diecast	Nylon	7/16" x 1"
PL-7985	Aluminum	Aluminum	3/8" or 7/16" x 3/4"
PL-7986	Aluminum	Aluminum	7/16" x 1"

Description: Spring loaded plunger latches hold aluminum frame screens into window frames.



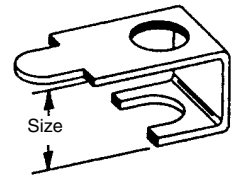
- PL-7744** (5/16")
- PL-7745** (3/8")
- PL-7746** (7/16")
- PL-7747** (7/8")
- PL-7748** (1-3/16")

Casement Clips (Aluminum)

Contents: 12 clips with no. 10-24 phillips pan head machine screws.

Description: Stamped aluminum casement clips used to secure window screens and storm windows to window or storm door openings.

- PL-7744**
- PL-7745**
- PL-7746**
- PL-7747**
- PL-7748**

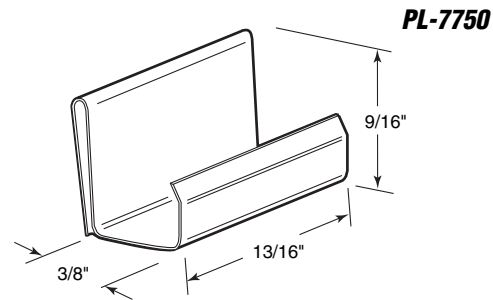


PL-7750

Retainer Clips (Spring steel)

Contents: 6 clips.

Description: Retainer clips hold 3/8" screen frame to aluminum window channel; **bright finish.**



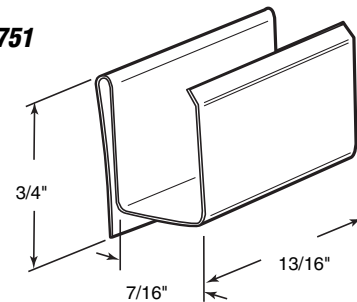
PL-7751

Retainer Clips (Spring steel)

Contents: 6 clips.

Description: Retainer clips hold 7/16" screen frame to aluminum window channel; **bright finish.**

PL-7751



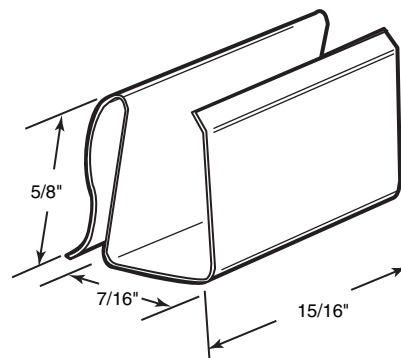
PL-7752

Retainer Clips (Vinyl)

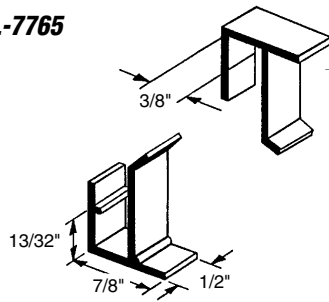
Contents: 6 clips.

Description: Black vinyl clips are used to hold 3/8" and 7/16" screen frame into aluminum window channel.

PL-7752



PL-7765



PL-7765 (4 sets / card)

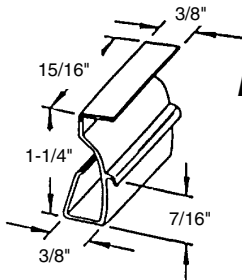
Retainer Clips (Vinyl)

Contents: Sets of top and bottom clips.

Description: Black vinyl clips hold screen frame into sliding window frame channel; used by H&D Industries for 7/16" frame.

Note: very popular in the Northwest.

PL-7753



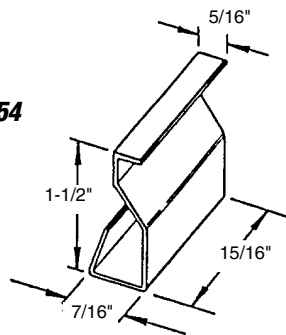
PL-7753

Lift & Retainer Clips (Vinyl)

Contents: 6 clips.

Description: Black vinyl clips used to hold 3/8" screen frame into aluminum window channel; lift tab assists in screen removal.

PL-7754



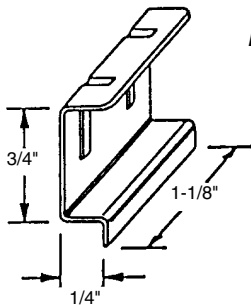
PL-7754

Lift Tabs (Vinyl)

Contents: 6 clips.

Description: Black vinyl lift tab used to aid in removal of 7/16" window screen from window frame.

PL-7755



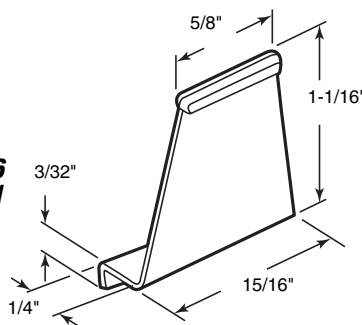
PL-7755

Lift Tabs (Metal)

Contents: 6 clips.

Description: Stamped aluminum lift tab is installed in spline channel to aid in removal of window screen from window frame.

**PL-7756
PL-7921**



PL-7756 (White)

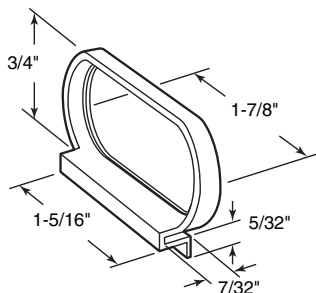
PL-7921 (Black)

Lift Tabs (Plastic)

Contents: 6 clips.

Description: Plastic lift tab is installed in spline channel to aid in removal of window screen from window frame.

PL-8035



PL-8035 (Black)

Lift Tabs (Plastic)

Contents: 6 clips.

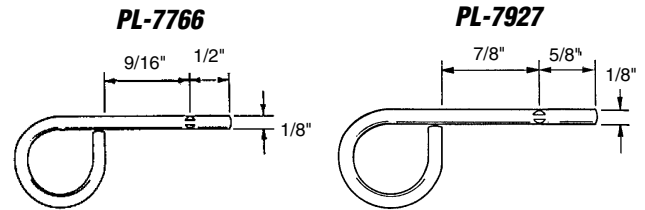
Description: Plastic lift tab may be installed in most sizes of spline channel to aid in removal of window screen from window frame.

PL-7766 (For 3/4" frame)
PL-7927 (For 1" frame)

Lock Pins

Contents: 6 pins.

Description: Plated steel pin used to secure window screens to sliding aluminum windows.

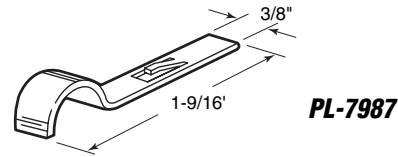


PL-7987 (For 3/4" frame)

Slide Locks

Contents: 6 locks.

Description: Stamped aluminum locks used to attach window screens to aluminum window channel.



PL-7760 (Mill finish)
PL-7846 (Bronze finish)
PL-7847 (White finish)
PL-7849 (Gray finish)

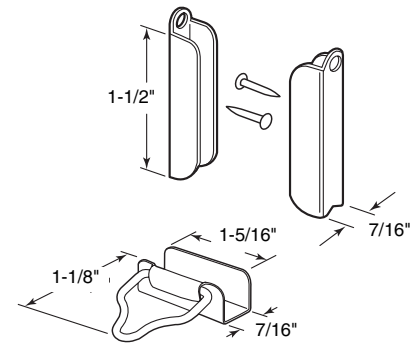
Hanger and Latches

Contents: 4 top hangers; 2 bottom latches; 2 ball head screws.

Description: Stamped aluminum hardware used to install 7/16" thick window screens to wood framed windows.

See Nail Set Tool P-7921 on page PL-17.

PL-7760
PL-7846
PL-7847
PL-7849



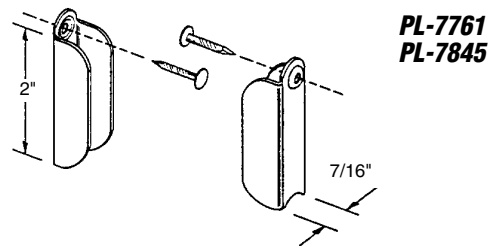
PL-7761 (Mill finish)
PL-7845 (White finish)

Top Hangers

Contents: 6 hangers; 6 nails.

Description: Stamped aluminum hangers nail into top corners of wood window frame; used to hold 7/16" thick frame to window frame.

See Nail Set Tool P-7921 on page PL-17.



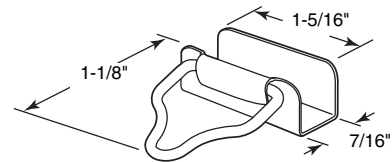
PL-7762 (Mill finish)

Bottom Latches

Contents: 4 latches; 4 ball head screws.

Description: Stamped aluminum latches slip-on to bottom of 7/16" thick frame; used to hold bottom of window screen to wood window sill.

PL-7762

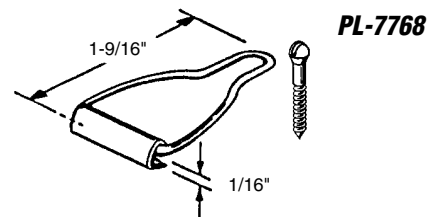


PL-7768 (Mill finish)

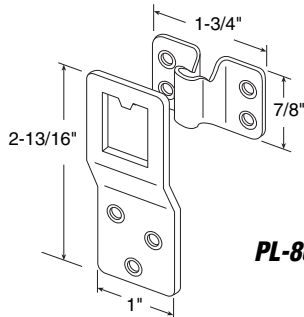
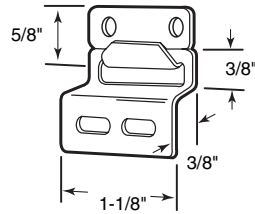
Bottom Latches

Contents: 4 latches; 4 ball head screws.

Description: Stamped aluminum latch is installed into spline channel of window screen; used to hold bottom of screen to wood framed window sill.

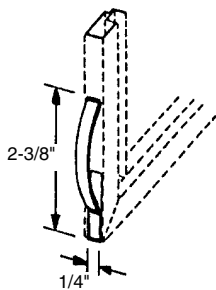
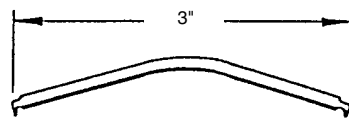


PL-8006



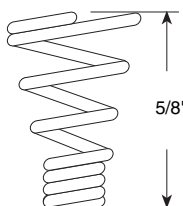
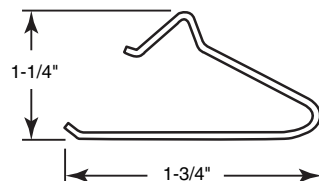
PL-8007

PL-7758



PL-7776

PL-7759



PL-7922

PL-8006

Top Hangers

Contents: 4 hooks; 4 keepers; 4 sets of installation screws.

Description: Stamped aluminum hardware; used on wood framed windows; top mounted; hooks mount to window frame and keepers mount to screen frame.

PL-8007

Top Hangers

Contents: 2 hooks; 2 keepers; 2 sets of installation screws.

Description: Plated steel hardware; used on wood framed windows; top mounted; hooks mount to window frame and keepers mount to screen frame.

PL-7758

Tension Springs

Contents: 6 springs.

Description: Heat treated steel springs hold window screen into sliding aluminum window channels. Requires (2) 3/16" holes drilled 3-3/16" apart.

PL-7776

Tension Springs

Contents: 6 springs.

Description: Heat treated steel tension springs hold window screens into sliding aluminum window screen channels. Slips into corner of 5/16", 3/8" and 7/16" frame. No tools required.

PL-7759

Tension Springs

Contents: 12 springs.

Description: Plated steel spring wire; designed to hold window screens into sliding aluminum window screen channels.

PL-7922

Tension Springs

Contents: 6 springs.

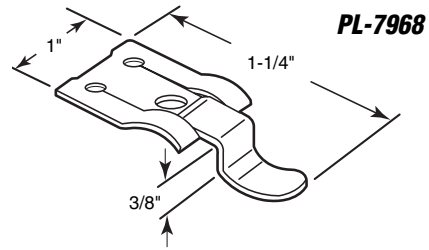
Description: Heat treated steel tension springs hold window screens into sliding aluminum window screen channel. Spring threads into a 1/8" hole.

PL-7968

Storm Panel Clips

Contents: 4 clips.

Description: Heat treated steel designed for holding storm windows or window screen panels in place; snap open or closed.

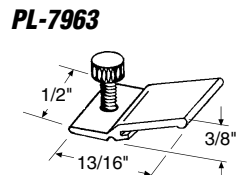
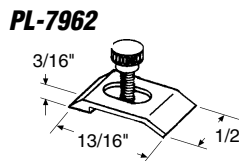
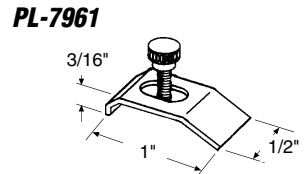
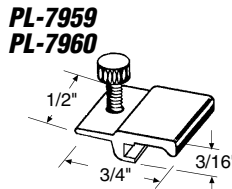
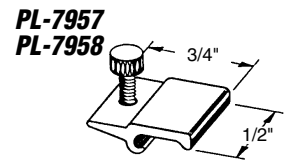
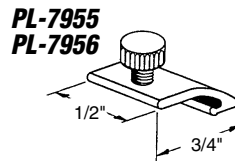
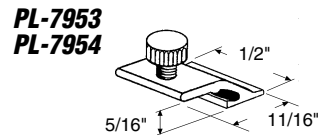
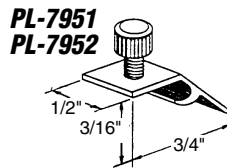
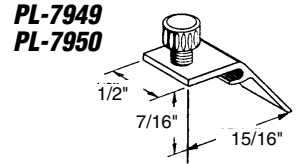
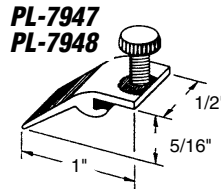
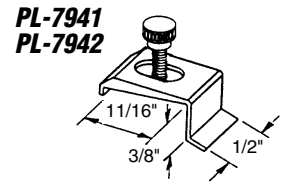
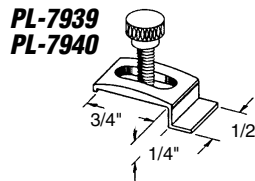
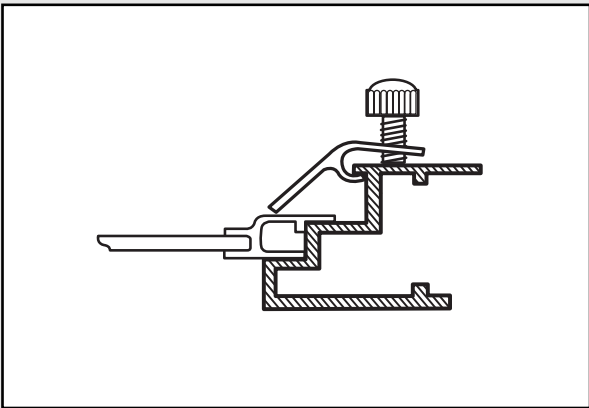


Storm Panel Clips (Extruded Aluminum)

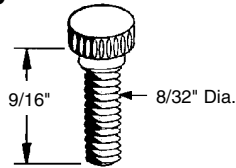
Contents: 8 clips with installation screws.

Mill	White
PL-7939	PL-7940
PL-7941	PL-7942
PL-7947	PL-7948
PL-7949	PL-7950
PL-7951	PL-7952
PL-7953	PL-7954
PL-7955	PL-7956
PL-7957	PL-7958
PL-7959	PL-7960
PL-7961	-
PL-7962	-
PL-7963	-

Description: Extruded aluminum clips attach storm windows or screen panels to storm door frame with thumbscrew.



PL-7945
PL-7946



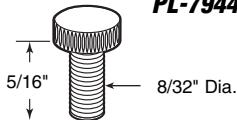
PL-7945 (Mill finish)
PL-7946 (White finish)

Storm Panel Thumbscrews

Contents: (8) no. 8-32 x 9/16" thumbscrews.

Description: Aluminum thumbscrews used with storm door panel clips.

PL-7943
PL-7944



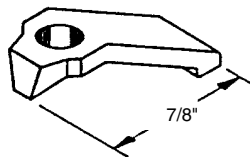
PL-7943 (Mill finish)
PL-7944 (Nylon)

Storm Panel Thumbscrews

Contents: (8) no. 8-32 x 5/16" thumbscrews.

Description: Thumbscrews used with storm panel clips.

PL-7965



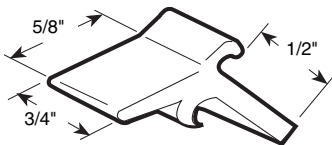
PL-7965

Storm Panel Clips

Contents: 8 clips.

Description: Aluminum turn button; used to attach storm window panels to storm doors.

PL-7964



PL-7964 (Nylon)

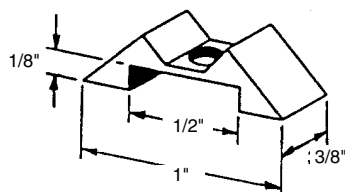
Storm Panel Clips

Contents: 8 clips.

Description: Self locking storm window panel clips.

*Call for
Availability*

PL-7966



PL-7966

Storm Panel Turn Buttons

Contents: 8 turn buttons.

Description: Aluminum turn button; used to attach storm window panels to storm doors.

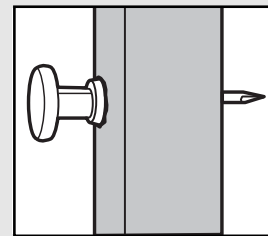
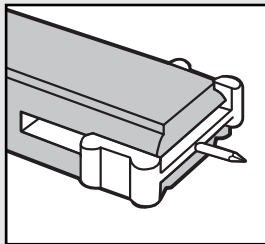
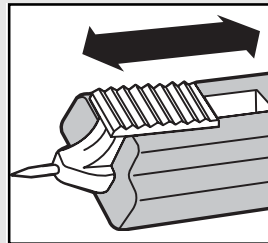
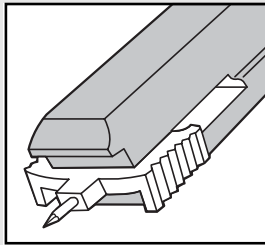
Window Grid Retainers

Contents: 6 retainers.

Part #	Fits Grille Bar Width
PL-7976	3/8"
PL-7977	5/8"
PL-7981	7/8"
PL-7978	5/8"
PL-7979	1/2"
PL-7982	1"
PL-7980	7/8"
PL-7983	
PL-7988	
PL-7989	

Description: Clear plastic grid retainer with 1/4" steel pin projection; used to secure decorative window grid in place, some retainers include retainer sleeves.

All grid retainers are available in bulk quantities.



PL-7984

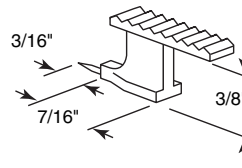
Window Grid Retainer

Contents: 6 retainers.

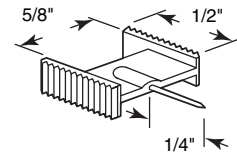
Description: Clear plastic grid retainer with plastic pin; used to secure decorative window grids in place.

Call for
Availability

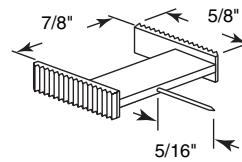
PL-7976



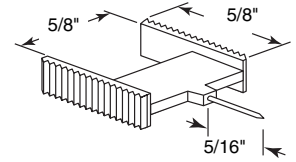
PL-7977



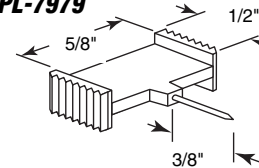
PL-7981



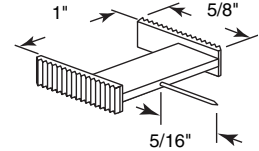
PL-7978



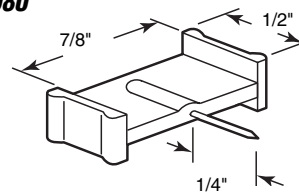
PL-7979



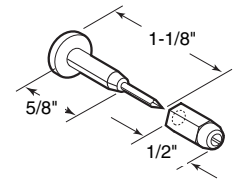
PL-7982



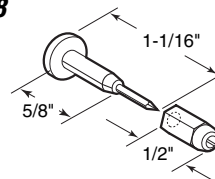
PL-7980



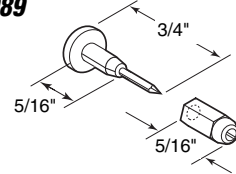
PL-7983



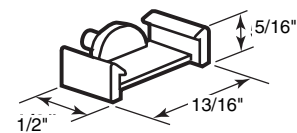
PL-7988

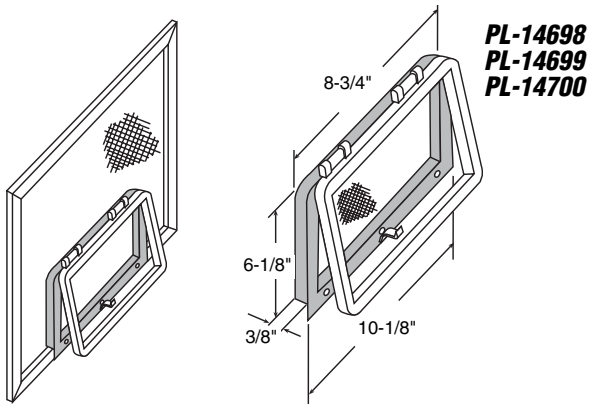


PL-7989



PL-7984



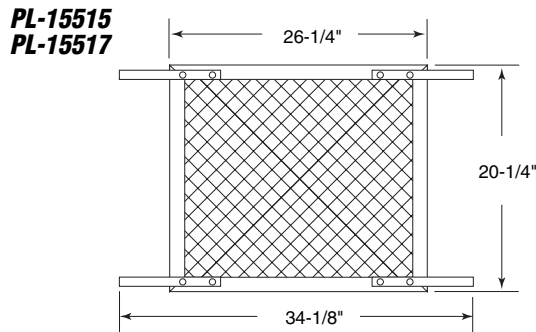


PL-14698 (Gray)
PL-14699 (Bronze)
PL-14700 (White)

Plastic Wickets

Contents: 1 wicket; 60" coil of spline; 1 set of installation screws.

Description: Allows access to awning or casement window operators thru an inside window screen; install to existing window screen with minimum width of 12".

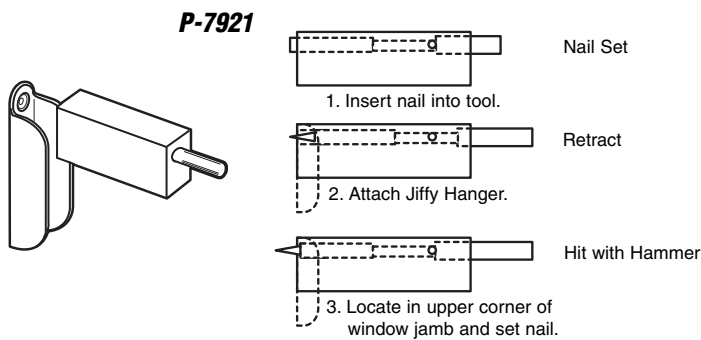


PL-15515 (Gray)
PL-15517 (White)

Plastic Screen/Storm Door Grilles

Contents: 1 grille; 1 set of installation screws.

Description: Molded plastic grille fits most swinging door applications; helps prevent screen or glass damage; easy to install.



P-7921

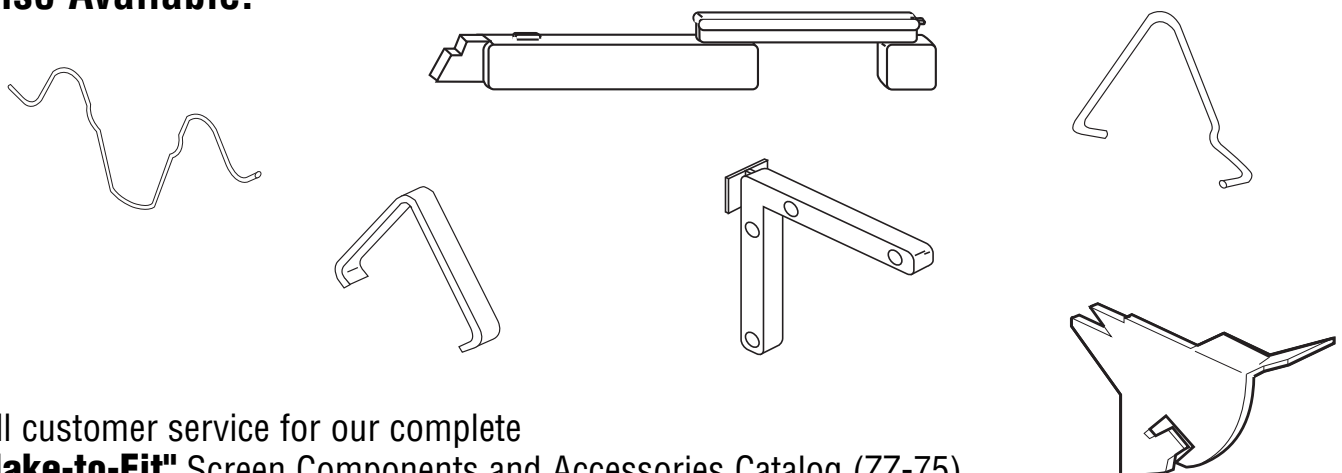
Nail Set

Contents: 1 nail set.

Description: Cadmium plated steel; makes installation of top hangers for 7/16" window screen a real snap. Driver retracts to hold nail; nail set housing slips into channel of top hanger; locate hanger to upper corner of wood window frame, then tap driver with hammer to secure hanger.

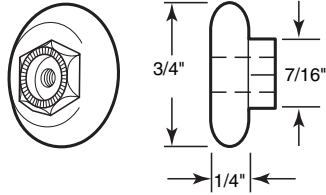
Note: For installing PL-7760, PL-7761, PL-7845, PL-7846, PL-7847 & PL-7849.

Also Available:



Call customer service for our complete
"Make-to-Fit" Screen Components and Accessories Catalog (ZZ-75).

1901-A
192065

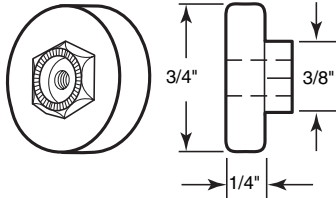


1901-A (2 per card)
192065 (4 per card)

Roller (Oval edge)

Contents: Rollers with no. 8-32 x 3/8" Phillips binder head machine screws.

Description: Nylon ball bearing roller with threaded hex hub.



1901-B
192066

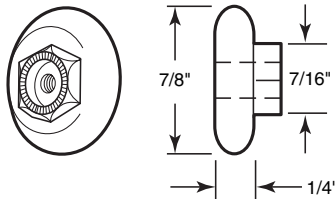
1901-B (2 per card)
192066 (4 per card)

Roller (Flat edge)

Contents: Rollers with no. 8-32 x 3/8" Phillips binder head machine screws.

Description: Nylon ball bearing roller with threaded hex hub.

1901
192067

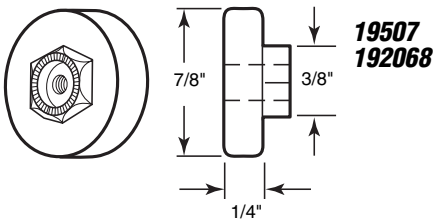


1901 (2 per card)
192067 (4 per card)

Roller (Oval edge)

Contents: Rollers with no. 8-32 x 3/8" Phillips binder head machine screws.

Description: Nylon ball bearing roller with threaded hex hub.



19507
192068

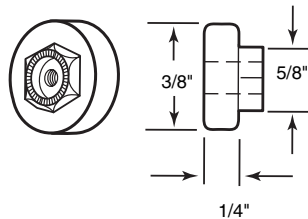
19507 (2 per card)
192068 (4 per card)

Roller (Flat edge)

Contents: Rollers with no. 8-32 x 3/8" Phillips binder head machine screws.

Description: Nylon ball bearing roller with threaded hex hub.

191239

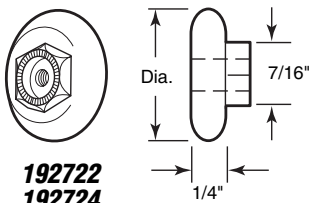


191239

Roller (Flat edge)

Contents: 2 rollers; 2 no. 8-32 x 3/8" Phillips binder head machine screws.

Description: Nylon ball bearing roller with threaded hex hub.



192722
192724

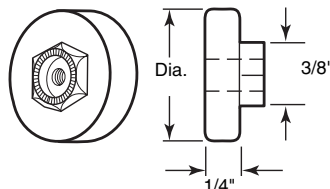
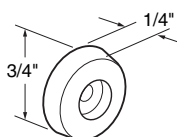
192723
192725

192722 (3/4" oval edge)
192723 (3/4" flat)
192724 (7/8" oval edge)
192725 (7/8" flat)

Roller & Bumper

Contents: 2 rollers; 1 bumper; installation screws.

Description: Solid brass inner race with stainless steel ball bearings; threaded hex hub; clear vinyl bumper.



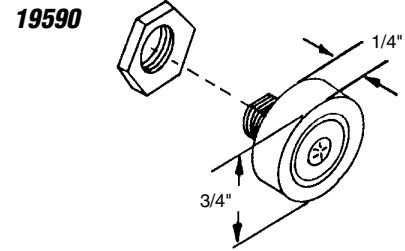
19590

Roller (Flat edge)

Contents: 2 rollers; 2 hex nuts.

Description: Nylon ball bearing roller; 5/16" threaded stud; used on sliding shower doors.

You may also wish to stock these related parts: **19306**.



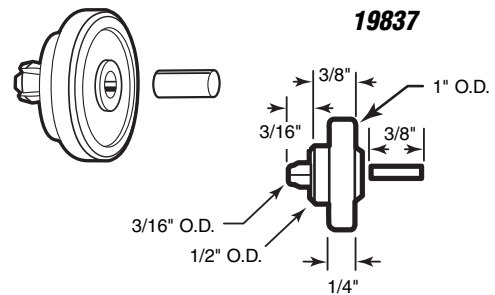
19837 (Nylon)

Roller (Flat edge)

Contents: 2 rollers; 2 drive pins.

Description: Drive-in pin secures expandable axle to pre-drilled hole in door.

You may also wish to stock these related parts: **191682**.

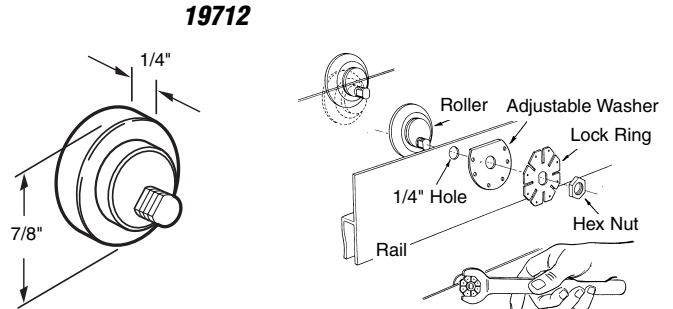


19712

Roller (Flat edge)

Contents: 2 rollers; 2 washers; 2 lock rings; 2 ea. 1/4"-32 hex nuts.

Description: Nylon roller; 8 position, top hung adjustable assembly (adjustments may be made after panel is installed); fits on *American Shower Door*.



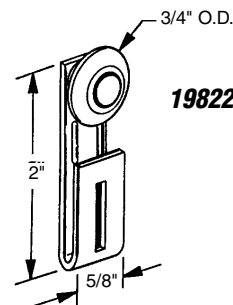
19822

Roller Assembly

Contents: 2 roller assemblies; 2 no. 10-32 x 3/4" Phillips pan head machine screws; 2 no. 10-32 square nuts.

Description: Nylon ball bearing oval edge roller; aluminum bracket; top hung; adjustable (adjustment can be made without removing panel); fits on *International* doors.

You may also wish to stock these related parts: **191682**.



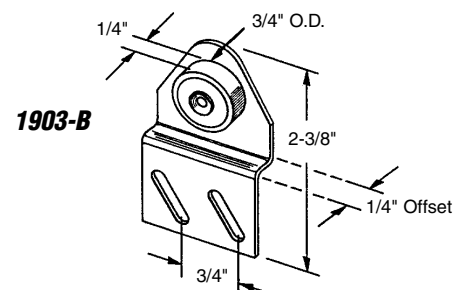
1903-B

Roller Assembly

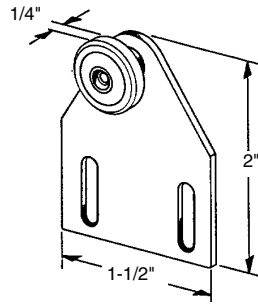
Contents: 2 roller assemblies; 2 sets of installation screws.

Description: Flat edge nylon ball bearing roller; top hung; adjustable offset bracket.

You may also wish to stock these related parts: **1901-B, 19145**.



1903-A
193029
1903



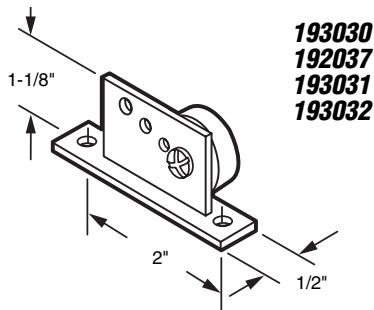
1903-A (3/4" flat edge ball bearing roller)
193029 (3/4" oval edge ball bearing roller)
1903 (7/8" flat edge roller)

Roller Assembly

Contents: 2 roller assemblies; 2 sets of installation screws.

Description: Nylon roller; stamped aluminum bracket; top hung; adjustable.

You may also wish to stock these related parts: **19145, 1901-B.**



193030
192037
193031
193032

193030 (3/4" oval edge roller)
192037 (3/4" flat edge roller)
193031 (7/8" oval edge roller)
193032 (7/8" flat edge roller)

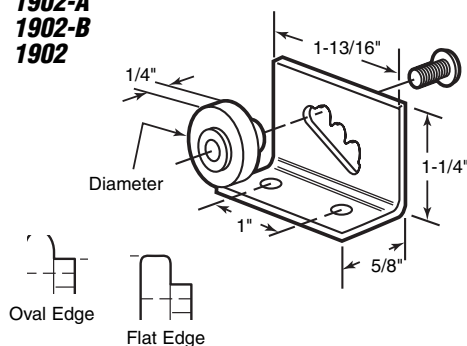
Door Roller Bracket

Contents: 2 roller assemblies; 2 sets of installation screws.

Description: Nylon ball bearing roller; aluminum bracket; top hung; adjustable; used by several shower door and tub enclosure manufacturers.

You may also wish to stock these related parts: **1901-A, 1901-B, 1901, 19507.**

1902-A
1902-B
1902



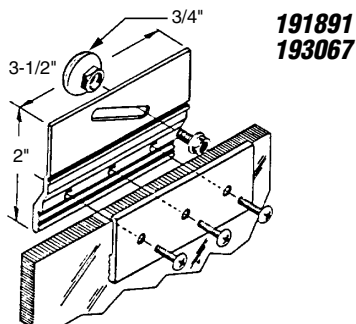
1902-A (3/4" oval edge roller)
1902-B (3/4" flat edge roller)
1902 (7/8" oval edge roller)

Roller Assembly

Contents: 2 roller assemblies; 2 sets of installation screws.

Description: Stamped steel bracket; nylon ball bearing roller; top hung; adjustable.

You may also wish to stock these related parts: **1901-A, 1901-B, 1901.**



191891
193067

191891 (Chrome finish)
193067 (Brite brass finish)

Roller Assembly

Contents: 2 roller assemblies; 2 sets of installation screws.

Description: Extruded aluminum bracket with glazing vinyl; 3/4" diameter oval edge nylon ball bearing roller; accepts up to 1/4" thick panels; used on frameless shower doors.

You may also wish to stock these related parts: **1901-A, 193057, 191215.**

191231

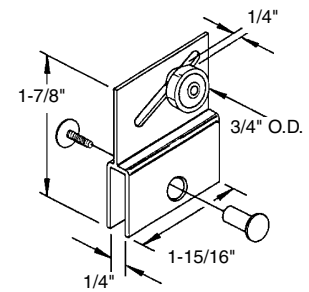
Roller Assembly

Contents: 2 roller assemblies; 2 sets of installation screws.

Description: Extruded aluminum bracket; 3/4" diameter, flat edge, nylon ball bearing roller; thru-glass 1/4" binder post; used on frameless shower doors.

You may also wish to stock these related parts: **1901-B**.

191231



191687

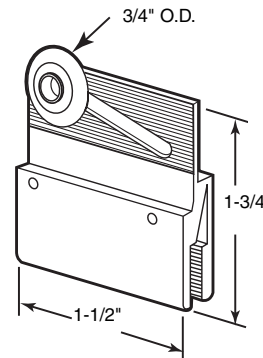
Roller Assembly

Contents: 2 rollers assemblies.

Description: Extruded aluminum brackets 3/4" diameter, oval edge, nylon ball bearing roller; used on frameless shower doors.

You may also wish to stock these related part: **1901-A**.

191687



193085

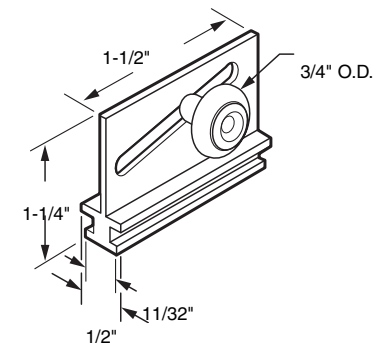
Roller Assembly

Contents: 1 roller assembly.

Description: Extruded aluminum bracket; 3/4" diameter, oval edge, nylon ball bearing roller; top hung; adjustable; fits on *Workright Products*.

You may also wish to stock these related parts: **1901-A**, **193086**.

193085



191768

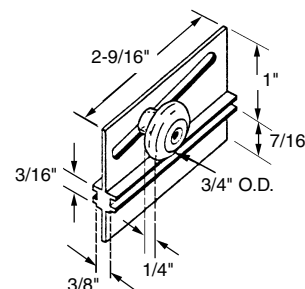
Roller Assembly

Contents: 2 rollers assemblies.

Description: Extruded aluminum bracket; oval edge nylon ball bearing roller; top hung; adjustable; fits on *Premier*.

You may also wish to stock these related parts: **1901-A**.

191768



19306

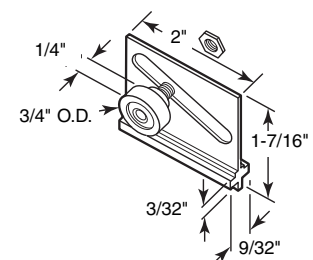
Roller Assembly

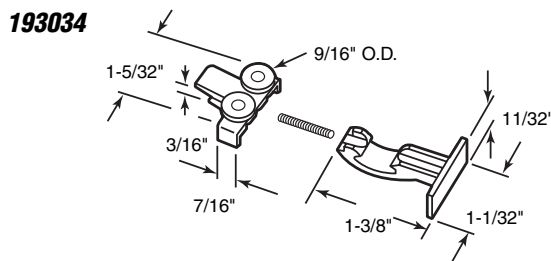
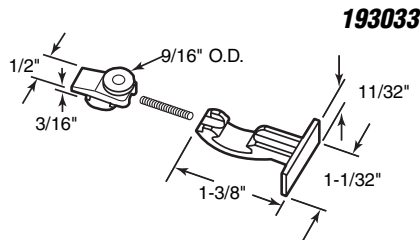
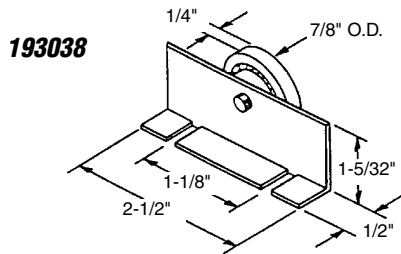
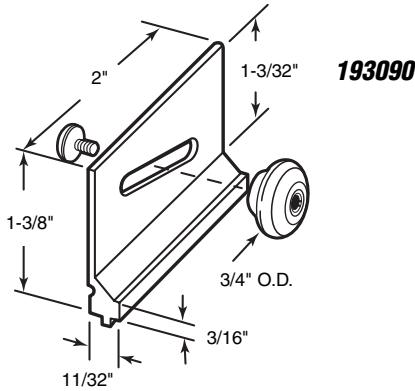
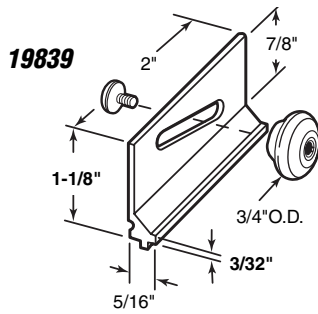
Contents: 2 roller assemblies.

Description: Extruded aluminum bracket; flat edge nylon ball bearing roller; top hung; adjustable; fits on *Ador/ Hilite*.

You may wish to stock these related parts: **1901-B**.

19306





Call for
Availability

19839

Roller Assembly

Contents: 2 roller assemblies.

Description: Extruded aluminum bracket; oval edge nylon ball bearing roller; top hung; adjustable; fits on *Bath Co Shower Door*.

You may also wish to stock these related parts: 1901-A, 193049, 193052, 193090.

193090

Roller Assembly

Contents: 2 roller assemblies.

Description: Extruded aluminum bracket; oval edge nylon ball bearing roller; top hung; adjustable; fits on *Bath Co Shower Door*.

You may also wish to stock these related parts: 1901-A, 193049, 193052, 193090.

193038

Roller And Bracket

Contents: 2 roller and bracket assemblies; 1 set of installation screws.

Description: Stamped aluminum bracket; 7/8" flat edge nylon ball bearing roller; top mounting; 1-1/8" hole centers.

193033

Guide Roller Assembly

Contents: 2 roller assemblies.

Description: Nylon guide bracket; spring loaded; used top and bottom on leading-edge of sliding sectional doors.

You may wish to stock these related parts: 193034, 193035, 191767, 193036.

193034

Guide Roller Assembly

Contents: 2 roller assemblies.

Description: Nylon guide bracket; spring loaded; used top and bottom on mid-panels of sliding sectional doors.

You may wish to stock these related parts: 193035, 191767, 193036.

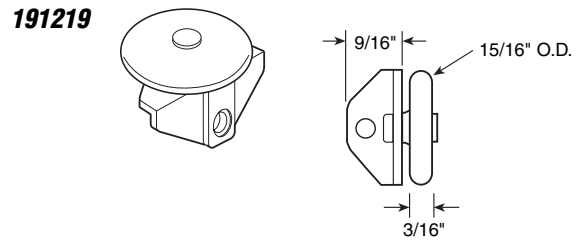
191219

Guide Roller Assembly

Contents: 2 roller assemblies.

Description: Nylon assembly serves as both door roller and guide; fits on *Tubmaster* folding doors.

You may wish to stock these related parts: **191220**.



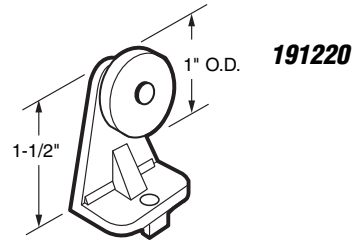
191220

Guide Roller Assembly

Contents: 2 roller assemblies.

Description: Nylon assembly serves as a top hung door roller; fits on *Tubmaster* bi-passing doors.

You may wish to stock these related parts: **191219**



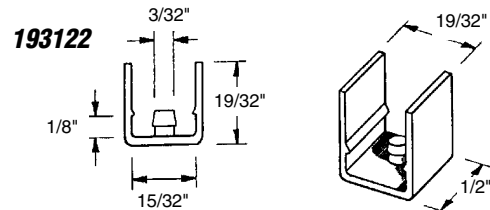
193122

Bottom Guide

Contents: 2 guides.

Description: Nylon guide for sliding tub enclosure doors; fits directly onto door frame bottom; normal installation is 2 per door; snap-in design.

*Call for
Availability*

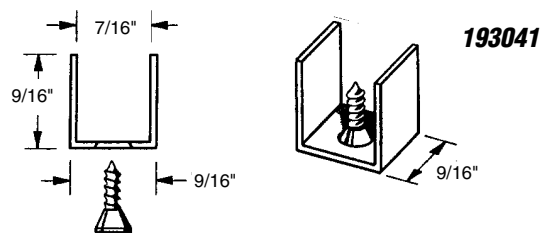


193041

Bottom Guide

Contents: 2 guides; 2 installation screws.

Description: Nylon guide for sliding tub enclosure doors; fits directly onto door frame bottom; normal installation is 2 per door.



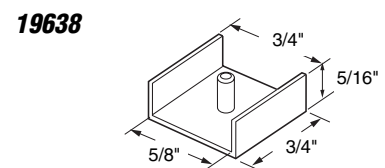
19638

Bottom Guide

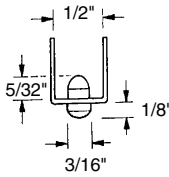
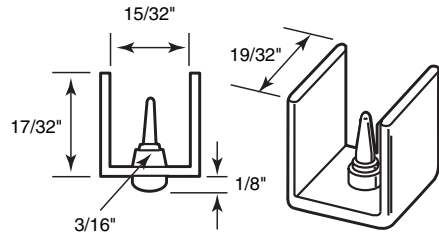
Contents: 2 guides.

Description: Nylon guide for sliding tub enclosure doors; fits 1/2\"/>

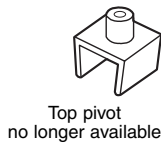
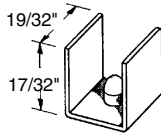
You may also wish to stock these related parts: **191849**.



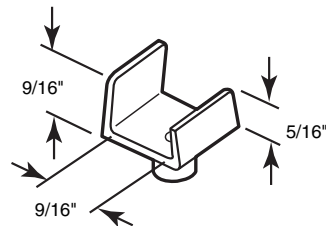
193040



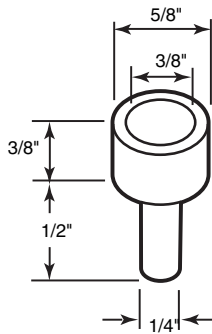
193039



Top pivot
no longer available

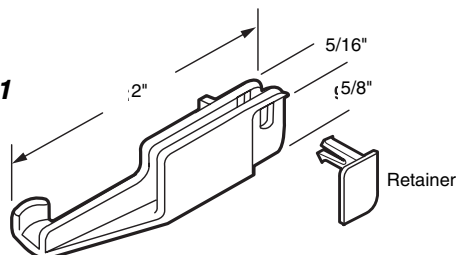


19659



19706

193051



193040

Bottom Guide

Contents: 2 guides.

Description: Nylon guide for sliding tub enclosure doors; fits directly onto door frame bottom; normal installation is 2 per door; snap-in design.

193039

Bottom Guide

Contents: 2 guides.

Description: Nylon guide for sliding tub enclosure doors; fits directly onto door frame bottom; normal installation is 2 per door; snap-in design.

19659

Bottom Pivot

Contents: 1 bottom pivot.

Description: Nylon pivot, used on swinging shower doors; fits 9/16" thick frame.

You may wish to stock these related parts: **1932, 19145.**

19706

Pivot

Contents: 2 pivots.

Description: Nylon top and bottom pivot for swinging shower doors; fits a 1/4" hole.

You may wish to stock these related parts: **19660.**

Call for
Availability

193051

Bottom Guide

Contents: 2 guides; 2 retainers.

Description: Nylon bottom guide and retainer for shower doors; fits on *Kinhead* and *Sterling*.

Shower Door Hardware

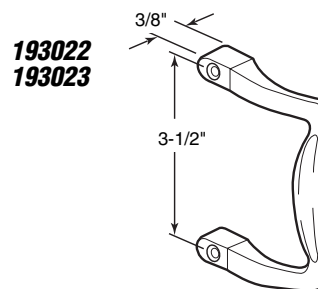
193022 (Chrome finish)

193023 (Brass finish)

Pull Handle (Inside)

Contents: 1 handle; 1 set of installation screws.

Description: Plated diecast handles for sliding or swinging, shower and tub enclosure doors.



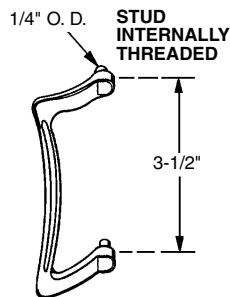
193024 (Chrome finish)

193025 (Brass finish)

Pull Handle (Outside)

Contents: 1 handle; 1 set of installation screws.

Description: Plated diecast handles for sliding or swinging, shower and tub enclosure doors.



19145 (Chrome finish)

19145-20 (Brass finish)

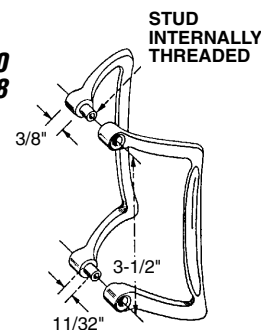
19145-88 (Antique brass finish)

Handle Set

Contents: 1 handle set with installation screws.

Description: Plated diecast handle set for hinged shower doors and sliding tub enclosure doors.

19145
19145-20
19145-88



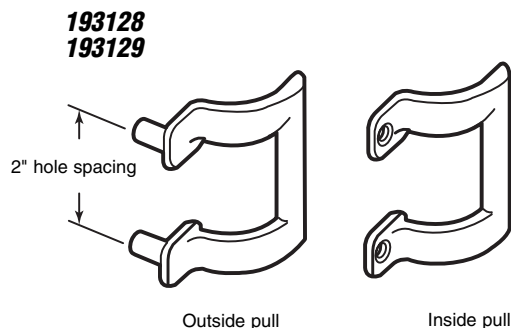
193128 (Chrome plated)

193129 (Brass plated)

Handle Set

Contents: 1 handle set with installation screws.

Description: Plated diecast handles; outside handle with threaded studs and inside handle with holes; supplied with stainless steel machine screws.



193036

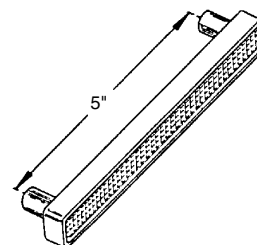
Pull Handle

Contents: 1 handle.

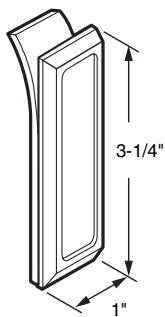
Description: White vinyl handle is used on both sliding and swinging shower doors; 5" hole centers.

You may also wish to stock these related parts: **193033**, **193034**, **193035**, **191767**.

193036



191928



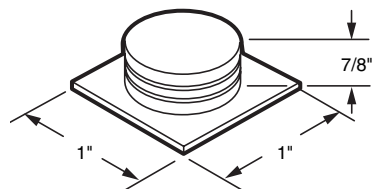
191928

Pull

Contents: 2 door pulls.

Description: Clear acrylic; self adhesive; commonly used on sliding medicine cabinet or mirrored doors.

You may also wish to stock these related parts: **193126**.



193126

193126

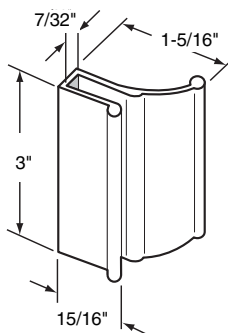
Pull

Contents: 1 pull.

Description: Clear acrylic pull; self adhesive; used on cabinet, shower and tub enclosure sliding doors.

You may also wish to stock these related parts: **191928**.

193084

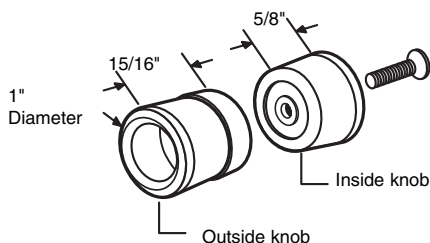


193084 (Chrome finish)

Pull Handle

Contents: 1 handle.

Description: Extruded aluminum; accepts a 3/16" glass panel; use with a clear silicone sealant; used by several tub enclosure manufacturers.



191215

191215 (Chrome finish)

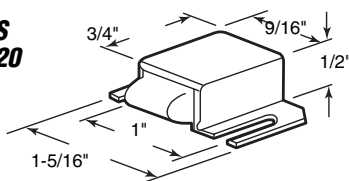
Finger Pull

Contents: 1 inside pull; 1 outside pull; 1 spacer ring; 1 installation screw.

Description: Diecast knobs with vinyl grips; requires a 3/8" hole in glass.

You may wish to stock these related parts: **193057, 191216**.

1932
1932-S
1932-20



1932 (Nylon tip - stainless steel housing)

1932-S (Stainless steel tip - stainless steel housing)

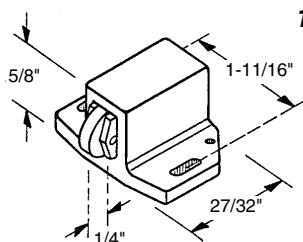
1932-20 (Nylon tip - brass finish housing)

Shower Door Catch

Contents: 1 latch assembly; 2 no. 8x3/8" Phillips binder head sheet metal screws.

Description: Spring loaded latch; adjustable; for hinged shower doors.

193042



193042

Catch

Contents: 1 catch; 1 set of installation screws.

Description: All nylon catch has spring loaded strike roller; heavy duty construction; universal application.

You may also wish to stock these related parts: **19859, 193036**.

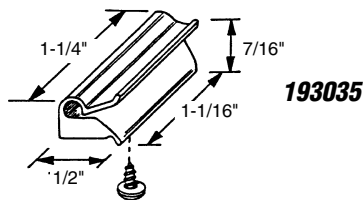
193035

Friction Catch

Contents: 1 catch; 1 installation screw.

Description: White nylon catch; friction operated.

You may also wish to stock these related parts: **193033**, **193034**, **191767**, **193036**.



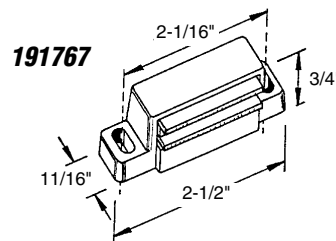
191767

Magnetic Catch

Contents: 1 catch; 1 set of installation screws.

Description: White plastic housing; dual magnetic inserts; holds swinging shower doors closed; heavy duty construction.

You may also wish to stock these related parts: **193036**.



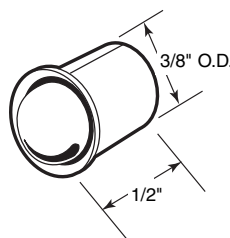
193043

Bullet Catch

Contents: 2 catches.

Description: Nickel plated steel; spring loaded bullet style catch.

You may also wish to stock these related parts: **19200**, **19145**.



191450

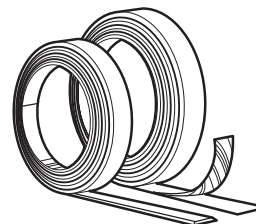
Magnetic Retainer Strip

Contents: 1 set (6' strip).

Description: Opposite-attracting, self-adhesive magnetic strips install along edge of shower door to hold it closed; eliminates the need for a catch; will not corrode; can be cut to desired size.

You may also wish to stock these related parts: **193036**.

191450



19200 (36" per card)

19200-100 (100' per roll)

Sweep

Contents: Sweep.

Description: 1-1/2" flat gray vinyl; for use on hinged shower doors.

You may also wish to stock these related parts: **19379**, **19145**.



19200
19200-100

19859 (36" per card)

19859-100 (100' per roll)

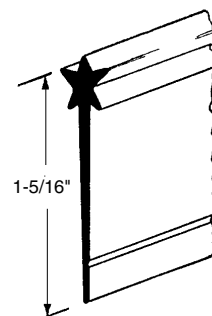
Sweep

Contents: Sweep.

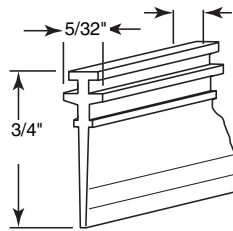
Description: "Star tip" gray vinyl; for use on hinged shower doors.

You may also wish to stock these related parts: **1932**, **19145**.

19859
19859-100



19672



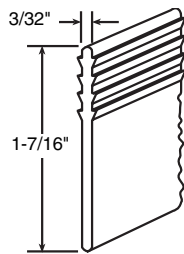
19672

Sweep

Contents: 1 - 36" sweep.

Description: Gray vinyl sweep, for use on hinged shower doors.

You may wish to stock these related parts: **19660**.



19685

19685

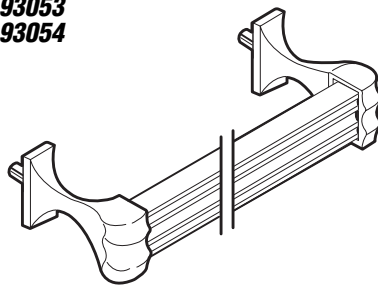
Sweep

Contents: 1 - 36" sweep.

Description: Heavy gauge gray vinyl sweep, for use on hinged shower doors.

You may wish to stock these related parts: **193081**.

193053
193054



193053 (Chrome finish)

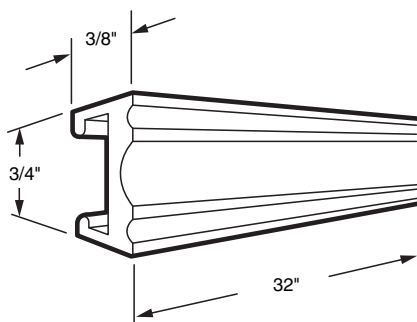
193054 (Brass finish)

Towel Bar Assembly

Contents: 1 - 32" towel bar; 1 set of brackets; 1 set of installation screws.

Description: 3/8" x 3/4" extruded aluminum bar; diecast bracket; universal design; used on both shower and tub enclosure doors.

You may wish to stock these related parts: **1932**, **193028**.



19667-40
19667-20
19667-41
19667-3

19667-40 (Chrome finish)

19667-20 (Brass finish)

19667-41 (Satin anodized)

19667-3 (Satin brass finish)

Towel Bar

Contents: 1 - 32" towel bar.

Description: 3/8" x 3/4" extruded aluminum bar; traditional design.

You may wish to stock these related parts: **19508**, **19508-20**, **19799**, **19799-20**.

Shower Door Hardware

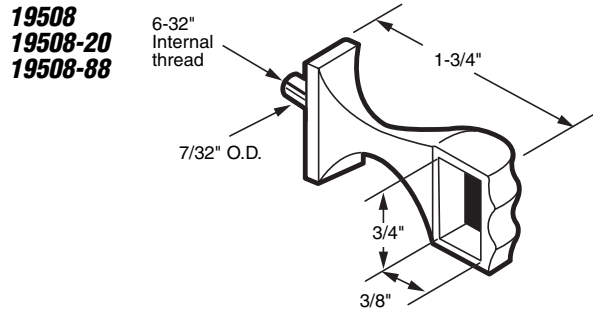
- 19508** (Chrome finish)
- 19508-20** (Brass finish)
- 19508-88** (Antique brass finish)

Towel Bar Bracket

Contents: 2 brackets; 2 installation screws.

Description: Plated diecast bracket with stud; accepts a 3/8" x 3/4" towel bar; used on both shower and tub enclosure doors.

You may wish to stock these related parts: **19667-40, 19667-20, 19667-41, 19667-3.**



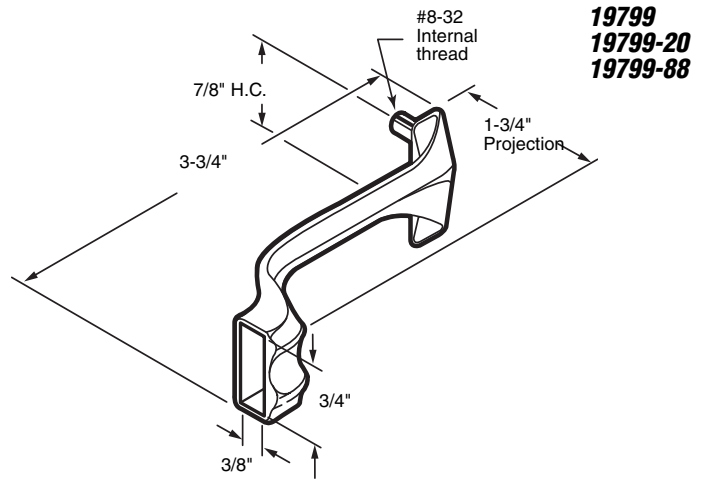
- 19799** (Chrome finish)
- 19799-20** (Brass finish)
- 19799-88** (Bronze finish)

Towel Bar Bracket

Contents: 2 brackets with installation screws.

Description: Plated diecast construction; bracket accepts a 3/8" x 3/4" towel bar; offset bracket allows door to open back against adjoining wall.

You may wish to stock these related parts: **19667-40, 19667-20, 19667-41, 19667-3.**



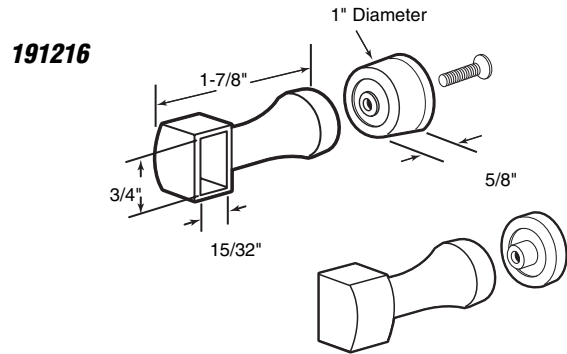
- 191216** (Chrome finish)

Towel Bar Bracket and Finger Pull

Contents: 2 towel bar brackets; 1 finger pull; 2 spacer rings; 1 screw shield; 1 set of installation screws.

Description: Plated diecast construction; brackets require 3/8" holes for installation and accepts a 7/16" x 11/16" towel bar.

You may wish to stock these related parts: **191215.**

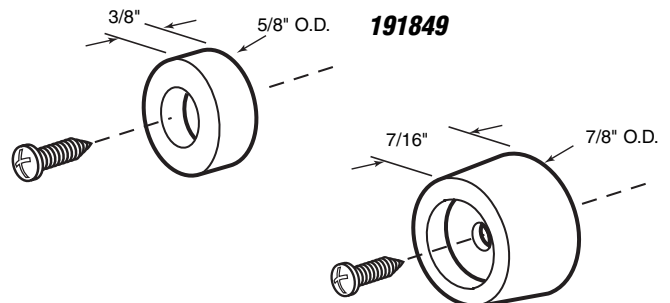


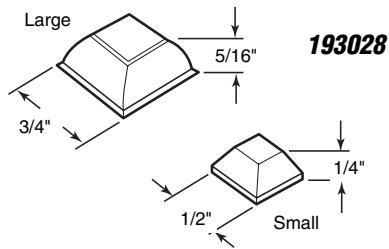
- 191849**

Bumper Assortment

Contents: 4 bumpers (2 large, 2 small); 4 installation screws.

Description: White rubber, anti-slam protective bumpers for sliding shower doors.





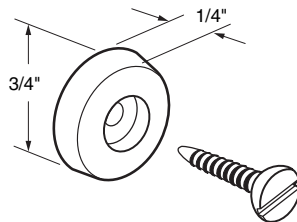
193028

Bumper Assortment

Contents: 4 bumpers (2 large, 2 small).

Description: Anti-slam protective stops; off-white; resilient polyurethane; pressure sensitive adhesive backing; no screws necessary.

19551



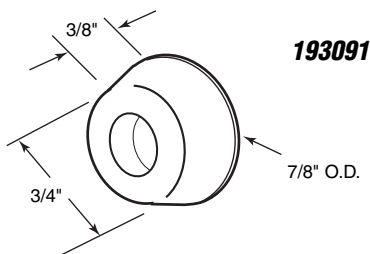
19551

Bumper

Contents: 4 bumpers; 4 installation screws.

Description: Clear vinyl bumpers; for shower and tub enclosure doors; used by several shower door manufacturers.

You may wish to stock these related parts: **1932**.



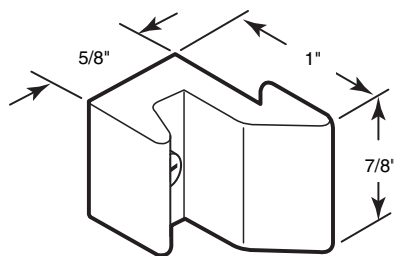
193091

Door Bumper

Contents: 4 bumpers; 4 installation screws.

Description: Clear polyurethane bumper; for shower and tub enclosure doors; used by several shower door manufacturers.

191232

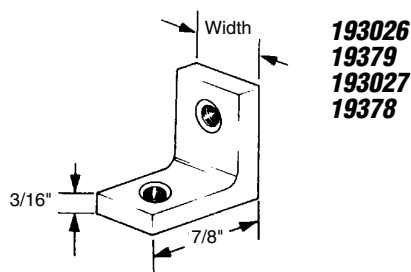


191232

Bumper Guide

Contents: 2 guides; 2 installation fasteners.

Description: Black neoprene bumper-guide; jamb mount; for shower and tub enclosure doors; fits on *Agalite* shower doors.



193026

(5/16" wide)

19379 (5/16" wide - 100 poly-bagged)

193027 (7/16" wide)

19378 (7/16" wide - 100 poly-bagged)

Corner Bracket

Contents: Corners; no. 8-32 x 3/8" Phillips flat head machine screws.

Description: Extruded aluminum corner; pre-drilled and tapped; no. 8-32 thread; used to attach frames together on sliding and hinged shower doors.

Shower Door Hardware

191681 (1 per card)

192972 (2 per card)

Bottom Guide

Contents: Nylon guides.

Description: Nylon bottom guide for sliding tub enclosure doors; fits **7/16" thick door rails**; used by several shower door manufacturers.

You may also wish to stock these related parts: **191680**.

191680 (1 per card)

192971 (2 per card)

Bottom Guide

Contents: Nylon guides.

Description: Nylon bottom guide for sliding tub enclosure doors; fits **7/16" thick door rails**; used by several shower door manufacturers.

You may also wish to stock these related parts: **191681**.

191682

Bottom Guide

Contents: 1 guide.

Description: Nylon bottom guide for sliding tub enclosure doors; fits **1/2" thick door rails**; fits on *International*.

You may also wish to stock these related parts: **19822**.

193050

Bottom Guide

Contents: 2 guides.

Description: Clear nylon sill guide for **frameless shower doors**; designed for **3/16" thick glass**; use on either flat or sloped sills.

You may wish to stock these related parts: **191680**, **191681**, **193049**.

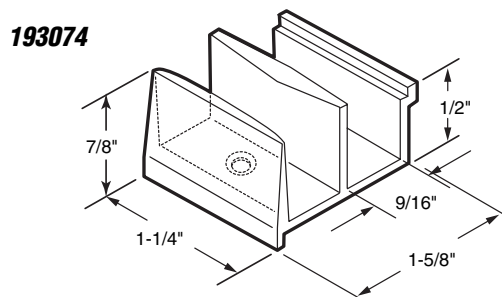
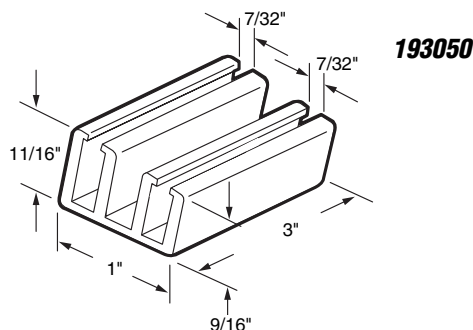
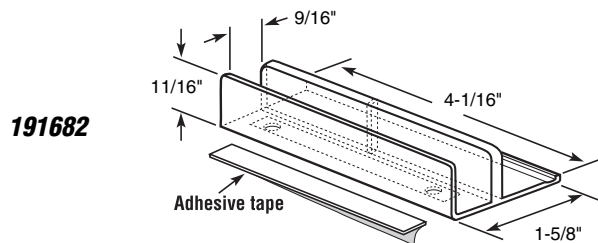
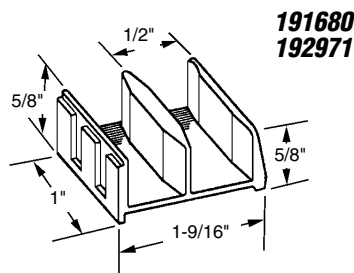
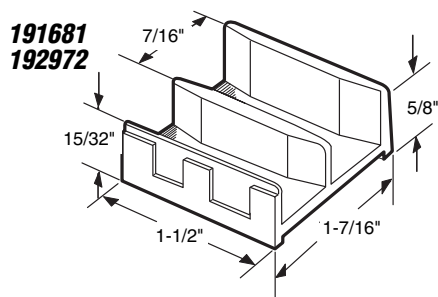
193074

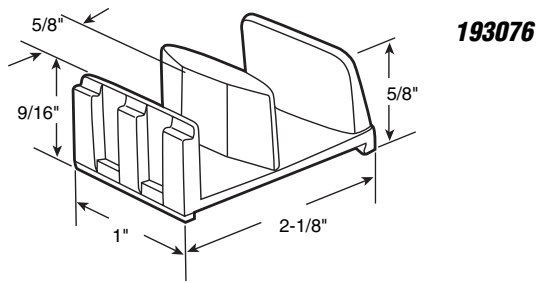
Bottom Guide

Contents: 1 guide.

Description: Clear acrylic bottom guide for sliding tub enclosure doors; fits on *Sterling*.

You may wish to stock these related parts: **193075**.





193076

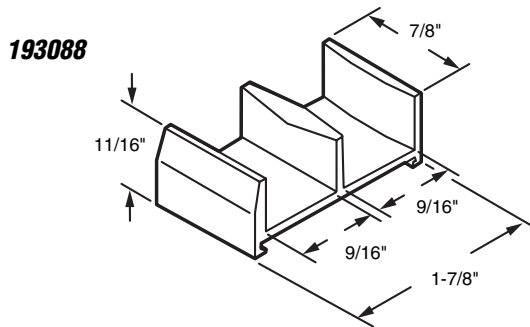
193076

Bottom Guide

Contents: 2 guides.

Description: Nylon bottom guide for sliding tub enclosure doors; fits 1/2" thick door rails; used by several shower door manufacturers.

You may wish to stock these related parts: **191680**.



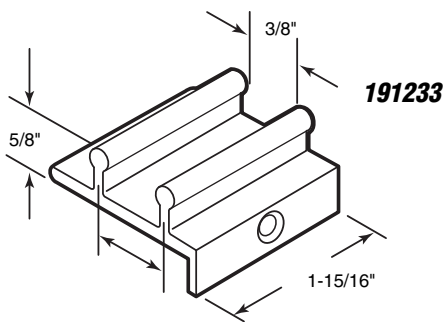
193088

193088

Bottom Guide

Contents: 2 guides.

Description: Nylon guide for sliding tub enclosure doors; fits on *Miller Door*.



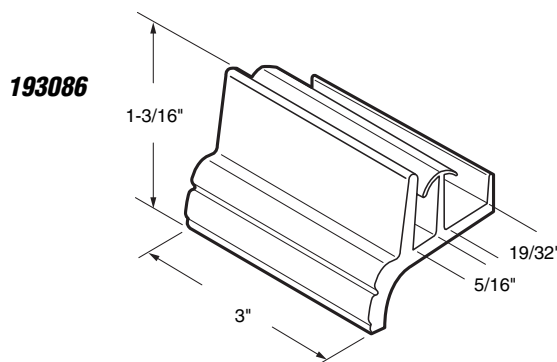
191233

191233

Bottom Guide

Contents: 1 guide with installation screw.

Description: Black rigid nylon guide; secures to frame for proper by-pass door alignment.



193086

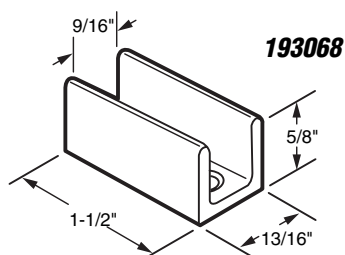
193086

Bottom Guide

Contents: 1 guide.

Description: Gray vinyl guide for sliding tub enclosure doors; flexible center divider allows smooth, rattle-free door movement, fits on *Workright Products*.

You may wish to stock these related parts: **193085**.



193068

193068

Bottom Guide

Contents: 2 guides.

Description: Clear acrylic; bottom guide for frameless shower doors, fits on *Academy Mfg.*

You may wish to stock these related parts: **191961; 193056. 193069, 193070, 193071.**

193069

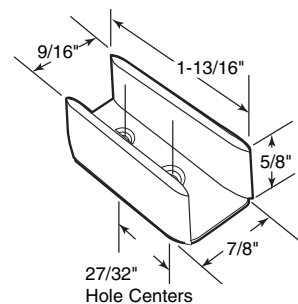
Bottom Guide

Contents: 2 guides.

Description: Clear acrylic; bottom guide for frameless shower doors, fits on *Academy Mfg.*

You may wish to stock these related parts: 191961, 193056, 193068, 193071.

193069



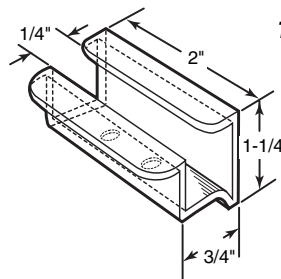
193070

Bottom Guide

Contents: 2 guides.

Description: Clear acrylic guide for frameless shower doors; fits on *Academy Mfg.*

You may wish to stock these related parts: 191961, 193056, 193068, 193069, 193071.



193070

193049

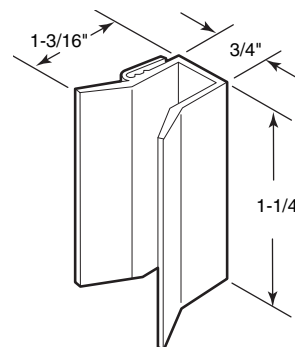
Jamb Guide

Contents: 2 guides.

Description: Nylon; jamb mounted sliding door guide, fits on *Bath Co Shower Doors.*

You may wish to stock these related parts: 193052.

193049



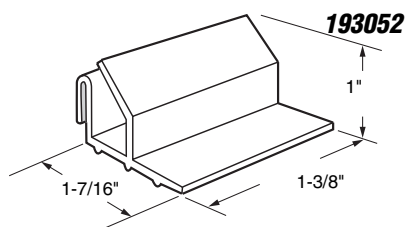
193052

Jamb Guide

Contents: 2 guides.

Description: Nylon, jamb-mounted, sliding door guide; fits on *Bath Co. Shower Door.*

You may wish to stock these related parts: 193049.



191961

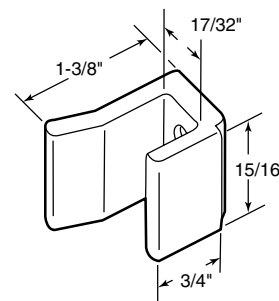
Jamb Guide

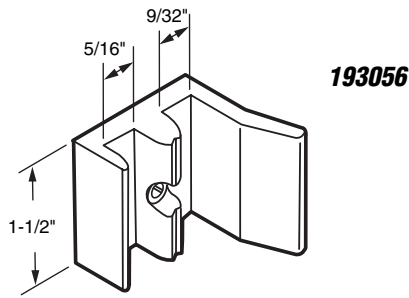
Contents: 2 guides.

Description: Natural nylon; jamb-mounted sliding door guide; fits on *Academy Mfg.*

You may wish to stock these related parts: 193051, 193069.

191961





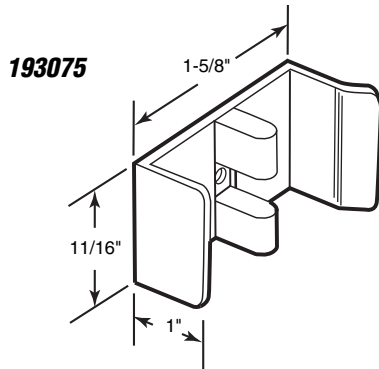
193056

Jamb Guide

Contents: 2 guides.

Description: Clear acrylic door guides; jamb-mounted; fits on *Academy Mfg.*

You may wish to stock these related parts: **191961**, **193069**.



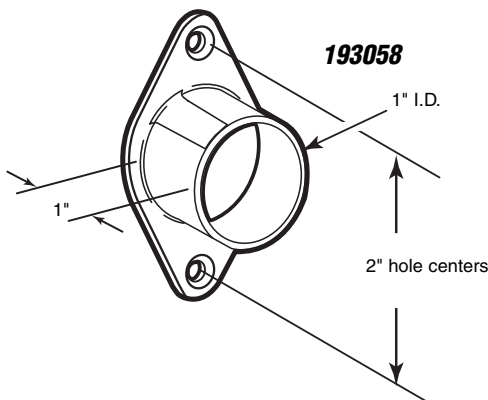
193075

Jamb Guide

Contents: 1 guide.

Description: White nylon; jamb-mounted; fits on *Sterling Door*.

You may wish to stock these related parts: **193074**.



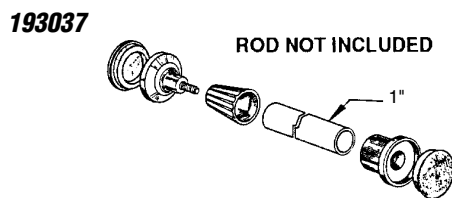
193058 (Chrome finish)

Curtain Rod Brackets

Contents: 2 brackets.

Description: Diecast bracket; will accept a 1" shower rod.

You may wish to stock these related parts: **193037**, **193044**, **193045**.

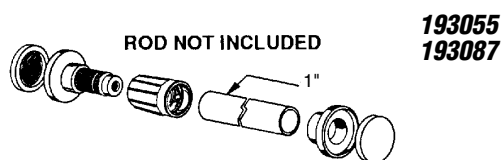


193037 (Chrome finish)

Curtain Rod End Brackets

Contents: 1 adjustable bracket; 1 fixed bracket; 2 rubber end caps.

Description: Diecast brackets; accept a 1" curtain rod; no tools necessary; simply twist to apply pressure between walls.



193055 (Chrome finish)

193087 (Brass finish)

Curtain Rod End Brackets

Contents: 1 adjustable bracket; 1 fixed bracket; 2 rubber end caps.

Description: Electro-plated plastic shower rod brackets; accept a 1" curtain rod; no tools necessary; simply twist to apply pressure between walls.

Shower Door Hardware

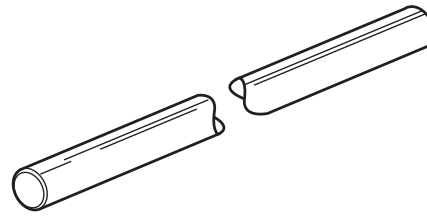
- 193044** (5' aluminum)
- 193123** (6' aluminum)
- 193045** (5' stainless steel)
- 193124** (6' stainless steel)
- 193125** (5' brass finished aluminum)

Shower Curtain Rod

Contents: 1 curtain rod.

Description: 1" metal rod; use with **193037**, **193055** or **193087** adjustable brackets, or **193058** fixed bracket.

Minimum order: 5



- 193044**
- 193123**
- 193045**
- 193124**
- 193125**

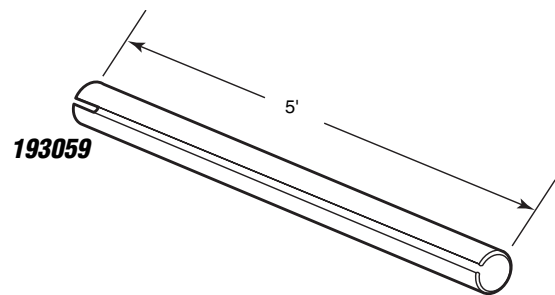
193059

Rod Cover

Contents: 1 rod cover.

Description: White plastic; designed to slip over 1" shower rod; protects metal rods against corrosion; adds to contemporary styling.

Minimum order: 12



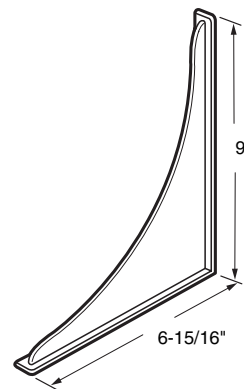
- 193046** (Porcelain white)
- 193077** (Ivory)

Splash Guard (Straight)

Contents: 2 guards in poly bag.

Description: Plastic guard; non-handed flat design; self-adhesive.

You may wish to stock these related parts: **193037**, **193055**, **193058**.



- 193046**
- 193077**

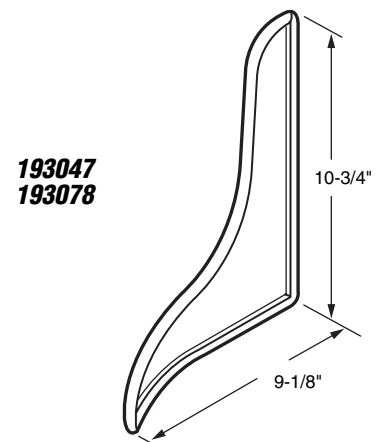
- 193047** (Porcelain white)
- 193078** (Ivory)

Splash Guard (Curved)

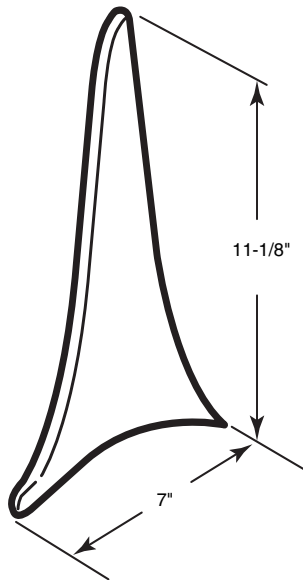
Contents: 1 pair in poly bag.

Description: Plastic guard; curved edge design; 1 left hand and 1 right hand per pair. A mildew resistant adhesive tub caulk or mastic is recommended for installation.

You may wish to stock these related parts: **193037**, **193055**, **193058**.



- 193047**
- 193078**



193048
193079

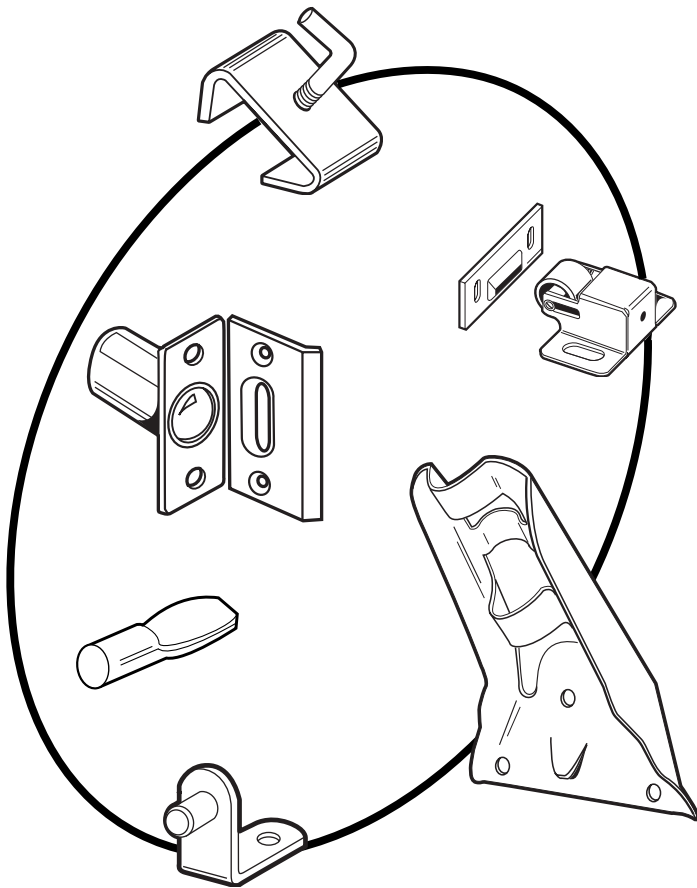
193048 (Porcelain white)
193079 (Ivory)

Splash Guard (Molded style)

Contents: 1 pair in poly bag.

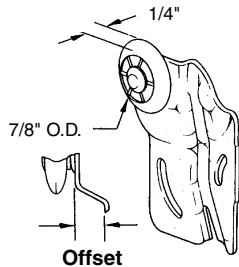
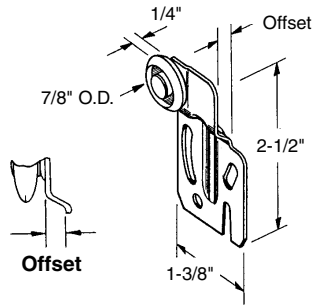
Description: Plastic guard; deluxe molded design; 1 left hand and 1 right hand per pair. A mildew resistant adhesive tub caulk or mastic is recommended for installation.

You may wish to stock these related parts: **193037, 193055, 193058.**



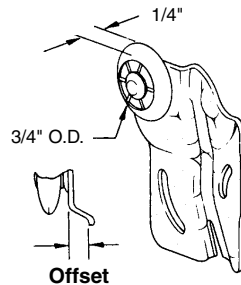
Hard-to-find miscellaneous hardware items are available in our Builder's Hardware section.

16216-F
16216-B
163220-F
163220-B

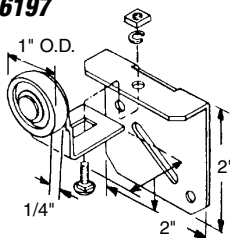


16257-F
16257-B
163222-F
163222-B

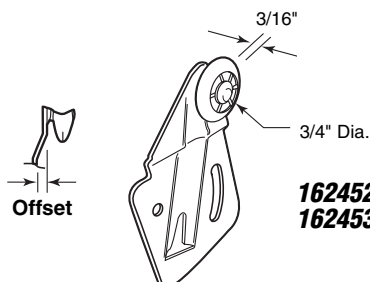
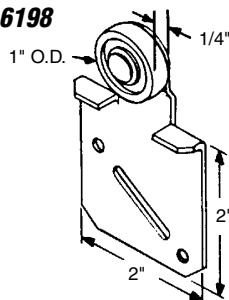
16224-F
16224-B



16197



16198



162452
162453

16216-F (Front - 1/4" offset)

16216-B (Back - 1/2" offset)

163220-F (Front - ball bearing wheel - 1/4" offset)

163220-B (Back - ball bearing wheel - 1/2" offset)

Roller

Contents: 2 roller assemblies; 6 no. 8 x 3/4" Phillips pan head sheet metal screws.

Description: Single wheel; top hung; side mounting; offset adjustable **steel** bracket; **round edge nylon** wheel; fits 3/4" to 1-3/8" thick doors; fits on **Acme**.

Note: 163220-F & 163220-B have **nickel plated steel** brackets & are supplied with **free door bumper** (161889).

16257-F (Front - 1/4" offset)

16257-B (Back - 1/2" offset)

163222-F (Front - ball bearing wheel - 1/4" offset)

163222-B (Back - ball bearing wheel - 1/2" offset)

Roller

Contents: 2 roller assemblies; 4 no. 8 x 3/4" Phillips pan head sheet metal screws.

Description: Single wheel; top hung; side mounting; offset adjustable **steel** bracket; **round edge nylon** wheel; fits 3/4" to 1-3/8" thick doors; fits on **Cox**.

Note: 163222-F & 163222-B have **nickel plated steel** brackets & are supplied with **free door bumper** (161899).

16224-F (Front - 1/4" offset)

16224-B (Back - 1/2" offset)

Roller

Contents: 2 roller assemblies; 4 no. 8 x 3/4" Phillips pan head sheet metal screws.

Description: Single wheel; top hung; side mounting; offset adjustable **steel** bracket; 3/4" diameter, **round edge nylon** wheel; fits 3/4" to 1-3/8" thick bi-passing doors up to 50 lbs. each; fits on **Cox**.

16198 (Front)

16197 (Back)

Roller

Contents: 2 roller assemblies; 6 no. 8 x 3/4" Phillips pan head sheet metal screws.

Description: Single wheel; top hung; side mounting; offset adjustable **steel** bracket; **flat edge nylon** wheel; fits 1/2" to 1-3/8" thick bi-passing doors; 50 lbs. capacity.

You may also wish to stock these related parts: **16136**.

162452 (Front - 1/16" offset)

162453 (Back - 3/8" offset)

Roller

Contents: 2 roller assemblies; 4 no. 8 x 3/4" Phillips pan head sheet metal screws.

Description: Single wheel; top hung; side mounting; offset adjustable **steel** bracket; 3/4" diameter, **round edge nylon** wheel; fits 3/4" to 1-3/8" thick bi-passing doors up to 50 lbs. each.

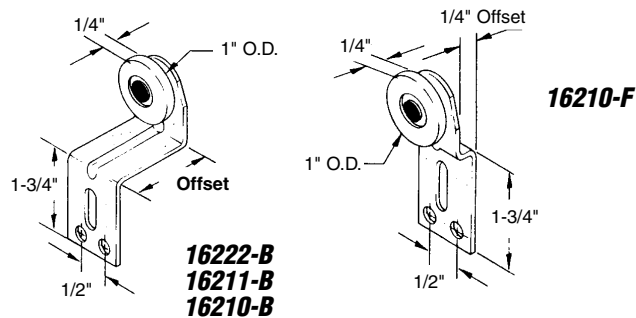
- 16210-F** (Front - 1/4" offset)
- 16222-B** (Back - 3/4" offset)
- 16211-B** (Back - 1-1/8" offset)
- 16210-B** (Back - 1-3/8" offset)

Roller

Contents: 2 roller assemblies; 6 no. 8 x 3/4" Phillips pan head sheet metal screws.

Description: Single wheel; top hung; side mounting; offset adjustable **steel** bracket; **round edge nylon** wheel; fits 3/4" to 1-3/8" thick doors; fits on **Cox**.

You may also wish to stock these related parts: **16136**.



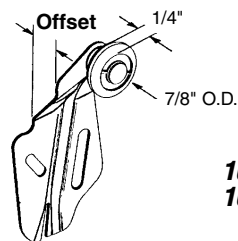
- 163466-F** (Front - 3/16" offset)
- 163466-B** (Back - 1/2" offset)

Roller

Contents: 2 roller assemblies; 4 no. 8 x 3/4" Phillips pan head sheet metal screws.

Description: Top hung; 7/8" diameter **nylon** wheel; adjustable **steel** bracket; for bi-passing doors; fits on **Alliance**.

You may also wish to stock these related parts: **16136**.



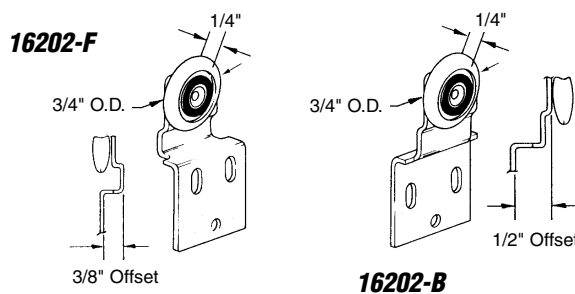
- 16202-F** (Front - 3/8" offset)
- 16202-B** (Back - 1/2" offset)

Roller

Contents: 2 roller assemblies; 6 no. 4 x 3/4" Phillips pan head sheet metal screws.

Description: Single wheel; top hung; side mounting; offset adjustable **steel** bracket; **round edge nylon ball bearing** wheel; fits 3/4" to 1-3/8" thick doors.

You may also wish to stock these related parts: **16136**.



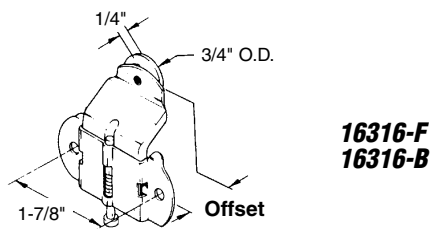
- 16316-F** (Front - 3/8" offset)
- 16316-B** (Back - 3/4" offset)

Roller

Contents: 2 roller assemblies; 4 no. 8 x 3/4" Phillips pan head sheet metal screws.

Description: Single wheel; top hung; side mounting; offset adjustable **steel** bracket; **round edge nylon** wheel; fits 3/4" to 1-3/8" thick doors; fits on **Harvey**.

You may also wish to stock these related parts: **16136**.



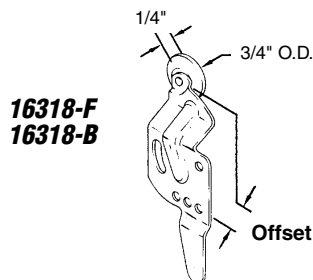
- 16318-F** (Front - 1/4" offset)
- 16318-B** (Back - 1/2" offset)

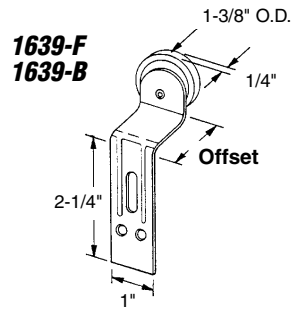
Roller

Contents: 2 roller assemblies; 4 no. 8 x 3/4" Phillips pan head sheet metal screws.

Description: Single wheel; top hung; side mounting; offset adjustable **steel** bracket; **round edge nylon** wheel; fits 3/4" to 1-3/8" thick doors; fits on **Harvey**.

You may also wish to stock these related parts: **16136**.





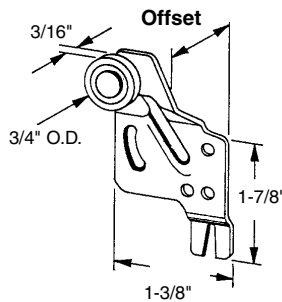
1639-F (Front - 5/16" offset)
1639-B (Back - 5/8" offset)

Roller

Contents: 2 roller assemblies; 6 no. 8 x 3/4" Phillips flat head sheet metal screws.

Description: Single wheel; top hung; side mounting; offset adjustable **steel** bracket; **flat edge nylon** wheel; fits 3/4" to 1-3/8" thick doors; 50 lbs. capacity.

You may also wish to stock these related parts: **16217, 16136, 16451.**



16277
16279
16278

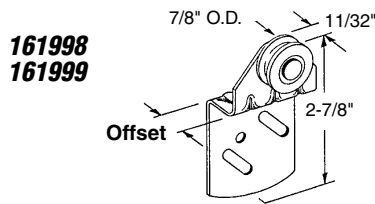
16277 (1/4" offset)
16279 (1/2" offset)
16278 (3/4" offset)

Roller

Contents: 2 roller assemblies; 4 no. 8 x 3/4" Phillips pan head sheet metal screws.

Description: Single **flat edge nylon** wheel; top hung; side mounting; offset adjustable **steel** bracket; fits 3/4" to 1-3/8" thick doors; fits on **Atlas**.

You may also wish to stock these related parts: **16136.**



161998
161999

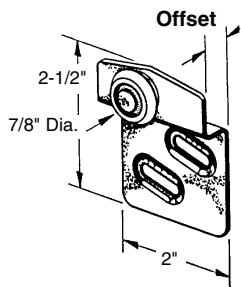
161998 (Front - 5/16" offset)
161999 (Back - 9/16" offset)

Roller

Contents: 2 roller assemblies; 6 no. 8 x 3/4" Phillips pan head sheet metal screws.

Description: Top hung; center groove 7/8" diameter **nylon** wheel; adjustable **steel** bracket; used on **old style Kenna Frame**.

You may also wish to stock these related parts: **16136.**



161987
161988

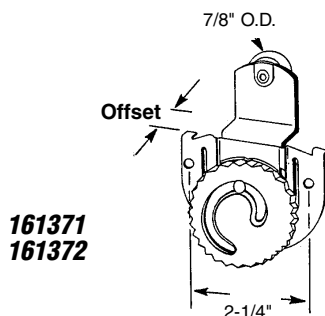
161987 (Front - 1/4" offset)
161988 (Back - 1/2" offset)

Roller

Contents: 2 roller assemblies; 4 no. 8 x 3/4" Phillips pan head sheet metal screws.

Description: Single **round edge nylon** wheel; side mounting adjustable **steel** bracket; for 3/4" to 1-3/8" thick doors up to 90 lbs. each; fits on **Atlas**.

You may wish to stock these related parts: **16217, 163134.**



161371
161372

161371 (Front - 1/8" offset)
161372 (Back - 3/8" offset)

Roller

Contents: 2 roller assemblies with installation screws.

Description: Single wheel; top hung; 7/8" diameter **nylon** wheel; **stamped steel** bracket with **nylon** adjusting wheel; for 3/4" to 1-3/8" thick doors; fits on **Stanley**.

You may also wish to stock these related parts: **16136.**

163114

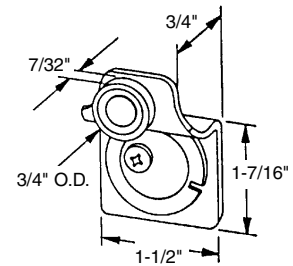
Roller

Contents: 2 roller assemblies with installation screws.

Description: Single wheel; top hung; 3/4" diameter **nylon**; adjustable **stamped steel** bracket; for 3/4" to 1-3/8" thick doors; fits on **Atlas**.

You may also wish to stock these related parts: **16136, 163115**.

163114



161082 (Front - 1/8" offset)

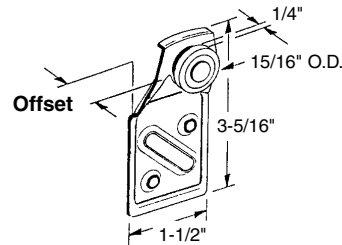
161104 (Back - 7/16" offset)

Roller

Contents: 2 roller assemblies; 6 no. 8 x 3/4" Phillips pan head sheet metal screws.

Description: Top hung; 15/16" diameter **flat edge nylon** wheel; adjustable **steel** bracket; fits on **Kenna Frame**.

You may also wish to stock these related parts: **16136**.



161082
161104

161099 (Front - 1/8" offset)

161112 (Back - 1/2" offset)

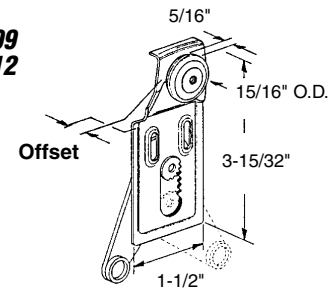
Roller

Contents: 2 roller assemblies; 6 no. 8 x 3/4" Phillips pan head sheet metal screws.

Description: Top hung; side mount; 15/16" diameter **nylon ball bearing** wheel; **steel** bracket; with **nylon** adjustment arm; fits on **Kenna Frame**.

You may also wish to stock these related parts: **16136**.

161099
161112



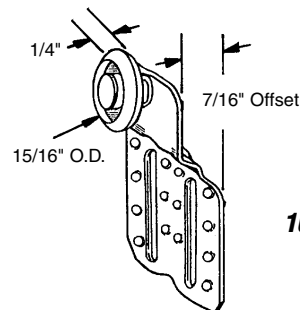
161935

Roller

Contents: 2 roller assemblies; 4 no. 8 x 3/4" Phillips pan head sheet metal screws.

Description: Single wheel; top hung; 7/16" offset, adjustable **steel** bracket; **oval edge nylon** wheel; fits 3/4" to 1-3/8" thick doors; originally fits on **Superior Door**.

You may also wish to stock these related parts: **16217**.



161935

161150 (Front - 1/16" offset)

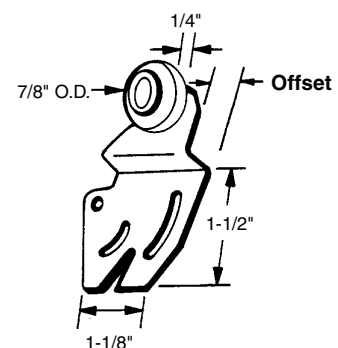
161151 (Back - 3/8" offset)

Roller

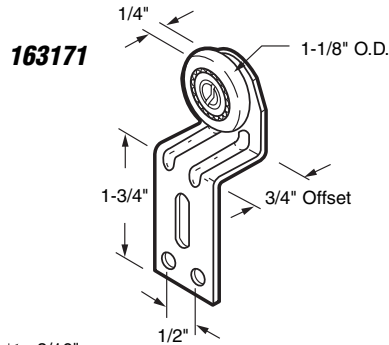
Contents: 2 rollers assemblies; 4 installation screws.

Description: Single wheel; top hung; side mounting; 1/16" offset adjustable **steel** bracket; **flat edge nylon** wheel; fits 3/4" or 1-3/8" thick doors; fits on **Johnson Hardware**.

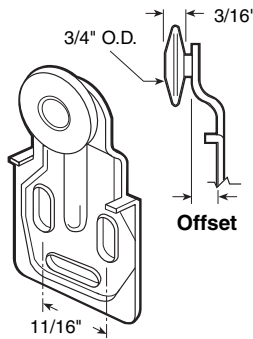
You may also wish to stock these related parts: **161149, 161148**.



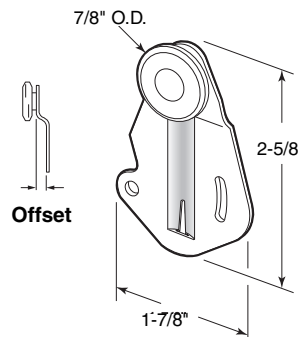
161150
161151



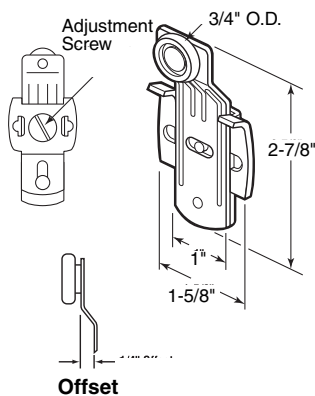
163171



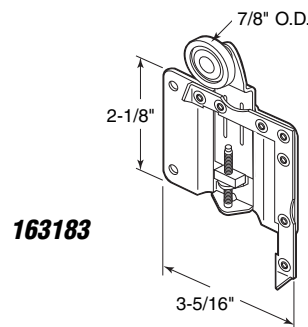
163176-F
163176-B



162454
162455



163185-F
163185-B



163183

163171

Roller

Contents: 2 rollers assemblies; 6 no. 8 x 3/4" Phillips pan head sheet metal screws.

Description: Top hung; 1-1/8" diameter **flat edge nylon** wheel; adjustable **steel** bracket.

You may also wish to stock these related parts: **16136, 161104.**

163176-F (Front - 3/8" offset)

163176-B (Back - 1/2" offset)

Roller

Contents: 2 roller assemblies; 6 no. 8 x 3/4" Phillips pan head sheet metal screws.

Description: Top hung; 3/4" x 3/32" diameter **thin nylon** wheel; adjustable **steel** bracket.

162454 (Front - 1/16" offset)

162455 (Back - 3/8" offset)

Roller

Contents: 2 roller assemblies; 4 no. 8 x 3/4" Phillips pan head sheet metal screws.

Description: Top hung; 7/8" diameter **oval edge nylon** wheel; for "V" track; adjustable **steel** bracket; fits on **Johnson Hardware.**

163185-F (Front - 1/4" offset)

163185-B (Back - 1/2" offset)

Roller

Contents: 2 roller assemblies

Description: Top hung; 3/4" diameter **oval edge nylon** wheel; **steel** bracket with vertical height adjustment screw; used on **Sterling** track systems.

You may wish to stock these related parts: **16136.**

163183

Roller

Contents: 2 roller assemblies

Description: Top hung; 7/8" diameter **flat edge nylon** wheel; **steel** bracket; also acts as **corner bracket** for steel frame bi-passing doors; used on **Johnson Panel Jacket** door systems.

You may wish to stock these related parts: **163184 & 161148.**

163184

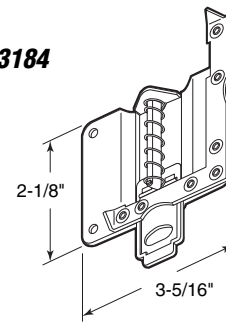
Guide

Contents: 2 guide assemblies.

Description: Bottom mount; adjustable **steel** bracket with **nylon** guide; also acts as corner bracket for steel frame bi-passing doors; used on **Johnson Panel Jacket** doors.

You may wish to stock these related parts: **163183 & 161148**.

163184



16449

Roller

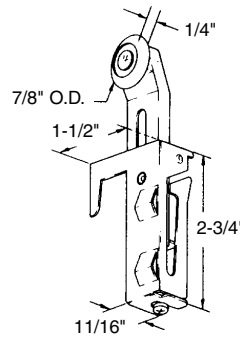
Contents: 2 roller assemblies, 1 left and 1 right.

Description: Single wheel; top mounting; adjustable **steel** bracket; also acts as corner bracket for steel frame bi-passing doors; 7/8" diameter **round edge nylon** wheel; fits on **Acme**.

You may wish to stock these related parts: **16450**.

16449

Left Hand Shown



16450

Guide

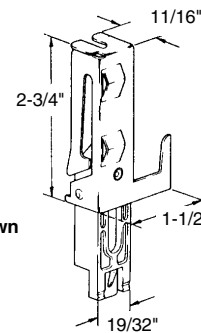
Contents: 2 guide assemblies, 1 left and 1 right.

Description: Bottom mount; adjustable **steel** bracket with **nylon** guide; also acts as corner bracket for steel frame bi-passing doors; fits on **Acme**.

You may wish to stock these related parts: **16449**.

16450

Right Hand Shown



16452

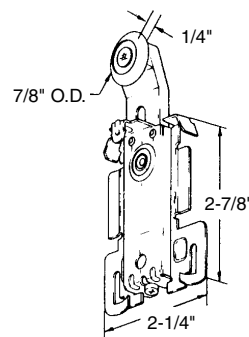
Roller

Contents: 2 roller assemblies.

Description: Single wheel; top mounting; adjustable **steel** bracket; also acts as corner bracket for steel frame bi-passing door; 7/8" diameter **round edge nylon** wheel; fits on **Acme**.

You may wish to stock these related parts: **16453**.

16452



16453

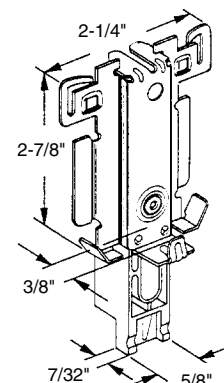
Guide

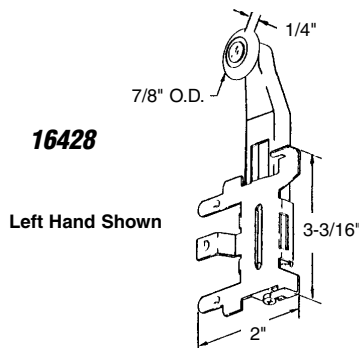
Contents: 2 guide assemblies.

Description: Bottom mount; adjustable **steel** bracket with **nylon** guide; also acts as corner bracket for steel frame bi-passing doors; fits **Acme**.

You may wish to stock these related parts: **16452**.

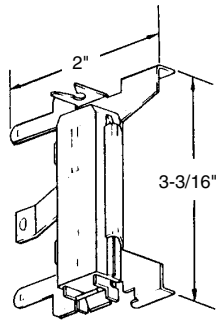
16453





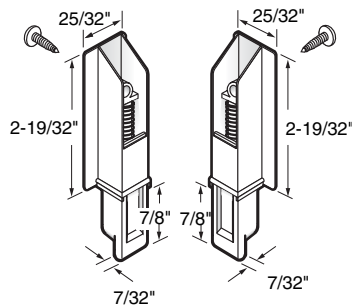
16428

Left Hand Shown

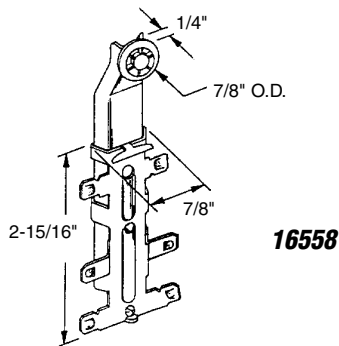


16427

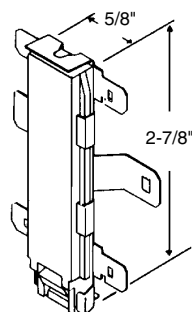
Left Hand Shown



16226



16558



16557

16428

Roller

Contents: 2 roller assemblies, 1 left and 1 right.

Description: Single wheel; side mounting; adjustable snap-in steel bracket; 7/8" diameter **round edge nylon** wheel; designed for steel frame bi-passing doors; fits on **Cox**.

You may wish to stock these related parts: **16427, 16498, 161929.**

16427

Guide

Contents: 2 guide assemblies, 1 left and 1 right.

Description: Bottom mount; snap-in steel bracket with nylon guide; for steel frame bi-passing doors; fits on **Cox**.

You may also wish to stock these related parts: **16428.**

Note: 161929 replacement guide only.

16226

Guide

Contents: 1 set bottom guide assemblies; 1 left and 1 right; 2 no. 10 x 1/2" Phillips pan head sheet metal screws.

Description: Nylon, spring loaded bracket and guide; side mount.

16558

Roller

Contents: 2 roller assemblies.

Description: Single wheel; top mounting; adjustable steel bracket; 7/8" diameter **round edge nylon** wheel; designed for steel frame bi-passing doors; fits on **Cox**.

You may also wish to stock these related parts: **16557.**

16557

Guide

Contents: 2 guide assemblies

Description: Bottom mounts; snap-in steel bracket with nylon guide; designed for steel frame bi-passing doors; fits on **Cox**.

You may also wish to stock these related parts: **16558, 16498, 16217.**

Note: 16499 replacement guide only.

163467

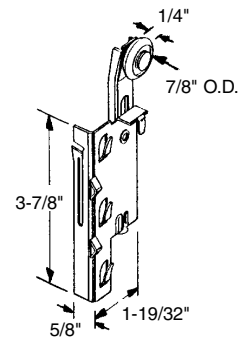
Roller

Contents: 1 left hand and 1 right hand roller assemblies.

Description: Single wheel; side mount; adjustable snap-in steel bracket; 7/8" diameter round edge nylon wheel; designed for steel frame doors; used on *Acme series "4000"*.

You may also wish to stock these related parts: **161899, 163468.**

163467



163468

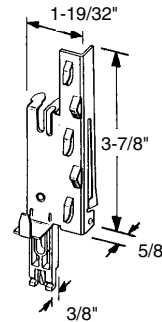
Guide

Contents: 1 left hand and 1 right hand guide assemblies.

Description: Bottom mount; snap-in steel bracket with nylon guide; for steel frame bi-passing doors; used on *Acme series "4000"*.

You may also wish to stock these related parts: **161899, 163467.**

163468



163490 (3/4" diameter)

16704 (7/8" diameter)

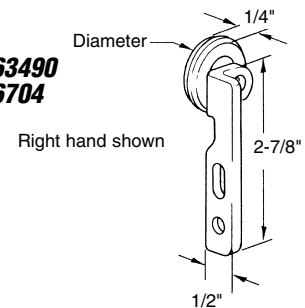
Roller

Contents: 1 left hand and 1 right hand roller assemblies; 4 no. 6 x 3/4" Phillips pan head sheet metal screws.

Description: Single wheel; top hung; side mounting; offset adjustable steel bracket; round edge nylon ball bearing wheel; fits 3/4" to 1-1/4" thick doors.

You may wish to stock these related parts: **16104, 161930.**

**163490
16704**



16498

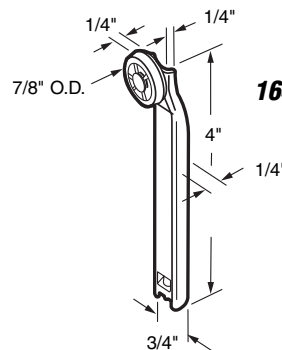
Roller

Contents: 2 roller assemblies.

Description: Single wheel; top hung; side mounting; steel bracket; 7/8" diameter round edge nylon wheel.

You may wish to stock these related parts: **16558, 16557, 16499.**

16498



16132-L (Left)

16132-R (Right)

161936 (1 left & 1 right)

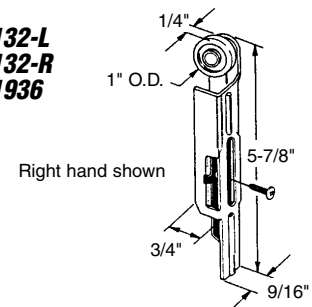
Roller

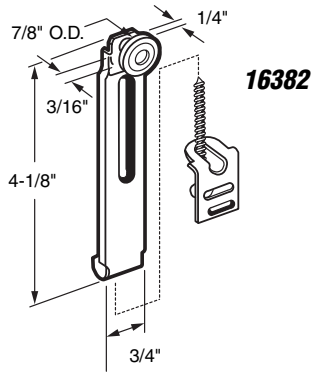
Contents: 1 roller assembly; 1 no. 12 x 1/2" Phillips pan head sheet metal screws.

Description: Single wheel; top hung; adjustable steel bracket mounts inside of door frame; 1" diameter flat edge nylon wheel; fits on *Like*.

You may wish to stock these related parts: **16131, 16226.**

**16132-L
16132-R
161936**





16382

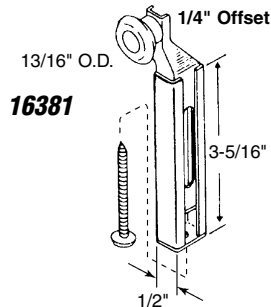
16382

Roller

Contents: 2 roller assemblies; 2 no. 8 x 1-3/4" Phillips pan head sheet metal screws.

Description: Single wheel; top hung; adjustable **steel** bracket; 7/8" diameter **round edge nylon** wheel; 3/16" wide, edge rail.

You may wish to stock these related parts: **16217, 16451, 163111.**



16381

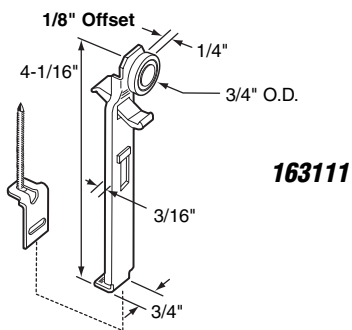
16381

Roller

Contents: 2 roller assemblies; 2 no 8 x 3/4" Phillips pan head sheet metal screws.

Description: Single wheel; top hung; offset adjustable **steel** bracket; 13/16" diameter **nylon round edge** wheel; used on **Steward** wardrobe doors.

Call for Availability



163111

163111

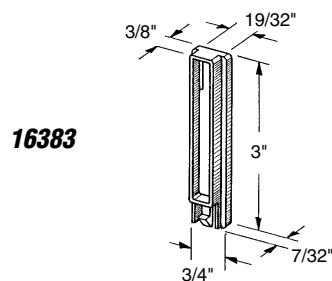
Roller

Contents: 1 roller; 1 adjustment bracket with screw.

Description: Single wheel; top hung; **steel** bracket with **nylon** anti-jump guide; 3/16" wide, rail edge; 3/4" diameter **flat edge nylon** wheel; fits on **Roberts**.

You may also wish to stock these related parts: **16382, 16383, 163113.**

Call for Availability



16383

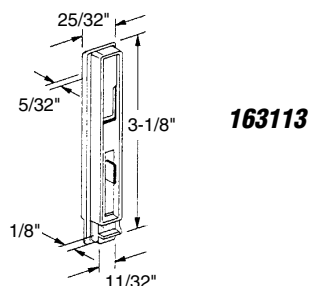
16383

Guide

Contents: 2 guides.

Description: Bottom mount; **nylon** guide for steel frame bi-passing doors; used on **Roberts** wardrobe doors.

You may also wish to stock these related parts: **16382, 163111.**



163113

163113

Guide

Contents: 2 guides.

Description: **Nylon** bottom guide for sliding wardrobe doors; snaps into steel frame of door.

You may also wish to stock these related parts: **16382, 163111.**

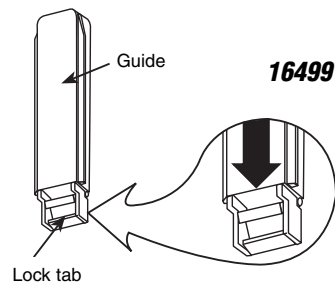
16499

Guide

Contents: 2 guides.

Description: White plastic guide; replacement guides for part no. 16557.

You may also wish to stock these related parts: 16558.



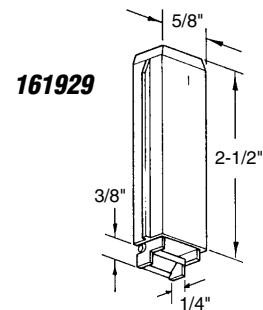
161929

Guide

Contents: 2 guides.

Description: Bottom mount; nylon guide for steel bi-passing doors; repair part for no. 16427.

You may also wish to stock these related parts: 16428, 16427.



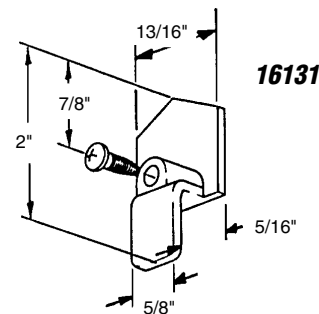
16131

Guide

Contents: 1 guide; 1 no. 10 x 1/2" Phillips pan head sheet metal screw.

Description: Nylon; side mount; replaces old metal guides.

You may also wish to stock these related parts: 16132-L, 16132-R.

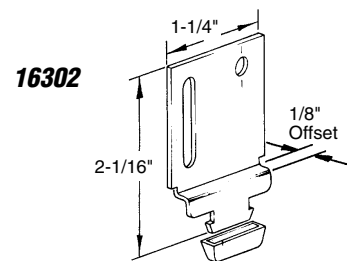


16302

Guide

Contents: 2 guides; 4 no. 8 x 5/8" Phillips pan head sheet metal screws.

Description: Bottom mount; adjustable steel bracket with nylon tip; fits 3/4" to 1-3/8" thick bi-passing doors; fits on Cox.



163115* (1/4" offset)

163116 (1/2" offset)

163117 (3/4" offset)

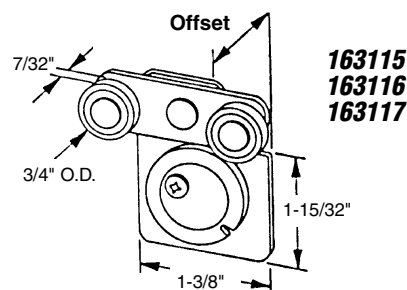
Roller

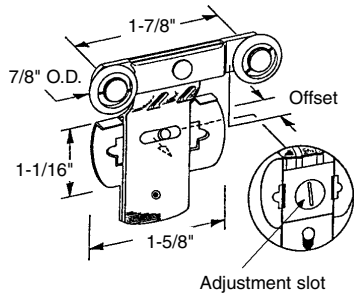
Contents: 2 roller assemblies with installation screws.

Description: Tandem wheels; top hung; 3/4" diameter nylon wheels; adjustable offset steel bracket; for 3/4" to 1-3/8" thick doors; fits on Atlas.

**Call for availability on this item.*

You may also wish to stock these related parts: 16136.





162164
162165

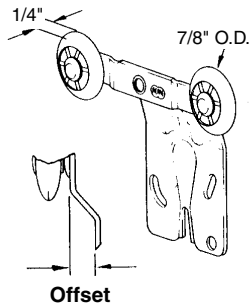
162164 (Front - 3/16" offset)
162165 (Back - 11/16" offset)

Roller

Contents: 2 roller assemblies; 4 no. 8 x 3/4" Phillips pan head sheet metal screws.

Description: 7/8" diameter, **round edge nylon** tandem wheels; side mount; adjustable **steel** bracket; for bi-passing doors; used on **Sterling** track systems.

You may wish to stock these related parts: **16136, 16451**.



16218-F
16218-B
163221-F
163221-B

16218-F (Front - 1/4" offset)
16218-B (Back - 1/2" offset)
163221-F (Front - **ball bearing wheel** - 1/4" offset)
163221-B (Back - **ball bearing wheel** - 1/2" offset)

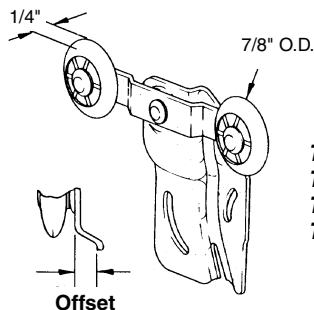
Roller

Contents: 2 roller assemblies; 6 no. 8 x 3/4" Phillips pan head sheet metal screws.

Description: Tandem wheels; top hung; side mounting; offset adjustable **steel** bracket; 7/8" diameter **round edge nylon** wheels; fits 3/4" to 1-3/8" thick door; fits on **Acme**.

You may wish to stock these related parts: **16451, 16217**.

Note: **163221-F & 163221-B** have **nickel plated steel** brackets & are supplied with **free door bumper** (161899).



16258-F
16258-B
163223-F
163223-B

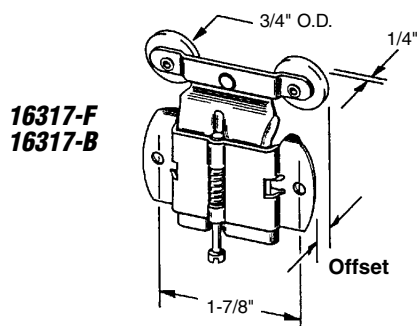
16258-F (Front - 1/4" offset)
16258-B (Back - 1/2" offset)
163223-F (Front - **ball bearing wheel** - 1/4" offset)
163223-B (Back - **ball bearing wheel** - 1/2" offset)

Roller

Contents: 2 roller assemblies; 4 no. 8 x 3/4" Phillips pan head sheet metal screws.

Description: Tandem wheels; top hung; side mounting; offset adjustable **steel** bracket; 7/8" diameter **round edge nylon** wheels fits 3/4" thick doors; fits on **Cox**.

Note: **163223-F & 163223-B** have **nickel plated steel** brackets & are supplied with **free door bumper** (161899).



16317-F
16317-B

16317-F (Front - 3/8" offset)
16317-B (Back - 3/4" offset)

Roller

Contents: 2 roller assemblies; 4 no. 8 x 3/4" Phillips pan head sheet metal screws.

Description: Tandem wheels; top hung; side mounting; offset adjustable **steel** bracket; 3/4" diameter **round edge nylon** wheels; fits 3/4" to 1-3/8" thick doors; 75 lb capacity; fits on **Harvey**.

You may wish to stock these related parts: **16217, 16136**.

163134 (1/2" offset)

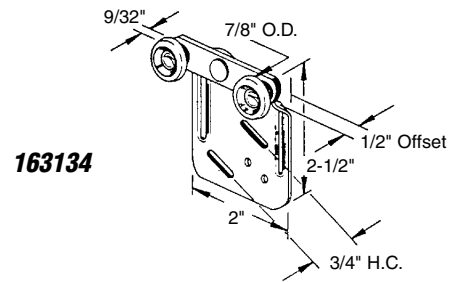
*Call for
Availability*

Roller

Contents: 2 roller assemblies; 6 no. 8 x 3/4" Phillips pan head sheet metal screws.

Description: Tandem wheels; side mounting adjustable **steel** bracket; 7/8" diameter **round edge nylon** wheels; for 3/4" to 1-3/8" thick doors up to 90 lbs. each; fits on **Atlas**.

You may wish to stock these related parts: **16217**.



163199-F (Front - 3/16" offset - tandem wheels)

163199-B (Back - 7/16" offset - tandem wheels)

163513-F (Front - 3/16" offset)

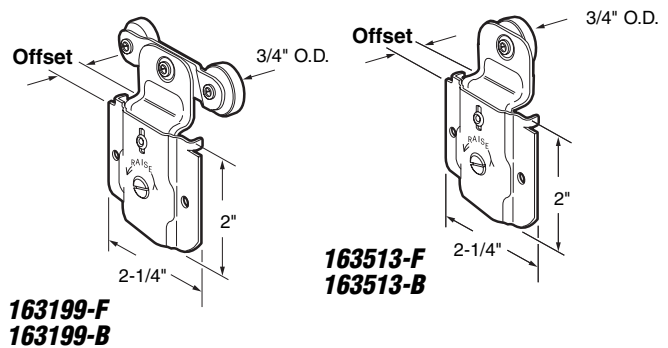
163513-B (Back - 7/16" offset)

Roller

Contents: 2 roller assemblies; 4 no. 8 x 3/4" Phillips pan head screws.

Description: Top hung; side mounting; offset adjustable **steel** bracket; 3/4" diameter **flat edge nylon** wheels; used on **Grant series 6000** doors.

You may wish to stock these related parts: **16136**.



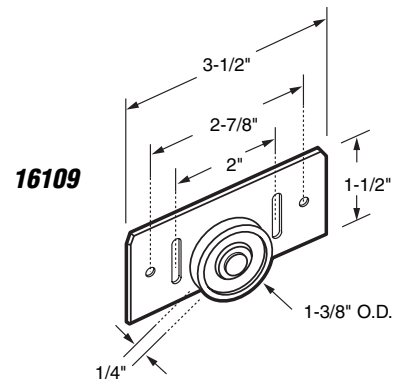
16109

Roller

Contents: 2 roller assemblies; 4 no. 8 x 3/4" Phillips pan head sheet metal screws.

Description: Bottom mount; installs on back side of door panel; **steel** bracket; 1-3/8" diameter **flat edged nylon** wheel.

You may wish to stock these related parts: **16245**.



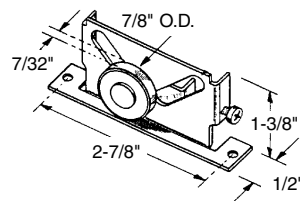
163106

*Call for
Availability*

Roller

Contents: 2 roller assemblies; (1 left and 1 right); 1 set of installation screws.

Description: Sliding mirror door **steel** bracket with 7/8" diameter **steel ball bearing** wheel; adjustable; fits on **Daryl Door**.



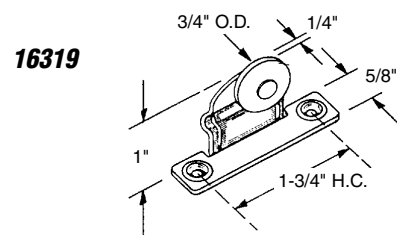
16319

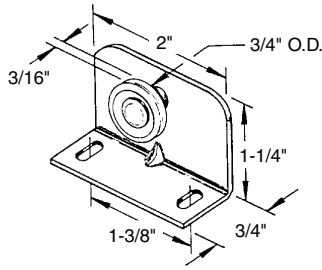
Roller

Contents: 2 roller assemblies; 4 no. 8 x 1-1/4" Phillips pan head sheet metal screws.

Description: Single wheel; top hung; **offset steel** bracket; 3/4" diameter **round edge nylon** wheel; fits 3/4" to 1-3/8" thick doors; fits on **Harvey**.

You may wish to stock these related parts: **16104**, **161930**.





16281

16281

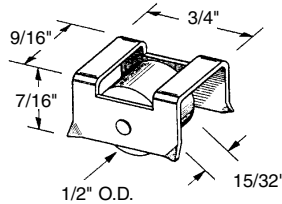
Roller

Contents: 2 roller assemblies; 4 no. 8 x 1-1/4" Phillips pan head sheet metal screws.

Description: Single flat edge nylon wheel; top center mounting; wheel fits 3/4" to 1-3/8" thick doors; works as a fixed roller with no. N-6629; fits on Atlas.

You may wish to stock these related parts: **16280**.

16759



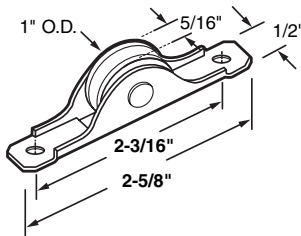
16759

Roller

Contents: 2 roller assemblies.

Description: 1/2" diameter stainless steel roller; brass housing; fits 9/16" groove in door rail; held in place by flared points.

16103



16102

16102 (2-7/16" hole centers)

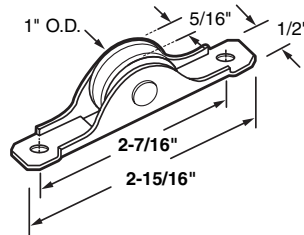
16103 (2-3/16" hole centers)

Roller

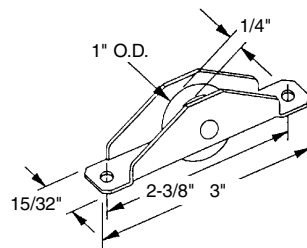
Contents: 2 roller assemblies; 4 no. 8 x 3/4" Phillips pan head sheet metal screws.

Description: Bottom mount; mortise installation; steel housing; 1" diameter center groove nylon wheel; fits on Glide Master.

You may wish to stock these related parts: **16102, 16105, 16106, 16108**.



16105



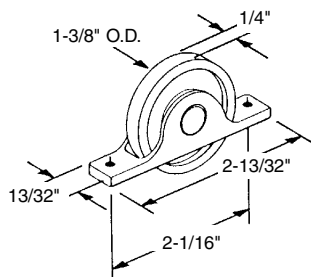
16105

Roller

Contents: 2 roller assemblies; 4 no. 8 x 3/4" Phillips pan head sheet metal screws.

Description: Bottom mount; mortise installation; steel housing; 1" diameter round edged nylon wheel; fits on Glide Master.

You may wish to stock these related parts: **16102, 16103, 16106, 16108**.



16108

16108

Roller

Contents: 2 roller assemblies; 2 no. 8 x 3/4" Phillips pan head sheet metal screws.

Description: Bottom mount; mortise installation; steel housing; 1-3/8" diameter flat edged nylon wheel.

You may wish to stock these related parts: **16102, 16103, 16105, 16106**.

Call for Availability

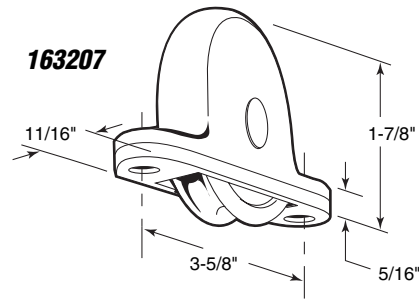
Call for Availability

163207

Roller

Contents: 1 roller assembly.

Description: Bottom mount; mortise installation; heavy die cast housing; 1-3/4" diameter x 3/8" wide **grooved nylon** wheel; used on **Grant No. 18** door systems.



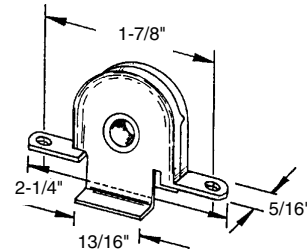
16765 (Steel ball bearing - flat edge wheel)

16766 (Nylon - grooved edge wheel)

Roller

Contents: 2 roller assemblies.

Description: **Stamped steel** housing; fits a 1-1/4" x 5/16" mortise slot in door rail.



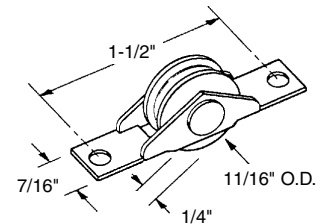
16765
16766

16769

Roller

Contents: 2 roller assemblies.

Description: 11/16" diameter **steel wheel** with **axle bearing**; center grooved; fits a 7/16" x 1-7/8" mortise slot in door rail.



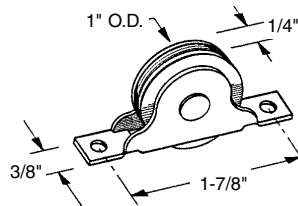
16769

16770

Roller

Contents: 2 roller assemblies.

Description: **Steel ball bearing** grooved wheel; fits a 1-1/4" x 5/16" mortise slot in door rail.



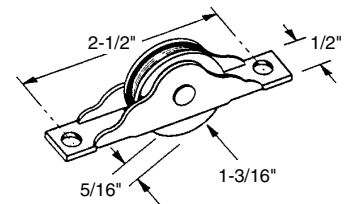
16770

16771

Roller

Contents: 2 roller assemblies.

Description: 1-3/16" diameter **steel ball bearing** wheel; center grooved; fits a 2-15/16" x 7/16" mortise slot in door rail.



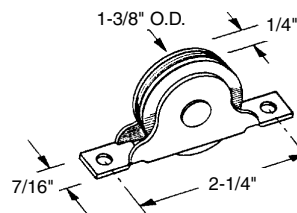
16771

16772

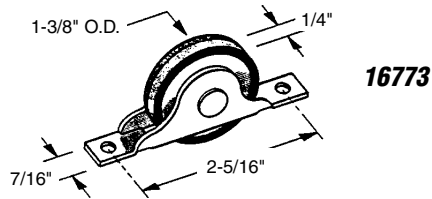
Roller

Contents: 2 roller assemblies.

Description: 1-3/8" diameter **steel ball bearing**; center grooved wheel; fits a 2-3/4" x 7/16" mortise slot in door rail.



16772

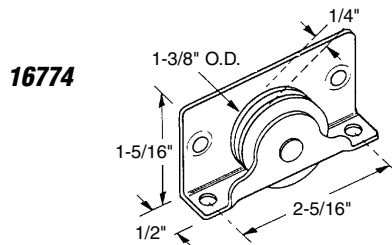


16773

Roller

Contents: 2 roller assemblies.

Description: 1-3/8" diameter **flat neoprene tire ball bearing** wheel; fits a 2-3/4" x 7/16" mortise slot in door rail.

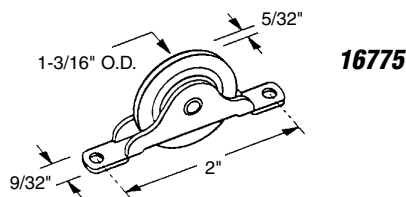


16774

Roller

Contents: 2 roller assemblies.

Description: 1-3/8" diameter **steel ball bearing** wheel; center groove; side mounted bracket for external mounting.

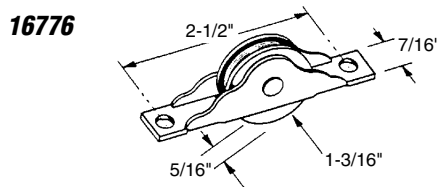


16775

Roller

Contents: 2 roller assemblies.

Description: 1-3/16" diameter **round edge nylon** wheel; for thin doors; fits a 9/32" x 2-1/4" mortise slot in door rail.

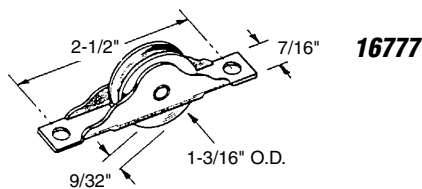


16776

Roller

Contents: 2 roller assemblies.

Description: 1-3/16" diameter **center grooved nylon** wheel; for door thickness up to 1-1/8"; fits a 7/16" x 2-15/16" mortise slot in door rail.

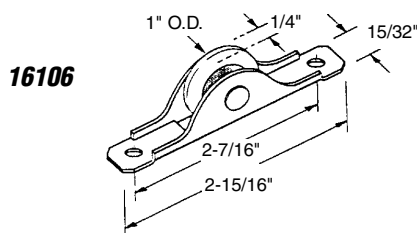


16777

Roller

Contents: 2 roller assemblies.

Description: 1-3/16" diameter **bronze center groove** wheel; self-lubricating bearing; **solid brass** housing; used by many boat manufacturers; fits a 7/16" x 2-15/16" mortise slot in door frame.



16106

Roller

Contents: 2 roller assemblies.

Description: Bottom mount; mortise installation; **steel** housing; 1" diameter **round edged nylon** wheel; fits on *Glide Master*.

You may also wish to stock these related parts: **16102, 16103, 16105, 16108.**

Call for Availability

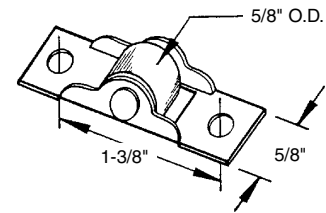
16761

Roller

Contents: 2 roller assemblies.

Description: 5/8" diameter **nylon** wheel; **steel** housing; fits 5/8" groove in door rail; mortise installation.

16761

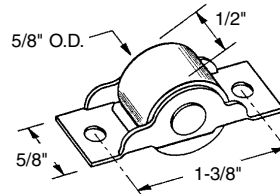


16762

Roller

Contents: 2 roller assemblies.

Description: 5/8" diameter **steel** wheel; **steel** housing; fits 5/8" groove in door rail; mortise installation.



16762

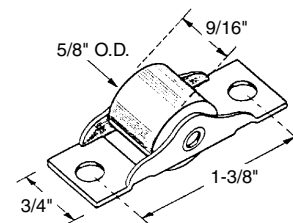
16763

Roller

Contents: 2 roller assemblies.

Description: 5/8" diameter **steel** wheel; **steel** housing; fits 3/4" groove in door rail; mortise installation.

16763



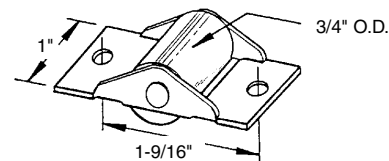
*Call for
Availability*

16764

Roller

Contents: 2 roller assemblies.

Description: 3/4" diameter **steel** wheel; **steel** housing; fits 1" groove in door rail; mortise installation.



16764

16767 (Steel)

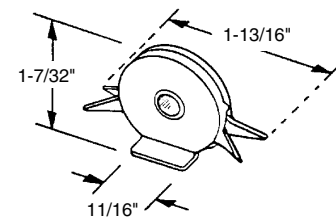
16768 (Nylon)

Sliding Door Roller

Contents: 2 roller assemblies.

Description: **Ball bearing flat** wheel; drive-in **steel** housing; fits a 1-1/4" x 5/16" mortise slot in door rail.

**16767
16768**

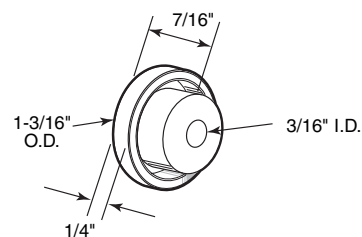


16245

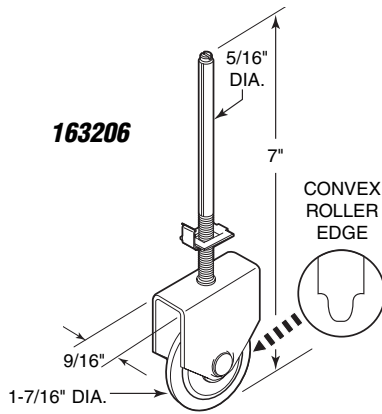
Roller

Contents: 2 rollers.

Description: **Nylon** wheel mounts directly onto door panel; 1-3/16" diameter.



16245

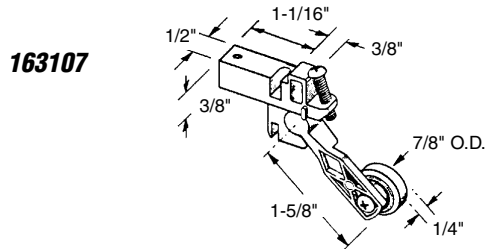


163206

Roller

Contents: 1 roller assembly.

Description: Plated steel rod with stamped steel roller housing; 1-3/8" diameter convex nylon wheel.



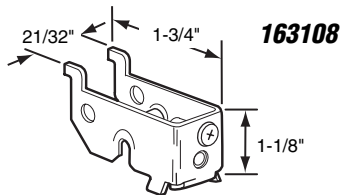
163107

Roller

Contents: 1 roller assembly.

Description: 7/8" nylon ball bearing wheel; adjustable diecast roller housing; fits on *Miller Door*.

Call for
Availability



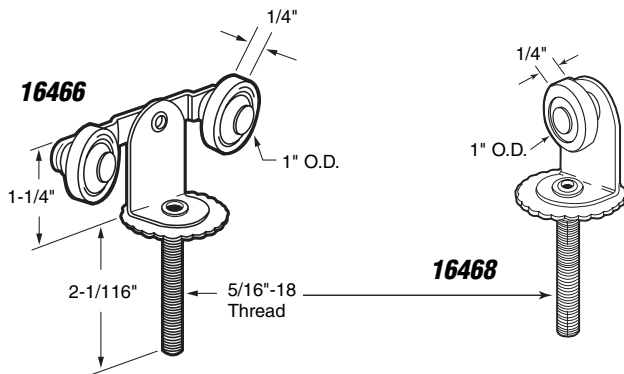
163108

Roller Bracket

Contents: 1 roller bracket.

Description: Stamped steel housing to accept no. 163105 wardrobe door roller; snap together design between bracket and wheel assembly; fits on *Ador/HiLite*.

You may wish to stock these related parts: 163105, 163119.



16466

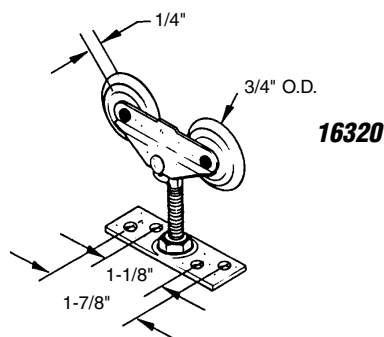
(Tandem rollers)

Roller

Contents: 1 roller assembly.

Description: Top-center mounting; adjustable steel bracket; flat edge nylon wheel; fits 3/4" to 1-3/8" thick doors; fits on *Like*.

You may wish to stock these related parts: 16104, 161930, 16752, 161093.



16320

Roller

Contents: 1 roller assembly; 4 no. 8 x 1-1/4" Phillips pan head sheet metal screws.

Description: Tandem wheels; top hung; offset adjustable bracket; round edge nylon wheel; fits 3/4" to 1-3/8" thick doors; fits on *Harvey*.

You may wish to stock these related parts: 16104, 161930.

16326

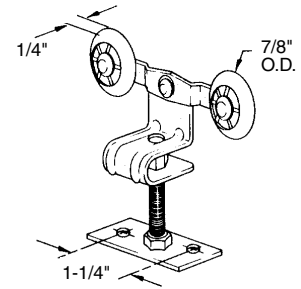
Roller

Contents: 2 roller assemblies; 4 no. 8 x 1-1/4" Phillips pan head sheet metal screws.

Description: Tandem wheels; top mounting; adjustable **steel** bracket; **round edge nylon** wheel; fits 1-3/8" thick doors; fits on **Cox**.

You may wish to stock these related parts: **161230, 161093.**

16326



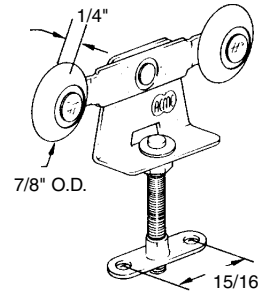
16469

Roller

Contents: 1 roller assembly; 2 no. 8 x 1-1/4" Phillips pan head sheet metal screws.

Description: Tandem wheels; top mounting; adjustable **steel** bracket; **round edge nylon** wheel; fits 1-3/8" thick doors; fits on **Acme**.

You may wish to stock these related parts: **16217.**



16469

16465

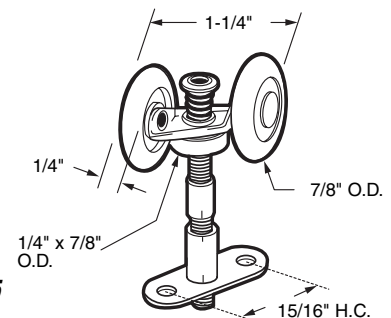
Roller

Contents: 1 roller assembly; 2 no. 8 x 1-1/4" Phillips pan head sheet metal screws.

Description: Tandem wheel hanger, with **round edge nylon** wheels; top mounting; adjustable **steel** bracket with **flat edge horizontal guide wheel**; fits 1" to 1-3/8" thick doors; used on **Acme "series 2600"** bi-fold & accordion doors.

You may wish to stock these related parts: **163093, 16369, 16260, 16261, 16259.**

16465



163167 (3/4" diameter)
161137 (1" diameter)

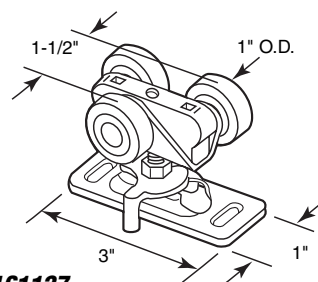
Roller

Contents: 1 roller assembly; 2 no. 8 x 3/4" Phillips pan head sheet metal screws.

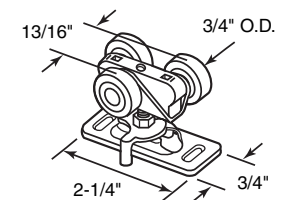
Description: Three (3) **flat edge nylon** wheels; **steel** top mount adjustable bracket used on pocket doors, sliding doors and bi-folding doors.

You may wish to stock these related parts: **161149, 161148, 161092.**

161137



163167



163175

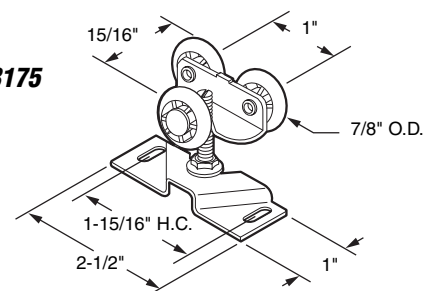
Roller

Contents: 1 roller assembly; 2 no. 8 x 1-1/4" Phillips pan head sheet metal screws.

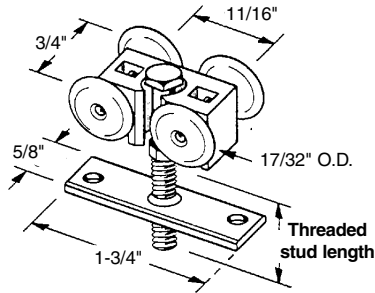
Description: Three (3) wheel hanger; top mounting; adjustable **steel** bracket; **round edge nylon** wheels; used on both bi-passing and pocket doors.

Note: See 163208 for 4 wheel version.

163175



16560
16559



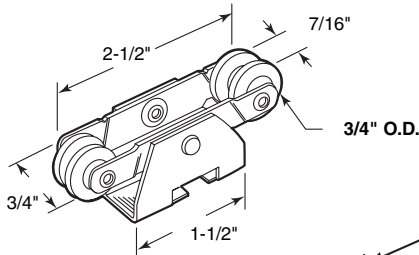
16560 (5/8" stud length)
16559 (1-1/4" stud length)

Roller

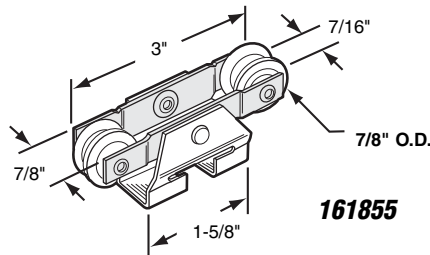
Contents: 1 roller assembly; 2 no. 8 x 1-1/2" Phillips pan head sheet metal screws.

Description: Folding shutter door hanger; (4) round edge nylon wheels on nylon carrier; top hung; designed for lightweight doors or counter top style window shutters; steel mounting plate.

You may wish to stock these related parts: **161900**, **161901**, **161902**.



163509



161855

161855 (7/8" diameter - nylon wheels)
163509 (3/4" diameter - nylon ball bearing wheels)

Roller

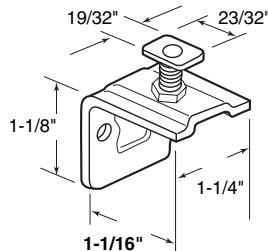
Contents: 1 roller assembly.

Description: Stamped steel bracket; 4 wheel carrier uses nylon wheels; for heavy duty bi-passing or pocket doors up to 100 lbs. each; substitute for Acme "1000" and "1700" series track systems.

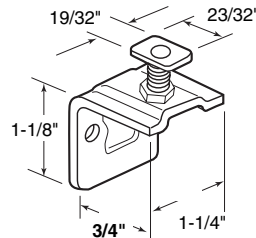
Note: These hangers will not work with existing hanger bracket. Must choose from one of the 6 listed below.

You may wish to stock these related parts: **163132**, **163178**, **163179**.

163179



163178



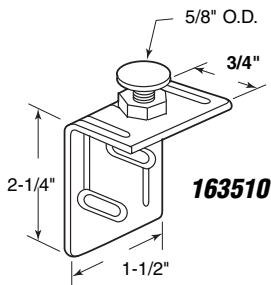
163178 (Front - for 3/4", 1-1/8" and 1-3/4" thick doors)
163179 (Back - for 1-1/8", 1-3/8" and 1-3/4" thick doors))

Side Mount Roller Bracket

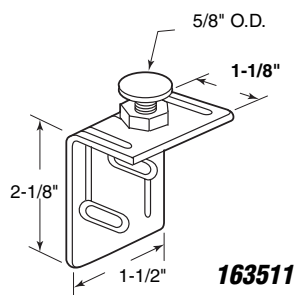
Contents: 1 roller bracket.

Description: Plated steel bracket; side mount bracket for (4) wheel carrier no. **161855**; used on wardrobe and pocket doors.

You may wish to stock these related parts: **161855**, **163132**.



163510



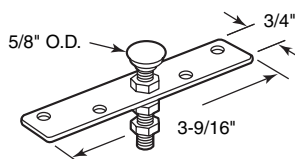
163511

163510 (For 1-1/8" and 1-3/4" thick doors)
163511 (For 1-1/8", 1-3/8" and 1-3/4" thick doors)

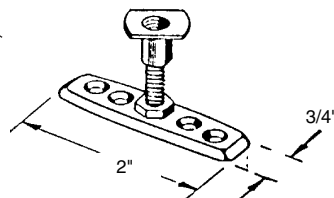
Roller Bracket

Contents: 1 roller bracket.

Description: Plated steel bracket; side mount bracket for 4 wheel carrier no. **163509**; used on wardrobe and pocket doors.



163512



163132

163132
163512

Top Mount Roller Bracket

Contents: 1 threaded bracket; 1 tee nut; 4 no. 8 x 1-1/4" screws.

Description: Top mounting steel bracket; adjustable; use **161855** with **163132** and **163509** with **163512**.

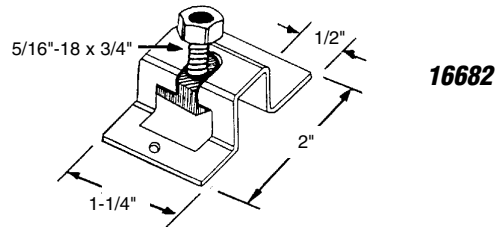
16682

Top Mount Roller Bracket

Contents: 1 bracket assembly.

Description: Steel bracket with threaded stud and nut; used with **16209-A** and **16223** roller assemblies.

You may wish to stock these related parts: **16209-A**, **16223**.



161910 (Brass finish)

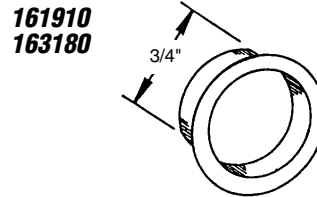
163180 (Nickel-plated finish)

Finger Pull

Contents: 4 pulls.

Description: Plated steel pull; fits a **3/4\"**

You may wish to stock these related parts: **161096**, **161095**, **162457**.



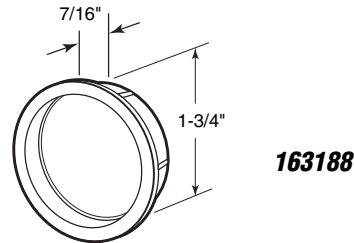
163188

Pull Handle

Contents: 2 pulls.

Description: Ivory colored plastic pull; fits a **1-3/4\"**

You may wish to stock these related parts: **16216-F**, **16216-B**, **16451**, **163138**.



163138 (Brass finish)

163139 (Antique brass finish)

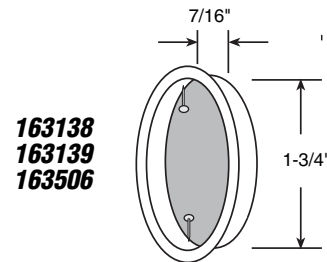
163506 (Chrome finish)

Pull Handle

Contents: 2 pull handles; 4 nails.

Description: Plated steel pull; fits a **1-3/4\"**

You may wish to stock these related parts: **161096**, **161095**, **163136**, **163137**.



161096 (Brass finish - 1 per card)

162986 (Brass finish - 2 per card)

163136 (Antique brass finish - 2 per card)

162062 (Chrome finish - 2 per card)

CCEP-6698 (Brass finish - 2 per bag)*

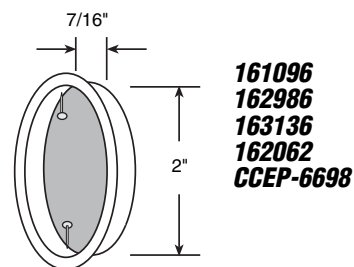
Pull Handle

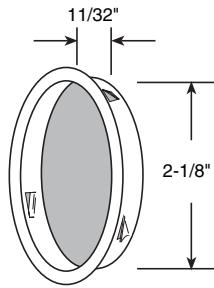
Contents: Pull handle with nails.

Description: Plated steel pull; fits a **2\"**

*50 bags per cut-case box.

You may wish to stock these related parts: **161095**.





161095
162987
163137
162063
CCEP-6699

161095 (Brass finish - 1 per card)
162987 (Brass finish - 2 per card)
163137 (Antique brass finish - 2 per card)
162063 (Chrome finish - 2 per card)
CCEP-6699 (Brass finish - 2 per bag)*

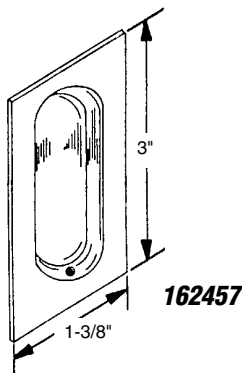
Pull Handle

Contents: Pull handle with nails.

Description: Plated steel pull; fits a 2-1/8" diameter hole; held in place by 2 nails; used by many wardrobe door manufacturers.

*50 bags per cut-case box.

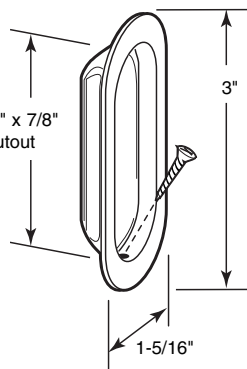
You may wish to stock these related parts: **161096**.



162457

162460

2-5/8" x 7/8"
Cutout



162457 (Rectangular face)
162460 (Oval face)

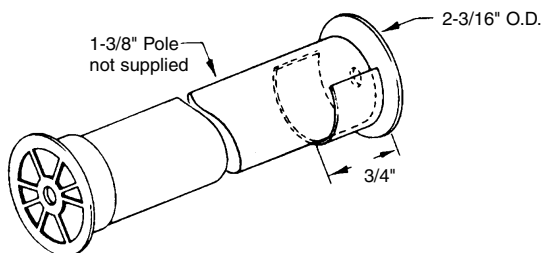
Pull Handle

Contents: 2 pulls; 4 nails or screws.

Description: Brass plated steel sliding door pull for pocket doors; fits a 7/8" x 2-5/8" mortise.

You may wish to stock these related parts: **161496**.

16815
16815-EB
CCEP-6568



1-3/8" Pole
not supplied

2-3/16" O.D.

3/4"

16815 (1 set - carded)
16815-EB (Bagged)**
CCEP-6568 (Bagged)*

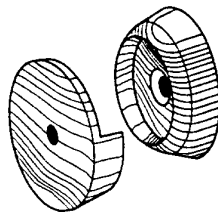
Pole Sockets

Contents: 1 set of pole sockets; 2 no. 8 x 3/4" Phillips flat head sheet metal screws.

Description: Plastic pole sockets accept a 1-3/8" standard wood pole; universal design.

*50 bags per cut-case box.
**100 per bag.

161898
CCEP-6794



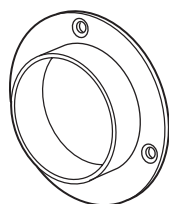
161898
CCEP-6794 (Bagged)*

Pole Sockets

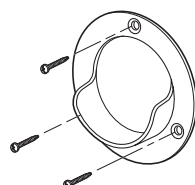
Contents: 1 set of sockets; with fasteners.

Description: Wood socket for standard 1-3/8" diameter pole.

*50 bags per cut-case box.



163205



163205 (Brass finish)

Pole Sockets

Contents: 1 set of sockets with fasteners.

Description: Plated stamped steel socket for standard 1-3/8" diameter pole.

You may wish to stock these related parts: **161898**, **16815-EB**, **163201**.

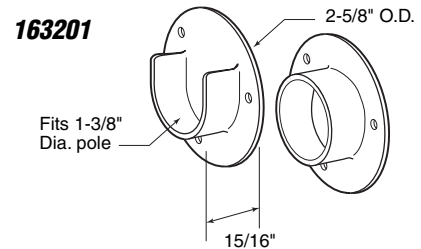
163201 (White)

Pole Sockets

Contents: 1 set of sockets; with fasteners.

Description: Diecast socket for standard 1-3/8" diameter pole.

You may wish to stock these related parts: **161898, 16815.**



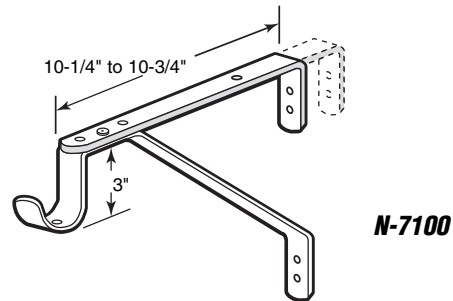
N-7100 (Light gray)

Shelf & Rod Support Bracket

Contents: 1 bracket; 2 no. 8 x 5/8" screws; 2 no. 10 x 1-1/2" Phillips pan head sheet metal screws.

Description: Heavy duty (12 ga.) painted steel bracket; 1/2" adjustment for use with or without shelf cleats; 3" hook allows easy accessibility of coat hangers to rod; will support shelves 11" to 14" deep and rods up to 1-3/8" diameter.

You may wish to stock these related parts: **N-7099, N-7101.**



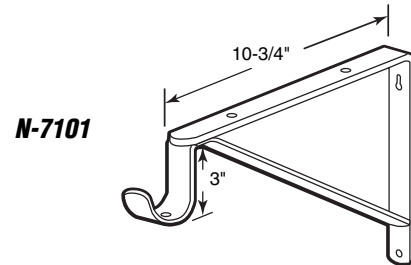
N-7101 (Light gray)

Shelf & Rod Support Bracket

Contents: 1 bracket; 2 no. 8 x 5/8" screws; 2 no. 10 x 1-1/2" Phillips pan head sheet metal screws.

Description: Heavy duty (12 ga.), non-adjusting, painted steel bracket; 3" hook allows easy accessibility of coat hangers to rod; will support shelves 11" to 14" deep and rods up to 1-3/8" diameter.

You may wish to stock these related parts: **N-7099, N-7100.**



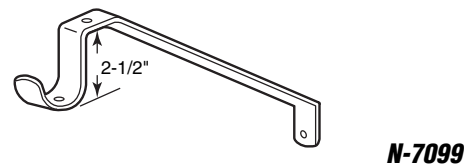
N-7099 (Light gray)

Shelf & Rod Support Bracket

Contents: 1 bracket; 2 no. 8 x 5/8" screws; 2 no. 10 x 1-1/2" Phillips pan head sheet metal screws.

Description: Painted (16 ga.) steel bracket; used to support shelves 11" to 14" deep and rods up to 1-3/8" diameter.

You may wish to stock these related parts: **N-7100, N-7101.**



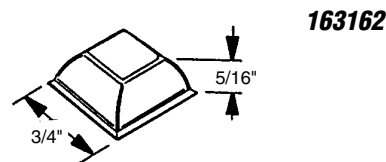
163162

Adhesive Bumpers

Contents: 4 bumpers.

Description: Anti-slam protective stops; resilient polyurethane; pressure sensitive adhesive; no screws necessary.

You may wish to stock these related parts: **161096, 161095.**



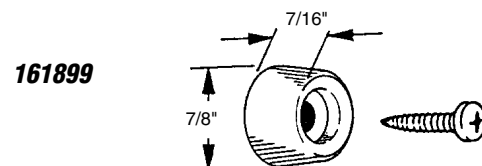
161899

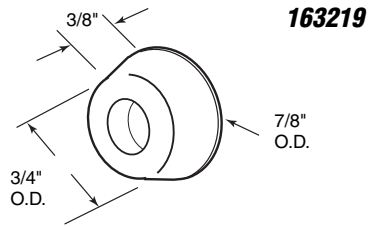
Jamb Bumper

Contents: 4 bumpers; 4 no. 8 x 3/4" Phillips pan head sheet metal screws.

Description: Rubber bumper mounts onto jamb to prevent wardrobe doors from slamming.

You may wish to stock these related parts: **161096, 161095.**





163219

163219

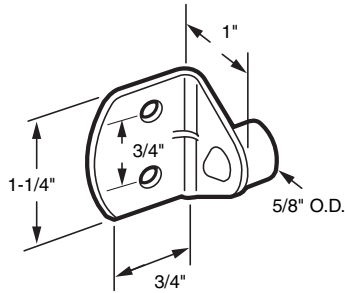
Jamb Bumper

Contents: 4 bumpers.

Description: Clear polyurethane; self adhesive backed.

You may wish to stock these related parts: **161096, 161095.**

162462



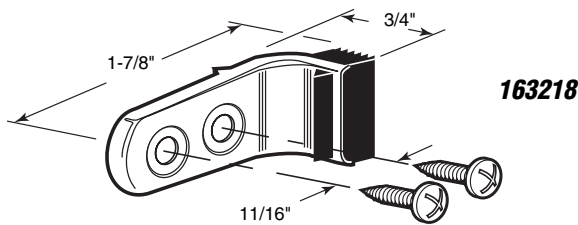
162462

Door Bumper

Contents: 1 stop; 3 no. 8 x 3/4" Phillips pan head sheet metal screws.

Description: Nylon housing with rubber bumper; designed for mounting on the back of the front bi-passing door to limit the travel of the rear door.

You may wish to stock these related parts: **161096, 161095.**



163218

163218

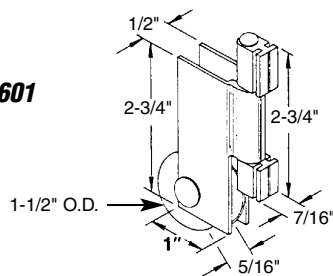
Door Stop

Contents: 1 stop; 2 no. 8 x 3/4" Phillips pan head sheet metal screws.

Description: Zinc plated steel housing with rubber bumper; designed for mounting on the back of the front bi-passing door to limit the travel of the rear door.

You may wish to stock these related parts: **161096, 161095.**

13601



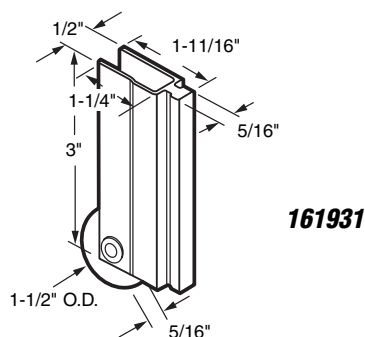
13601

Roller

Contents: 1 roller assembly.

Description: 1-1/2" diameter nylon ball bearing wheel; 3 piece pivoting aluminum housing assembly; fits on *Monarch Door Company* for "800" series aluminum frame doors.

*Call for
Availability*



161931

161931

Roller

Contents: 1 roller assembly.

Description: 1-1/2" diameter nylon ball bearing wheel; with adjustable aluminum housing bracket; bracket has "T" shaped extruded boss; fits on *Contractors Mirror Door Company*.

You may wish to stock these related parts: **163174.**

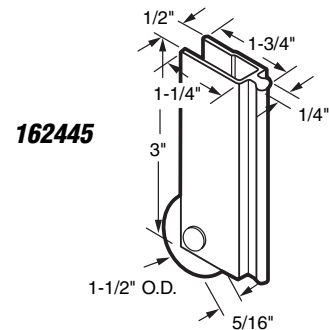
162445

Roller

Contents: 1 roller assembly.

Description: 1-1/2" diameter **nylon ball bearing** wheel; with adjustable **aluminum** housing bracket; bracket has round extruded boss; fits on **Monarch Door Company for "500" series** aluminum frame doors.

You may wish to stock these related parts: **13650**.



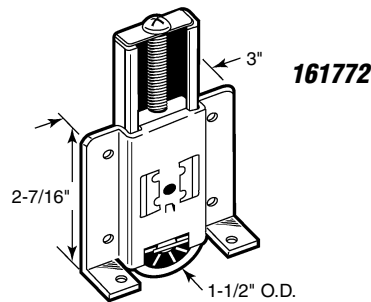
161772

Mirror Door Roller

Contents: 1 roller assembly; 1 set of installation screws.

Description: Adjustable **steel** housing with 1-1/2" diameter concave, **non-ball bearing plastic** wheel; used on **Cox Series 21 and 22 Door Systems**.

You may also wish to stock these related parts: **163156**.



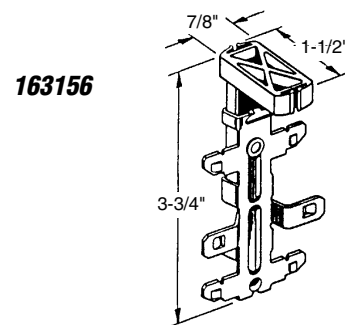
163156

Mirror Door Top Guide

Contents: 2 guide assemblies.

Description: **Steel** snap-in design housing with **plastic** guide head; used on **Cox Series 21 Steel Door Systems**.

You may also wish to stock these related parts: **161772**.



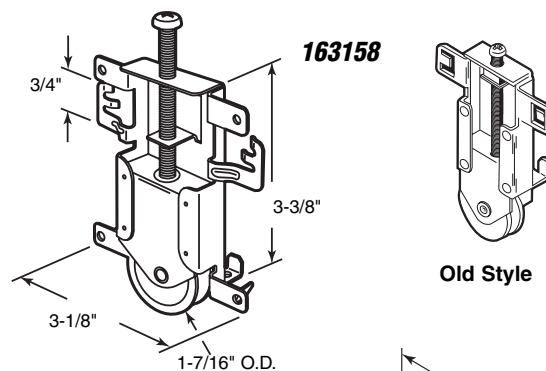
163158

Mirror Door Roller

Contents: 1 roller assembly

Description: Adjustable **steel** housing with 1-7/16" diameter **concave nylon ball bearing** wheel; used on steel framed doors, snap-in design.

You may also wish to stock these related parts: **163159**.

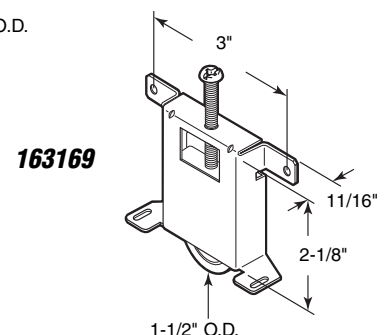


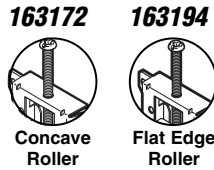
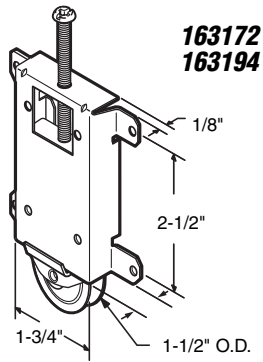
163169

Mirror Door Roller

Contents: 1 roller assembly.

Description: Adjustable **steel** housing; 1-1/2" diameter **concave nylon ball bearing** wheel; most commonly used on wood framed sliding mirror doors.



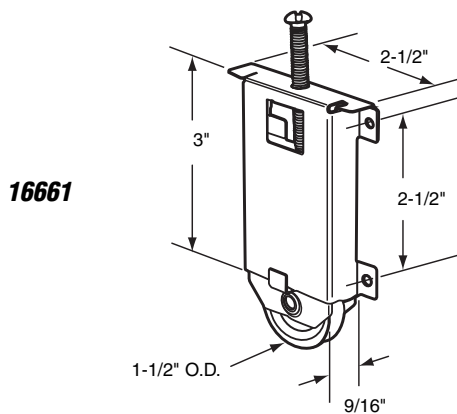


163172 (Concave roller)
163194 (Narrow style - flat edge roller)

Mirror Door Roller

Contents: 1 roller assembly.

Description: Adjustable **steel** housing; 1-1/2" diameter **nylon** wheel; fits on **Contractors Mirror Door**.



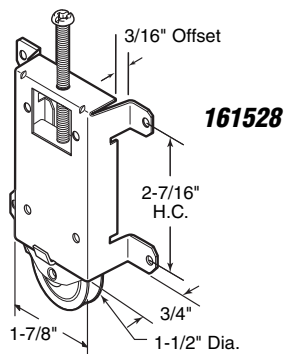
16661

Mirror Door Roller

Contents: 1 roller assembly.

Description: 1-1/2" diameter **concave nylon ball bearing** wheel; **steel** housing with adjustment screw; fits on **Monarch Mirror Doors "L" series** steel frame door.

You may wish to stock these related parts: **163104, 16302**.

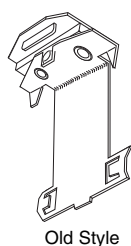


161528

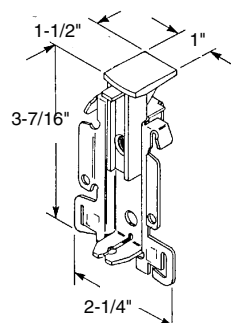
Mirror Door Roller

Contents: 1 roller assembly.

Description: 1-1/2" diameter **nylon** wheel; **steel** housing with adjustment screw; used by several mirror door manufacturers.



163159



163159

Mirror Door Top Guide

Contents: 2 guides.

Description: **Steel** snap-in design housing with **plastic** guide head; used on steel framed doors.

You may wish to stock these related parts: **163158**.

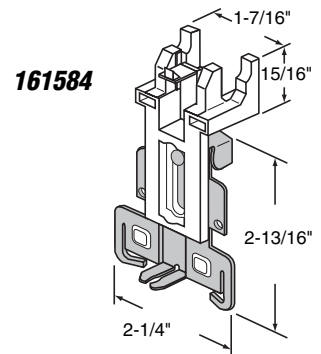
161584

Mirror Door Top Guide

Contents: 2 guides.

Description: Steel snap-in design housing with plastic guide head; used on *Acme* doors.

You may wish to stock these related parts: **163197-B**.



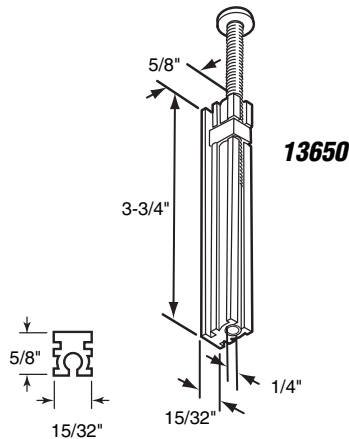
13650

Mirror Door Roller Mounting Bracket

Contents: 1 bracket with adjustment screw.

Description: Extruded aluminum adjustment bracket used with **162445**; fits on *Monarch Mirror for series 500* aluminum framed doors.

You may wish to stock these related parts: **163104**, **161931**, **13602**.



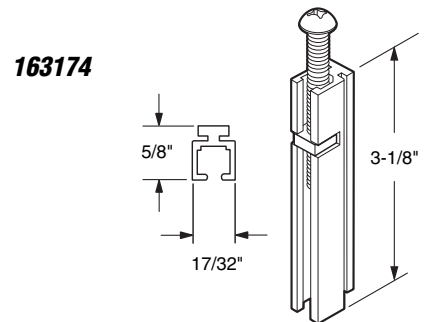
163174

Mirror Door Roller Mounting Bracket

Contents: 1 bracket with adjustment screw.

Description: Extruded aluminum adjustment bracket used with **161931**; fits on *Contractors Mirror Door* on aluminum framed doors.

You may wish to stock these related parts: **163104**, **161931**, **13602**.



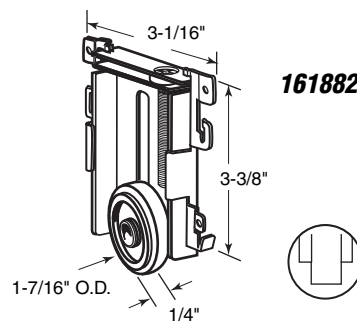
161882

Mirror Door Bottom Roller

Contents: 1 roller assembly.

Description: 1-7/16" diameter, flat nylon non-ball bearing wheel with adjustable steel housing, snap-in bracket for steel framed doors.

You may wish to stock these related parts: **163147**, **163191**.



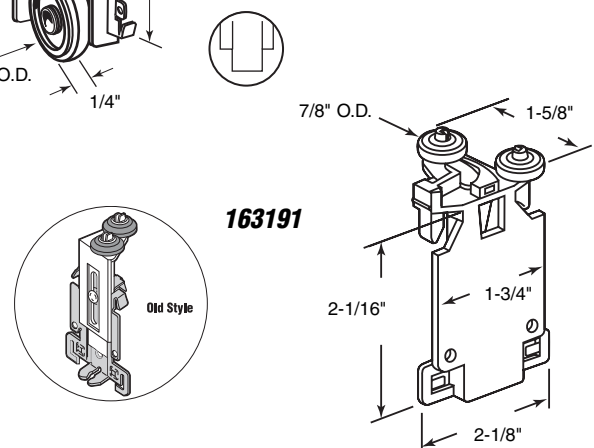
163191

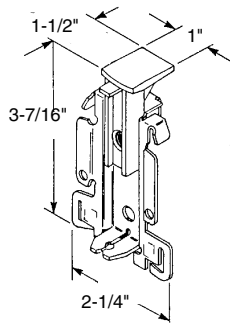
Mirror Door Top Guide

Contents: 2 top guide assemblies.

Description: Twin rubber guide wheels; mounted horizontally on a stamped steel, snap-in housing; for steel framed doors.

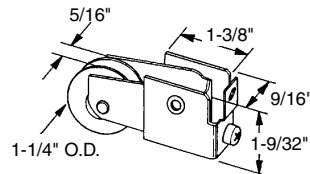
You may wish to stock these related parts: **161882**.



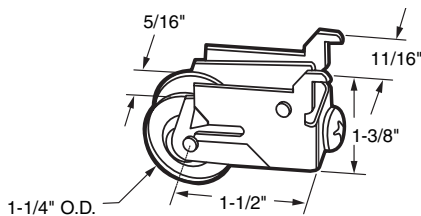


163147

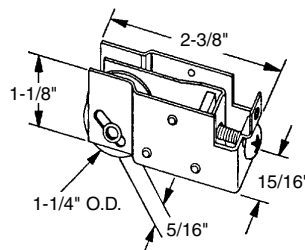
13173



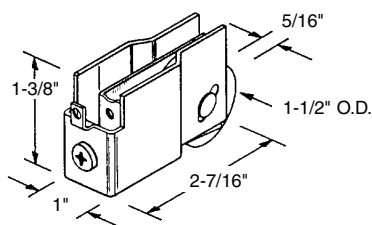
163094



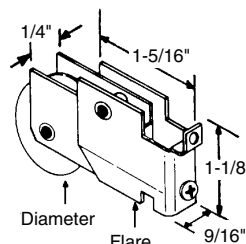
163095



131683
163096



162399
161932



163147

Mirror Door Top Guide

Contents: 2 top guide assemblies.

Description: Nylon top guide; stamped steel, snap-in housing; for steel framed doors.

You may wish to stock these related parts: **161882**.

13173

Mirror Door Roller Assembly

Contents: 1 roller assembly.

Description: 1-1/4" diameter nylon ball bearing wheel; adjustable steel housing assembly; fits on *Glassco* and other manufacturers.

You may wish to stock these related parts: **161783**.

163094

Mirror Door Roller Assembly

Contents: 1 roller assembly.

Description: 1-1/4" diameter nylon ball bearing wheel; adjustable steel housing assembly; fits on *El Cajon*, *Premiere* and several other mirror door manufacturers.

You may wish to stock these related parts: **161783**.

163095

Mirror Door Roller Assembly

Contents: 1 roller assembly.

Description: 1-1/4" diameter nylon ball bearing wheel; adjustable steel housing assembly.

131683 (Nylon ball bearing)

163096 (Steel ball bearing)

Mirror Door Roller Assembly

Contents: 1 roller assembly.

Description: 1-1/2" diameter ball bearing wheel; adjustable steel housing assembly; fits on *Joe Keith Company*.

162399 (1-1/8" diameter - steel ball bearing)

161932 (1-1/4" diameter - nylon ball bearing)

Mirror Door Roller Assembly

Contents: 1 roller assembly.

Description: Ball bearing wheel; adjustable steel housing assembly; overall width at flare is 11/16"; fits on *Crest Mirror Door*, *Manufacturers Mirror Door* and others.

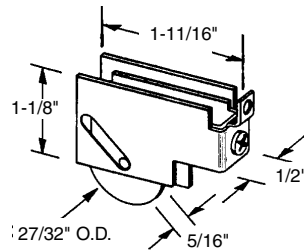
Note: Old part no. **163097** is the same as **162399**.

163098

Mirror Door Roller Assembly

Contents: 1 roller assembly.

Description: 27/32" diameter **steel ball bearing** wheel; adjustable **steel** housing assembly; fits on *Manufacturers Mirror Door* and *House of Aluminum*.



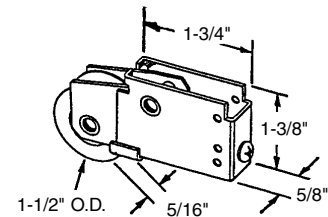
163098

161771

Mirror Door Roller Assembly

Contents: 1 roller assembly.

Description: 1-1/2" diameter **nylon ball bearing** wheel; adjustable **steel** housing assembly; fits on *Marshall Door*.



161771

163105

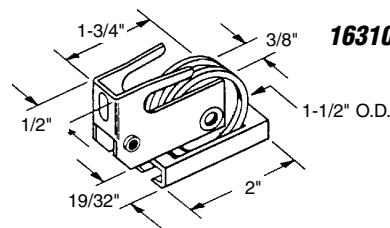
Mirror Door Roller Assembly

Call for Availability

Contents: 1 roller assembly

Description: 1-1/2" diameter **nylon** wheel; **special steel** and **plastic** housing assembly; fits on *Ador/HiLite Mirror Wardrobe Doors*.

You may also wish to stock these related parts: **163108**, **163119**.



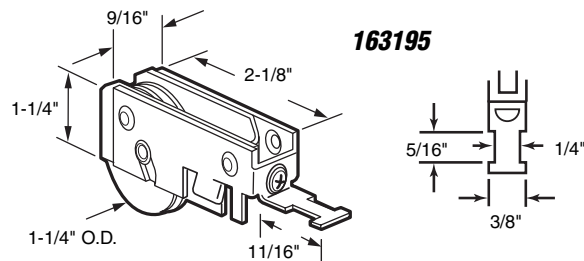
163105

163195

Mirror Door Roller Assembly

Contents: 1 roller assembly.

Description: 1-1/4" diameter **nylon ball bearing** wheel; adjustable **steel** housing assembly; fits on *Bay King* and other door manufacturers.



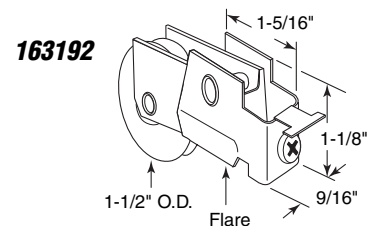
163195

163192

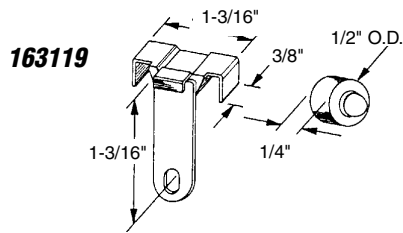
Mirror Door Roller Assembly

Contents: 1 roller assembly.

Description: 1-1/2" diameter **nylon ball bearing** wheel; adjustable **steel** housing assembly; overall width at flare is 25/32"



163192



163119

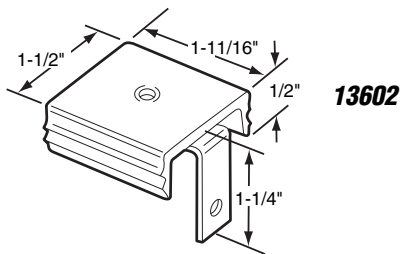
163119

Mirror Door Guide and Bumper

Contents: 2 guides; 2 bumpers.

Description: Nylon top guide designed for sliding mirror doors; rubber bumper fits onto vertical door rail; fits on *Ador/HiLite*.

You may also wish to stock these related parts: **163105, 163108.**



13602

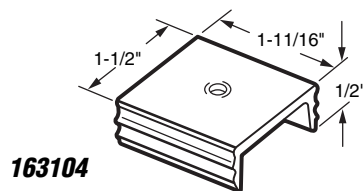
13602

Mirror Door Guide & Bracket

Contents: 2 top guides; (2) no. 10 x 1/2" Phillips pan head sheet metal screws.

Description: Flexible plastic top guide with steel mounting bracket used on *Monarch Sliding Mirror Doors*; replaces old style "K" Design.

You may wish to stock these related parts: **163104, 162445, 16661.**



163104

163104

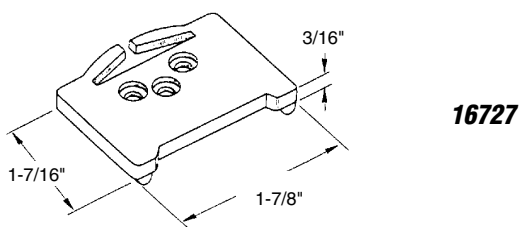
Mirror Door Guide

Contents: 2 guides; (2) no. 10 x 3/8" Phillips pan head sheet metal screws.

Description: Flexible vinyl guide used to replace top guide on *Monarch* mirror door guide **13602**.

You may also wish to stock these related parts: **161931, 162445, 16661.**

Call for
Availability



16727

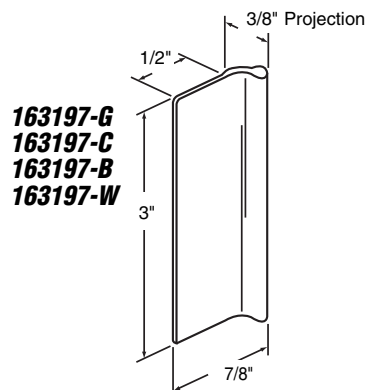
16727

Mirror Door Top Guides

Contents: 2 guides.

Description: Nylon top guides used on sliding mirror doors; used on *Contractors Wardrobe* doors.

You may also wish to stock these related parts: **163104, 16661.**



163197-G
163197-C
163197-B
163197-W

163197-G (Polished gold)

163197-C (Chrome)

163197-B (Bronze)

163197-W (White)

Mirror Door Pull

Contents: 1 pull.

Description: Plated or painted diecast pull; supplied with pressure sensitive adhesive backing.

Bi-pass Door Hardware

- 163198-G** (Polished gold)
- 163198-C** (Chrome)
- 163198-B** (Bronze)
- 163198-W** (White)

Mirror Door Pull

Contents: 1 pull.

Description: Plated or painted diecast pull; supplied with pressure sensitive adhesive backing.

161783

Mirror Door Pull

Contents: 2 pulls.

Description: Beveled mirrored glass pull; pressure sensitive adhesive backing.

162038

Guide

Contents: 2 guides; (6) no. 8 x 5/8" Phillips pan head sheet metal screws.

Description: Nylon construction; one piece design; bottom mount; for 1-3/8" thick doors, universal design.

You may wish to stock these related parts: **16217**, **16136**, **16104**.

- 16217** (1 per card)
- 162977** (2 per card)
- CCEP-6560** (2 per bag)*

Guide

Contents: Guide assembly; no. 8 x 3/4" Phillips pan head sheet metal screws.

Description: Steel base with nylon tips; adjustable bottom bracket; fits 3/4" to 1-3/8" thick bi-passing doors; fits on **Acme** and others.

*30 bags per cut case box.

You may wish to stock these related parts: **16216-F**, **16216-B**, **16218-F**, **16218-B**.

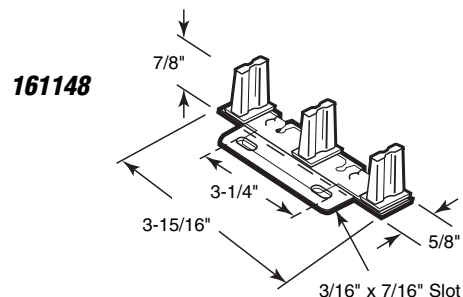
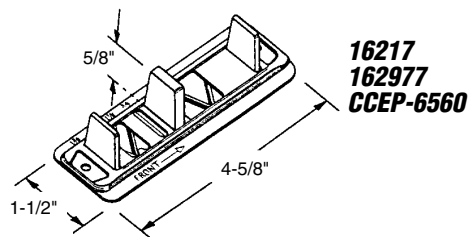
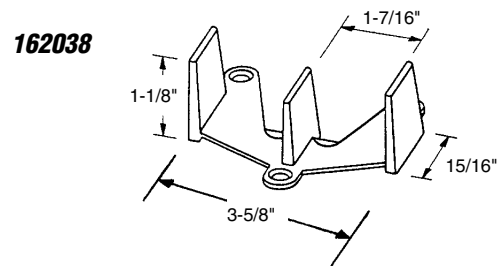
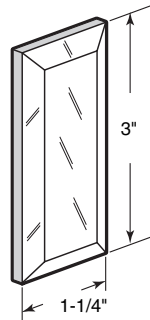
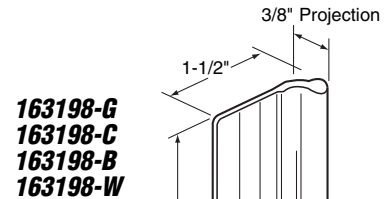
161148

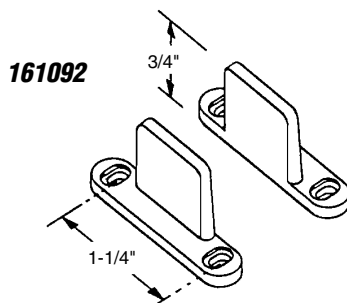
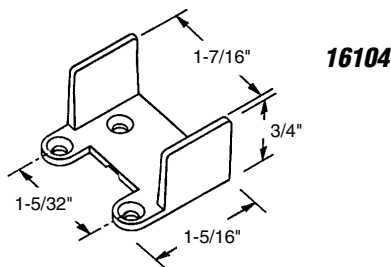
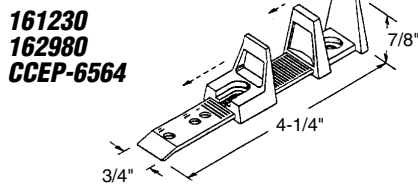
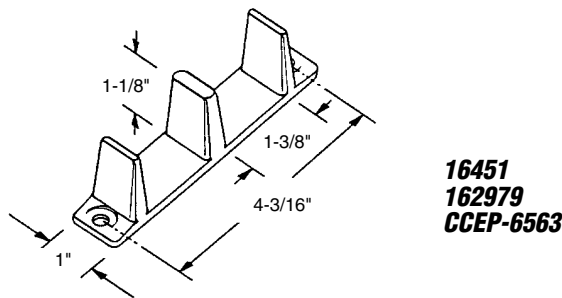
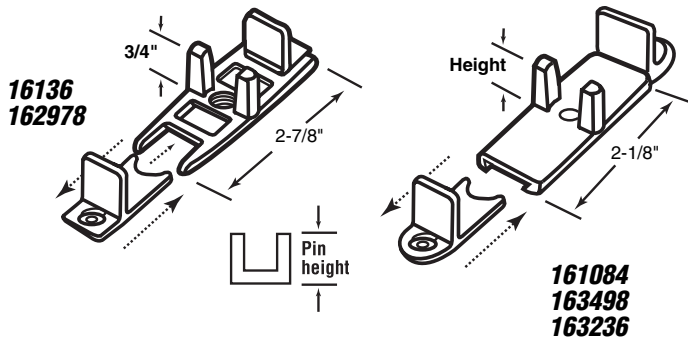
Guide

Contents: 1 guide assembly; 1 set of fasteners.

Description: Steel base with nylon guide tips; adjustable for either 3/4" or 1-3/8" thick doors; designed for use with **161149** carpet riser; fits on **Johnson Hardware**.

You may wish to stock these related parts: **161150**, **161151**.





- 16136** (3/4" high guide pins - 1 per card)
- 162978** (3/4" high guide pins - 2 per card)
- 161084** (1" high guide pins - 1 per card)
- 163498** (1" high guide pins - 2 per card)
- 163236** (1-1/4" high guide pins - 2 per card)

Guide

Contents: Guide assembly with no. 8 x 3/4" Phillips pan head sheet metal screws.

Description: Nylon guide pins; adjustable, nylon bottom mount bracket; fits 3/4" to 1-3/8" thick bi-passing doors; used by many manufacturers.

You may wish to stock these related parts: **161371, 161372, 161998 thru 161112.**

- 16451** (1 per card)
- 162979** (2 per card)
- CCEP-6563** (2 per bag)*

Guide

Contents: Guide with no. 8 x 3/4" Phillips pan head sheet metal screws.

Description: Nylon; bottom mount; for 1-3/8" thick bi-passing doors; universal design.

***30 bags per cut case box.**

- 161230** (1 per card)
- 162980** (2 per card)
- CCEP-6564** (2 per bag)*

Guide

Contents: Guide assembly with no. 8 x 3/4" Phillips pan head sheet metal screws.

Description: Floor mount; nylon adjustable guide for 3/4" to 1-3/8" thick bi-passing doors; universal design.

***40 bags per cut case box.**

16104

Guide

Contents: 1 guide; (4) no. 8 x 3/4" Phillips pan head sheet metal screws.

Description: Single door; bottom mount; nylon retainer; used by many manufacturers.

161092

Guide

Contents: 1 set of nylon guides; (4) no. 8 x 3/4" Phillips pan head sheet metal screws.

Description: Floor mount nylon bottom guides; use one pair for any thickness single door, or can be installed in series for multiple doors.

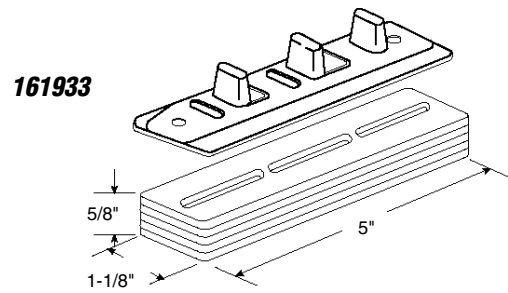
161933

Guide and Carpet Risers

Contents: 1 guide; 5 riser plates; 2 installation screws and 2 plastic anchors.

Description: Nylon bottom guide tips with steel bracket adjusts for 3/4" to 1-3/8" thick doors; 1/8" thick plastic shim plates to raise guide up to 5/8" above carpet.

You may wish to stock these related parts: **16216-F, 16216-B, 16218-F, 16218-B.**



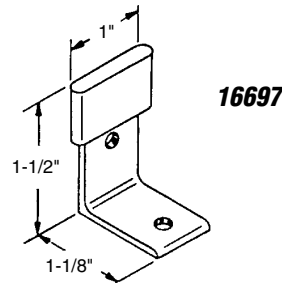
16697

Bottom Guide Brackets

Contents: 2 brackets; (2) no. 8 x 1/2" Phillips pan head sheet metal screws.

Description: Aluminum bracket with nylon tip; used as a floor guide on sliding wardrobe doors; fits on *Like*.

You may wish to stock these related parts: **16468, 16466, 16752.**



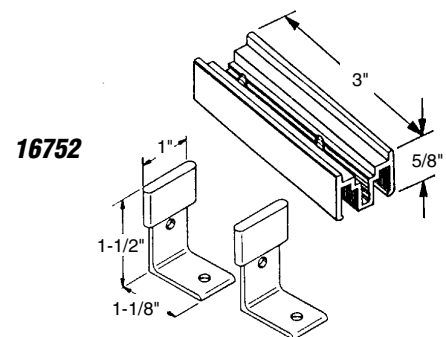
16752

Guides and Carpet Riser

Contents: 1 riser block; 2 guides; 1 set of installation screws.

Description: Aluminum riser block and aluminum brackets with nylon tips used to guide *Like* bi-passing doors.

You may wish to stock these related parts: **16697.**



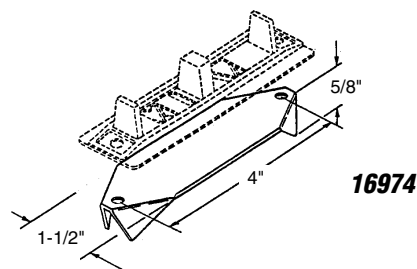
16974

Carpet Riser

Contents: 1 riser; (2) no. 8 x 1-1/4" Phillips pan head sheet metal screws.

Description: Plated steel riser used for mounting door guide over carpeted floors; 5/8" high rise.

You may wish to stock these related parts: **16217, 16451.**



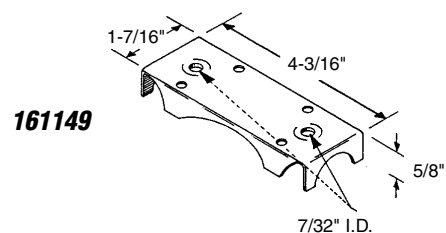
161149

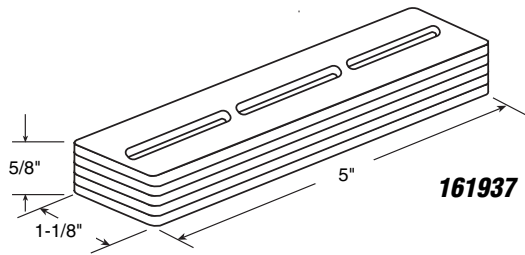
Carpet Riser

Contents: 1 riser; 1 set of fasteners.

Description: Steel riser used for mounting door guide over carpeted floors; allows 5/8" lift; designed specifically for use with N-6796 door guide; fits on *Johnson Hardware*.

You may wish to stock these related parts: **161148, 161150, 161151.**





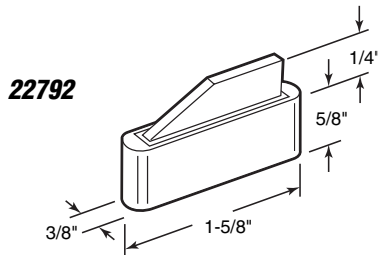
161937 (White)

Carpet Riser

Contents: 5 risers; 1 set of fasteners.

Description: Nylon risers used for mounting guide over carpeted floors; allows lift from 1/8" thick to 5/8".

You may wish to stock these related parts: **16217, 16136, 16451, 161230, 161084.**



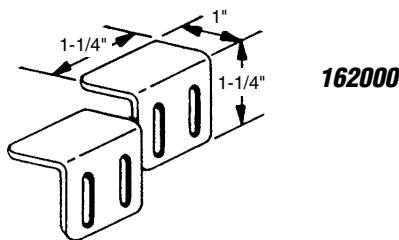
22792

Top Guide

Contents: 2 guides.

Description: Spring loaded nylon top guide adjusts for variations in opening height; requires a 1/8" groove in top track; fits a 1-5/8" x 3/8" x 5/8" mortise slot in door rail.

You may wish to stock these related parts: **16759 thru 16777.**



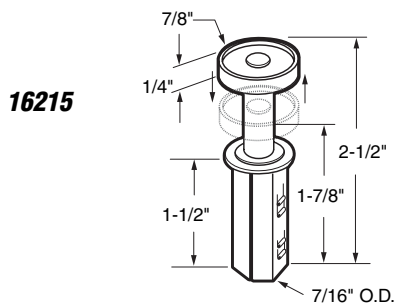
162000

"Jump-Proof" Guard™

Contents: 4 guards with installation screws

Description: Plated steel Jump-Proof Guard™ brackets; use 2 per door; prevents doors from jumping the track; mounts next to roller at top of door; limits upward door movement.

You may wish to stock these related parts: **161899; 161910.**



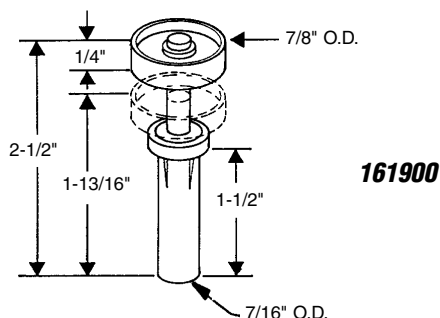
16215

Guide Wheel

Contents: 2 guide wheels.

Description: Spring loaded; 7/8" diameter nylon wheel; top mount; self-adjusting in track for smooth guiding of lead door; fits 1" to 1-3/8" thick bi-fold doors up to 30 lbs. each; steel base; fits on *Acme* and *Cox*.

You may wish to stock these related parts: **16299, 16297, 16369, 16260.**



161900

Guide Wheel

Contents: 2 guide wheels.

Description: Spring loaded; 7/8" diameter nylon wheel; top mount; self-adjusting in track for smooth guiding of lead door; fits 1" to 1-3/8" thick bi-fold doors up to 30 lbs. each; nylon base; fits on *Cox*.

You may wish to stock these related parts: **161901, 161902, 162058.**

161515

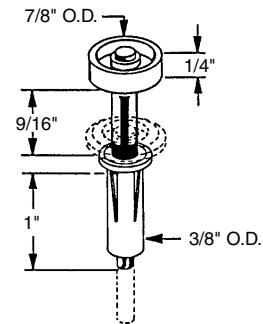
Guide Wheel

Contents: 2 guide wheels.

Description: Spring loaded **top guide** has 7/8" diameter **nylon** wheel; 3/8" diameter **nylon** base; fits on **Kenna Frame** and others.

You may wish to stock these related parts: **161111, 161107.**

161515



162015

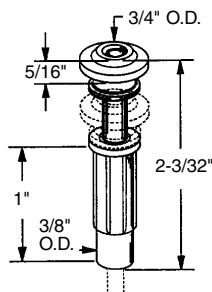
Guide Wheel

Contents: 2 guide wheels.

Description: Spring loaded **top guide** has 3/4" diameter **nylon** wheel; 3/8" diameter **nylon** base; used by many wardrobe door manufacturers.

You may wish to stock these related parts: **16554, 161111, 161107, 163469.**

162015



161978

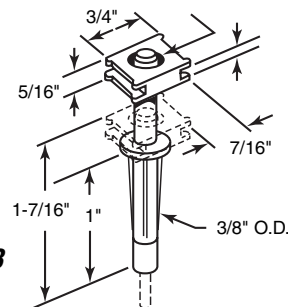
Guide

Contents: 2 guides.

Description: Spring loaded **top guide** has square **nylon** guide tip and 7/16" inside slot; 3/8" diameter **nylon** base; fits on **Alliance** and others.

You may wish to stock these related parts: **161111, 161107, 163469, 163471.**

161978



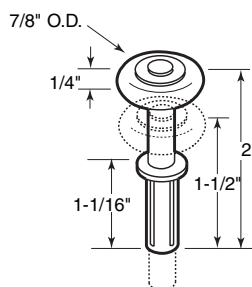
161109

Guide Wheel

Contents: 1 guide wheel.

Description: 7/8" diameter **nylon** wheel on spring-loaded **steel** shaft; **top mount**; **plastic** housing tapers to 3/8" diameter; use hammer to tap into drilled hole.

161109



16467 (1 per card)

162981 (2 per card)

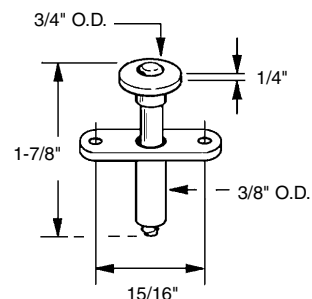
Guide Wheel

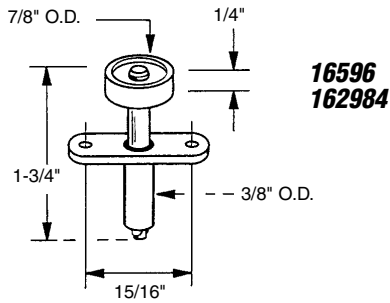
Contents: Guide wheel with 1-1/4" nails.

Description: Spring loaded; 3/4" diameter **nylon** wheel; **top mount**; self-adjusting; **steel** base; fits 1" to 1-3/8" thick bi-fold doors up to 30 lbs. each.

You may wish to stock these related parts: **16471, 16470.**

16467
162981





16596
162984

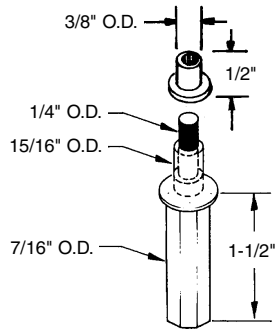
16596 (1 per card)
162984 (2 per card)

Guide Wheel

Contents: Guide wheel with 1-1/4" nails.

Description: Spring loaded; 7/8" diameter nylon wheel; top mount; self-adjusting; steel base; fits 1" to 1-3/8" thick bi-fold doors up to 30 lbs. each.

You may wish to stock these related parts: **16471, 16470.**



16260
162974

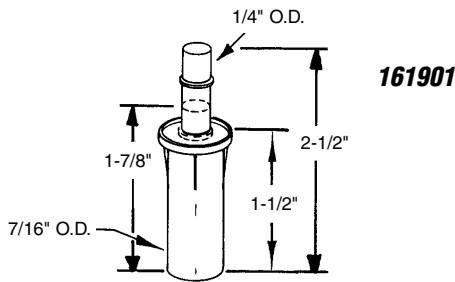
16260 (1 per card)
162974 (2 per card)

Pivot

Contents: Pivot with optional guide cap.

Description: Top mount; spring loaded pin; fits 1" to 1-3/8" thick bi-fold doors up to 50 lbs. each; steel base; 3/8" diameter nylon guide cap; fits on Acme and Cox.

You may wish to stock these related parts: **16465, 16472, 16297, 16369, 16261.**



161901

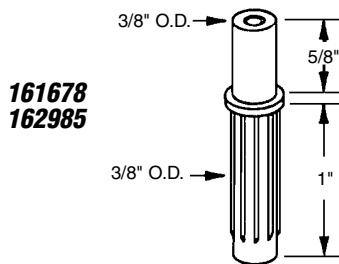
161901

Pivot

Contents: 2 pivots.

Description: Top mount; spring loaded pin; fits 1" to 1-3/8" thick bi-folding doors up to 30 lbs. each; nylon base; fits on Cox.

You may wish to stock these related parts: **162099, 161902, 162058.**



161678
162985

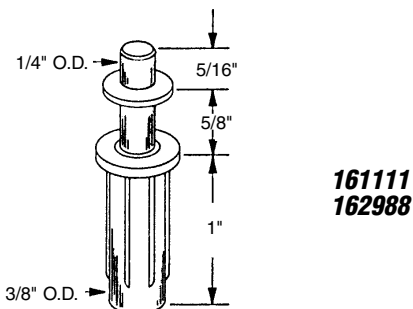
161678 (2 per card)
162985 (4 per card)

Pivot and Guide

Contents: Pivot guides.

Description: Solid nylon guide and pivot; 3/8" diameter base; top mount; used by many wardrobe door manufacturers.

You may wish to stock these related parts: **161509, 161510, 161934, 163472, 161979.**



161111
162988

161111 (1 per card)
162988 (2 per card)

Pivot

Contents: Pivot.

Description: Spring loaded pivot has 1/4" diameter pin; 3/8" diameter nylon base; top mount; used by many wardrobe door manufacturers.

You may wish to stock these related parts: **163469, 163470.**

161144 (1 per card)
162989 (2 per card)

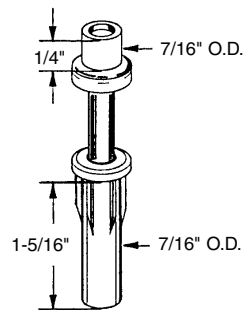
Pivot and Guide

Contents: Pivot guide.

Description: Spring loaded pivot guide; 7/16" diameter nylon cap with 7/16" diameter nylon base; top mount; fits on *Johnson* and others.

You may wish to stock these related parts: **161145; 161146.**

161144
162989



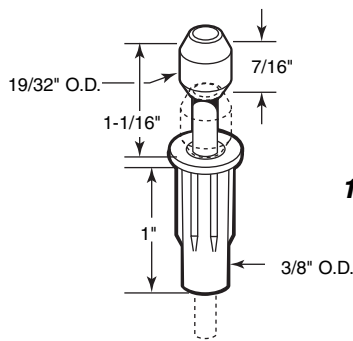
162014

Pivot

Contents: 2 pivots.

Description: Spring loaded pivot has 19/32" diameter nylon cap; 3/8" diameter nylon base; top mount; used by many wardrobe door manufacturers.

You may wish to stock these related parts: **161111, 161515, 161107.**



162014

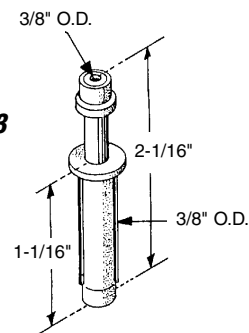
163143

Pivot

Contents: 2 pivots; 2 caps.

Description: Spring loaded guide with a 3/8" diameter nylon base; top mount; includes a 3/8" diameter nylon cap.

163143



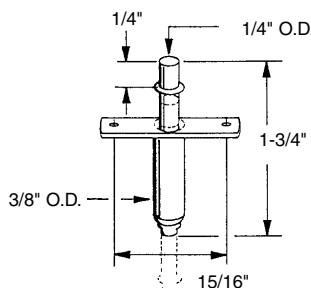
16471 (1 per card)
162982 (2 per card)

Pivot

Contents: Pivot assembly with 1-1/4" nails.

Description: Top mount steel pivot with concealed spring loaded pin for easy hanging and operating of doors.

You may wish to stock these related parts: **16467, 16470.**



16471
162982

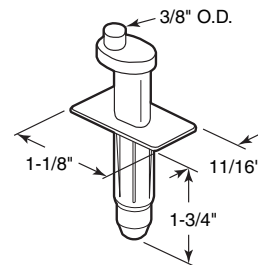
163203

Pivot

Contents: 2 pivots.

Description: Top mount nylon pivot; spring loaded pin for easy hanging and operating of doors.

163203



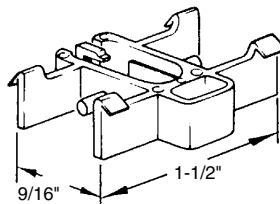
163100

Guide

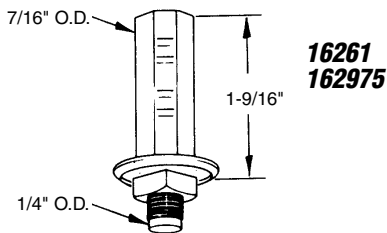
Contents: 4 top guides.

Description: Top mount; nylon guide for bi-fold doors; fits *Cox series 23.*

You may also wish to stock these related parts: **163101, 161234.**



163100



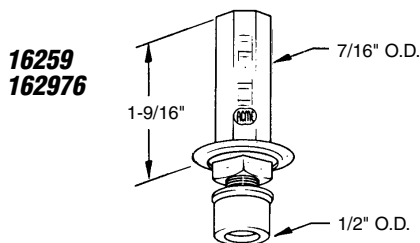
16261 (1 per card)
162975 (2 per card)

Pivot

Contents: Pivot.

Description: **Bottom mount; steel** pivot with hex head bolt for quick vertical adjustment; fits 1" to 1-3/8" thick bi-fold doors up to 50 lbs. each; fits on **Acme** and **Cox**.

You may wish to stock these related parts: **16465, 16472, 16297, 16369, 16260.**



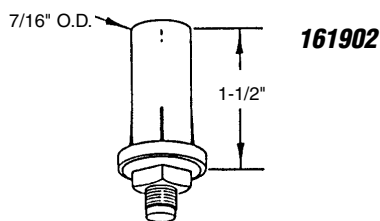
16259 (1 per card)
162976 (2 per card)

Guide Wheel

Contents: Guide wheel.

Description: Adjustable; **bottom mount; steel base** guide with hex head bolt for adjustment; **nylon** wheel cap; for 1" to 1-3/8" thick folding doors up to 50 lbs each; fits on **Acme, Cox** and **Johnson**.

You may wish to stock these related parts: **16465, 16260, 16261, 163160.**



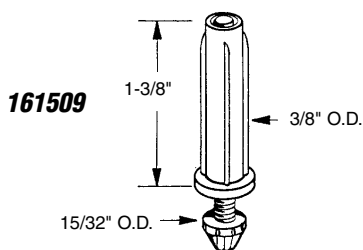
161902

Pivot

Contents: 2 pivots.

Description: **Bottom mount; nylon** base pivot uses hex head bolt for quick vertical adjustment; holds positive adjustment; fits 1" to 1-3/8" thick bi-fold doors up to 30 lbs. each.

You may wish to stock these related parts: **161900, 161901, 162058.**



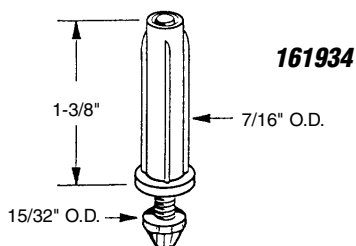
161509

Pivot

Contents: 2 pivots.

Description: Adjustable **steel** pivot; 3/8" diameter **nylon** base; **bottom mount;** grooved tip fits no. **161510** pivot bracket; used by many wardrobe door manufacturers.

You may wish to stock these related parts: **161678, 161510, 161979, 163472.**



161934

Pivot

Contents: 2 pivots.

Description: Adjustable **steel** pivot; 7/16" diameter **nylon** base; **bottom mount;** grooved tip fits no. **163472** heavy duty pivot bracket; used by many wardrobe door manufacturers.

You may wish to stock these related parts: **161678.**

Bi-fold Door Hardware

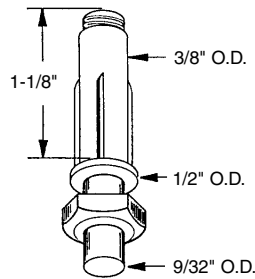
161107 (1 per card)
162990 (2 per card)

Pivot

Contents: Pivot.

Description: Adjustable pivot has 3/8" diameter nylon base; **bottom mount**; used by many wardrobe door manufacturers.

You may wish to stock these related parts: **16369, 161111, 162167.**



161107
162990

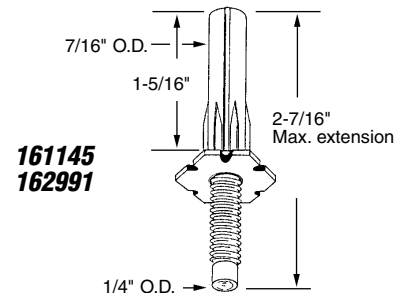
161145 (1 per card)
162991 (2 per card)

Pivot

Contents: Pivot.

Description: Adjustable pivot has 7/16" diameter nylon base; 1/4" diameter steel tip; **bottom mount**; fits *Johnson* and others.

You may wish to stock these related parts: **162058, 161144, 16915, 162017, 161146.**



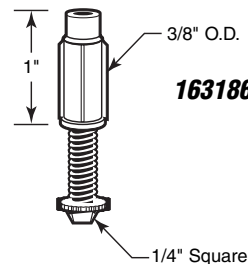
161145
162991

163186

Pivot

Contents: 2 pivots.

Description: Adjustable pivot has 3/8" diameter nylon base; **bottom mount**; used by many wardrobe door manufacturers.



163186

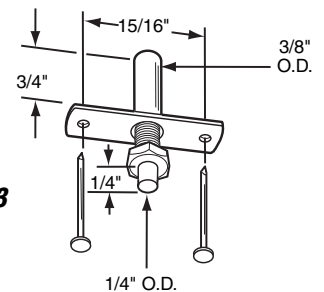
16470 (1 per card)
162983 (2 per card)

Pivot

Contents: Pivot with 1-1/2" nails.

Description: **Bottom mount**; steel pivot with hex head bolt for quick vertical adjustment; fits 1" to 1-3/8" thick bi-fold doors up to 30 lbs. each.

You may wish to stock these related parts: **16467, 16471.**



16470
162983

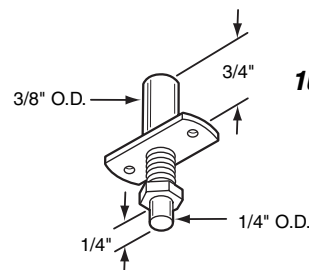
163110

Pivot

Contents: 1 pivot; (2) 1-1/2" drive nails.

Description: Adjustable steel pivot for light duty shutter doors; **bottom mount**.

You may wish to stock these related parts: **163109.**



163110

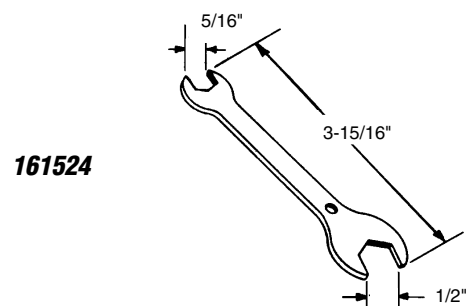
161524

Pivot Wrench

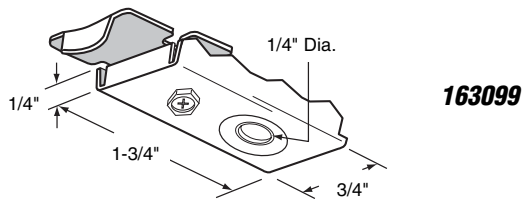
Contents: 1 wrench.

Description: Stamped steel wrench to adjust bottom pivot nuts.

You may wish to stock these related parts: **16297, 16369, 16261.**



161524



163099

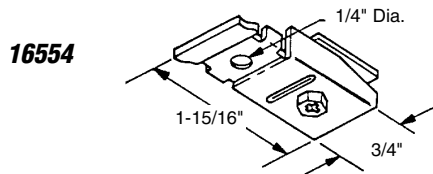
163099

Pivot Bracket

Contents: 1 bracket.

Description: Steel pivot bracket, for bi-folding doors; mounts into top track and accepts a 1/4" diameter spring loaded pin; for 7/8" wide tracks; fits on *Cox*.

You may wish to stock these related parts: **161900, 161902, 162058.**



16554

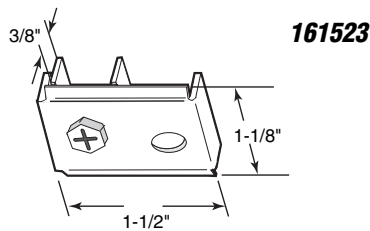
16554

Pivot Bracket

Contents: 1 bracket.

Description: Steel pivot bracket for bi-folding doors; mounts into top track; adjustable, used on *Acme "2900" series*.

You may wish to stock these related parts: **16472, 16465, 16215, 16260, 161497.**



161523

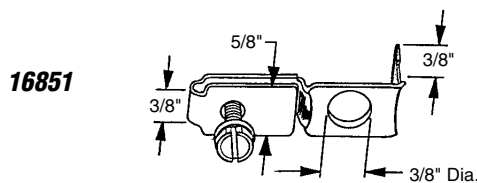
161523

Pivot Bracket

Contents: 1 bracket.

Description: Pivot bracket mounts into top track; stamped steel construction; used on *Acme "2600" series*.

You may wish to stock these related parts: **16465, 16260, 16261.**



16851

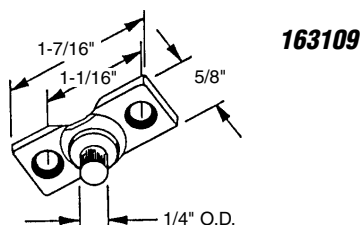
16851

Pivot Bracket

Contents: 1 bracket.

Description: Adjustable pivot bracket mounts into top or bottom track; stamped steel; fits on *Slimfold* and others.

You may wish to stock these related parts: **16854, 16852.**



163109

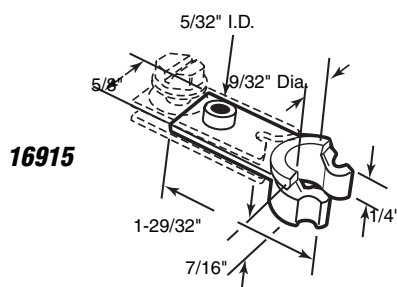
163109

Pivot Bracket

Contents: 1 bracket; (2) no. 8 x 3/4" screws.

Description: Steel pivot bracket used on light duty shutter doors; top mounted.

You may wish to stock these related parts: **163110.**



16915

16915

Pivot Insert

Contents: 2 inserts.

Description: Nylon insert; installs into top track to accept top pivot; replaces *Johnson "old style"* hardware.

You may wish to stock these related parts: **161143, 161144, 161145.**

163473

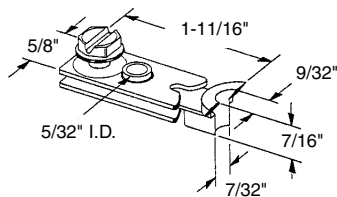
Pivot Bracket

Contents: 1 bracket.

Description: Nylon base; steel bracket; installs into top track to accept top pivot; replaces *Johnson "old style"* hardware.

You may wish to stock these related parts: **161144, 161909, 16910.**

Call for
Availability



163473

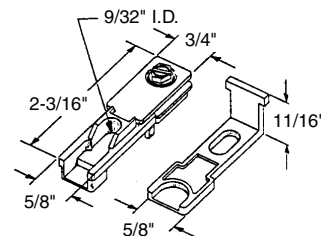
16916

Pivot Bracket

Contents: 1 bracket.

Description: Plastic base; steel track clip; installs into top track to accept top pivot pin; replaces *Johnson "new style"* hardware.

You may wish to stock these related parts: **161139, 161141, 161142.**



16916

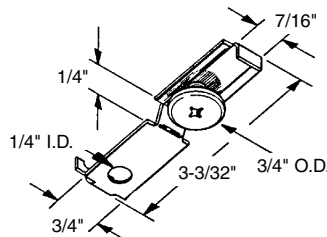
163469

Pivot Bracket

Contents: 1 bracket.

Description: Stamped steel bracket installs into top track; accepts top pivot pin; used on *Alliance duo-fold series "500"*.

You may wish to stock these related parts: **161111, 161107, 162167.**



163469

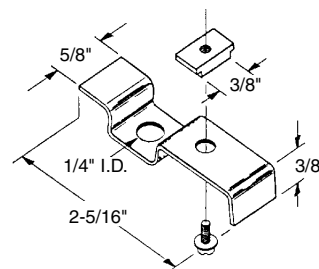
163470

Pivot Bracket

Contents: 1 bracket.

Description: Stamped steel bracket installs into top track; accepts top pivot pin; used on *Alliance series "400"* bi-folding doors.

You may wish to stock these related parts: **161111, 162015, 161107.**



163470

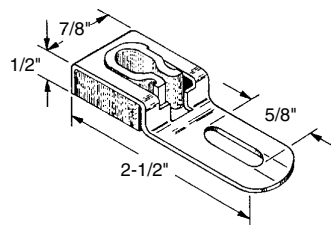
163148

Pivot Bracket

Contents: 1 bracket.

Description: Nylon pivot block mounted in a steel bracket; for a 1/4" diameter pin; mounts into top track.

You may wish to stock these related parts: **163144, 163145, 163146.**



163148

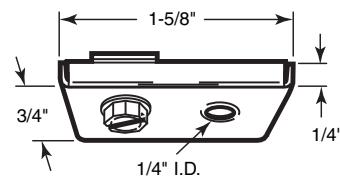
161102

Pivot Bracket

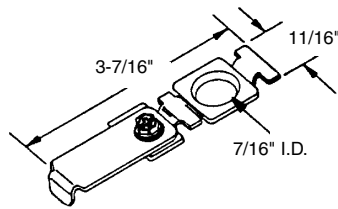
Contents: 1 bracket.

Description: Steel pivot bracket for bi-folding door top track; adjustable; fits on *Kennafame Door Systems*.

You may wish to stock these related parts: **161103, 161110, 163150.**



161102



161146

161146

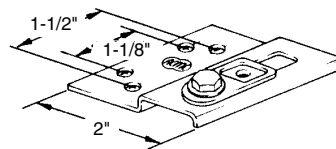
Pivot Bracket

Contents: 1 bracket.

Description: Stamped steel bracket installs into top track; accepts top pivot pin; for wood folding panel doors; used on *Johnson Hardware series "1800" and "1825"* door systems.

You may wish to stock these related parts: **161144, 161909, 161147.**

16297



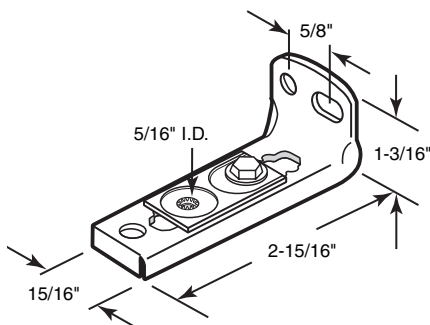
16297

Pivot Bracket

Contents: 1 bracket; (4) no. 8 x 3/4" Phillips pan head sheet metal screws.

Description: Adjustable, stamped steel floor mount bracket; self lubricating nylon bushing; for 1" to 1-3/8" thick folding doors up to 50 lbs. each; fits on *Acme*.

You may wish to stock these related parts: **16472, 16299, 16260, 16261.**



16369

16369

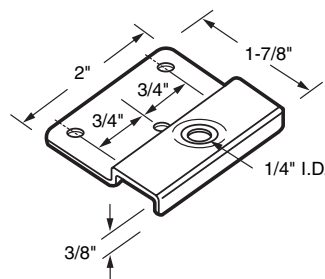
Pivot Bracket

Contents: 1 bracket; (2) no. 8 x 3/4" Phillips flat head sheet metal screws; (1) no. 8 x 1-1/4" Phillips flat head sheet metal screw.

Description: Adjustable, stamped steel bracket; floor/jamb mounting; self lubricating nylon bushing; for 1" to 1-3/8" thick folding doors up to 50 lbs. each; fits on *Acme*.

You may wish to stock these related parts: **16472, 16299, 16260, 16261.**

163103



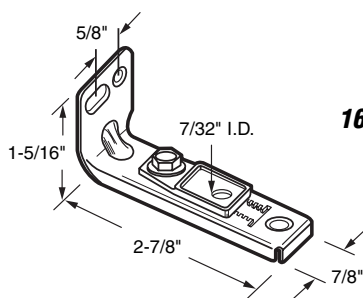
163103

Pivot Bracket

Contents: 1 bracket; (3) no. 8 x 3/4" Phillips pan head sheet metal screws.

Description: Floor mounting bracket; stamped steel; for 1" to 1-3/8" thick bi-folding door up to 50 lbs. each.

You may wish to stock these related parts: **161900, 161901, 161902, 163102.**



162058

162058

Pivot Bracket

Contents: 1 bracket; (4) no. 8 x 3/4" Phillips flat head sheet metal screws.

Description: Adjustable stamped steel bracket; floor/jamb mounting with nylon bushing; adjusts door horizontally; for 1" to 1-3/8" thick folding doors up to 50 lbs. each; fits on *Cox*.

You may wish to stock these related parts: **163101 thru 163102.**

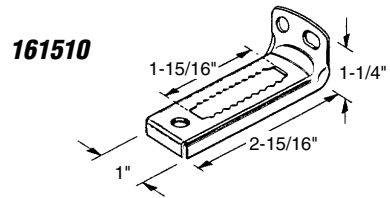
161510

Pivot Bracket

Contents: 1 bracket; (3) no. 8 x 3/4" Phillips flat head sheet metal screws.

Description: Adjustable floor/jamb mounting bracket, stamped steel; designed for lightweight (up to 30 lbs) hollow core and louver type door panels.

You may wish to stock these related parts: **161509, 161979, 161934**



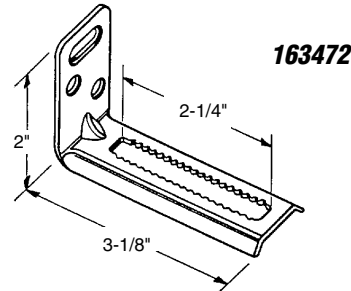
163472

Pivot Bracket

Contents: 1 bracket; (3) no. 8 x 3/4" Phillips flat head sheet metal screws.

Description: Adjustable; floor/jamb mounting bracket; stamped steel; extra heavy duty design for optional mounting on jamb above floor; used by many wardrobe door manufacturers.

You may wish to stock these related parts: **161509, 161934**.



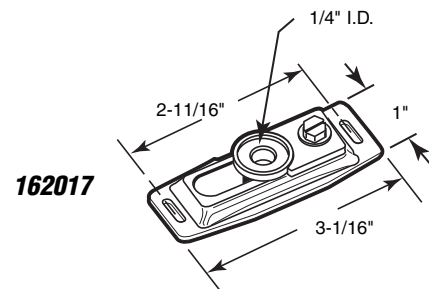
162017

Pivot Bracket

Contents: 1 bracket; (2) no. 8 x 1-1/4" Phillips pan head sheet metal screws.

Description: Floor mounted steel bracket with nylon bushing insert accepts a 1/4" diameter pivot pin; fits on *Johnson Hardware*.

You may wish to stock these related parts: **161144, 161145, 16916, 161143, 161147**.



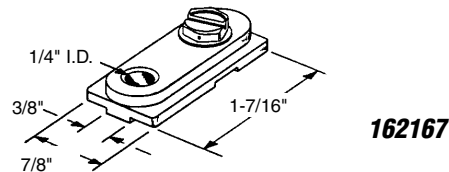
162167

Top Pivot Bracket

Contents: 1 insert.

Description: Nylon insert installs onto floor bracket of bi-folding door; allows for horizontal adjustment; fits on *Alliance duo-fold series "500"*.

You may wish to stock these related parts: **161111, 161978, 161107, 163469**.



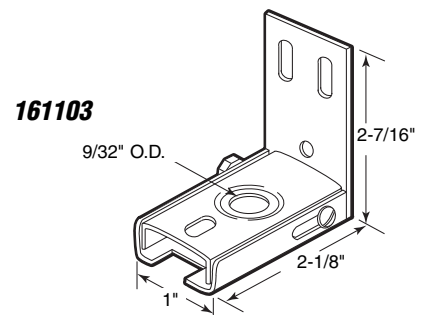
161103

Pivot Bracket

Contents: 1 bracket; installation screws.

Description: Stamped steel, adjustable, floor/jamb mounting bracket; fits on *Kennafame Door Systems*.

You may wish to stock these related parts: **161111, 161515, 161107, 161102**.



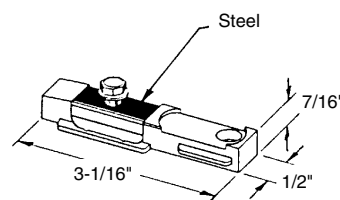
163154

Pivot Bracket

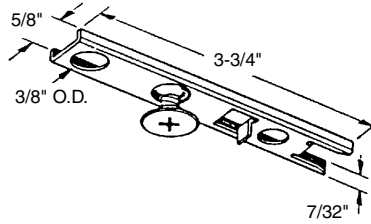
Contents: 1 bracket.

Description: Nylon body with steel retainer plate and screw for bi-folding door top track; fits on *Acme*.

You may wish to stock these related parts: **163155, 163224**.



161979



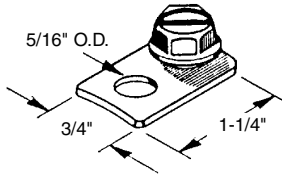
161979

Pivot Bracket

Contents: 1 bracket with screw.

Description: Steel bracket for bi-folding door top track; fits 5/8" wide track; fits on *Acme*.

You may wish to stock these related parts: **161678, 161509, 161510.**



16939

16939

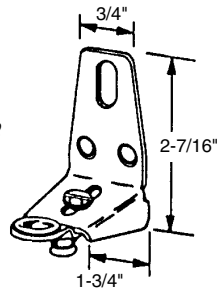
Pivot Bracket

Contents: 1 pivot bracket with screw.

Description: Steel pivot bracket for bi-folding door top track; fits on *Monarch Door*.

You may wish to stock these related parts: **16888, 163226-25, 16869, 16871.**

161143



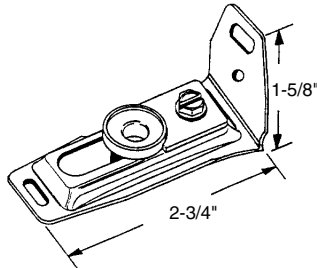
161143

Heavy Duty Pivot Bracket

Contents: 1 pivot bracket; 3 installation screws.

Description: Heavy duty steel bracket; jamb mounted; 4-way adjustable pivot point, (in and out), (left and right); accepts a 9/32" diameter pivot; fits on *Johnson Hardware*.

You may wish to stock these related parts: **16916, 161139, 161141, 161142.**



161147

161147

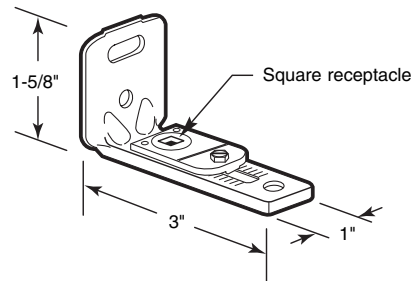
Pivot Bracket

Contents: 1 bracket; 3 installation screws.

Description: Adjustable floor/jamb mount bracket with nylon bushing; used on *Johnson Hardware series 1800*.

You may wish to stock these related parts: **161144, 161909, 161146.**

163187



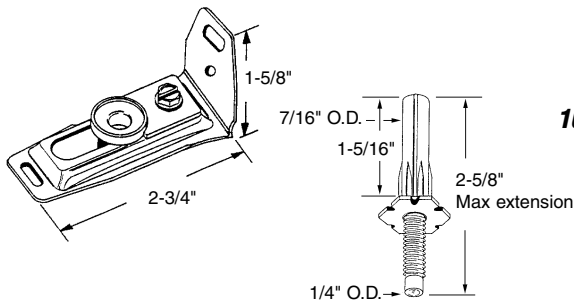
163187

Pivot Bracket

Contents: 1 bracket; 3 installation screws; 1 wrench (**161524**).

Description: Adjustable floor/jamb mount steel bracket with nylon bushing.

You may wish to stock these related parts: **163186.**



161909

161909

Pivot Bracket & Pin Kit

Contents: 1 bracket; 1 pin; 3 installation screws.

Description: Stamped steel, floor/jamb mount bracket with nylon bushing; bottom pivot with steel pin; nylon base; fits on *Johnson Hardware*.

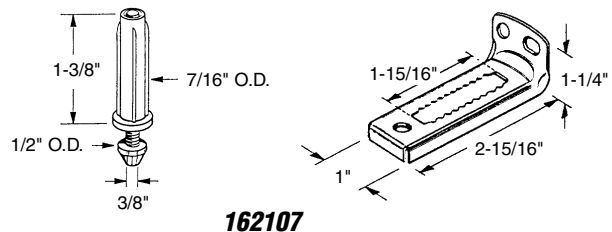
You may wish to stock these related parts: **161144, 161146.**

162107

Pivot Bracket & Pin Kit

Contents: 1 bracket; 1 pin; 3 installation screws.

Description: Stamped steel, floor/jamb mount bracket; bottom pivot with steel pin; nylon base; used by many manufacturers.

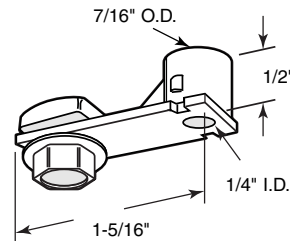


163193

Pivot Bracket

Contents: 1 bracket; 5/16"-18 x 1/2" hex washer head machine screw with nut.

Description: Nylon base; bi-fold door pivot bracket; nylon body; fits on *Peachtree Door Company*.



163144

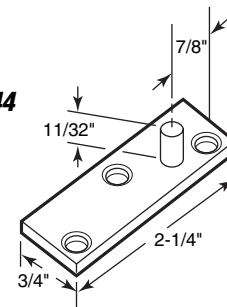
Top Pivot

Contents: 1 pivot with installation screws.

Description: Cadmium plated steel top pivot; 11/32" high x 1/4" diameter pivot rod, off-center by 1/16"; used by many wardrobe manufacturers.

You may wish to stock these related parts: **163145, 163146.**

163144



163145

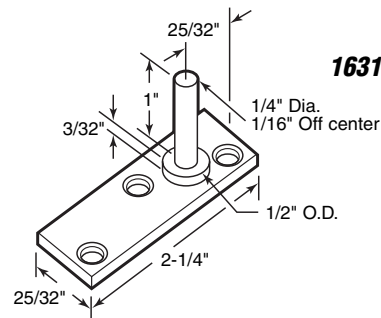
Top Pivot

Contents: 1 pivot with installation screws.

Description: Cadmium plated steel top pivot; 1" high x 1/4" diameter pivot rod, off-center by 1/16"; used by many wardrobe manufacturers.

You may wish to stock these related parts: **163144, 163146, 163148.**

163145



163146

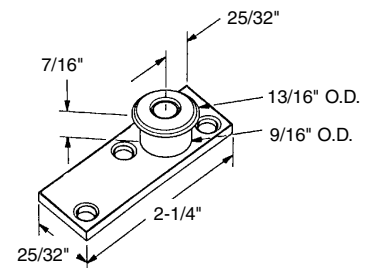
Top Roller Guide

Contents: 1 pivot with installation screws.

Description: Cadmium plated steel base; nylon roller is 7/16" high x 13/16" diameter, and is off-center by 1/16"; used by many wardrobe manufacturers.

You may wish to stock these related parts: **163144, 163145.**

163146



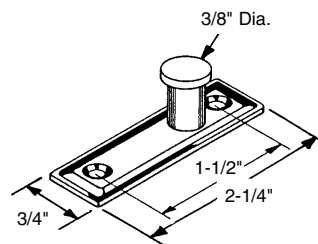
161139

Top Pivot

Contents: 1 pivot with installation screws.

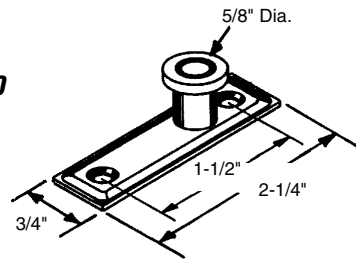
Description: Steel pivot and bracket; fits on *Johnson Hardware*.

You may wish to stock these related parts: **161141, 161142.**



161139

161140



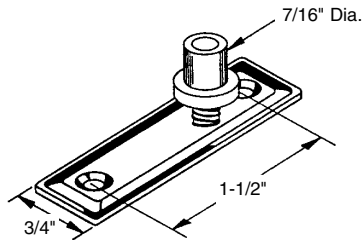
161140

Top Guide

Contents: 1 guide with installation screws.

Description: Steel bracket with spring loaded nylon guide; fits on *Johnson Hardware*; old style top guide used until approx. 1986; replaced by 161141.

You may wish to stock these related parts: 16916, 161139.



161141

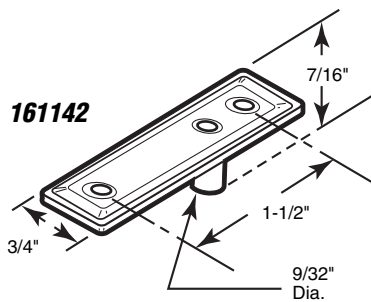
161141

Top Guide

Contents: 1 guide assembly with installation screws.

Description: Steel bracket; spring loaded nylon guide; fits on *Johnson Hardware*.

You may wish to stock these related parts: 16916, 161139, 161142.



161142

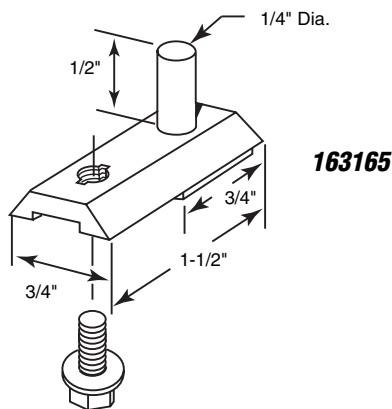
161142

Bottom Pivot

Contents: 1 pivot with installation screws.

Description: Steel bracket and pivot; fits on *Johnson Hardware*.

You may wish to stock these related parts: 161139, 161141, 161143, 161137.



163165

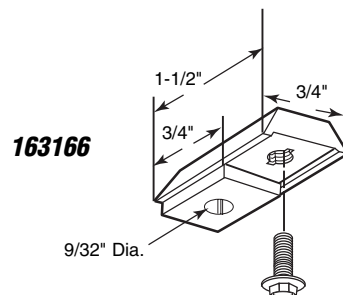
163165

Bottom Pivot Bracket

Contents: 1 pivot with machine screw and washer.

Description: Nylon pivot; fits on *National Bi-Fold*.

You may wish to stock these related parts: 16936, 16937.



163166

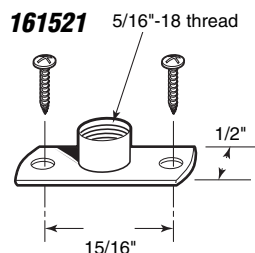
163166

Top Pivot Bracket

Contents: 1 bracket with machine screw and washer.

Description: Bi-fold door pivot bracket; nylon body; fits on *National Bi-fold*.

You may wish to stock these related parts: 16936, 16937.



161521

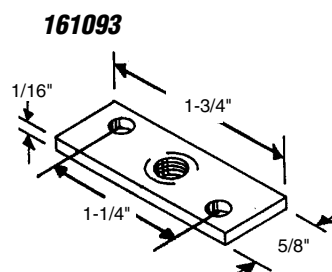
161093 (4 plates per card)

161521 (2 plates per card)

Pivot Pin Mounting Plate

Contents: Plates with screws.

Description: Stamped steel, threaded reinforcement plate for bi-fold pins; universal design.



161093

16299

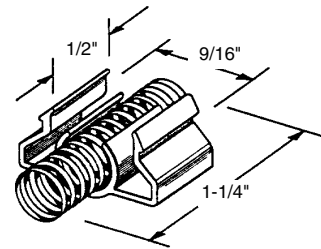
Two-Door Snugger

Contents: 1 snugger.

Description: Steel spring with nylon retainer sleeve; top mounting; self-adjusting; for holding doors in closed position; fits *Acme series "2400" and "2900"*.

You may wish to stock these related parts: **16369, 16215, 16260, 16261.**

16299



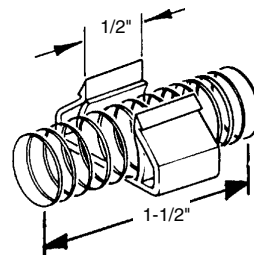
163101

Two-Door Snugger

Contents: 2 snuggers.

Description: Steel spring with nylon retainer sleeve; top mounting; self-adjusting; for holding doors in closed position; fits *Cox series 23*.

You may wish to stock these related parts: **161900, 161901, 162058.**



163101

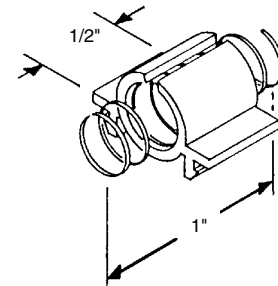
161110

Two-Door Snugger

Contents: 1 snugger.

Description: Steel spring with nylon retainer sleeve; top mounting; self-adjusting; for holding doors in closed position; fits *Kennaframe door systems*.

You may wish to stock these related parts: **161111, 161515, 161107.**



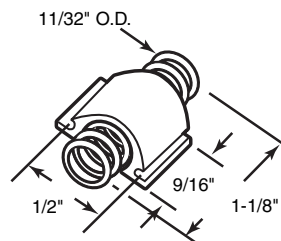
161110

163149

Two-Door Snugger

Contents: 2 snuggers.

Description: Steel spring with nylon retainer sleeve; top mounting; self-adjusting; for holding doors in closed position; fits *Acme series "2800" door systems*.



163149

162169

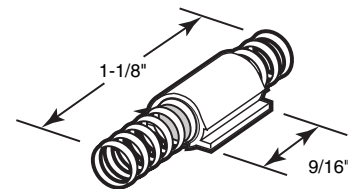
Two-Door Snugger

Contents: 2 snuggers.

Description: Steel spring with nylon retainer sleeve; top mounting; self-adjusting; for holding doors in closed position; fits *Alliance door systems*.

You may wish to stock these related parts: **161111, 161107, 163469**

162169



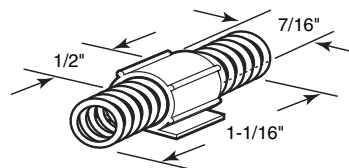
163204

Two-Door Snugger

Contents: 2 snuggers.

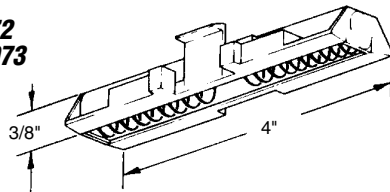
Description: Steel spring with nylon retainer sleeve; top mounting; self-adjusting; for holding doors in closed position; fits *Acme series "2800" door systems*.

You may wish to stock these related parts: **161678, 161509, 161510, 161979.**



163204

16472
162973



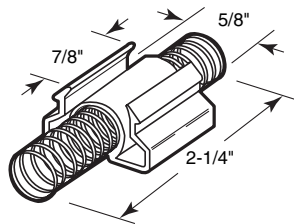
16472 (1 per card)
162973 (2 per card)

Slide Guide

Contents: Guide assembly.

Description: Top mount; two-way spring snigger; **steel** springs with **nylon** retainer; fits 1" to 1-3/8" thick bi-fold doors when opening or closing; fits on **Acme**.

You may wish to stock these related parts: **16369, 16260, 16261.**



163093

163093

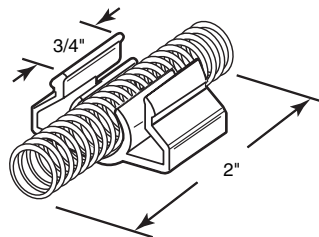
Four-Door Snigger

Contents: 2 sniggers.

Description: **Steel** spring with **nylon** retainer sleeve; top mounting; self-adjusting; for holding doors in closed position; fits "**Acme**" series 2400 and 2900, 1" bi-fold track.

You may wish to stock these related parts: **16369, 16299, 16260, 16261, 161678, 161509.**

161234



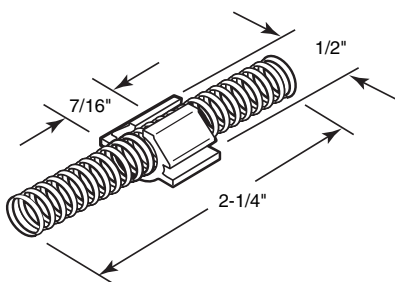
161234

Four Door Snigger

Contents: 1 snigger.

Description: **Steel** spring with **nylon** retainer sleeve; top mounting; self-adjusting; snap into top track between pairs of doors to hold them together in the closed position; fits **Cox series 23.**

You may wish to stock these related parts: **161900, 162058.**



163121

163121

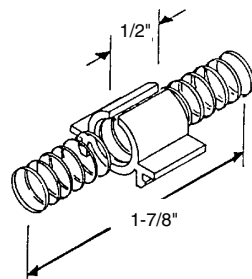
Four-Door Snigger

Contents: 2 sniggers.

Description: **Steel** spring with **nylon** retainer sleeve; top mounting; fits 3/4" wide track; installs between pairs of doors for holding doors in the closed position.

You may wish to stock these related parts: **161497.**

162170



162170

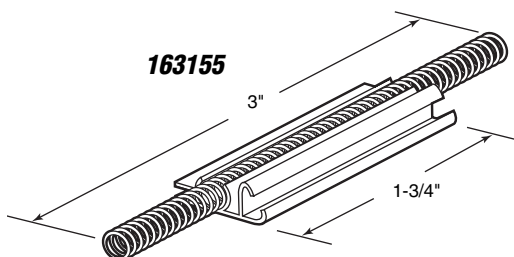
Four-Door Snigger

Contents: 2 sniggers.

Description: **Steel** spring with **nylon** retainer sleeve; snap into top track of a four-door bi-fold for quiet cushioned closing; fits **Kennafame Door Systems.**

You may wish to stock these related parts: **161111, 161102.**

163155



163155

Four-Door Snigger

Contents: 2 sniggers.

Description: **Steel** spring with **nylon** retainer sleeve; snap in design; used on **Contractor series 4000** and **Acme Bi-Fold door systems.**

You may wish to stock these related parts: **163154; 163224; 16260; 16261.**

Call for
Availability

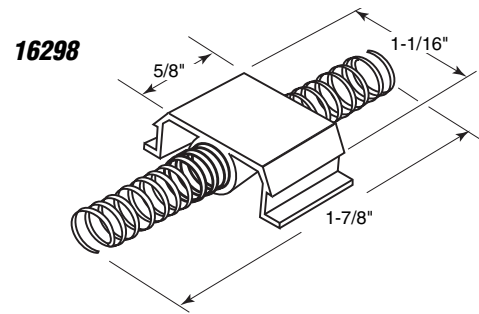
16298

Four-Door Snugger

Contents: 1 snugger.

Description: Steel spring with nylon retainer sleeve; top mounting; self-adjusting; snaps into track between pairs of doors for holding doors in closed position; fits *Acme 2600 "fold aside" series*.

You may wish to stock these related parts: **161523, 16465, 16260, 16261.**



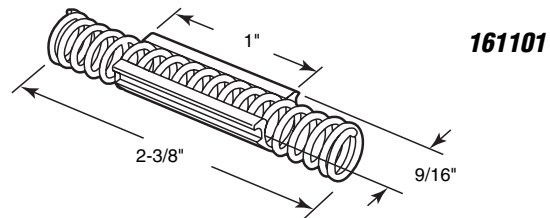
161101

Four-Door Snugger

Contents: 1 snugger.

Description: Steel spring with nylon retainer sleeve; top mounting; self-adjusting; snaps into track between pairs of doors for holding doors in closed position; fits *Alliance* door systems.

You may wish to stock these related parts: **161111, 161107, 163469**



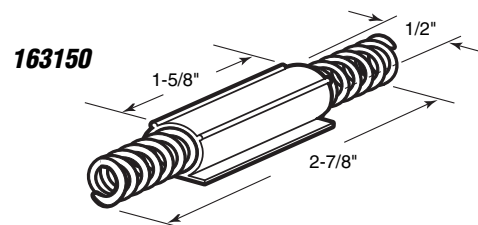
163150

Four-Door Snugger

Contents: 2 snuggers.

Description: Steel spring with nylon retainer sleeve; top mounting; self-adjusting; snaps into track between pairs of doors for holding doors in closed position; fits *Acme series 2800* door systems.

You may wish to stock these related parts: **161678, 161509, 161510, 161979.**



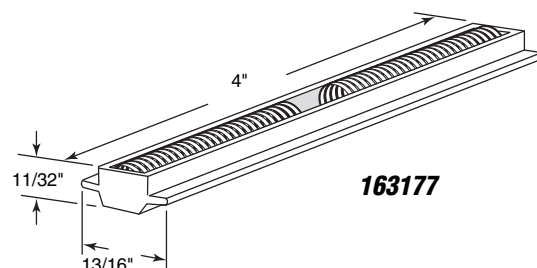
163177

Bottom Slide Guide

Contents: 1 guide assembly.

Description: Two-way spring snugger; steel springs in nylon retainer; fits 1" to 1-3/8" thick bi-fold doors when opening or closing; fits on *Stanley*.

You may wish to stock these related parts: **16472.**



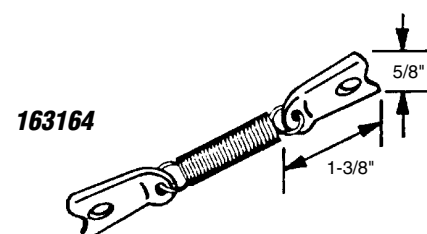
163164

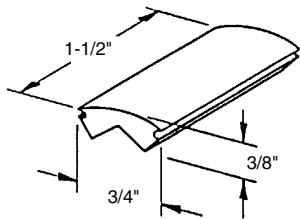
Bi-fold Door Spring

Contents: 1 door spring assembly; 1 set installation screws.

Description: Plated steel brackets and spring; holds bi-folding doors securely closed; fits on *Johnson Hardware*.

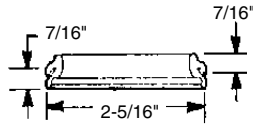
You may wish to stock these related parts: **161143, 163163.**





163157

16862



163157

Bi-fold Door Snugger

Contents: 2 snuggers.

Description: Rubber bumpers used on the top and bottom tracks; snap-in design; used to hold doors securely closed; manufactured by *Monarch Doors*.

You may wish to stock these related parts: **16874, 163474, 163475, 16869, 16871.**

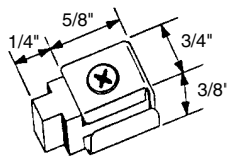
16862

Top Track Bumper

Contents: 1 bumper.

Description: Rubber bumper fits onto top track of bi-folding doors; fits on *Slimfold* and others.

You may wish to stock these related parts: **16854, 16853, 16852, 16851.**



163163

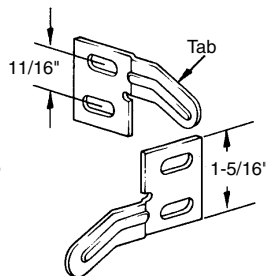
163163

Bumper

Contents: 1 stop.

Description: Rubber stop in a steel retainer; mounts into track channel; prevents over travel of doors; fits a 5/8" track; fits on *Johnson Hardware series 1700*.

You may wish to stock these related parts: **161139 thru 161142, 161143.**



161083

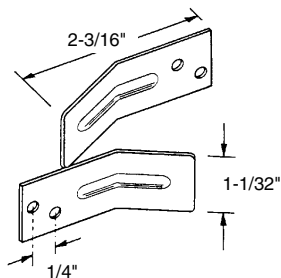
161083

Surface Aligner

Contents: 1 set of aligners; 4 no. 8 x 3/4" Phillips pan head sheet metal screws.

Description: Zinc plated steel aligner; mounts to back of lead doors to keep them tightly closed; universal, for 4 door systems.

You may wish to stock these related parts: **16215, 16259.**



163102

163102

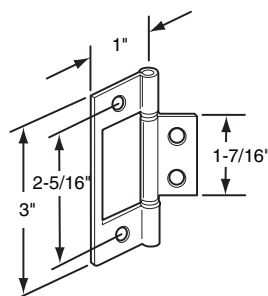
Surface Aligner

Contents: 1 set of aligners; 4 no. 8 x 3/4" Phillips pan head sheet metal screws.

Description: Zinc plated steel aligner; mounts to back of lead doors to keep them tightly closed; universal, for 4 door systems.

You may wish to stock these related parts: **161234, 161901.**

161497



161497

Non-Mortise Hinge

Contents: 2 hinges; 8 flat head sheet metal screws.

Description: Brass plated steel hinge has cut out to allow for non-mortise installation; used by many wardrobe door manufacturers.

You may wish to stock these related parts: **16215, 16261, 161678, 161509, 161111, 161107.**

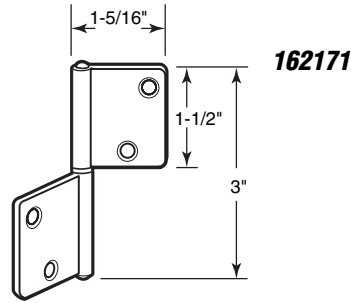
162171

Hinge

Contents: 2 hinges; 8 flat head sheet metal screws.

Description: Brass plated steel hinge; non-mortise installation; used by many wardrobe door manufacturers.

You may wish to stock these related parts: **161497, 161522, 161903, 161690.**



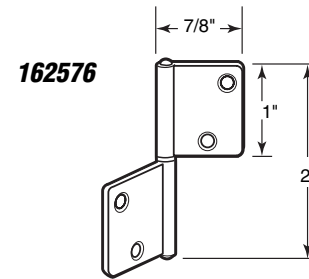
162576

Shutter Hinge

Contents: 2 hinges; 8 flat head sheet metal screws.

Description: Brass plated steel hinge; used on bi-folding shutter doors; non-mortise installation.

You may wish to stock these related parts: **161497; 161899.**



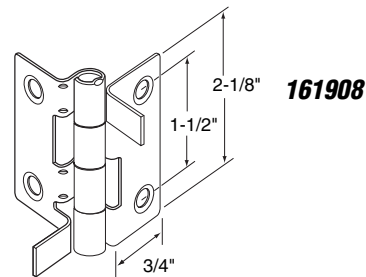
161908

Non-Mortise Hinge

Contents: 2 hinges; 8 flat head sheet metal screws.

Description: Brass plated steel hinge; used on bi-folding doors; designed by *Johnson Hardware*.

You may wish to stock these related parts: **161144, 161145, 161147, 161146.**



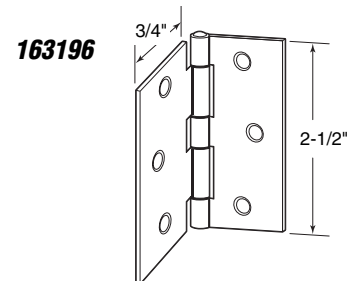
163196

Light Duty Hinge

Contents: 2 hinges; 12 flat head sheet metal screws.

Description: Zinc plated steel hinge; tight pin; lightweight; narrow leaf, ideal for older wood bi-fold doors.

You may wish to stock these related parts: **161899, 161522, 16697.**



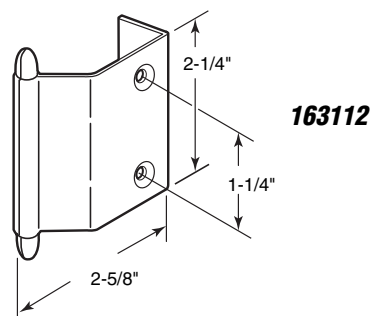
163112

Handle Assembly

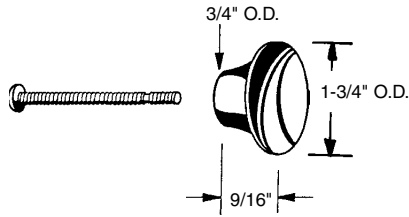
Contents: 1 handle assembly; installation fasteners.

Description: Chrome plated steel handle used on *Slimfold* bi-folding mirror doors.

You may wish to stock these related parts: **16854, 16855.**



161903



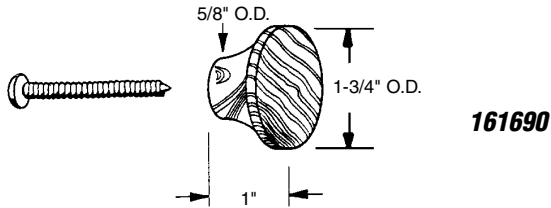
161903

Knob

Contents: 2 knobs; 2 installation screws.

Description: Brass plated stamped steel knob used on wood bi-fold door panels.

You may wish to stock these related parts: **161497, 161899.**



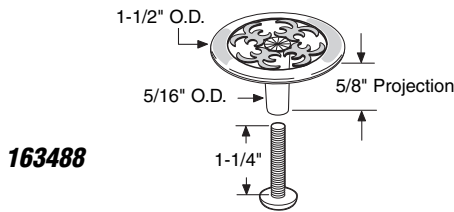
161690

Knob

Contents: 2 knobs; 2 installation screws.

Description: Hardwood knob used on wood bi-fold door panels.

You may wish to stock these related parts: **161497, 161899.**



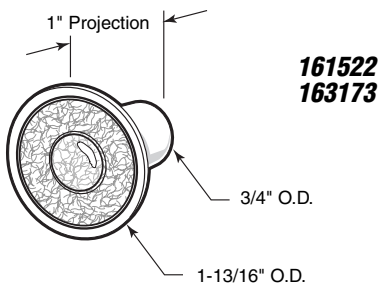
163488

Knob

Contents: 2 knobs; 2 installation screws.

Description: Antique brass plated diecast decorative knob for wood bi-fold door panels.

You may wish to stock these related parts: **161497, 161899.**



161522 (Ivory)

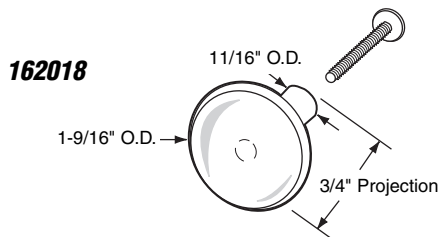
163173 (Brown)

Knob

Contents: 2 knobs; 2 installation screws.

Description: Brown plastic knob used on hollow core or solid wood bi-fold door panels.

You may wish to stock these related parts: **161497, 161899.**



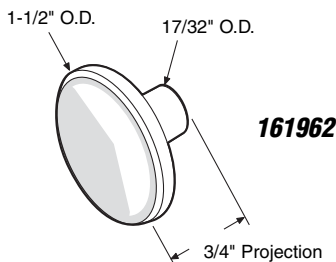
162018

Knob

Contents: 2 knobs; 2 installation screws.

Description: Brass plated diecast knob used on hollow core or solid wood bi-fold door panels.

You may wish to stock these related parts: **161497, 161899.**



161962

Knob

Contents: 2 knobs; 2 installation screws

Description: White painted diecast knob used on hollow core or solid wood bi-fold door panels.

You may wish to stock these related parts: **161497, 161899.**

Bi-fold Door Hardware

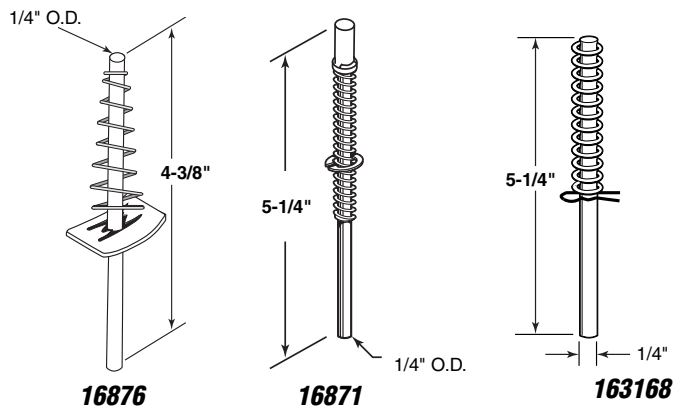
Pivot & Guide Pins

Contents: 1 pin assembly.

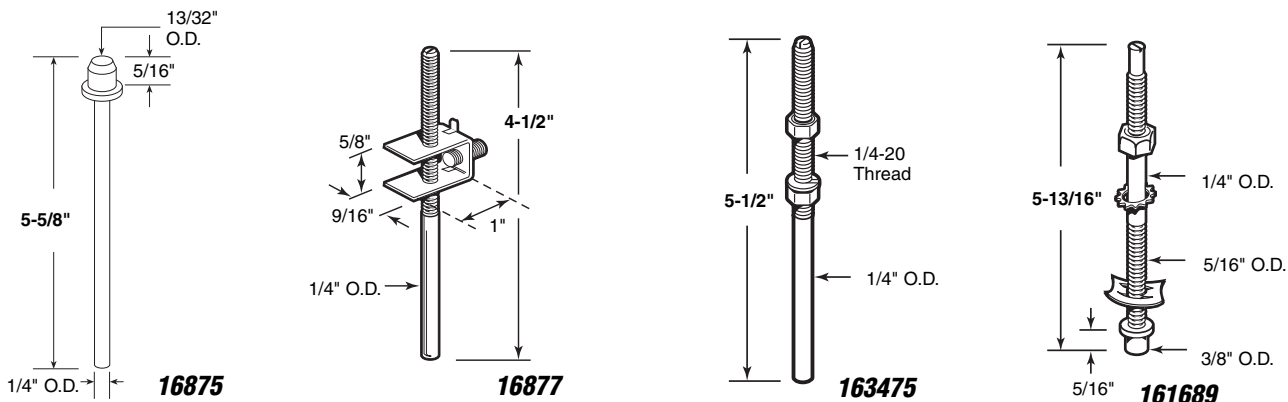
Description: Steel guide pins & top and bottom pivot pins; all caps shown are white nylon.

1/4" Diameter Pins

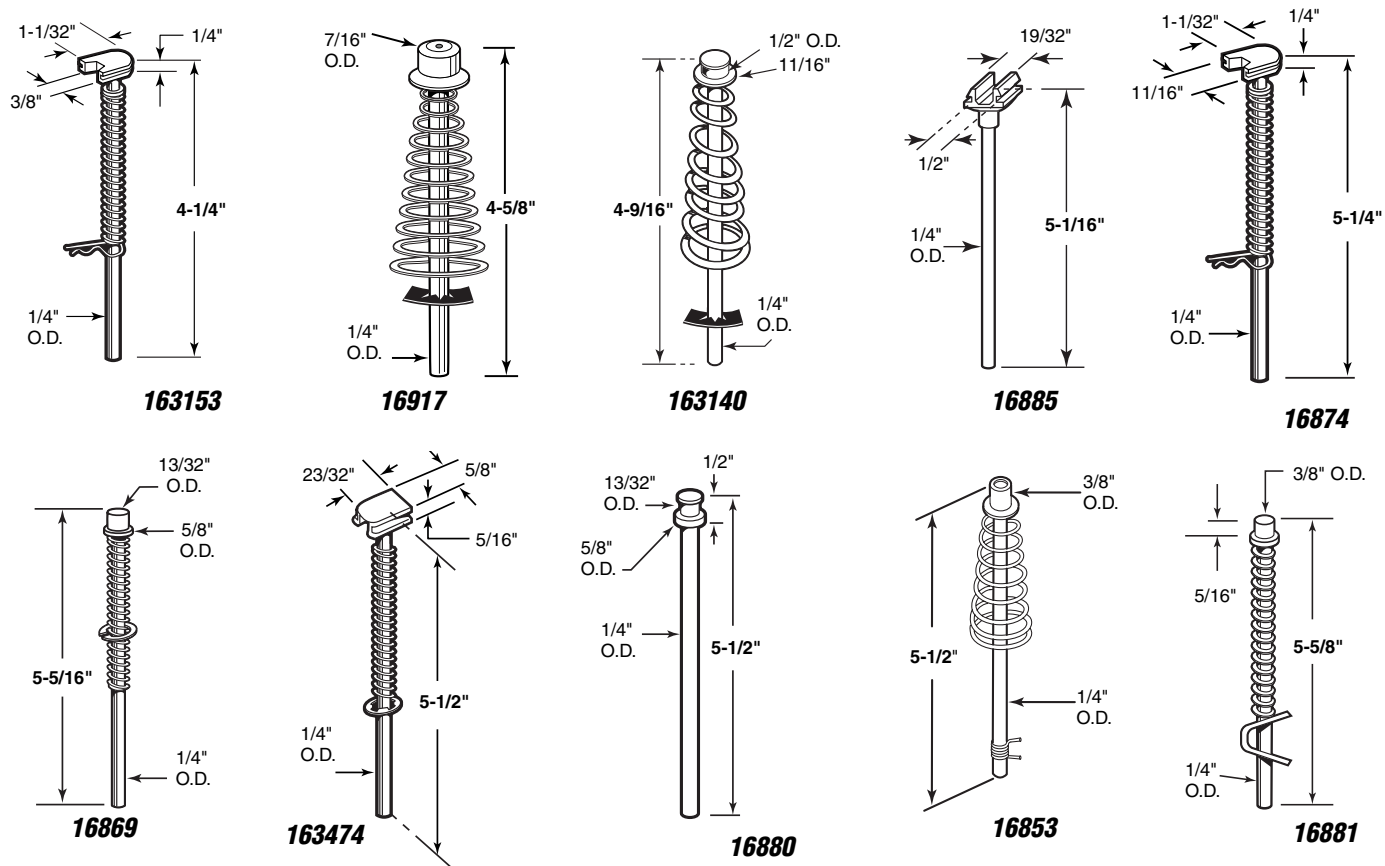
Top Pivots



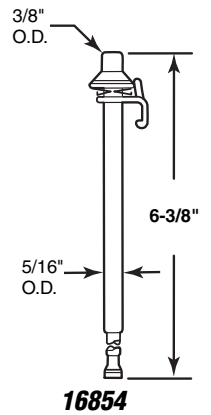
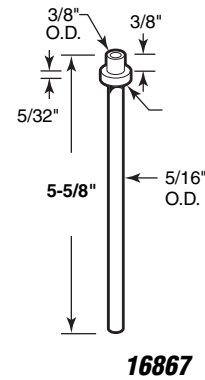
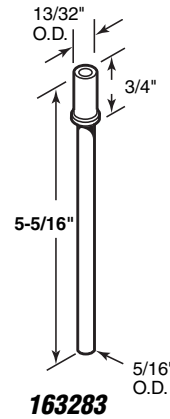
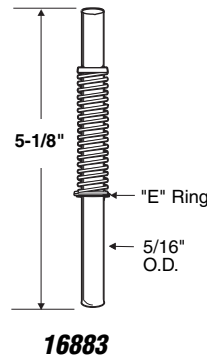
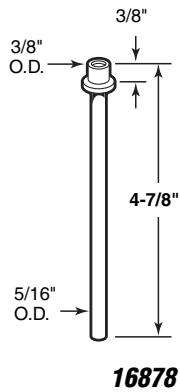
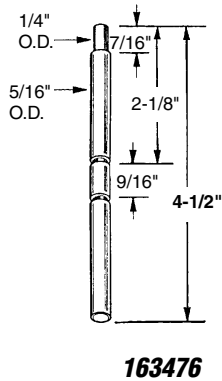
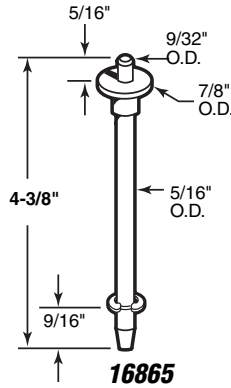
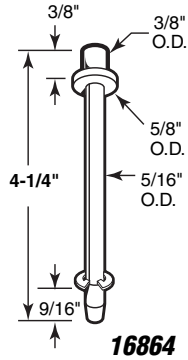
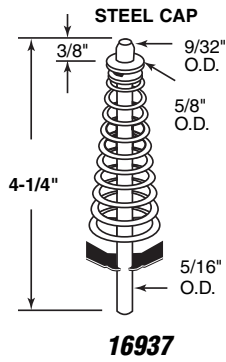
Bottom Pivots



Guide Pins



Top Pivots



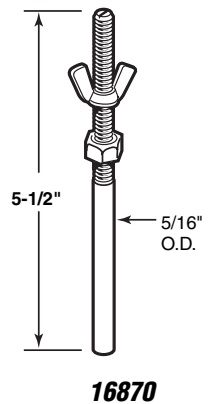
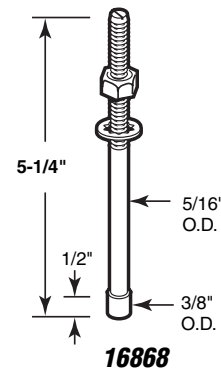
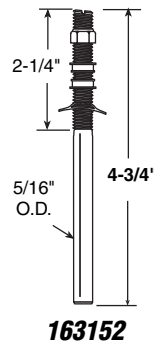
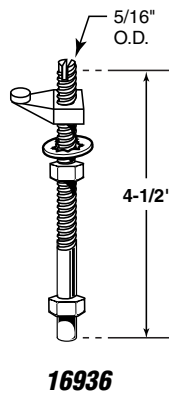
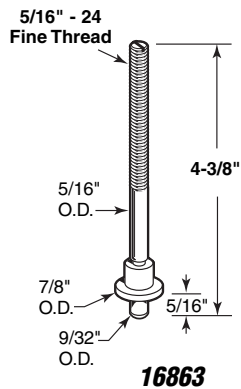
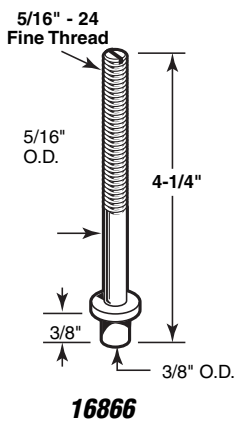
Pivot & Guide Pins

Contents: 1 pin assembly.

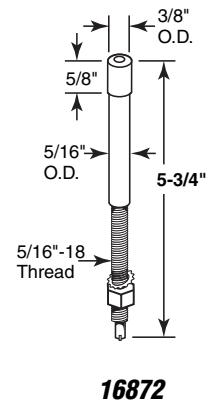
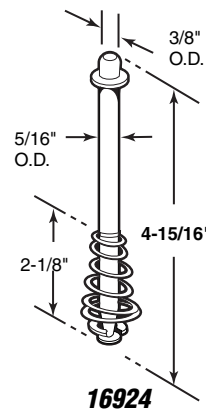
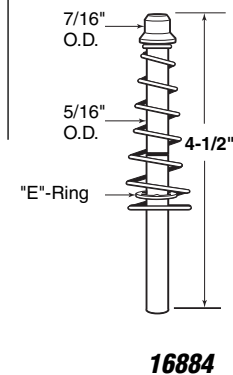
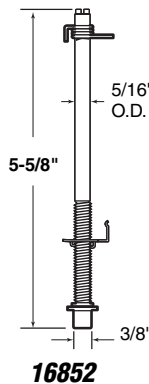
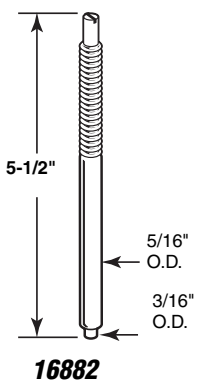
Description: Steel guide pins & top and bottom pivot pins; unless noted, most caps shown are nylon.

5/16" Diameter Pins

Bottom Pivots



Guide Pins



Bi-fold Door Hardware

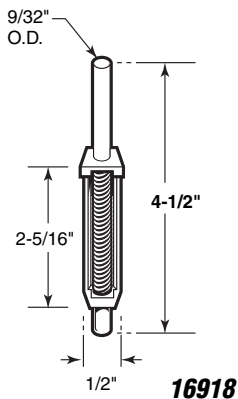
Pivot & Guide Pins

Contents: 1 pin assembly.

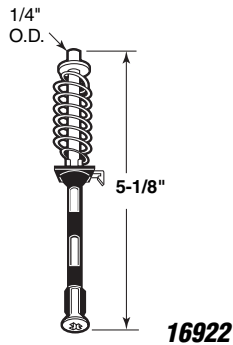
Description: Steel guide pins & top and bottom pivot pins; all caps shown are white nylon.

9/32" Diameter Pins

Top Pivots

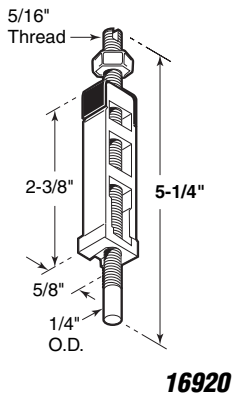


16918

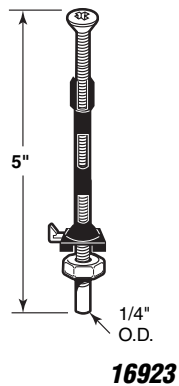


16922

Bottom Pivots

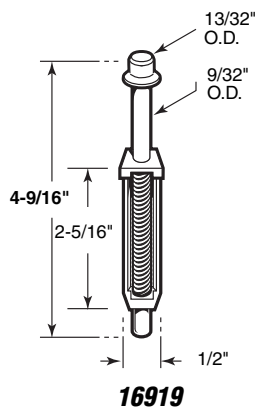


16920

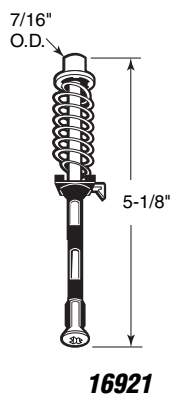


16923

Guide Pins



16919



16921

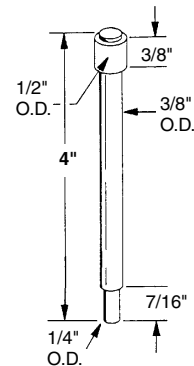
Pivot & Guide Pins

Contents: 1 pin assembly.

Description: Steel guide pins & top and bottom pivot pins; all caps shown are white nylon.

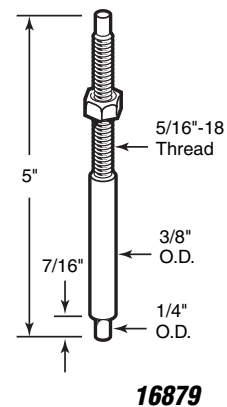
3/8" Diameter Pins

Top Pivots



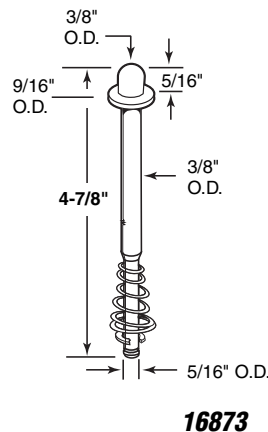
163282

Bottom Pivots

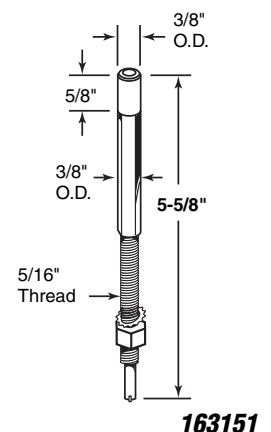


16379

Guide Pins



16873

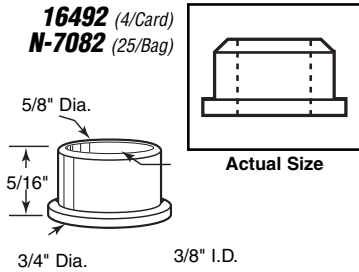


163151

Pivot & Guide Pin Caps

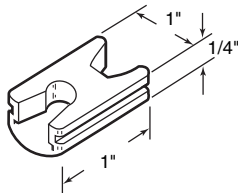
Contents: Pin caps.

Description: Replacement nylon caps.

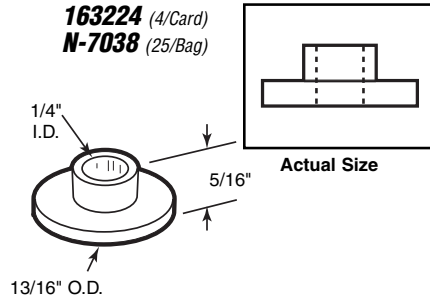


*Used on pins: 16874, 163153

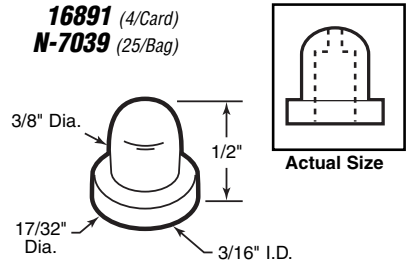
16888 (2/Card)
N-6866 (25/Bag)



*Used on pins: 16874, 163153

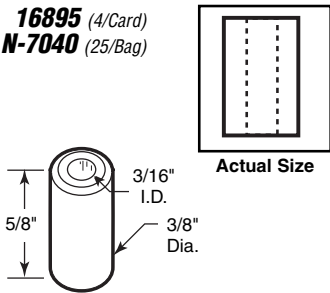


*Used on pins: 16260

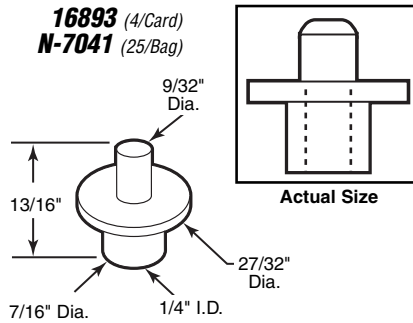


*Used on pins: 16924

16895 (4/Card)
N-7040 (25/Bag)

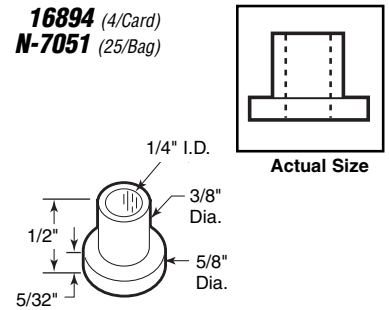


*Used on pins: 16872



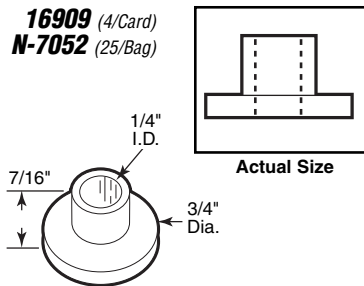
*Used on pins: 16865, 16863

16894 (4/Card)
N-7051 (25/Bag)



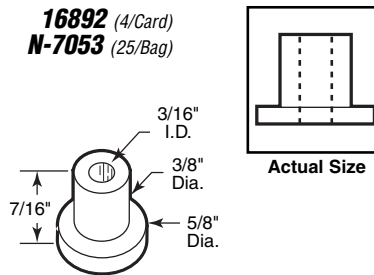
*Used on pins: 16867

16909 (4/Card)
N-7052 (25/Bag)



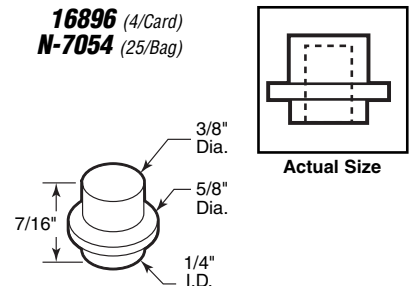
*Used on pins: 16864, 16866

16892 (4/Card)
N-7053 (25/Bag)



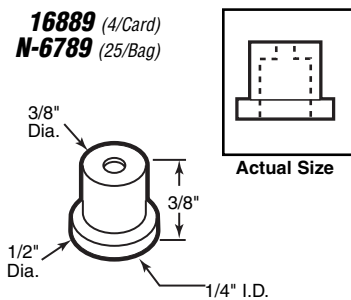
*Used on pins: 16854

16896 (4/Card)
N-7054 (25/Bag)



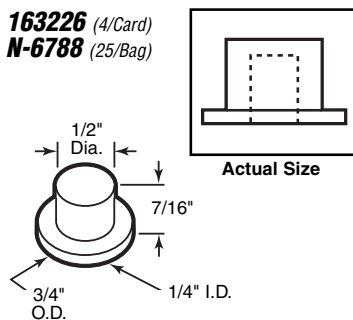
*Used on pins: 16869

16889 (4/Card)
N-6789 (25/Bag)

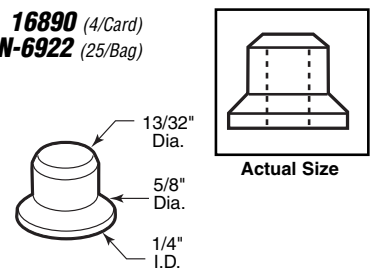


*Used on pins: 16881, 161689

163226 (4/Card)
N-6788 (25/Bag)



16890 (4/Card)
N-6922 (25/Bag)



*Used on pins: 16875, 16884, 16917

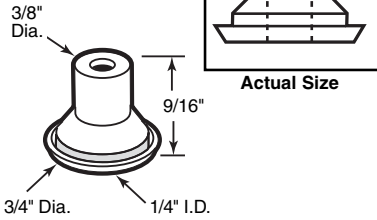
Bi-fold Door Hardware

Pivot & Guide Pin Caps

Contents: Pin caps.

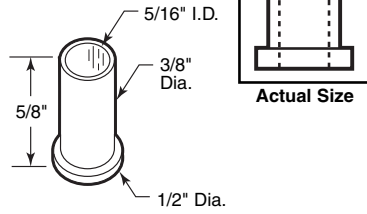
Description: Replacement nylon caps.

16861 (4/Card)
N-6787 (25/Bag)



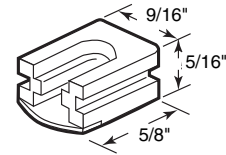
*Used on pins: 16854

163227 (4/Card)
N-7055 (25/Bag)



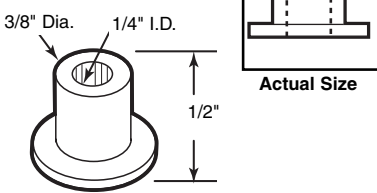
*Used on pins: 163283

16887 (4/Card)
N-7056 (25/Bag)



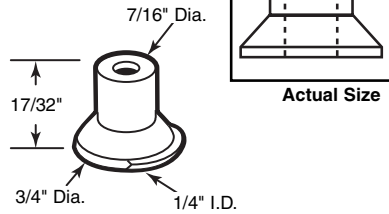
*Used on pins: N-6741

16860 (4/Card)
N-6916 (25/Bag)



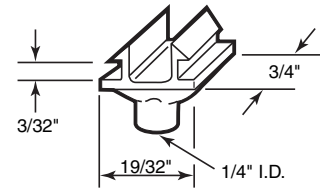
*Used on pins: 16260, 16853

16897 (4/Card)
N-6918 (25/Bag)



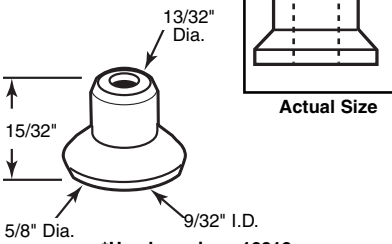
*Used on pins: 16921

16886 (2/Card)
N-7057 (10/Bag)



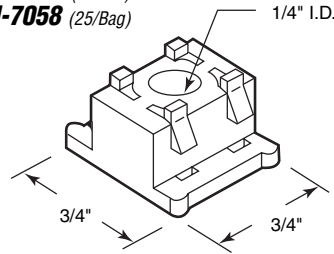
*Used on pins: 16885

163228 (4/Card)
N-6928 (25/Bag)



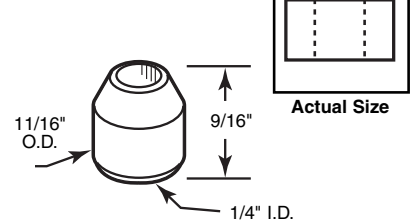
*Used on pins: 16919

163471 (4/Card)
N-7058 (25/Bag)



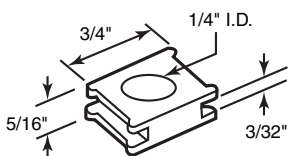
*New style replacement cap for pin: 161978

163230 (4/Card)
N-6862 (25/Bag)



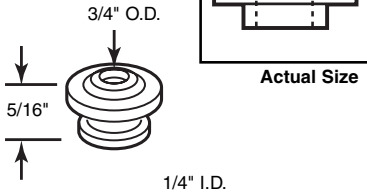
*Used on pins: 162014

16898 (4/Card)
N-6864 (25/Bag)



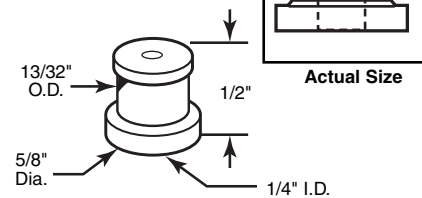
*Used on pins: 161978

16914 (4/Card)
N-6863 (25/Bag)



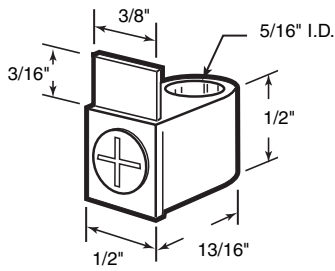
*Used on pins: 162015

163231 (4/Card)
N-7063 (25/Bag)

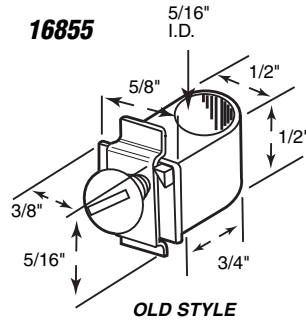


*Used on pins: 163140

163170 NEW STYLE



16855



16855 (Old style)
163170 (New style)

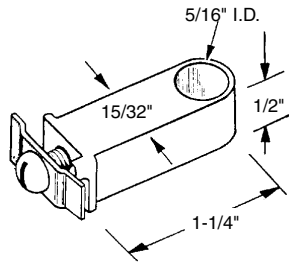
Pivot Rod Clamp

Contents: 1 clamp.

Description: Pivot rod clamp used to adjust height; nylon housing; fits on *Slimfold* and others.

You may wish to stock these related parts: **16854, 16853, 16851.**

163477



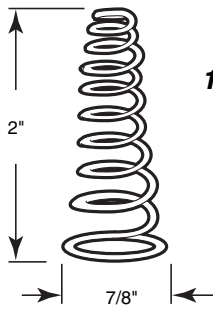
163477

Pivot Rod Clamp

Contents: 1 clamp.

Description: Nylon housing; rod clamp used to adjust height; 1-1/4" long housing.

You may wish to stock these related parts: **16855.**



163480

163480

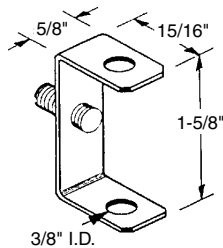
Pivot Rod Tension Springs

Contents: 2 springs.

Description: High tension; heat treated steel spring used to supply tension on top pivot guide rods and bottom guide rods; fits 3/8" rod.

You may wish to stock these related parts: **161497.**

163478



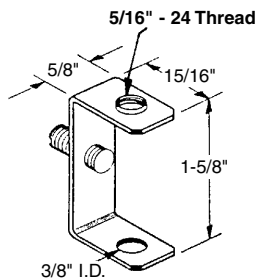
163478

Pivot Rod Adjustment Bracket

Contents: 1 bracket.

Description: Stamped steel bracket; has set screw in center; used to adjust height of pivot rod; used with pivot rod numbers **16864** or **16865.**

You may wish to stock these related parts: **163479.**



163479

163479

Pivot Rod Adjustment Bracket

Contents: 1 bracket.

Description: Stamped steel bracket; has 5/16"-24 threads on one end; set screw in center; used to adjust height of pivot rod; used with pivot rod number **16866.**

You may wish to stock these related parts: **163478.**

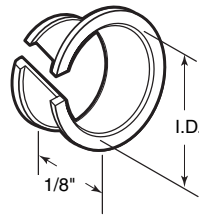
Pocket Door Hardware

163209 (1/4" inside diameter)
163482 (5/16" inside diameter)

Nyliner

Contents: 50 nyliners per bag.

Description: Nylon bushing for Bi-Fold Guide and Pivot Pins; Snaps into steel door frame; prevents pin from direct contact with sharp punched hole in door.



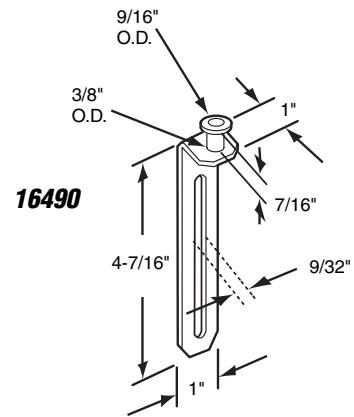
163209
163482

16490 Top Guide

Contents: 1 guide; (2) 1/4"-20 x 1/2" round head slotted machine screws.

Description: Top guide for bi-fold doors; stamped steel with nylon cap; fits on *Roberts*.

You may wish to stock these related parts: **16383, 16491.**

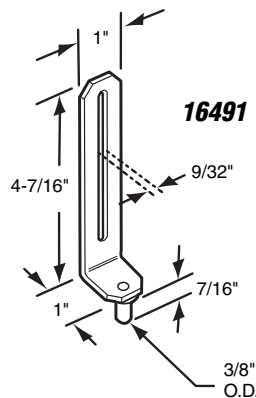


16491 Bottom Guide

Contents: 1 guide; (2) 1/4"-20 x 1/2" round head slotted machine screws.

Description: Bottom guide for bi-fold doors; stamped steel with nylon cap; fits on *Roberts*.

You may wish to stock these related parts: **16383, 16490.**

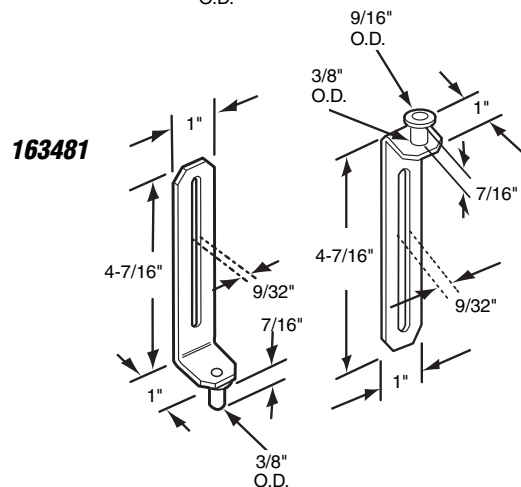


163481 Top & Bottom Guide Set (16490 & 16491)

Contents: 1 top guide; 1 bottom guide; installation fasteners.

Description: Top and bottom guides for bi-fold doors; stamped steel with nylon cap; fits on *Roberts*.

You may wish to stock these related parts: **16383.**

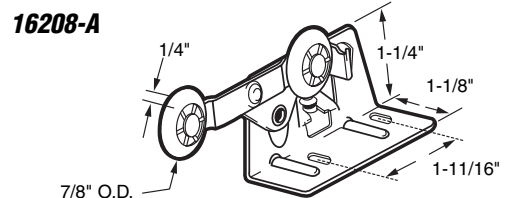


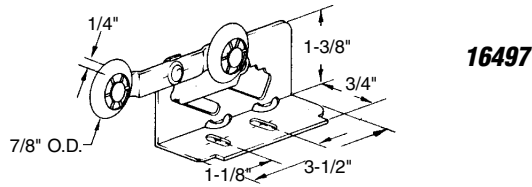
16208-A Roller

Contents: 2 roller assemblies; 4 no. 8 x 1-1/4" Phillips pan head sheet metal screws.

Description: Tandem wheels; top mount steel hanger for pocket doors; 7/8" round edge nylon wheel; for 1-3/8" thick doors up to 75 lbs. each; fits on *Cox*.

You may wish to stock these related parts: **16104, 161930, 161092.**





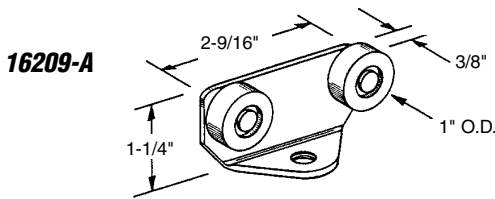
16497

Roller

Contents: 2 roller assemblies; 4 no. 8 x 1-1/4" Phillips pan head sheet metal screws.

Description: Tandem wheels; top mounting; adjustable **steel** bracket; 7/8" diameter **round edge nylon** wheel; fits 3/4" to 1-3/4" thick doors; fits on **Acme**.

You may wish to stock these related parts: **161930; 161092.**



16209-A

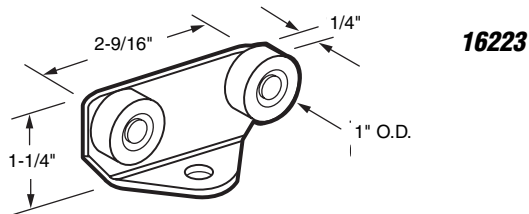
Roller

Contents: 2 roller assemblies.

Description: Tandem wheels; top mount **steel** bracket; 1" diameter x 3/8" thick, **flat edge nylon** wheel; fits 1" to 1-3/8" thick pocket doors up to 75 lbs. each.

You may wish to stock these related parts: **161230, 16104, 161930.**

Call for Availability



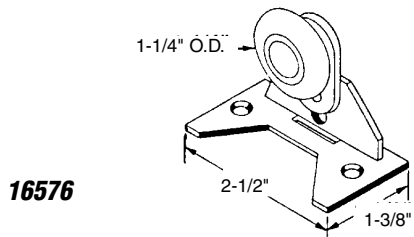
16223

Roller

Contents: 2 roller assemblies.

Description: Tandem wheels; top mount **steel** hanger for pocket doors; 1" diameter x 1/4" thick, **round edge nylon** wheel; for 1-3/8" thick doors up to 75 lbs. each.

You may wish to stock these related parts: **16104, 161930, 161092.**



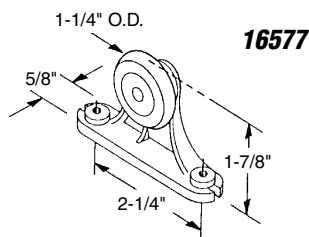
16576

Top Roller Assembly

Contents: 1 roller assembly; 2 no. 8 x 1/2" flat head sheet metal screws.

Description: 1-1/4" diameter **nylon ball bearing** wheel; adjustable **steel** bracket mounts on top of pocket doors; fits on **E-Z Guide**.

You may wish to stock these related parts: **16577.**



16577

Top Assembly

Contents: 1 roller assembly; 2 no. 8 x 1/2" Phillips pan head sheet metal screws.

Description: 1-1/4" diameter **nylon ball bearing** wheel; **diecast** housing; used as a "fixed" back roller on pocket doors; fits on **E-Z Glide**.

You may wish to stock these related parts: **16576.**

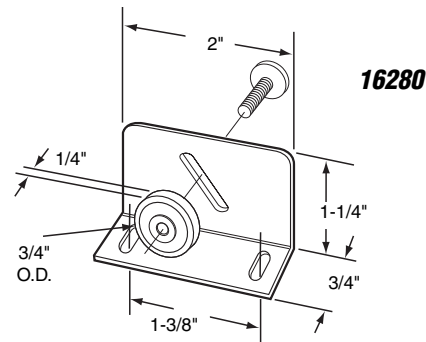
16280

Roller

Contents: 2 roller assemblies; 2 no. 8 x 1-1/4" Phillips pan head sheet metal screws.

Description: 3/4" diameter flat edge nylon ball bearing wheel; stamped steel bracket; top-center mounting; fits 3/4" to 1-3/8" thick doors; adjustable wheel location on bracket; fits on *Atlas*.

You may wish to stock these related parts: **16104, 16539, 16281, 16225.**



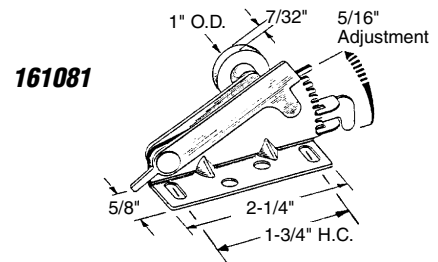
161081

Roller Assembly

Contents: 1 roller assembly; 4 no. 8 x 3/4" Phillips pan head sheet metal screws.

Description: 1" diameter nylon wheel; steel bracket; adjustable up to 5/16" height; for pocket doors 1" to 1-3/4" thick; up to 75 lbs. each; fits on *Kennaframe*.

You may wish to stock these related parts: **161899, 16225.**



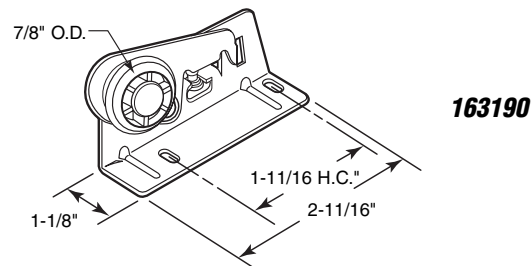
163190

Roller Assembly

Contents: 2 roller assemblies; 4 no. 8 x 1-1/4" Phillips pan head sheet metal screws.

Description: 7/8" diameter nylon wheel; steel bracket; for pocket doors up to 50 lbs; fits on *Cox*.

You may wish to stock these related parts: **16225, 161138.**



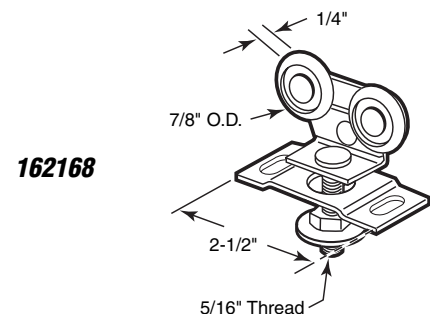
162168

Roller Assembly

Contents: 1 roller assembly; adjustment nut; mounting plate.

Description: 7/8" diameter tandem nylon wheels; steel brackets; for pocket doors from 1" to 1-3/4" thick up to 75 lbs. each; fits on *Atlas*.

You may wish to stock these related parts: **161092, 163210.**



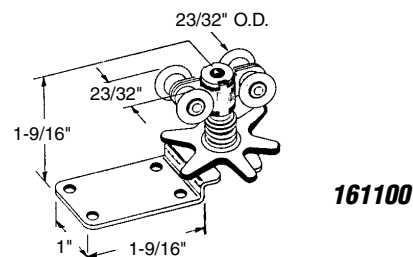
161100

Roller Assembly

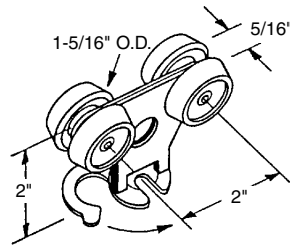
Contents: 1 roller assembly; 4 no. 8 x 3/4" Phillips pan head sheet metal screws.

Description: 4 nylon wheels; spring-loaded, steel bracket; adjustable up to 3/8" height; for pocket doors 1" to 1-3/4" thick; up to 100 lbs. each; fits on *Kennaframe*.

You may wish to stock these related parts: **161899, 161138, 163210.**



16618



16618

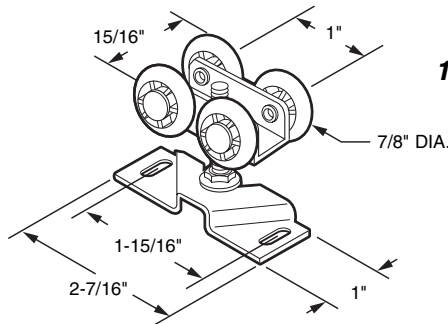
Roller

Contents: 1 roller assembly; 1 no. 8 x 2" wood screw.

Description: 4 wheel carrier; 1-5/16" diameter **nylon** wheels; **steel** bracket with quick release feature; for bi-pass and pocket doors; fits on **E-Z Glide**.

You may wish to stock these related parts: **16577**.

163208



163208

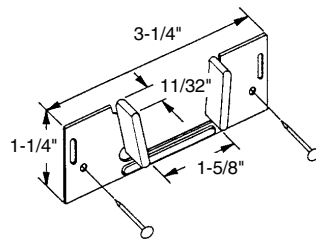
Roller

Contents: 1 roller assembly; 2 no. 8 x 1-1/4" sheet metal screws.

Description: 4 wheel carrier; 7/8" diameter **nylon** wheels; **steel** bracket used on both bi-pass and pocket doors.

Note: See 163175 for 3-wheel version.

161930



161930

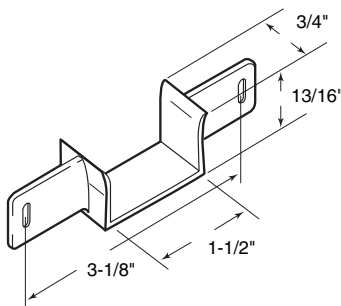
Guide

Contents: 1 guide; 4-3/4" x 15 ga. flat head drive nails.

Description: **Bottom guide** for pocket doors; **jamb mounted steel** bracket with **nylon** tips; for 1-3/8" thick doors; universal design.

You may wish to stock these related parts: **16319**, **16469**.

16225



16225

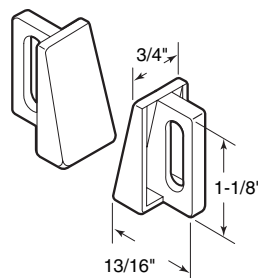
Guide

Contents: 1 guide; 2-3/4" x 15 ga. flat head drive nails.

Description: **Nylon bottom guide** for pocket doors; **jamb mounted**; for 1-3/8" thick doors.

You may wish to stock these related parts: **16319**, **16469**.

161138



161138

Guide

Contents: 2 guides; installation screws.

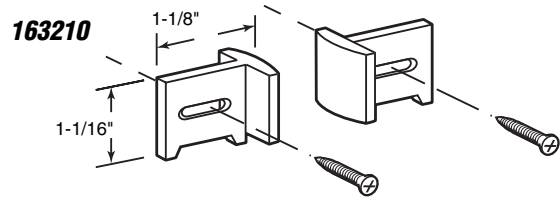
Description: 2 piece **nylon bottom guide**; **jamb mounted**; slotted mounting holes for horizontal adjustment of pocket door; for use with any door thickness.

163210

Side Adjusting Guide

Contents: 2 guides; 2 installation screws.

Description: 2 piece nylon bottom guide; jamb mounted; slotted mounting holes for horizontal adjustment of pocket door; for use with any door thickness.



161494 (Polished brass)

163505 (Antique brass)

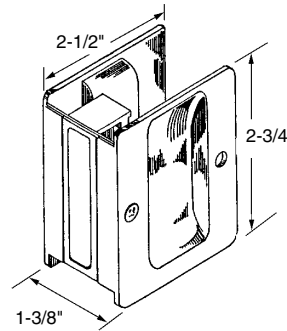
163507 (Chrome plated)

Passage Pull

Contents: 1 passage pull; 1 set of installation screws.

Description: Solid brass pull for passageway (pocket) doors; reversible.

You may wish to stock these related parts: **161495, 163142.**



161494

163505

163507

161495 (Polished brass)

163142 (Antique brass)

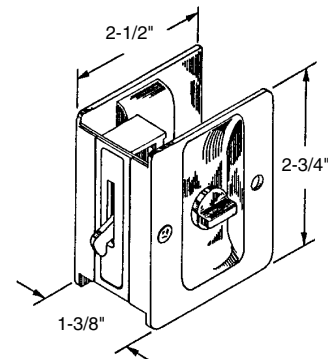
161887 (Chrome plated)

Privacy Lock

Contents: 1 lock and pull; 1 set of installation screws.

Description: Solid brass sliding door lock and pull for passageway (pocket) doors; reversible.

You may wish to stock these related parts: **N-6770.**



161495

163142

161887

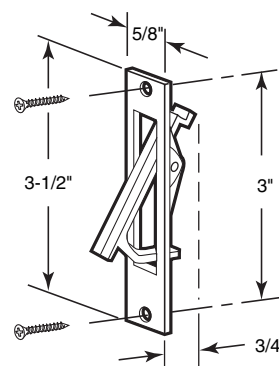
161496

Flush Pull

Contents: 1 pull; 2 no. 8 x 3/4" Phillips flat head sheet metal screws.

Description: Brass plated diecast pull; fits a 5/8" x 3-1/2" mortise, 3/4" deep; pull retracts from flush position.

You may wish to stock these related parts: **16104.**



161496

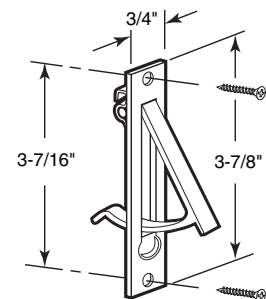
163200

Pull

Contents: 1 pull; 1 set of installation screws.

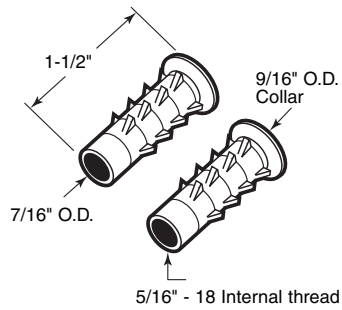
Description: Polished solid brass pull; fits a 3/4" x 3-7/8" mortise, 1-11/16" deep; spring loaded pull retracts flush to door edge.

You may wish to stock these related parts: **161496, 161494, 161495.**



163200

161520



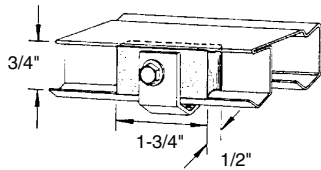
161520

Thread Insert

Contents: 4 inserts.

Description: Black nylon; 5/16" - 18 threaded insert for use on wood bi-fold doors; for replacement of lost or stripped inserts used on many top hung doors.

You may wish to stock these related parts: **16468, 16466**



163135

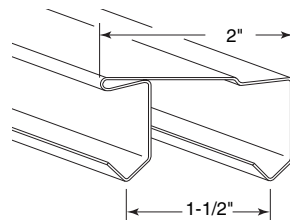
163135

Roller Center Stop

Contents: 1 stop with mounting bracket with set screw.

Description: Plated steel bracket with rubber stop; mounts into track channel at center position; prevents over-travel of doors; fits on *Acme "Bi-Parting" and "4 door" systems.*

You may wish to stock these related parts: **16217, 16136.**



163502

163502 (Galvanized steel)

163501 (Aluminum extrusion)

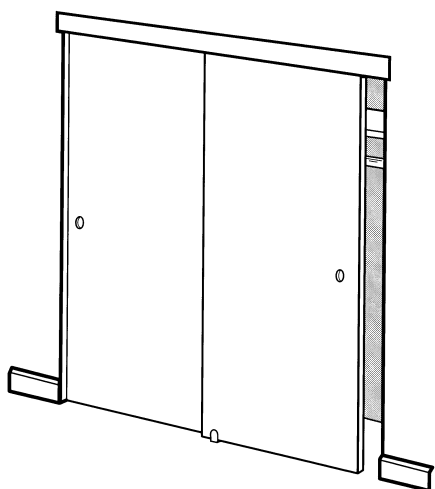
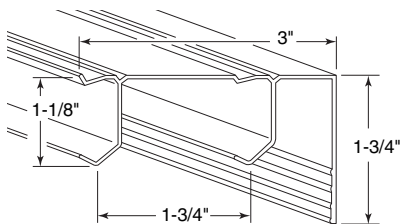
Bi-Pass Door Track

Contents: 1 piece, 96" long.

Description: Replacement track; used by various manufacturers.

Note: Part no. **163502** minimum order - 4 pieces.
Part no. **163501** minimum order - 2 pieces.

163501



161791
161792
161793
161850
163499

161791 (48" opening) 2 panel system

161792 (60" opening) 2 panel system

161793 (72" opening) 2 panel system

161850 (96" opening) 2 panel system

163499 (96" opening) 3 panel system

Bi-Pass Door Track and Hardware Kit

Contents: 1 steel track; 2 (4*) hangers (front); 2 (4*) hangers (back); 2 (4*) finger pulls; 1 (2*) bottom guide(s); 1 set of fasteners.

(*) Quantity supplied for 3 panel systems only.

Description: Galvanized steel track; plated steel hangers; adjustable bottom guide (steel base with nylon tips); brass plated steel finger pulls. Track length is pre-cut to slightly less than opening size to minimize the need to cut the track; use with wood door panels 3/4" to 1-3/8" thick; for use on doors weighing up to 60 lbs. each; minimum order: 6 each.

Pocket Door Hardware

161794 (36" opening) 2 panel system

161795 (48" opening) 4 panel system

161796 (60" opening) 4 panel system

161797 (72" opening) 4 panel system

Bi-Fold Door Track and Hardware Kit

Contents: 1 steel track; 1 (2*) top pivot brackets; 1 (2*) top pivots; 1 (2*) roller guides; 3 (6*) non-mortise hinges; 1 (2*) bottom pivots; 1 (2*) bottom pivot brackets; 1 (2*) spring snigger(s); (2*) door aligners; 1 (2*) door knobs; 1 set of fasteners.

(*) Quantity supplied for 4 panel systems only.

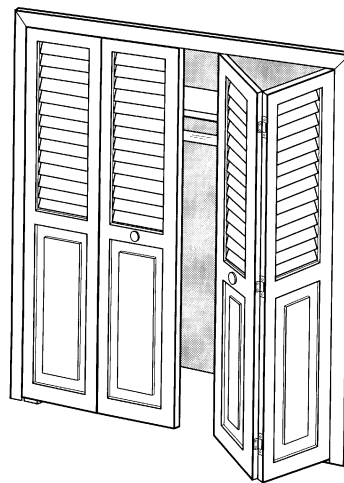
Description: Painted steel track; steel top pivot brackets are pre-installed to track; steel bottom pivot brackets; brass plated steel hinges; roller guides and pivots have a 7/16" diameter nylon base with steel pins; steel spring snigger with plastic retainer sleeve; zinc plated steel aligners; unfinished wood knobs. Track length is pre-cut to slightly less than opening size to minimize the need to cut the track; use with wood door panels 1" to 1-3/8" thick; for use on doors weighing up to 30 lbs. each; minimum order: 6 each.

161794

161795

161796

161797



161798 (36" maximum door size)

Pocket Door Track and Hardware Kit

Contents: Track: (1) 71" galvanized steel double "J" track

Headers: (1) 3/4" x 2" x 72" (wood)
(2) 3/4" x 2" x 37" (wood)

Uprights: (4) 3/4" x 1-3/4" x 84" wood with steel support channel.

Hanger Brackets: (2) steel floor brackets
(1) steel front header bracket
(1) steel rear header bracket

Horizontal Support: 3/4" x 2" x 40" wood support

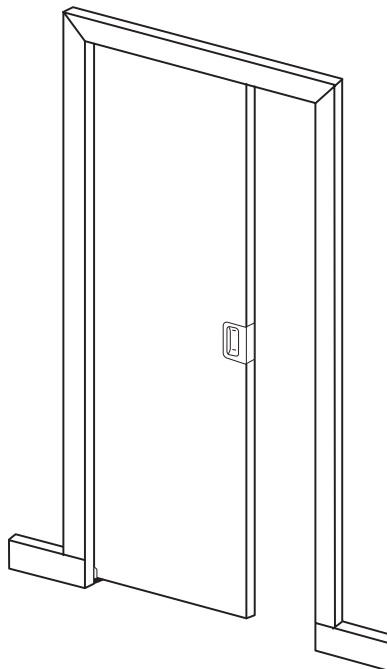
Hardware: (2) 4-wheel top roller assemblies
(steel bracket with nylon wheel)
(1) steel bottom guide with nylon tips
(1) rubber door bumper
(1) steel adjusting wrench
(1) set of fasteners
(1) set of drywall screws.

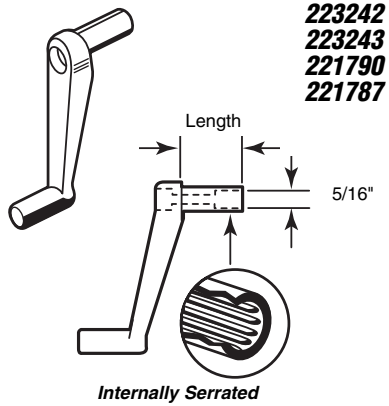
Description: This pocket door track kit with concealed hardware was designed for easy installation, yet offers professional quality throughout. Super heavy-duty 4-wheel roller assemblies are exceptionally quiet, durable and respond to the lightest touch; easily adjusted with the wrench supplied. These rollers, when used in conjunction with the double-J track, develop a superior stability not found in most other kits; may be used on wood doors (1-3/8" to 1-3/4") thick, up to 150 lbs; minimum order: 6 each.

The header board is pre-marked with cut-off indicators, for 24", 30", 32" and 36" door size applications.

Fasteners include all necessary hardware fasteners as well as screws for drywall installation.

161798





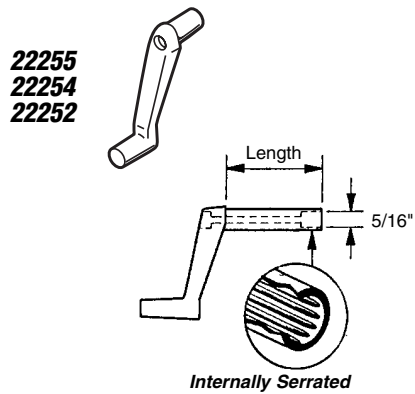
223242 (13/16" stem length)
223243 (1-3/4" stem length)
221790 (2-1/8" stem length)
221787 (3-1/8" stem length)

223242 (13/16" stem length)
223243 (1-3/4" stem length)
221790 (2-1/8" stem length)
221787 (3-1/8" stem length)

Handle

Contents: 2 handles; 2 installation screws.

Description: Brown plastic crank; internally serrated to fit 5/16" spindle; used on crank-out windows.



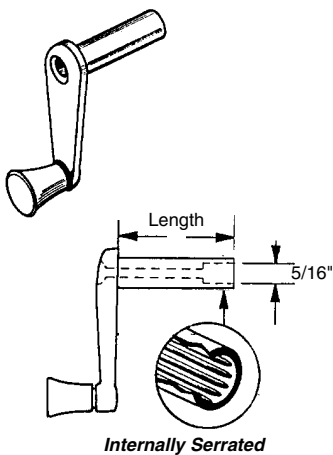
22255 (1/4" stem length)
22254 (3/4" stem length)
22252 (1-3/4" stem length)

22255 (1/4" stem length)
22254 (3/4" stem length)
22252 (1-3/4" stem length)

Handle

Contents: 1 handle; 1 installation screw.

Description: Diecast crank; internally serrated to fit 5/16" spindle; used on crank-out windows.



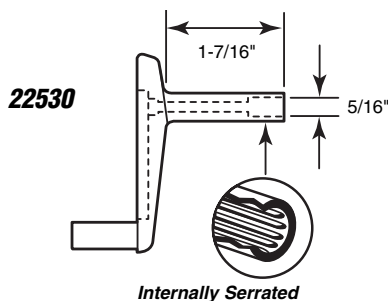
223264 (1/2" stem length)
22251 (1" stem length)
22253 (1-1/4" stem length)

223264 (1/2" stem length)
22251 (1" stem length)
22253 (1-1/4" stem length)

Handle

Contents: 1 handle with installation screw.

Description: Diecast crank and swivel knob; internally serrated to fit 5/16" spindle; used on crank-out windows.



22530

22530

Handle

Contents: 1 handle; 1 installation screw.

Description: Beige plastic crank; internally serrated to fit 5/16" spindle; fits on crank-out windows or top vents by **Hehr**.

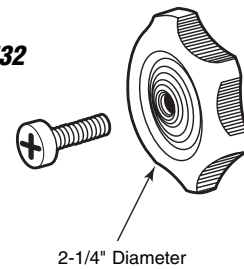
22532

Handle

Contents: 1 handle; 1 no. 8-32 x 5/8" Phillips pan head machine screw.

Description: Heavy-duty plastic knob; 1/4" shank; internally serrated to fit 5/16" spindle; used on top vents or sun roofs.

22532



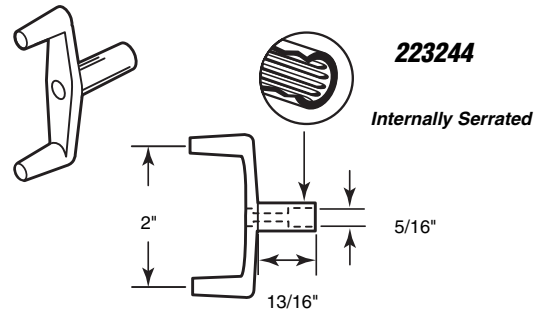
223244

Handle

Contents: 2 handles; 2 no. 8-32 x 1" slotted Fillister head machine screws.

Description: Dual-grip, white nylon crank handle; internally serrated to fit 5/16" spindle; used on crank-out windows and roof vents.

223244



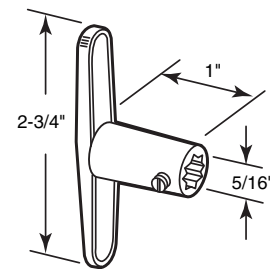
22528

Handle

Contents: 1 handle with set screw.

Description: Diecast crank handle; heavy-duty construction; internally serrated to fit 5/16" spindle; used on crank-out windows or roof vents.

22528



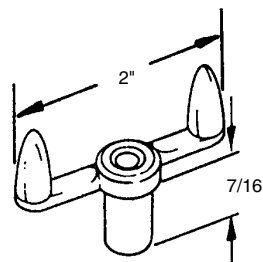
22256

Handle

Contents: 1 handle; 1 no. 8-32 x 5/8" Phillips pan head machine screw.

Description: Dual-grip, diecast crank handle; internally serrated to fit 5/16" spindle; used on crank-out windows.

22256



22250-A (7/8" long)

22250-B (1-1/8" long)

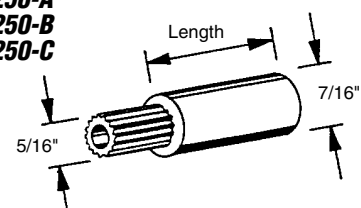
22250-C (2" long)

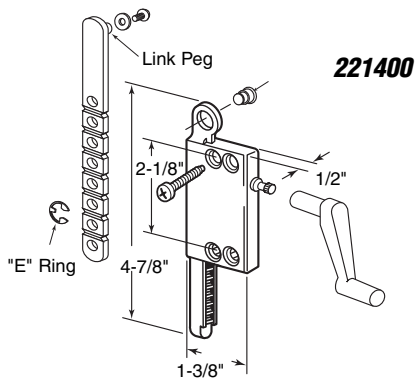
Handle Extension

Contents: 1 extension with screw.

Description: Diecast extender; serrated both internally and externally for 5/16" spindle applications; for use with crank-out window and roof vent handles.

22250-A
22250-B
22250-C





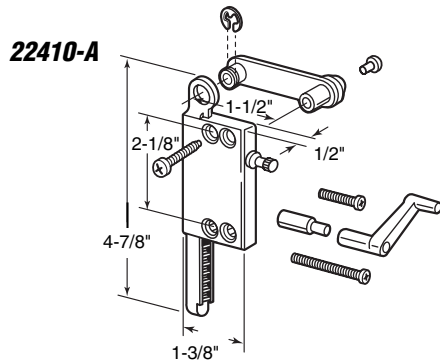
221400

221400

Awning or Louvre Window Operator

Contents: 1 operator; 1 extension arm; 1 crank handle; 1 set of installation hardware.

Description: Diecast rack operator; adjustable break-off link extension arm for universal application; 5/16" spindle size; used on either left or right handed windows; **side mount**.



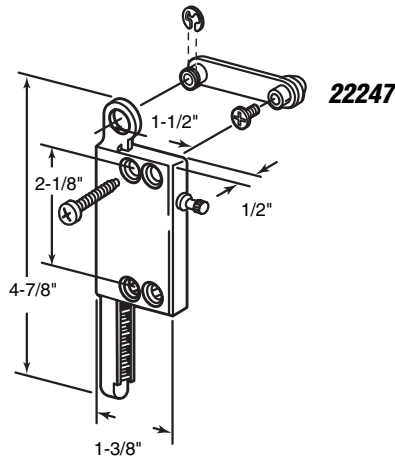
22410-A

22410-A

Louvre Window Operator

Contents: 1 operator; 1 crank handle; 1 link assembly; 1 crank handle extension; 1 set of installation hardware.

Description: Diecast rack operator, gear link and shaft extension; 5/16" spindle size; used on either left or right handed windows; **side mount**.



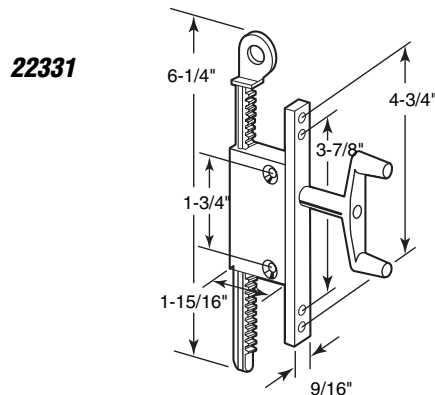
22247

22247

Louvre Window Operator

Contents: 1 operator; 1 link assembly; 1 set of installation hardware.

Description: Diecast rack operator and attachment link; 5/16" spindle size; can be used on either left or right handed windows; **side mount**.



22331

22331

Louvre Window Operator

Contents: 1 operator; 1 crank handle; 1 set of installation screws.

Description: Diecast rack operator; 5/16" spindle size; **plastic** dual-grip crank handle; **face mounted**; non-handed.

Call for Availability

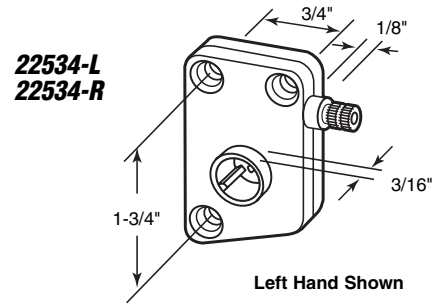
22534-L (Left hand)
22534-R (Right hand)

Slant Sill Operator

Contents: 1 operator; 1 set of installation screws.

Description: Diecast operator; used on either awning or louvre windows; side mount for slanted sill.

Note: Hand determined from outside of window looking in.



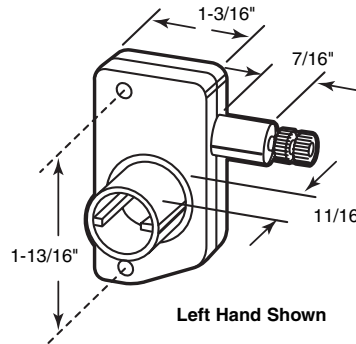
22335-L (Left hand)
22335-R (Right hand)

Slant Sill "Mini" Operator

Contents: 1 operator; 1 set of installation screws.

Description: Diecast operator; used on either awning or louvre windows; "mini size"; side mount for slanted sill.

Note: Hand determined from outside of window looking in.



22335-L
22335-R

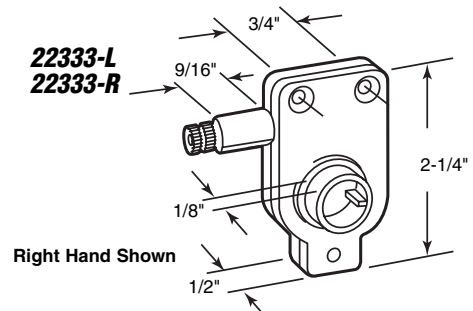
22333-L (Left hand)
22333-R (Right hand)

Torque Operator

Contents: 1 operator; 1 set of installation screws.

Description: Diecast operator; used on either awning or louvre windows; side mount.

Note: Hand determined from outside of window looking in.



22333-L
22333-R

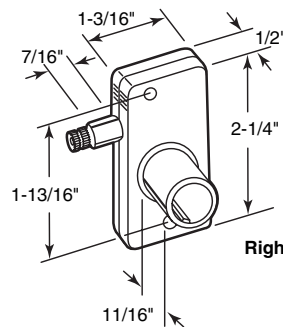
223246 (Left hand)
223247 (Right hand)

Torque Operator

Contents: 1 operator; 1 set of installation screws.

Description: Diecast operator; used on either awning or louvre windows; side mount.

Note: Hand determined from outside of window looking in.



223246
223247

Call for
Availability

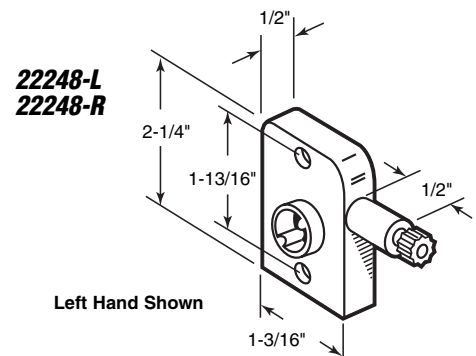
22248-L (Left hand)
22248-R (Right hand)

Torque Operator

Contents: 1 operator; 1 set of installation screws.

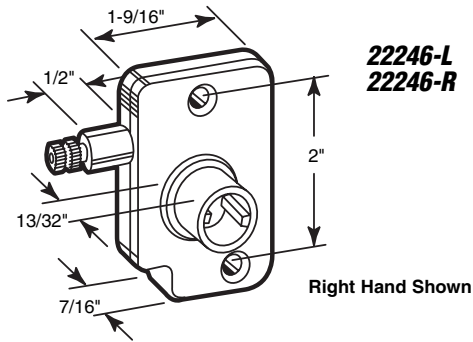
Description: Diecast operator; used on either awning or louvre windows; side mount; used by *Sun Valley* and others.

Note: Hand determined from outside of window looking in.



22248-L
22248-R

Call for
Availability



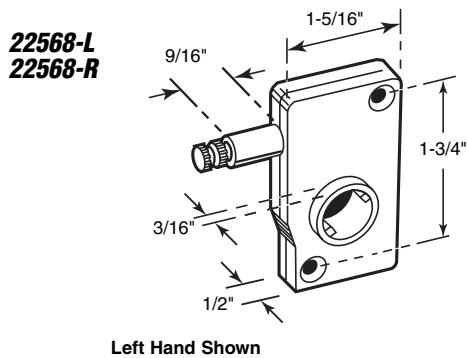
22246-L (Left hand)
22246-R (Right hand)

Torque Operator

Contents: 1 operator; 1 set of installation screws.

Description: Diecast operator; used on either awning or louvre windows; side mount.

Note: Hand determined from outside of window looking in.



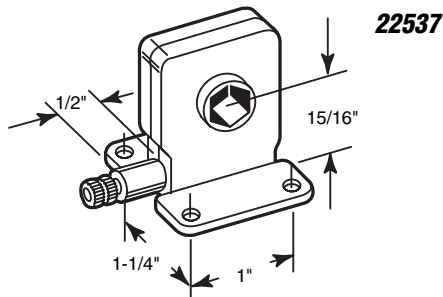
22568-L (Left hand)
22568-R (Right hand)

Torque Operator

Contents: 1 operator; 1 set of installation screws.

Description: Diecast operator; used on either awning or louvre windows; side mount.

Note: Hand determined from outside of window looking in.

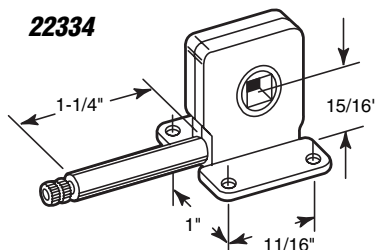


22537

Torque Operator

Contents: 1 operator; 1 set of installation screws.

Description: Diecast operator; 3/8" hex socket; center mount; used on either awning or louvre style windows.



22334

Torque Operator

Contents: 1 operator; 1 set of installation screws.

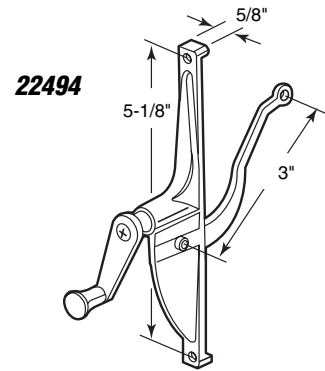
Description: Diecast operator; 5/16" square socket; center mount; used on either awning or louvre windows.

22494

Awning Window or Roof Vent Operator

Contents: 1 operator; 1 crank handle; 1 set of installation screws.

Description: Diecast operator and crank handle; steel arm; zinc-plated; non-handed; used on 6" standard vent windows.



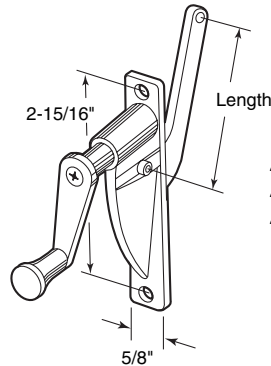
- 22711-4 (4" arm length)
- 22711-5 (5" arm length)
- 22711-7 (7-5/8" arm length)

Awning Window or Roof Vent Operator

Contents: 1 operator; 1 crank handle; 1 set of installation screws.

Description: Diecast operator and crank handle; zinc-plated; check specific arm length required.

Note: 22711-4 requires no. 22533 operator button.



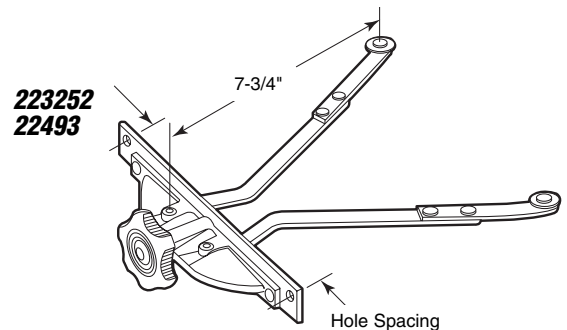
22711-4
22711-5
22711-7

- 223252 (5-7/8" hole spacing)
- 22493 (4-13/16" hole spacing)

Sun Roof Vent Operator

Contents: 1 operator with extension arms; 1 crank knob; 1 set of installation screws.

Description: Diecast operator; steel arms; zinc plated; plastic crank handle; operator housing is available with two different hole spacings.

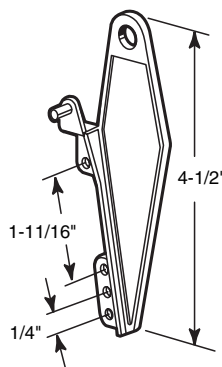


- 22415 (Left & right - 1 pr./card)
- 22415-L (Left hand - 1/card)
- 22415-R (Right hand - 1/card)

Pivot Brackets

Contents: Brackets.

Description: Diecast pivot brackets link the operator moving arm to the louvre window clip arm; adjustable; used on Phillips windows.



22415
22415-L
22415-R

Right Hand Shown

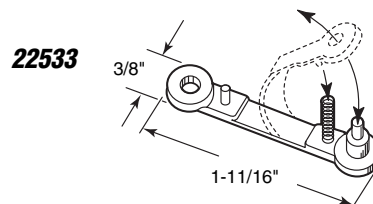
22533

Roof Vent Operator Button

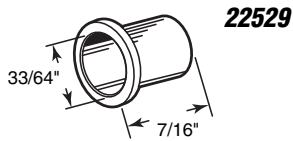
Contents: 1 button; 1 spring.

Description: Plastic roof vent attachment button; snaps onto end of operator arm and attaching unit; used by Hehr and others.

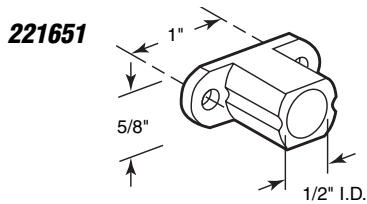
Note: Use with no. 22711-4 operator.



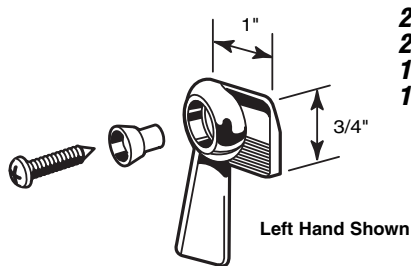
22533



22529

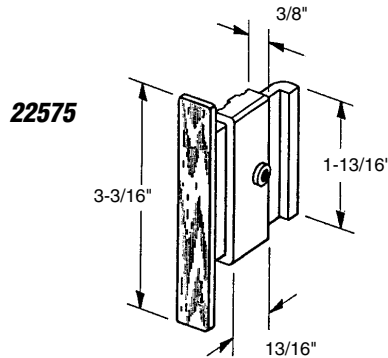


221651

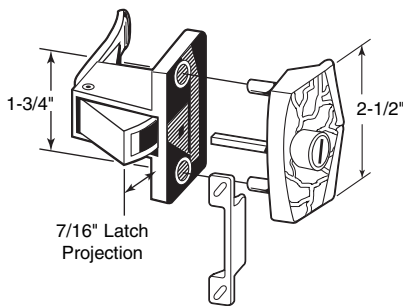


22535-L
22535-R
172587-L
172587-R

Left Hand Shown



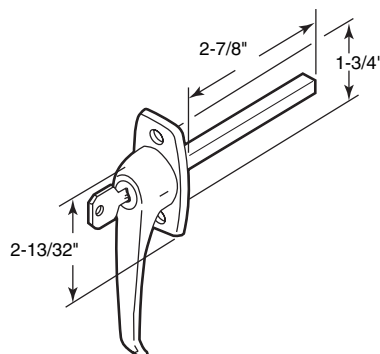
22575



222767

7/16" Latch Projection

223461



22529

Torque Bar Bushing

Contents: 2 bushings.

Description: Nylon bushing; accepts a 1/2" drive rod; used in conjunction with a variety of torque operators.

221651

Torque Bar Bushing

Contents: 1 bushing; 1 set of installation screws.

Description: Nylon bushing; accepts a 1/2" drive rod; used in conjunction with a variety of torque operators.

- 22535-L** (Left hand - chrome finish - 1 per card)
- 22535-R** (Right hand - chrome finish - 1 per card)
- 172587-L** (Left hand - black finish - 2 per card)
- 172587-R** (Right hand - black finish - 2 per card)

Sliding Window Sash Lock

Contents: 1(2) lock; 1(2) bushing; 1(2) installation screw.

Description: Diecast lock; nylon bushing; no keeper required; lock engages fixed rail of window to hold vent shut.

22575

Sliding Window Latch and Pull

Contents: 1 latch assembly.

Description: White nylon with wood grain feature strip; spring loaded; self-latching; used on *Phillips* RV windows.

222767 (Antique brass finish)

Privacy Latch

Contents: 1 inside latch and pull; 1 outside pull; 1 pushbutton spindle; 1 strike, 1 set of installation screws.

Description: Diecast assembly; plastic pushbutton; interior lock button for privacy; use screwdriver in exterior pushbutton to override; fits 1/2" to 1" thick interior RV doors.

223461 (Chrome finish)

Locking Handle (Non-handed)

Contents: 1 locking handle; 2 keys; 1 set of installation screws.

Description: Diecast construction; 1-3/4" hole centers; 5/16" square spindle; hardened steel shaft; 90° rotation.

You may wish to stock these related parts: **22329**, **22328**, **22531**.

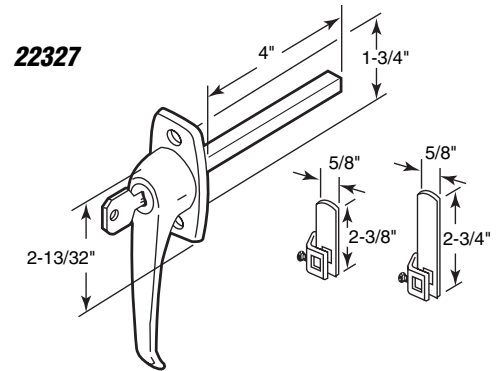
22327 (Non-handed)

Locking Handle (Chrome finish)

Contents: 1 locking handle; 2 keys; 2 cam locks; 1 set of installation screws.

Description: Diecast construction; **1-3/4" hole centers**; 5/16" square spindle; hardened **steel** shaft; used as a compartment lock and handle.

You may wish to stock these related parts: **22531**.



223253 (Chrome finish - 2-7/8" spindle length)

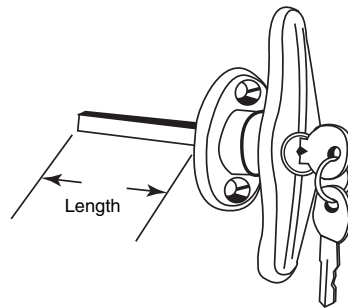
223463 (Black finish - 2" spindle length)

Locking Handle

Contents: 1 locking handle; 2 keys; 1 set of installation screws.

Description: Diecast construction; 5/16" square spindle; hardened **steel** shaft; **1-1/2" hole centers**; used as a compartment lock and handle.

You may wish to stock these related parts: **22329**, **22328**, **22531**.



223253
223463

22329 (2-3/8" latch length)

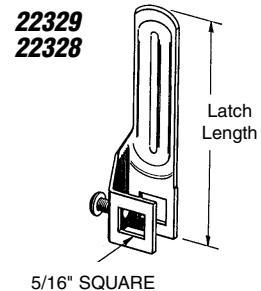
22328 (2-3/4" latch length)

Cam Lock

Contents: 1 cam lock with set screws.

Description: Zinc plated steel; accepts a 5/16" square spindle.

You may wish to stock these related parts: **223461**, **223253**.



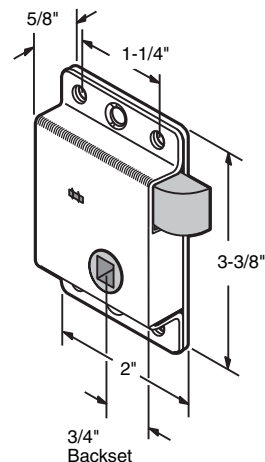
R-7262

Latch Assembly

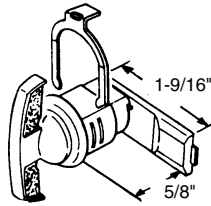
Contents: 1 latch.

Description: Stamped steel housing; diecast latch parts; surface mount; zinc plated; surface mounted interior latching mechanism for cabinet or compartment doors.

You may wish to stock these related parts: **223461**, **223253**, **22329**, **22328**.



R-7262



223260

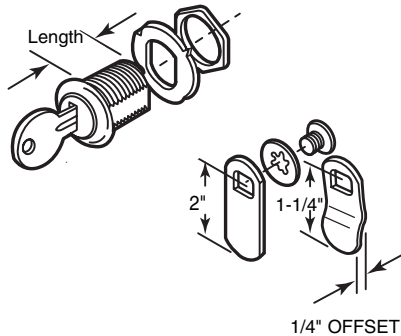
223260

Compartment Latch

Contents: 1 latch assembly; 1 holding clip.

Description: Diecast thumbturn and latch assembly; spring steel clip; zinc plated; requires a 3/4" hole for installation.

**22946
22947
22409**



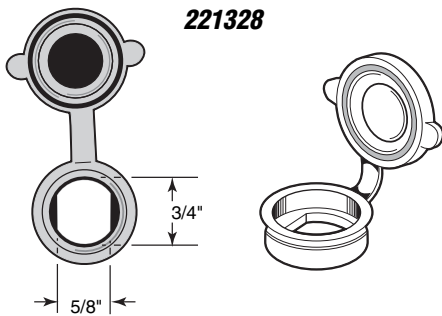
- 22946** (5/8" cylinder length)
- 22947** (7/8" cylinder length)
- 22409** (1-1/8" cylinder length)

Cylinder Lock - Keyed

Contents: 1 lock cylinder; 2 keys; 1 flush cam; 1 offset cam; 1 set of installation hardware.

Description: Zinc plated steel and diecast components; cylinder requires a 3/4" hole for installation; frequently used to secure RV compartments and tool cabinets.

You may wish to stock these related parts: **221328**.



221328

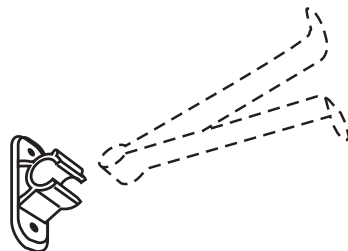
221328

Cylinder Lock Dust Cover

Contents: 2 lock covers.

Description: Black flexible rubber; prevents dust and dirt particles from entering key cylinder locks; extends lock life and reduces replacement costs; accommodates 3/4" diameter face plates.

223276



223276

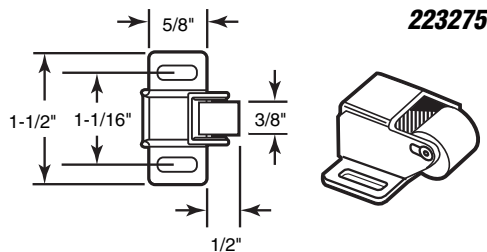
Screen Door Holder Catch

Call for Availability

Contents: 1 door catch; 1 set of installation screws.

Description: Nylon catch; used with latching rod shown; holds door in the "open" position.

Note: Holder Rod not included.



223275

223275

Screen Door Roller Catch

Contents: 1 screen door catch with 2 mounting screws.

Description: Zinc plated steel roller housing; spring loaded, gray vinyl roller; mounts to handle side of aluminum screen door, holds door in "closed" position.

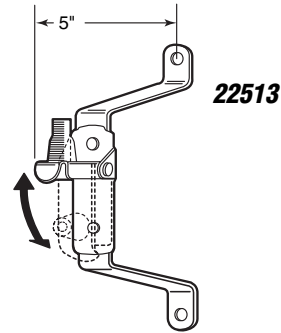
22513 (5" projection)

Door Holder

Call for Availability

Contents: 1 holder assembly with **rubber** bumper.

Description: **Cadmium plated steel**; spring loaded catch arm; holds door open when engaged into strike (in the up position); catch arm serves as a door bumper (in the down position).



22512 (2" projection)

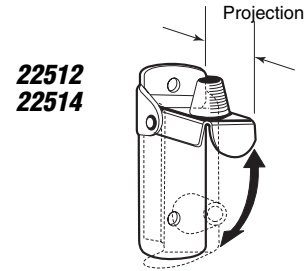
22514 (6" projection)

Door Holder

Call for Availability

Contents: 1 holder assembly with **rubber** bumper.

Description: **Cadmium plated steel**; spring loaded catch arm; holds door open when engaged into strike (in the up position); catch arm serves as a door bumper (in the down position).



22515

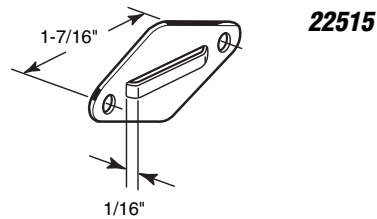
Door Holder Catch

Call for Availability

Contents: 1 catch plate.

Description: **Cadmium plated steel**; mounts on door to accept door holder and holds door in the "open" position.

You may wish to stock these related parts: **22513**, **22512**, **22514**.

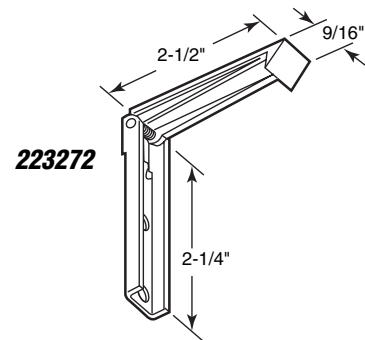


223272

Compartment Door Catch

Contents: 1 door catch with mounting screws.

Description: **Zinc plated steel** holds door in "open" position; used on cabinet and lift-up compartment doors.



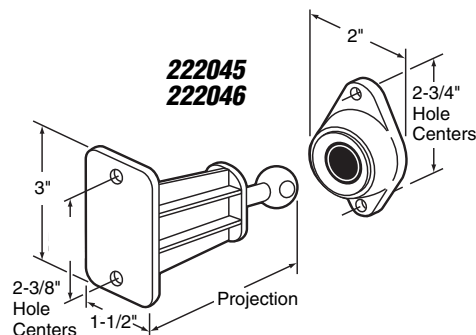
222045 (3" arm projection)

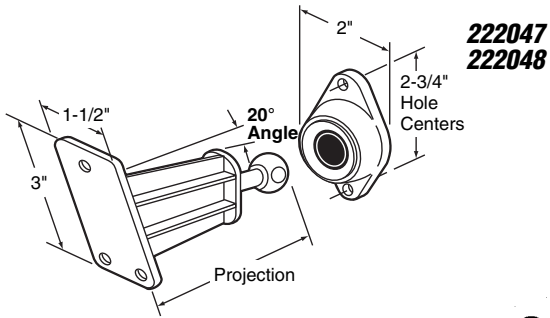
222046 (4-3/4" arm projection)

Door Holder Rod and Retainer (Colonial white)

Contents: 1 rod; 1 retainer with **rubber** insert.

Description: **Heavy-duty plastic** construction; **straight arm rod**; retainer accepts holder rod to secure door in the "open" position.





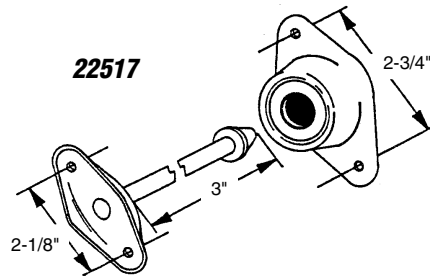
222047
222048

222047 (3" arm projection)
222048 (4-3/4" arm projection)

Door Holder Rod and Retainer (Colonial white)

Contents: 1 rod; 1 retainer with rubber insert.

Description: Heavy-duty plastic construction; angled arm rod; retainer accepts holder rod to secure door in the "open" position.



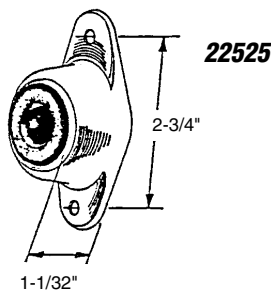
22517

22517
Door Holder Rod and Retainer

Contents: 1 rod; 1 retainer with rubber insert.

Description: Cadmium plated steel rod and retainer housing; rubber retainer secures door in the "open" position.

You may wish to stock these related parts: **22525**.

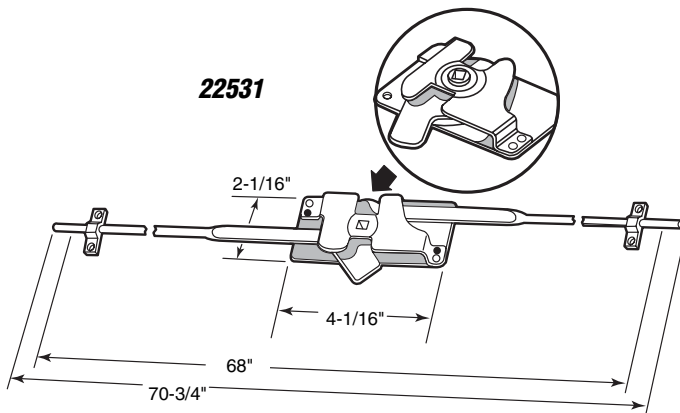


22525

22525
Door Holder Rod Retainer

Contents: 1 retainer.

Description: Cadmium plated steel housing; rubber insert.



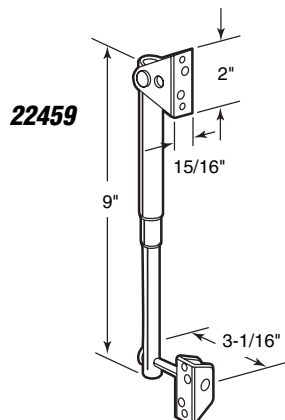
22531

22531
Camper Door 3-Point Lock

Contents: 1 lock assembly with extension rods; 2 guide brackets; 1 set of installation screws.

Description: 3 point deadlock assembly; zinc plated steel construction; lock arms extend to 70-3/4".

You may wish to stock these related parts: **223461**, **223253**.



22459

22459
Camper Door Spring Prop

Contents: 1 prop with brackets; 1 set of installation screws.

Description: Plated steel spring cartridge and brackets; adjustable; heavy duty construction; 34 lbs. lift capacity.

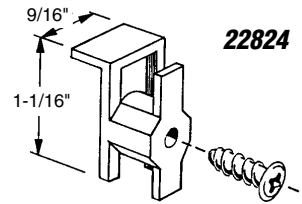
22824

Sliding Door Guides

Contents: 2 guides; 2 no. 10 x 1/2" Phillips pan head sheet metal screws.

Description: White plastic sliding door guides for use on Arrow storage buildings manufactured prior to 1977.

You may wish to stock these related parts: 22825, 22826.



22825

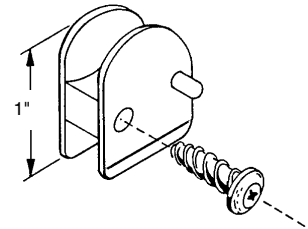
Sliding Door Guides

Contents: 4 guides; 4 no. 10 x 1/2" Phillips pan head sheet metal screws.

Description: Brown plastic sliding door guides for use on Arrow storage buildings manufactured after 1976.

You may wish to stock these related parts: 22824, 22826.

22825



22826

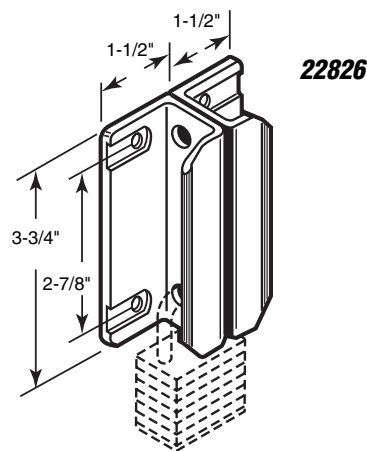
Sliding Door Handle

Contents: 2 handles; 4 no. 10-24 x 1/2" carriage bolts; 4 no. 10-24 hex nuts; 4 lock washers.

Description: Heavy duty black nylon handles; tamper-proof screws; used to secure pairs of sliding doors on storage buildings.

Note: Lock not included.

You may wish to stock these related parts: 22824, 22825.



22511 (Single door set)
22511-D (Double door set)

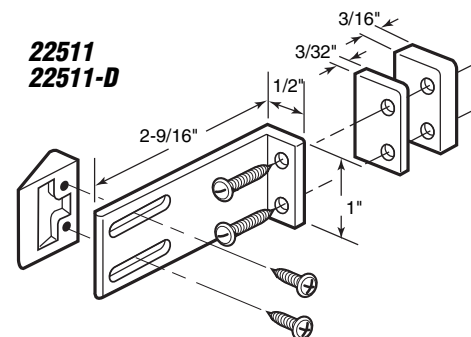
Call for Availability

Refrigerator Door Latch

Contents: 1 set contains- 1 mounting bracket; 1 stop wedge; 4 spacers; 1 set of installation screws.

Description: Durable off-white plastic components; adjustable; positive latching action eliminates the need for other latching devices.

22511 22511-D

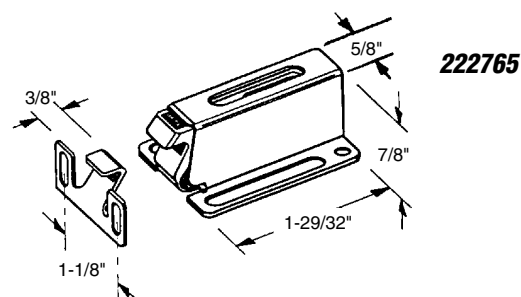


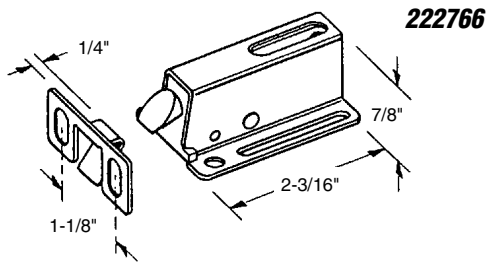
222765 (Brown finish)

Cabinet Door Catch

Contents: 1 catch; 1 keeper; 1 set of installation screws.

Description: Steel housing and keeper; nylon catch; positive latching action; frequently used on mobile home cabinets; latch retracts by pulling outside knob.



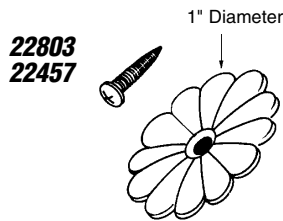


222766 (Brown finish)

Cabinet Door Catch

Contents: 1 catch; 1 keeper; 1 set of installation screws.

Description: Steel housing and keeper; nylon catch; positive latching action; frequently used on mobile home cabinets; latch retracts by pulling outside knob.



22803 (Carded)

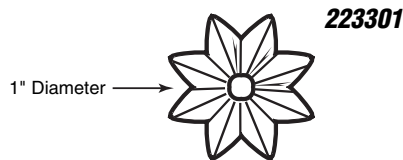
22457 (Bulk)

Ceiling and Wall Board Rosettes (White)

Contents: Carded- 5 rosettes; 5 no. 6 x 1-1/4" Phillips oval head sheet metal screws.

Bulk- 100 rosettes only.

Description: Nylon; petal design; used to secure ceiling panels or wall board in mobile homes.

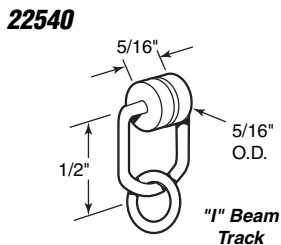


223301 (Clear)

Mirror Rosettes

Contents: 6 rosettes; 6 no. 6 x 1-1/4" Phillips oval head sheet metal screws.

Description: Acrylic; star design; used to secure mirror to wall in mobile homes.

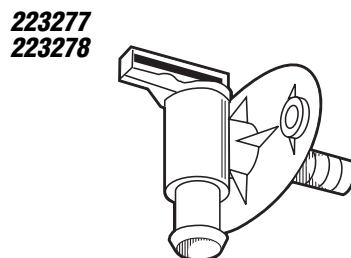


22540

Drapery Carrier

Contents: 10 carriers.

Description: RV drapery carriers designed for "I" beam track; nylon rollers, steel hangers; attaches curtain securely to track.



223277 (1/2" tube fitting)

223278 (3/8" tube fitting)

Drain Valve

Contents: 1 drain valve.

Description: Durable white plastic construction; used to drain built-in water tank.

R-7198 (White)

R-7199 (Brown)

Skirting Vents

Contents: 50 vents per carton.

Description: Durable plastic construction; designed for installation on mobile home skirting; facilitates ventilation.

R-7171

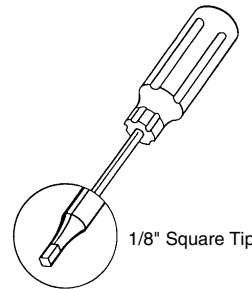
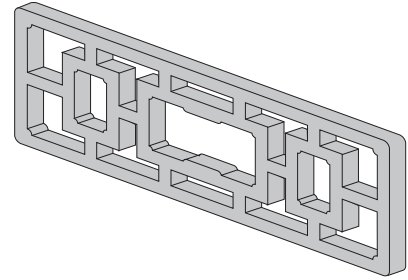
Square Tip Screwdriver

Contents: 1 screwdriver.

Description: Zinc plated steel shank; nylon handle, for use on RV accessories which utilize 1/8" square recess fasteners.

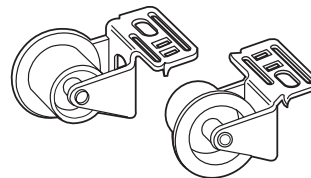
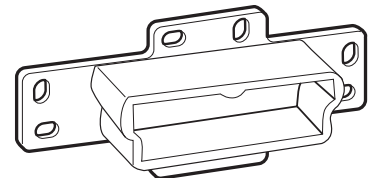
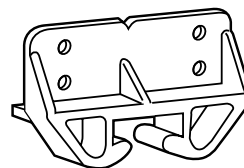
Drawer and cabinet hardware located in the following section, is used in both RV/mobile home and residential applications.

R-7198
R-7199



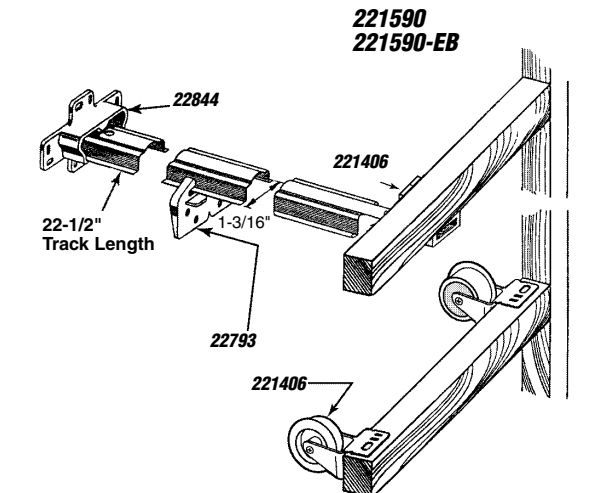
R-7171

1/8" Square Tip



The following pages offer
a comprehensive selection of:

Drawer and Cabinet HARDWARE



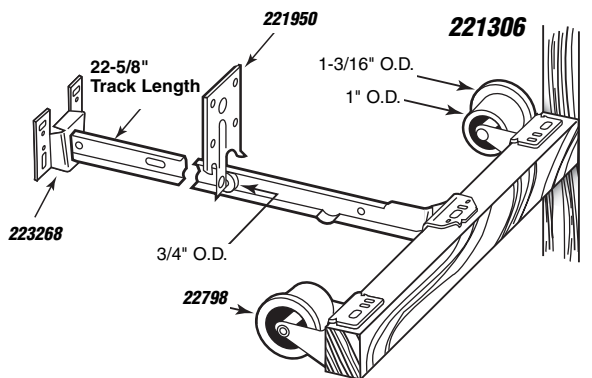
221590
221590-EB (30 per display box)

Rolled Edge Drawer Track Kit

Contents: 1 track; 1 front plate; 1 back plate; 1 drawer guide; 2 front rollers; 1 set of installation fasteners.

Description: Rolled edge **galvanized steel** track; **polyethylene** guides; **nylon** front rollers; components designed for superior strength and smooth operation; may be used for top or bottom mount installations.

Note: 22-1/2" long track may be cut down to fit shorter drawer applications.



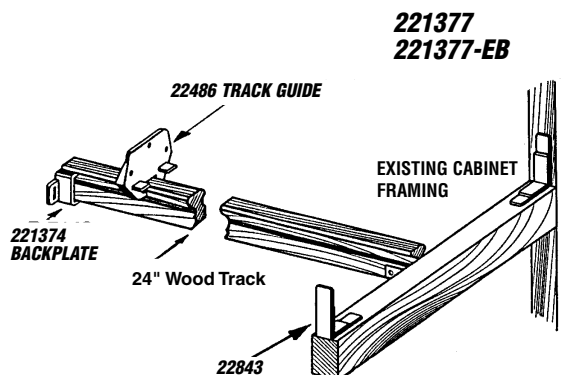
221306

Monorail Drawer Track Kit

Contents: 1 track; 1 roller guide; 1 rear mount bracket; 1 left hand roller; 1 right hand roller; 1 set of installation fasteners.

Description: **Galvanized steel** track and rear support bracket; **nylon** rollers; 75 lb. test rated; requires 1-1/4" clearance for installation; may be top or bottom mounted.

Note: 22-5/8" long track may be cut down to fit shorter drawer applications.



221377
221377-EB (30 per display box)

Wood Drawer Track Kit

Contents: 1 wood track; 1 drawer guide; 1 back plate; 2 "L" angles; 2 side saddles; 1 set of installation fasteners.

Description: **Wood** track; **polyethylene** guides and side saddles; **steel** angle brackets support front end of track; designed to replace most wood track systems; may be used for top or bottom mount installations; restores smooth operation to track mounted drawers.

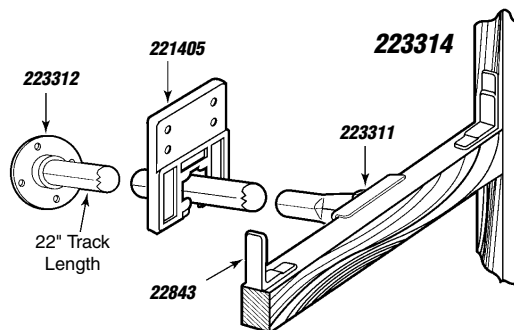
Note: 24" long track may be cut down to fit shorter drawer applications.

223314

Tubular Drawer Track Kit

Contents: 1 track; 1 front plate; 1 back plate; 1 drawer guide; 2 side saddles; 1 set of installation hardware.

Description: White powder coated cylindrical track; white polyethylene guide and side saddles; plastic support brackets; stop notch prevents drawer from being accidentally pulled out.



223296 (16" Length)

223297 (18" Length)

223298 (20" Length)

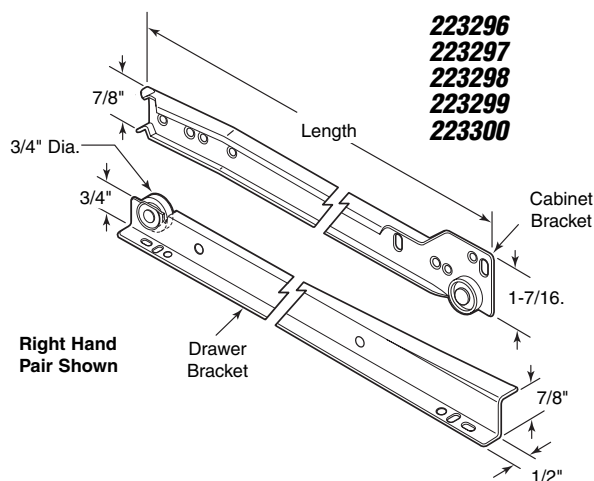
223299 (22" Length)

223300 (24" Length)

Drawer Slide Kit

Contents: 1 left hand pair; 1 right hand pair; 1 set of installation hardware.

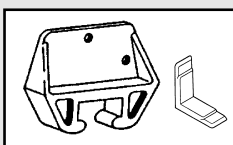
Description: Powder coated steel tracks with nylon rollers; positive stop in closed position; double stop in extended position locks drawer open; self-closing 2-1/2" from end; rollers are captive on one side to reduce side play; drawer lifts out for easy removal.



22486 (Carded)

CCSC-7156 (100 bulk)

CCBP-7156 (50 bulk)



Drawer Track Guide Kit

Contents: Carded- 1 guide; 2 side saddles; 1 set of installation fasteners.

Bulk- Guides only in display box.

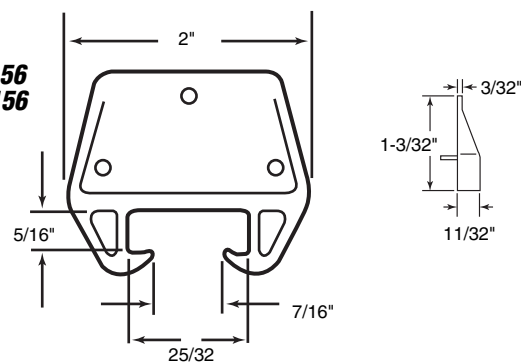
Description: Red polyethylene guide and white polyethylene side saddles; restores smooth operation of track mounted drawers.

Note: Fits a 9/32" x 3/4" track.

22486

CCSC-7156

CCBP-7156



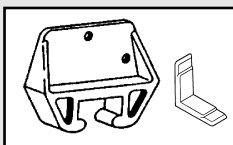
222019

Drawer Track Guide Kit

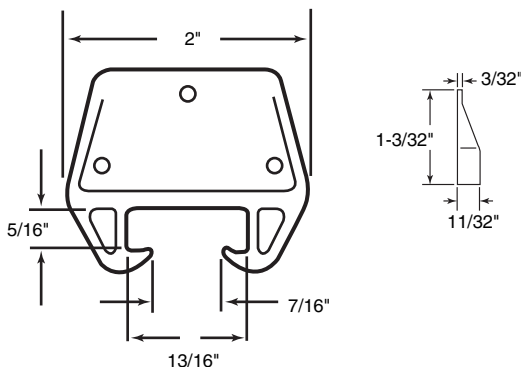
Contents: Carded- 1 guide; 2 side saddles; 1 set of installation fasteners.

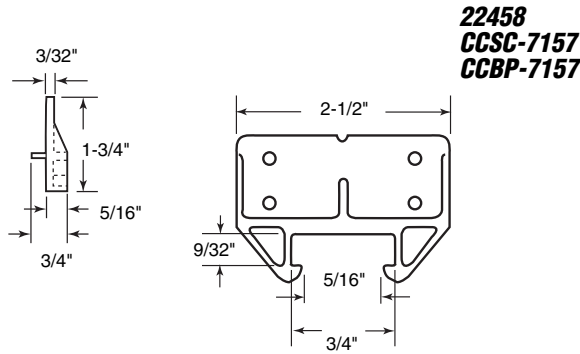
Description: White polyethylene guide with no back alignment tabs; white polyethylene side saddles; restores smooth operation of track mounted drawers.

Note: Fits a 9/32" x 3/4" track.

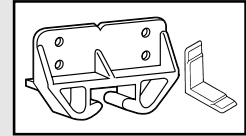


222019





22458 (Carded)
CCSC-7157 (100 bulk)
CCBP-7157 (50 bulk)



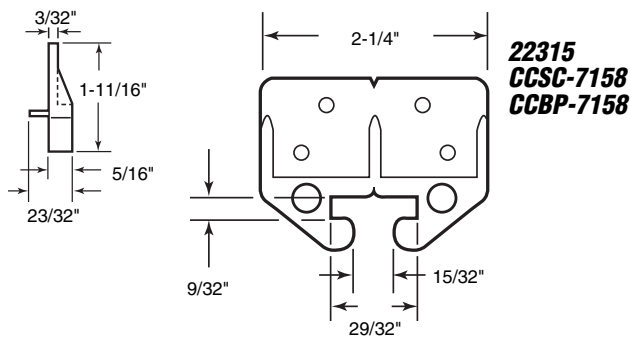
Drawer Track Guide Kit

Contents: Carded- 1 guide; 2 side saddles; 1 set of installation fasteners.

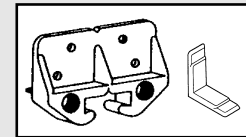
Bulk- Guides only in display box.

Description: Blue polyethylene guide and white polyethylene side saddles; restores smooth operation of track mounted drawers.

Note: Fits a 1/4" x 3/4" track.



22315 (Carded)
CCSC-7158 (100 bulk)
CCBP-7158 (50 bulk)



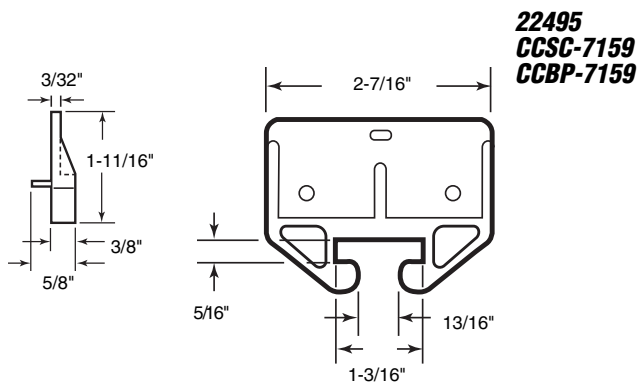
Drawer Track Guide Kit

Contents: Carded- 1 guide; 2 side saddles; 1 set of installation fasteners.

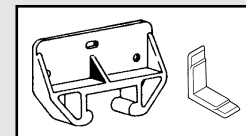
Bulk- Guides only in display box.

Description: Brown polyethylene guide and white polyethylene side saddles; restores smooth operation of track mounted drawers.

Note: Fits a 1/4" x 7/8" track.



22495 (Carded)
CCSC-7159 (100 bulk)
CCBP-7159 (50 bulk)



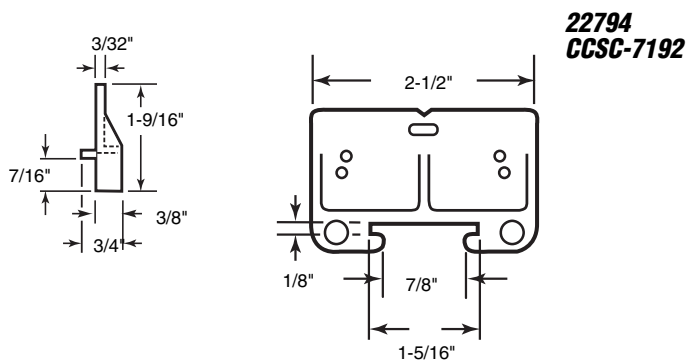
Drawer Track Guide Kit

Contents: Carded- 1 guide; 2 side saddles; 1 set of installation fasteners.

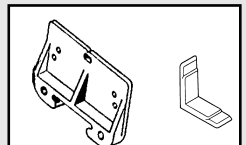
Bulk- Guides only in display box.

Description: Green polyethylene guide and white polyethylene side saddles; restores smooth operation of track mounted drawers.

Note: Fits a 9/32" x 1-1/8" track.



22794 (Carded)
CCSC-7192 (100 bulk)



Drawer Track Guide Kit

Contents: Carded - 1 guide; 2 side saddles; 1 set of installation fasteners.

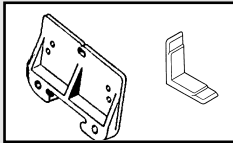
Bulk - Guides only in display box.

Description: White polyethylene guide and white polyethylene side saddles; restores smooth operation of track mounted drawers.

Note: Fits a 3/32" x 1-1/4" track.

Drawer and Cabinet Hardware

22793 (Carded)
CCSC-7168 (100 bulk)
CCBP-7168 (50 bulk)



Drawer Track Guide Kit

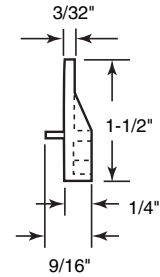
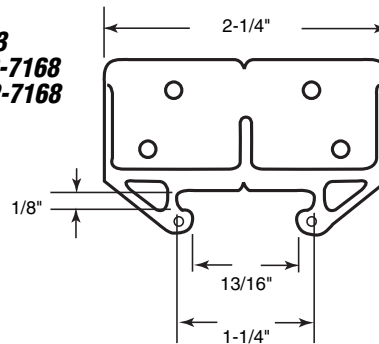
Contents: Carded - 1 guide; 2 side saddles; 1 set of installation fasteners.

Bulk - Guides only in display box.

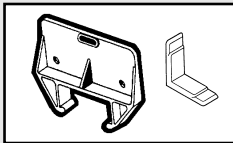
Description: White polyethylene guide and white polyethylene side saddles; restores smooth operation of track mounted drawers.

Note: Fits a 3/32" x 1-3/16" track.

22793
CCSC-7168
CCBP-7168



221904 (Carded)
CCSC-7161 (100 bulk)
CCBP-7161 (50 bulk)



Drawer Track Guide Kit

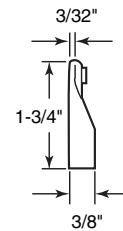
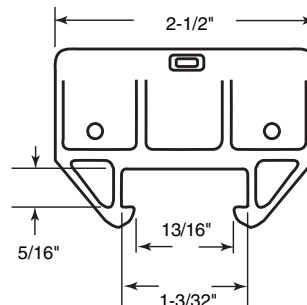
Contents: Carded - 1 guide; 2 side saddles; 1 set of installation fasteners.

Bulk - Guides only in display box.

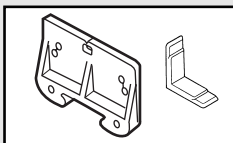
Description: Orange polyethylene guide and white polyethylene side saddles; restores smooth operation of track mounted drawers.

Note: Fits a 9/32" x 1-1/8" track.

221904
CCSC-7161
CCBP-7161



22625 (Carded)
CCSC-7162 (100 bulk)
CCBP-7162 (50 bulk)



Drawer Track Guide Kit

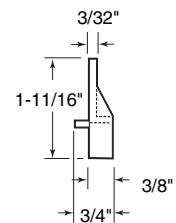
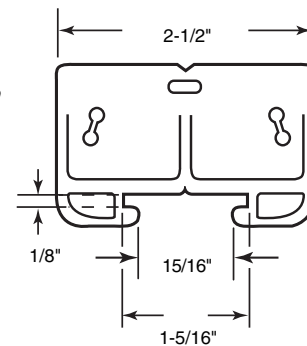
Contents: Carded - 1 guide; 2 side saddles; 1 set of installation fasteners.

Bulk - Guides only in display box.

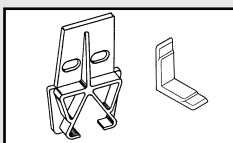
Description: White polyethylene guide and white polyethylene side saddles; restores smooth operation of track mounted drawers.

Note: Fits a 3/32" x 1-9/32" track.

22625
CCSC-7162
CCBP-7162



221889 (Carded)
CCSC-7170 (100 bulk)



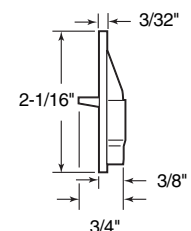
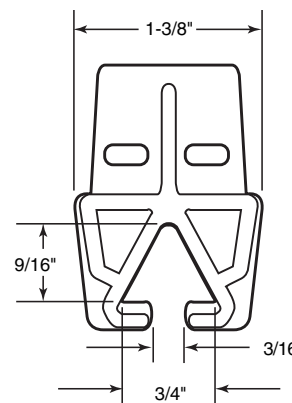
Drawer Track Guide Kit

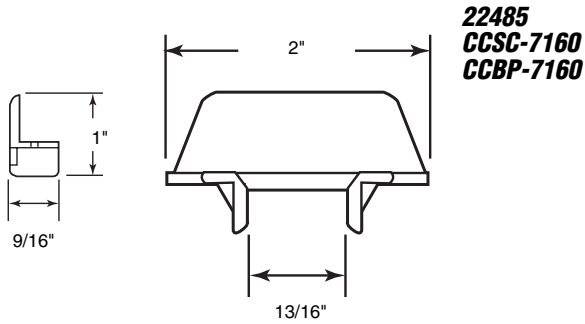
Contents: Carded - 1 guide; 2 side saddles; 1 set of installation fasteners.

Bulk - Guides only in display box.

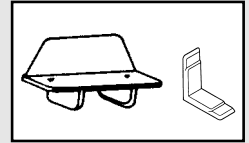
Description: White polyethylene guide and white polyethylene side saddles; restores smooth operation of track mounted drawers; frequently used on RV's and mobile homes.

221889
CCSC-7170





22485 (Carded)
CCSC-7160 (100 bulk)
CCBP-7160 (50 bulk)



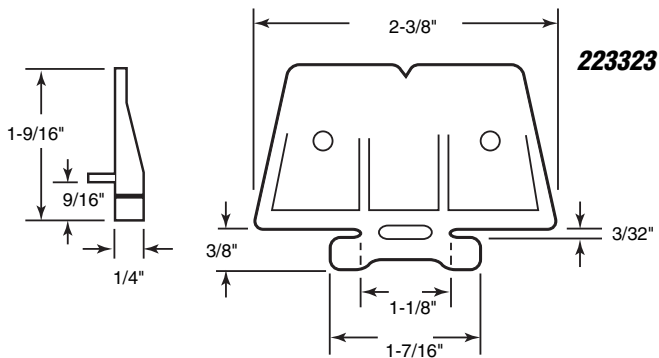
Drawer Track Guide Kit

Contents: Carded - 1 guide; 2 side saddles; 1 set of installation fasteners.

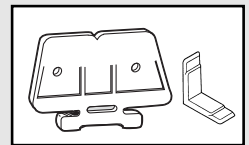
Bulk - Guides only in display box.

Description: White polyethylene guide and white polyethylene side saddles; restores smooth operation of track mounted drawers.

Note: Fits a 13/16" wide track.



223323

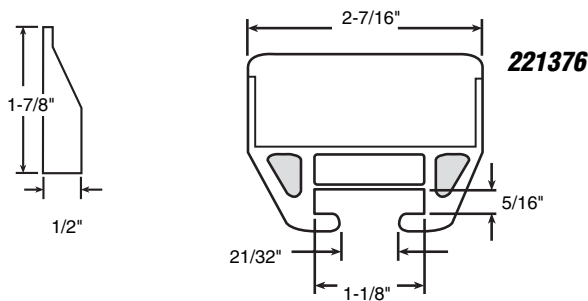


Drawer Track Guide Kit

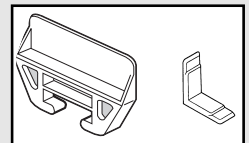
Contents: 1 guide; 2 side saddles; 1 set of installation fasteners.

Description: White polyethylene guide and white polyethylene side saddles; restores smooth operation of track mounted drawers.

Note: Fits a 1-1/2" track opening.



221376

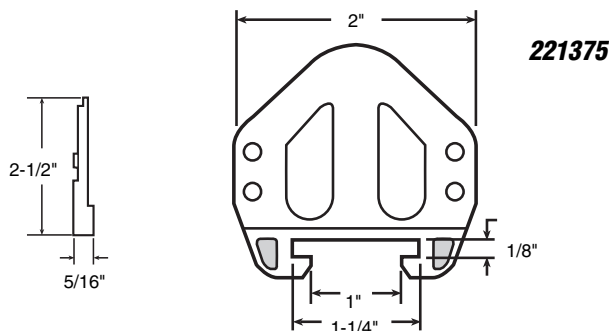


Drawer Track Guide Kit

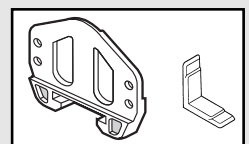
Contents: 1 guide; 2 side saddles; 1 set of installation fasteners.

Description: White polyethylene guide and white polyethylene side saddles; restores smooth operation of track mounted drawers.

Note: Fits a 9/32" x 1-3/32" wide track.



221375



Drawer Track Guide Kit

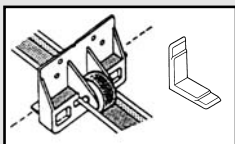
Contents: 1 guide; 2 side saddles; 1 set of installation fasteners.

Description: White polyethylene guide and white polyethylene side saddles; restores smooth operation of track mounted drawers.

Note: Fits a 3/32" x 1-7/32" wide track.

221519

Drawer Track Guide Kit

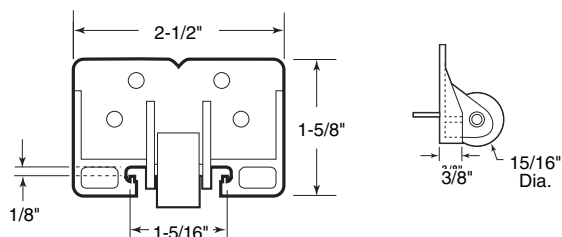


Contents: 1 roller assembly; 2 side saddles; 1 set of installation fasteners.

Description: White polyethylene guide with nylon roller; designed for use with rolled edge steel tracks.

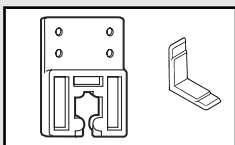
Note: Fits a 3/32" x 1-9/32" track.

221519



221405

Drawer Track Guide Kit



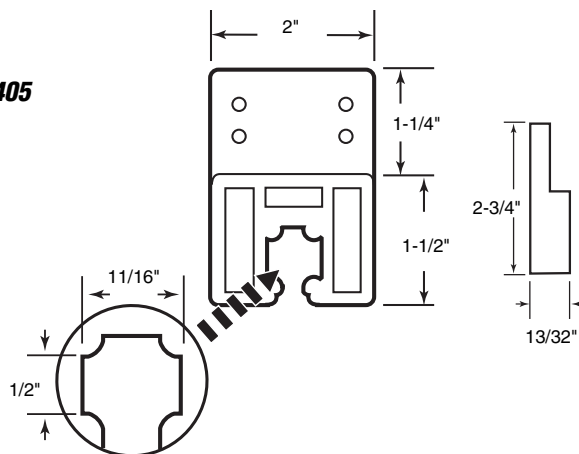
Contents: 1 guide; 2 side saddles; 1 set of installation fasteners.

Description: White polyethylene guide with polyethylene side saddles; restores smooth operation of track mounted drawers.

Note: Fits a 5/8" diameter track.

You may wish to stock these related parts: **223311**, **223312**, **223314**.

221405



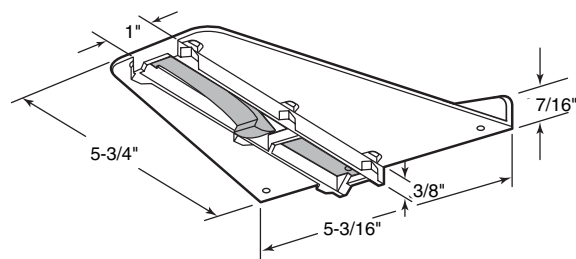
223319

Drawer Track Guide

Contents: 1 guide.

Description: White polyethylene; large bearing area for heavily loaded drawers; 6 point contact reduces lateral movement of drawer.

223319



223270 (Carded)

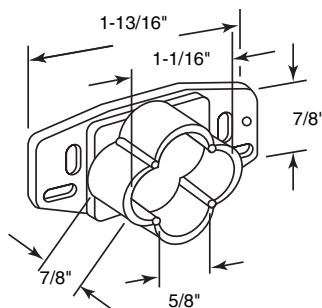
CCSC-7195 (100 bulk)

CCBP-7195 (50 bulk)

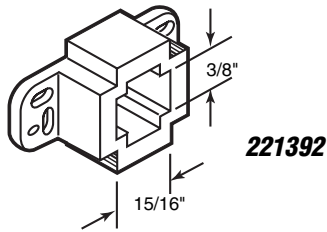
Drawer Track Back Plate

Contents: Carded - 1 backplate; 1 set of installation screws.
Bulk - Backplates only in display box.

Description: Polyethylene backplate can be mounted either horizontally or vertically; new style; used with Amerock tri-roller drawer slide track.

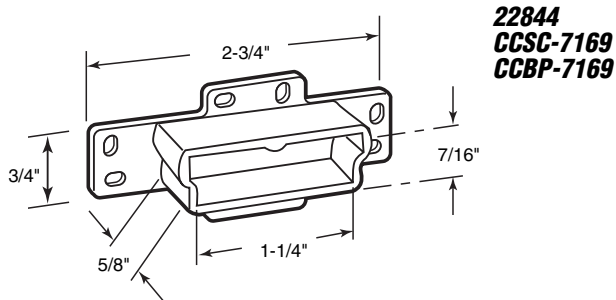
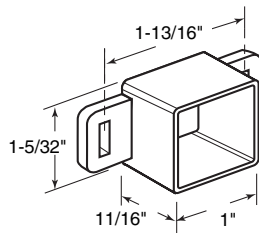


223270
CCSC-7195
CCBP-7195



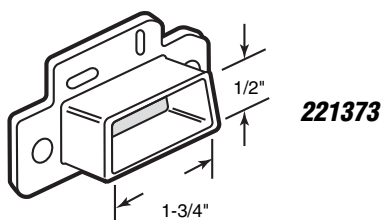
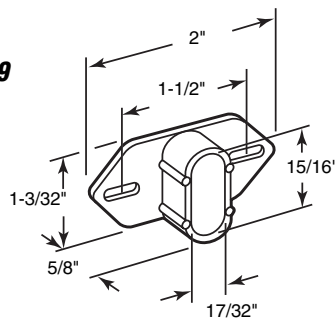
221392

221374
CCSC-7163
CCBP-7163



22844
CCSC-7169
CCBP-7169

221379



221373

221392

Drawer Track Back Plate

Contents: 1 backplate with installation screws.

Description: Polyethylene backplate can be mounted either horizontally or vertically; **old style**; used with **Amerock tri-roller drawer slide track**.

221374 (Carded)

CCSC-7163 (100 bulk)

CCBP-7163 (50 bulk)

Drawer Track Back Plate

Contents: Carded - 1 backplate; 1 set of installation screws.

Bulk - Backplates only in display box.

Description: Polyethylene; 1" square cavity allows self-alignment of center mounted drawer tracks.

22844 (Carded)

CCSC-7169 (100 bulk)

CCBP-7169 (50 bulk)

Drawer Track Back Plate

Contents: Carded-1 backplate; 1 set of installation screws.

Bulk- Backplates only in display box.

Description: White polyethylene backplates can be inverted for self-adjusting application; for use on rolled edge and other center mounted tracks.

You may wish to stock these related parts: **221590, 221406, 22793.**

221379

Drawer Track Back Plate

Contents: 1 backplate; 1 set of installation screws.

Description: White polyethylene; for use on standard "C" shaped and other center mounted tracks.

You may wish to stock these related parts: **223268, 221950, 223285.**

221373

Drawer Track Back Plate

Contents: 1 backplate; 1 set of installation screws.

Description: White polyethylene; for use on center mounted drawer tracks.

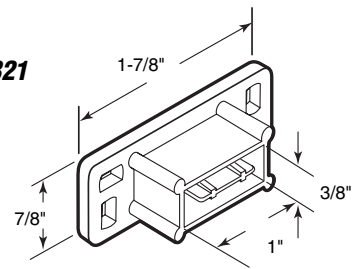
223321

Drawer Track Back Plate

Contents: 1 backplate; 1 set of installation screws.

Description: White polyethylene; for use on center mounted drawer tracks.

223321



223285

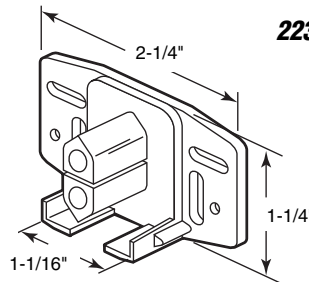
Drawer Track Back Plate

Contents: 1 backplate; 1 set of installation screws.

Description: White polyethylene; used on "C" style center mounted tracks.

You may wish to stock these related parts: **223268, 221950, 221379.**

223285



223268

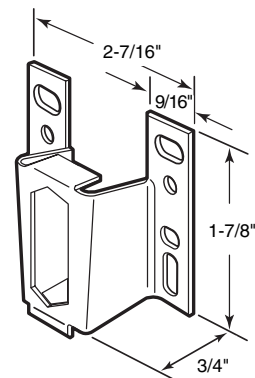
Drawer Track Back Plate

Contents: 1 backplate; 1 set of installation screws.

Description: Galvanized steel; used on monorail "C" style drawer tracks.

You may wish to stock these related parts: **221950, 221379, 22798.**

223268



223312

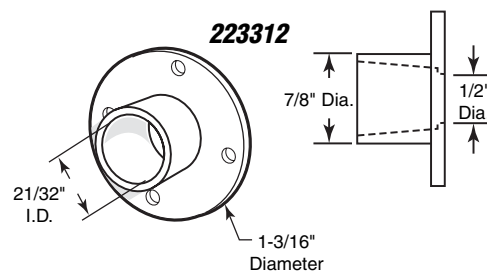
Drawer Track Back Plate

Contents: 1 backplate; 1 set of installation screws.

Description: Polyethylene; used with 5/8" cylindrical style center mounted drawer tracks.

You may wish to stock these related parts: **223311, 221405, 223314.**

223312



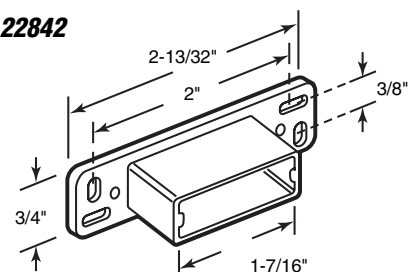
22842

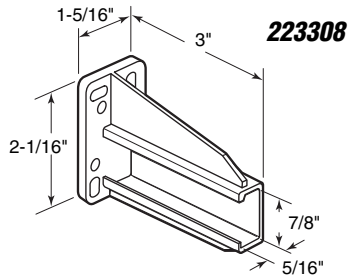
Drawer Track Back Plate

Contents: 1 backplate; 1 set of installation screws.

Description: White polyethylene; reversible left or right; fits several side mounted drawer tracks.

22842





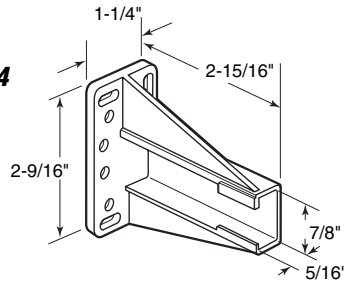
223308

Drawer Track Back Plate

Contents: 1 left hand bracket; 1 right hand bracket; 2 sets of installation screws.

Description: White nylon; used on **side mounted** drawer track systems.

221694



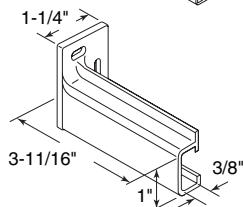
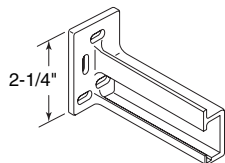
221694

Drawer Track Back Plate

Contents: 1 left hand bracket; 1 right hand bracket; 2 sets of installation screws.

Description: White nylon; 2-3/4" socket depth allows 2" of front to back adjustment of the rail; used on **side mounted** drawer track systems.

Note: Right side has a larger lip.



223322

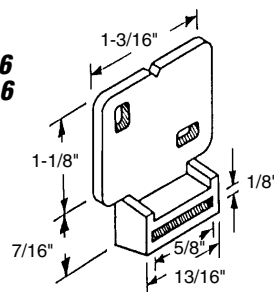
223322

Drawer Track Back Plate

Contents: 1 left hand bracket; 1 right hand bracket; 2 sets of installation screws.

Description: White nylon; socket depth allows for front to back adjustment of the rail; used on **side mounted** drawer track systems. **Note:** Old style (2-3/16" depth) replaced by deeper 3-11/16" by manufacturer.

221406 CCSC-7216 CCBP-7216



221406 (1 per card)

CCSC-7216 (100 bulk)

CCBP-7216 (50 bulk)

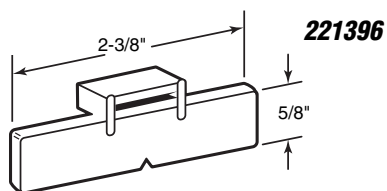
Drawer Track Front Plate

Contents: Carded- Front plate(s) with installation screws.

Bulk- Front plates only in display box.

Description: White nylon; supports front-end of drawer track; used on **rolled edge metal tracks** as shown in 221590.

You may wish to stock these related parts: **22793, 22844.**



221396

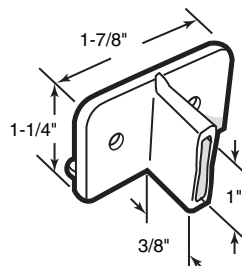
221396

Drawer Track Front Plate

Contents: 1 front plates; 1 sets of installation screws.

Description: White nylon; supports front end of drawer track; designed for use on tracks with flat front tab.

223311



223311

Drawer Track Front Plate

Contents: 1 front plate; 1 set of installation screws.

Description: White nylon; supports front end of drawer track.

You may wish to stock these related parts: **223312, 221405, 223314.**

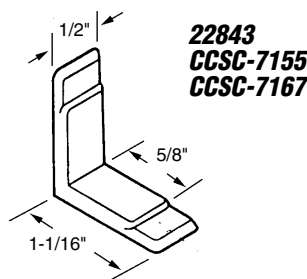
Drawer and Cabinet Hardware

22843 (Carded)
CCSC-7155 (Bulk)
CCSC-7167 (Poly-bagged)

Drawer Guide Side Saddles

Contents: **Carded:** 10 side saddles; 20 fasteners
Bulk: 500 side saddles only in display box.
Poly-bagged: 100 bags of 10 side saddles per bag in a display box.

Description: **White polyethylene** side saddles help to center drawer and restore smooth operation of track mounted drawers.

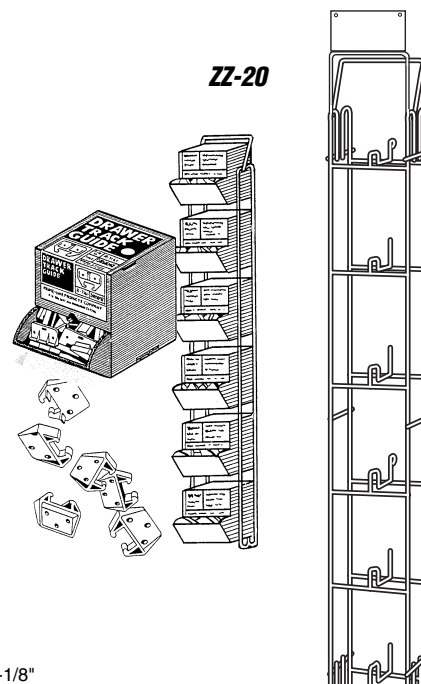


ZZ-20 Display Rack (Only)

*Call for
Availability*

Contents: 1 rack.

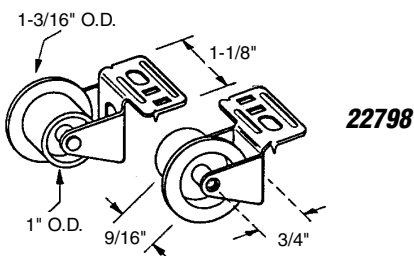
Description: **Plated steel** wire rack; used to display bulk guides in self-dispensing boxes; rack will accommodate (6) different products. Rack may be mounted to peg board or steel uprights; (pallet rack merchandising).



22798 Drawer Guide Roller Assembly

Contents: 1 left hand roller; 1 right hand roller; 1 set of installation fasteners.

Description: **Adjustable steel** mounting bracket with **nylon** roller; provides alignment and superior glide action for track mounted drawers.

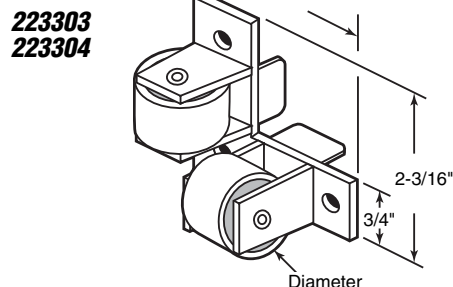


223303 (15/16" diameter rollers)
223304 (5/8" diameter rollers)

Drawer Guide Roller Assembly

Contents: 2 roller assemblies; 2 sets of installation screws.

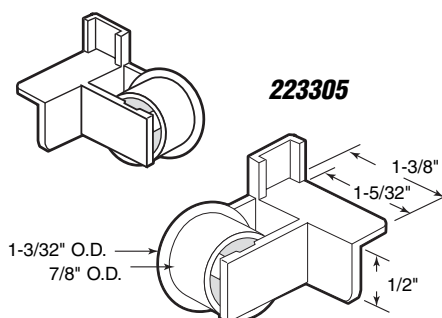
Description: **White nylon** bracket and roller; side roller helps prevent drag; bottom roller allows drawer to slide easily.

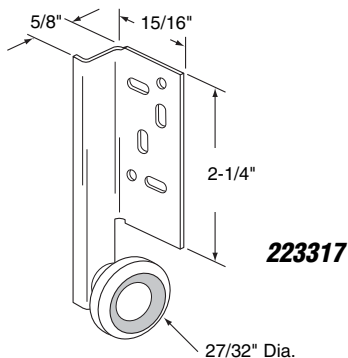
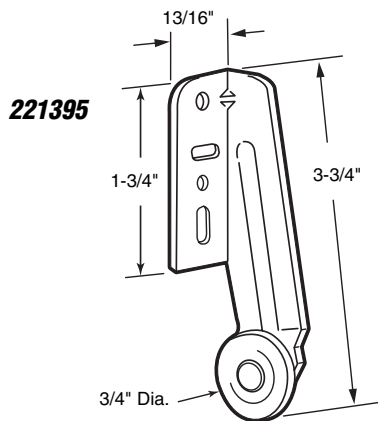
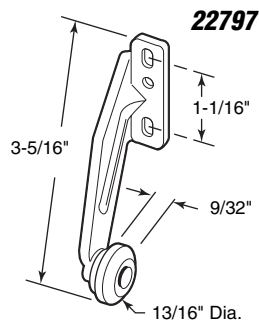
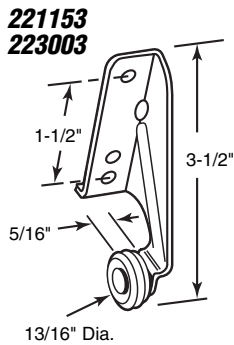
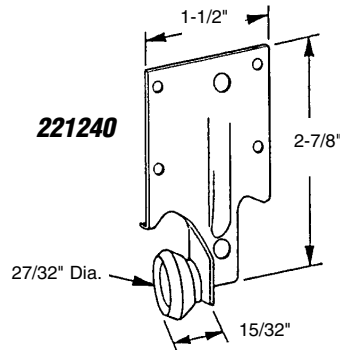
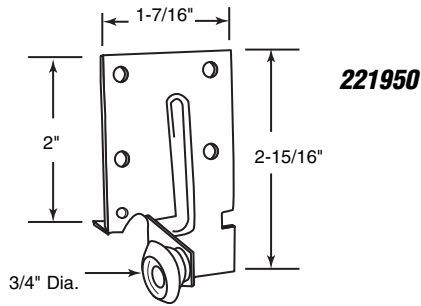


223305 Drawer Guide Roller Assembly

Contents: 1 left hand bracket; 1 right hand bracket; 1 set of installation fasteners.

Description: **White nylon** bracket and roller; helps to align and restore smooth operation of track mounted drawers.





221950

Drawer Track Roller

Contents: 1 roller assembly; 1 set of installation screws.

Description: Steel bracket; convex nylon roller; mounts on rear of drawer; used on "old style" *Grace* drawer slide system.

221240

Drawer Track Roller

Contents: 1 roller assembly; 1 set of installation screws.

Description: Steel bracket; convex nylon roller; mounts on rear of drawer; used as center roller for monorail drawer slide systems.

221153 (1 Roller - left hand)
223003 (2 Rollers - left hand)
22797 (1 Roller - right hand)

Drawer Track Roller

Contents: Roller assembly; installation screws.

Description: Steel bracket; convex nylon roller; mounts on rear of drawer; used as center roller for monorail drawer slide systems.

Note: Hand determined as viewed from rear of drawer.

221395

Drawer Track Roller

Contents: 1 roller assembly; 1 set of installation screws.

Description: Steel bracket; convex nylon roller; mounts on rear of drawer; used as center roller for monorail drawer slide systems.

223317

Drawer Track Roller

Contents: 1 roller assembly; 1 set of installation screws.

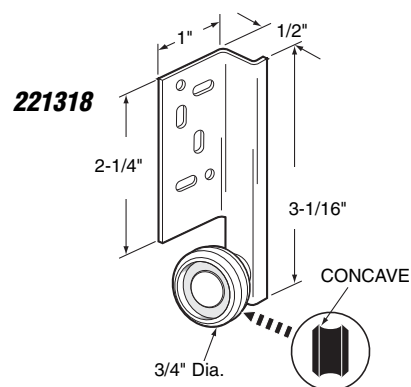
Description: Steel bracket; nylon roller; mounts on rear of drawer; used as center roller for monorail drawer slide systems.

221318

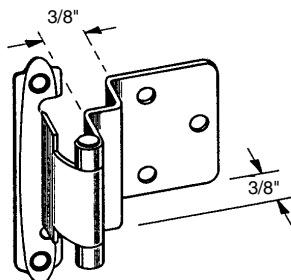
Drawer Track Roller

Contents: 1 roller assembly; 1 set of installation screws.

Description: Steel bracket; **concave nylon** roller; mounts on rear of drawer; used as center roller for monorail drawer slide systems.



221318



**CCEP-7203
CCEP-7134
CCEP-7204
CCEP-7205**

CCEP-7203 (Brass finish)

CCEP-7134 (Antique brass finish)

CCEP-7204 (Chrome finish)

CCEP-7205 (White finish)

Cabinet Door Hinge (Self-closing)

Contents: 1 pair of hinges; 2 felt pads; 2 sets of installation screws.

Description: Semi-concealed **steel** hinge; spring loaded; used on **3/8 inch** inset cabinet doors.

Standard pack: 15 pairs (polybagged) in display box.

CCEP-7200 (Brass finish)

CCEP-7135 (Antique brass finish)

CCEP-7201 (Chrome finish)

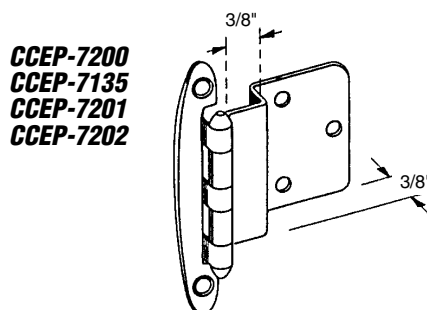
CCEP-7202 (White finish)

Cabinet Door Hinge (Non-self closing)

Contents: 1 pair of hinges; 2 felt pads; 2 sets of installation screws.

Description: Semi-concealed **steel** hinge; used on **3/8 inch** inset cabinet doors.

Standard pack: 20 pairs (polybagged) in display box.



**CCEP-7200
CCEP-7135
CCEP-7201
CCEP-7202**

CCEP-7206 (Brass finish)

CCEP-7136 (Antique brass finish)

CCEP-7207 (Chrome finish)

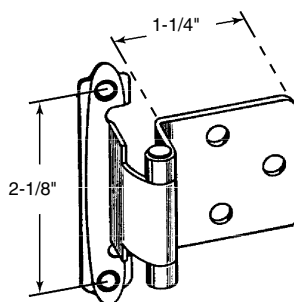
CCEP-7208 (White finish)

Cabinet Door Hinge (Self closing)

Contents: 1 pair of hinges; 2 felt pads; 2 sets of installation screws.

Description: Semi-concealed **steel** hinge; spring loaded; used on **overlay** cabinet doors.

Standard pack: 15 pairs (polybagged) in display box.



**CCEP-7206
CCEP-7136
CCEP-7207
CCEP-7208**

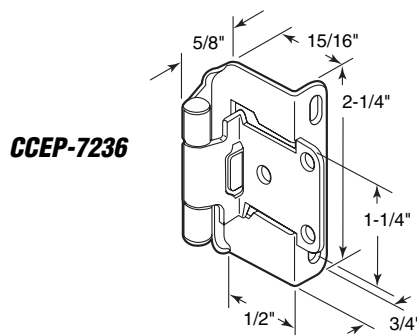
CCEP-7236 (Antique brass finish)

Cabinet Door Hinge (Self-closing)

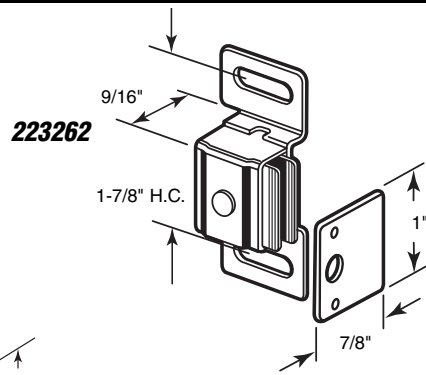
Contents: 1 pair of hinges; 2 felt pads; 2 sets of installation screws.

Description: Semi-concealed **steel** hinge; spring loaded; wrap around design; **vertically adjustable**; used on **overlay** doors.

Standard pack: 20 pairs (polybagged) in display box.



CCEP-7236



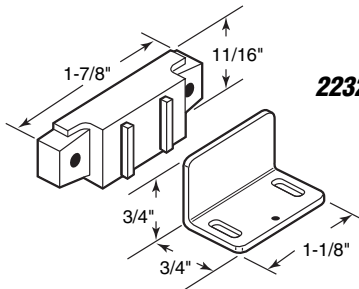
223262

223262

Magnetic Catch

Contents: 2 catches; 2 strike plates; 2 sets of installation screws.

Description: Zinc plated adjustable steel housing; steel strike plate; large magnet for extra holding power.



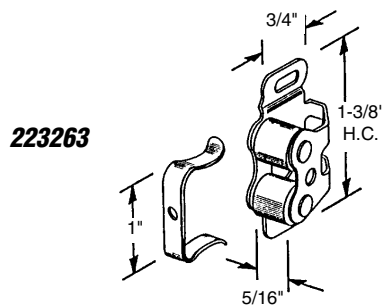
223273

223273

Magnetic Catch

Contents: 2 catches; 2 strike plates; 2 sets of installation screws.

Description: Heavy duty brown plastic housing; dual steel inserts; adjustable steel strike plate; frequently used in RV and mobile home cabinets.



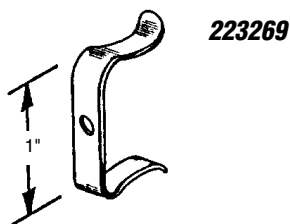
223263

223263

Dual Roller Catch

Contents: 3 catches; 3 clips; 3 sets of installation screws.

Description: Dual nylon rollers; plated steel housing and spring steel clip; used on cabinet, closet and compartment doors.



223269

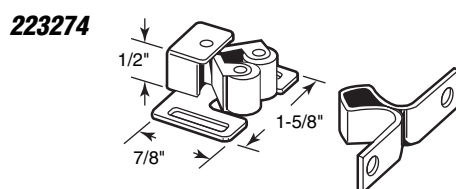
223269

Dual Roller Clip

Contents: 6 clips; 6 installation screws.

Description: Chrome plated spring steel clip.

Note: Replacement clip for Part No. 223263.



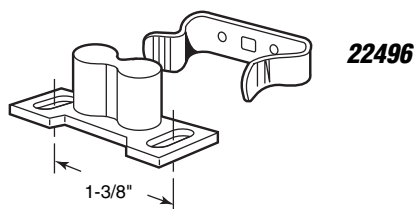
223274

223274 (Bronze finish)

Dual Roller Catch

Contents: 2 catches; 2 keepers; 2 sets of installation screws.

Description: Dual nylon rollers; adjustable steel housing; steel keeper; heavy duty spring loaded latching.



22496

22496

Friction Catch

Contents: 1 catch; 1 clip; 1 set of installation screws.

Description: Double barrel white nylon catch; brass finish spring steel clip; adjustable; used on cabinet and compartment doors.

*Call for
Availability*

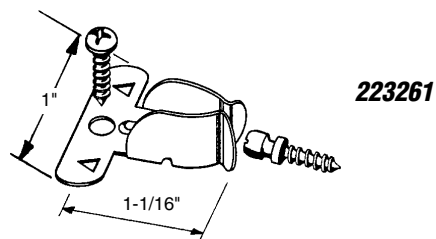
Drawer and Cabinet Hardware

223261

Friction Catch

Contents: 3 catches; 3 ball head screws; 3 installation screws.

Description: Chrome plated spring steel catch; used on cabinet and compartment doors.



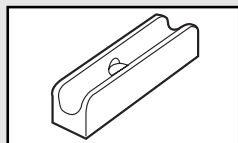
22791 (1/4" wide x 1" long)

22795 (3/8" wide x 1-3/8" long)

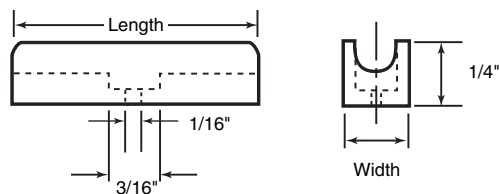
Door Glides

Contents: 2 glides.

Description: Nylon glides install on bottom of sliding cabinet doors; used in conjunction with plastic or wood track.



22791
22795



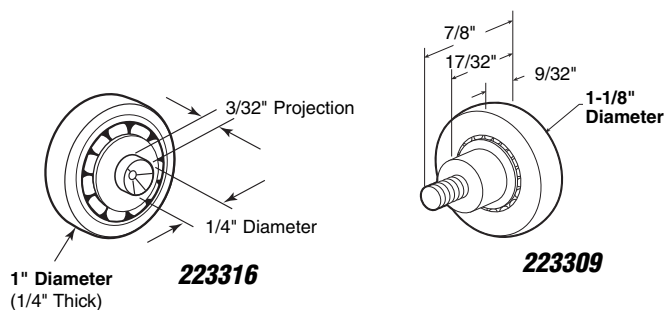
223309 (1/4" - 20 threaded steel axle)

223316 (Rivet style axle)

Drawer Slide Roller

Contents: 2 rollers.

Description: White nylon roller; steel ball bearing roller; replacement roller for metal drawer slide systems; frequently used on file cabinet drawer tracks.

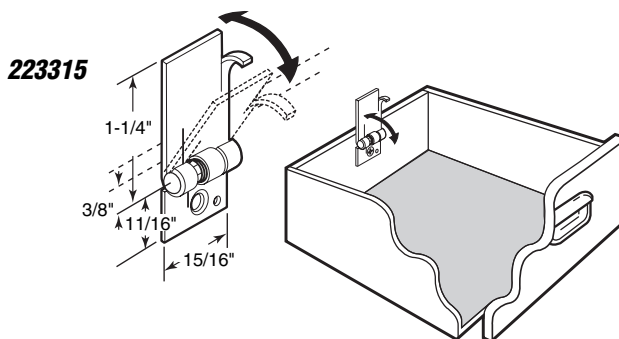


223315

Drawer Stop

Contents: 1 stop with installation screw and nail.

Description: Zinc plated steel hinge; spring loaded; prevents drawer from accidentally falling out of cabinet upon opening.



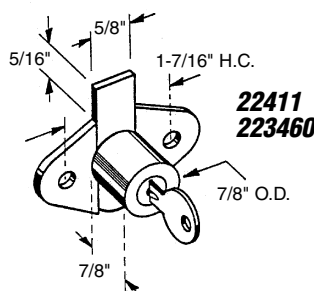
22411 (Brass finish)

223460 (Dull nickel finish)

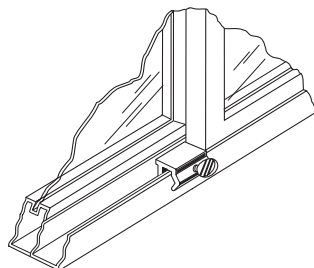
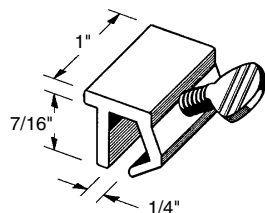
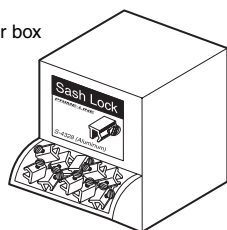
Drawer & Cabinet Lock

Contents: 1 lock assembly; 2 keys; 1 set of installation screws.

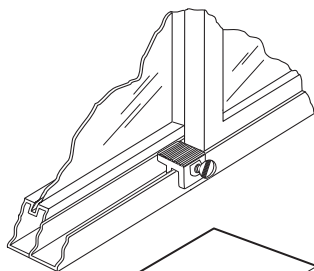
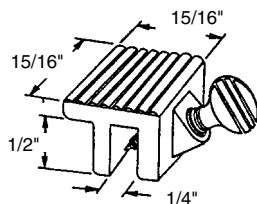
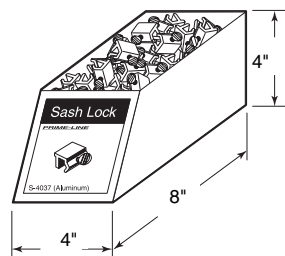
Description: Diecast housing; keyed locking unit; requires a 7/8" hole for installation.



Dispenser box



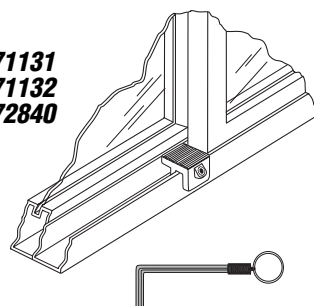
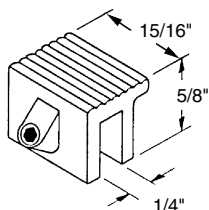
Cut-case merchandiser



Dispenser box



171131
171132
172840



Sash Locks

Finish (Part Number)			Qty.	Qty.
Mill	Black	White	Carded	Dispenser Box
171700	171700-B	171700-W	2	—
172830	173348	173347	4	—
S-4328	S-4329	S-4367	—	200/bulk
S-4495	S-4496	S-4497	2/bag	75 bags

Description: Extruded aluminum housing; steel thumbscrew; securely locks window in closed or ventilating position; easy to install.

S-4037 (Aluminum finish)

S-4075 (Black finish)

S-4198 (White finish)

Sash Locks

Contents: 100 locks bulk in a cut-case box.

Description: Extruded aluminum housing; steel thumbscrew; securely locks window in closed or ventilating position; easy to install.

Sash Locks

Finish (Part Number)			Qty.	Qty.
Mill	Black	White	Carded	Dispenser Box
17271	17271-B	17271-W	2	—
S-4334	S-4335	S-4470	—	200/bulk
S-4492	S-4493	S-4494	2/bag	75 bags

Description: Heavy duty zinc diecast housing with steel thumbscrew; securely locks window in closed or ventilating position; easy to install.

171131 (Aluminum finish)

171132 (Black finish)

172840 (White finish)

Sash Locks (Tamper-proof)

Contents: 2 locks.

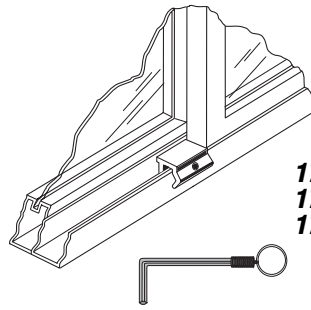
Description: Heavy duty zinc diecast housing with tamperproof Allen head security screw and wrench; securely locks window in closed or ventilating position; prevents accidental opening by children; easy to install.

- 172797** (Aluminum finish)
- 172798** (Black finish)
- 173465** (White finish)

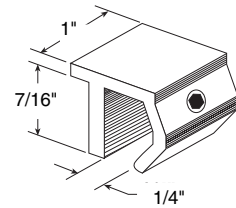
Sash Lock

Contents: 2 locks.

Description: Extruded aluminum housing with tamperproof Allen head security screw and wrench; securely locks window in closed or ventilating position; prevents accidental opening by children; easy to install.



172797
172798
173465

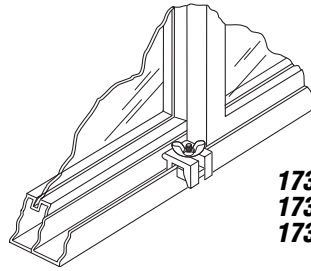


- 173265** (Aluminum finish)
- 173266** (Black finish)
- 173267** (White finish)

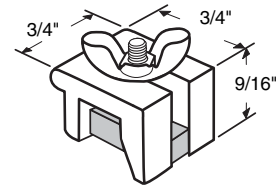
No-mar Lock

Contents: 2 locks.

Description: Extruded aluminum with no-mar vinyl insert to protect track flange from scratching; fits wide and narrow type tracks; securely locks window in closed or ventilating position; easy to install.



173265
173266
173267

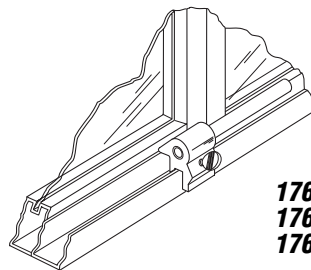


- 17600-A** (Aluminum finish)
- 17600-B** (Black finish)
- 17600-W** (White finish)

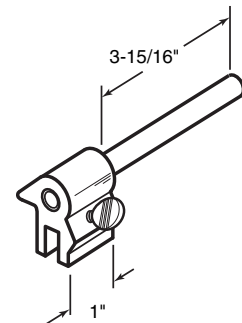
Thumbscrew Bar Lock

Contents: 1 lock.

Description: Extruded aluminum; with reversible anti-lift out bar; securely locks window in closed or ventilating position; easy to install.



17600-A
17600-B
17600-W

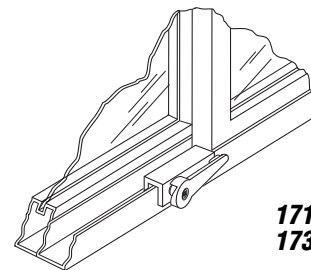


- 171809** (Aluminum finish)
- 173304** (White finish)

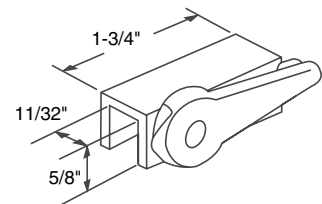
Cam Action Lock

Contents: 2 locks.

Description: Extruded aluminum housing with cam action lock; securely locks window in closed or ventilating position; **no tools needed** to install; excellent added security when staying in a hotel or motel.



171809
173304

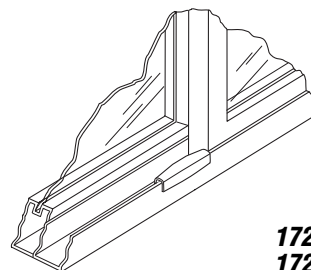


- 17219** (Aluminum finish)
- 17219-B** (Black finish)
- 17219-W** (White finish)

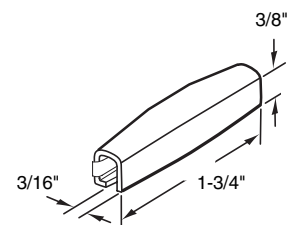
Snap-on Vent Lock

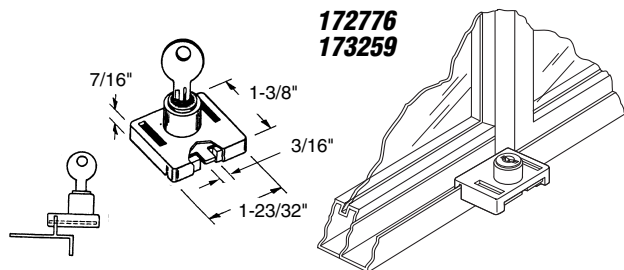
Contents: 2 locks.

Description: Plated and painted steel lock housing; unique "snap-on" device; **no tools required**; excellent for ventilated locking.



17219
17219-B
17219-W



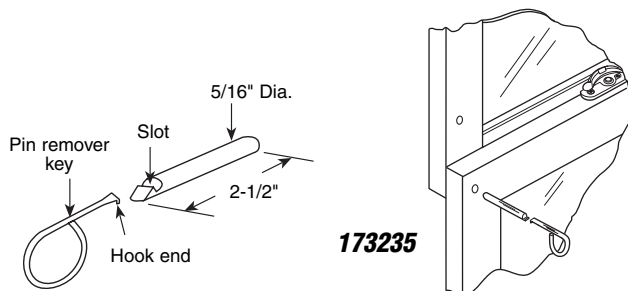


172776 (Aluminum finish)
173259 (White finish)

Keyed Lock

Contents: 1 lock & 2 keys.

Description: Painted diecast housing; securely locks window in closed or ventilating position; easy to install.

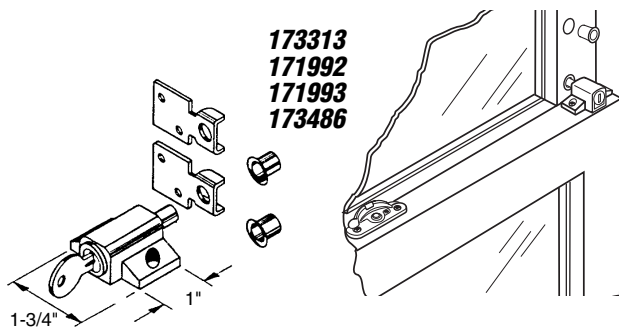


173235 (Brass finish)

Wood Sash Pins

Contents: 8 pins & 4 keys.

Description: Plated steel pins lock window in closed or ventilating position; pin removal key is needed to unlock; recommended for wood sash; easy to install.

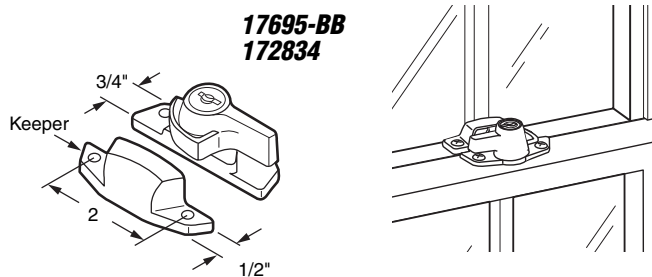


173313 (Brass finish)
171992 (Aluminum finish)
171993 (Black finish)
173486 (White finish)

Keyed Sash Lock

Contents: 1 lock with 2 strikes; 2 ferrules; 2 keys & installation screws.

Description: Painted or plated housing; hardened steel bolt provides push button locking in closed or ventilating position; unlocks only with key; heavy duty diecast construction; recommended for wood sash; easy to install.

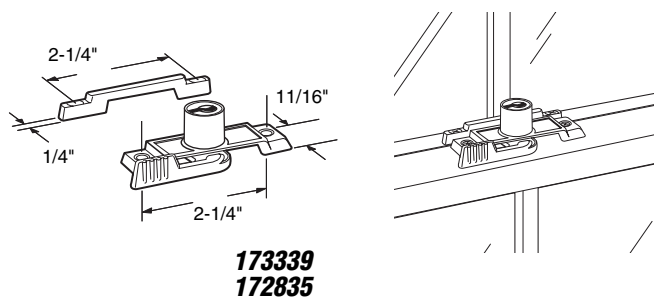


17695-BB (Brass finish)
172834 (White finish)

Keyed Sash Lock

Contents: 1 latch assembly; 1 keeper; 2 keys & installation screws.

Description: Plated or painted diecast sash lock and keeper; for aluminum, vinyl or wood double hung windows; unlocks only with key.



173339 (Brass finish)
172835 (White finish)

Slim-line Keyed Sash Lock

Contents: 1 lock and keeper; 2 keys & installation screws.

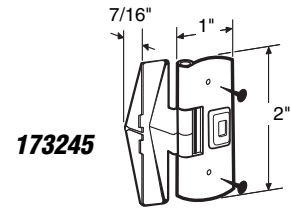
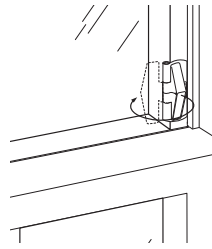
Description: Plated or painted diecast sash lock and keeper; readily adapts to narrow styles; key locks for additional security.

173245 (Brass finish)

Wood Window Flip Lock

Contents: 2 locks & installation fasteners.

Description: Flip lock mounts on vertical track; stops window in vent position; wedge flips out of the way to allow opening; **plated steel** lock assembly.

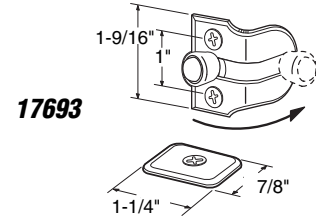
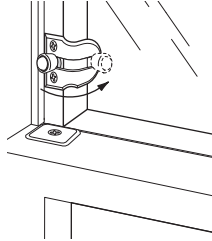


17693 (Brass finish)

Wood Window Vent Lock

Contents: 2 lock assemblies; 2 strikeplates & installation screws.

Description: **Brass plated steel** sash locks mount onto the edge of the upper window; sliding stud stops opening at a desired location; allows ventilation but prevents entry; easy to install.



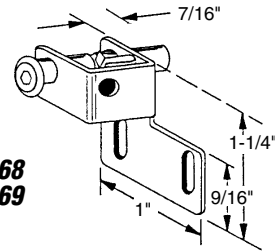
172768 (Aluminum finish)

172769 (Black finish)

"Push-Bolt" Lock

Contents: 1 lock; 2 installation screws.

Description: Install on bottom or side rail or horizontal or vertical sliding aluminum windows; **stamped steel** housing with **hardened steel bolt**; easy to install.

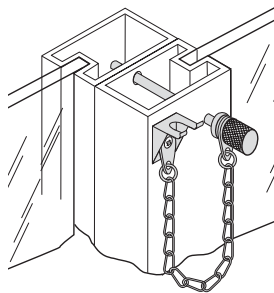
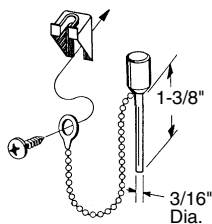


172768
172769

Some items in this section are also available in our new Defender Security Line. This new, distinctively packaged, line is ideally suited for "stand-alone" merchandising

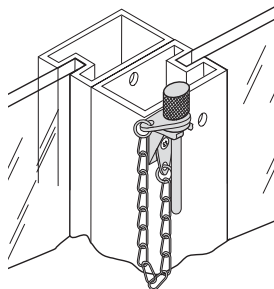
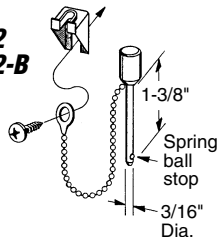


17589
17589-B



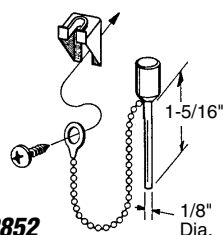
Locked

17612
17612-B



Unlocked

172852



17589 (Aluminum finish)

17589-B (Black finish)

Security Lock Pin

Contents: 1 pin with chain; 1 holder; 1 installation screw.

Description: Case hardened steel pin installs thru moving panel and fixed rail; helps prevent prying or lifting of window; easy to install; fits most windows.

17612 (Aluminum finish)

17612-B (Black finish)

Slip-Proof Lock Pin

Contents: 1 pin with chain; 1 holder; 1 installation screw.

Description: Case hardened steel pin; spring loaded detent ball on end, helps prevent pin from being jarred out of place.

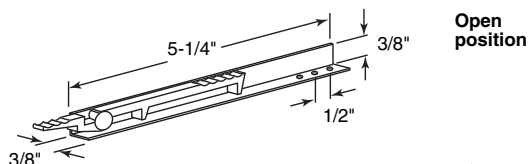
172852 (Aluminum finish)

Security Lock Pin

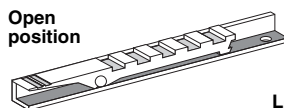
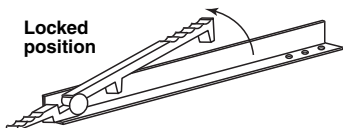
Contents: 1 pin with chain; 1 holder; 1 installation screw.

Description: Case hardened steel pin features a 1/8" pin shaft; will fit casement locking handles and narrow rail windows.

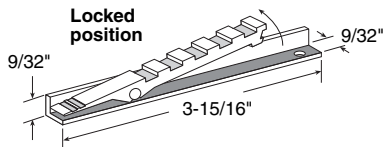
You may wish to stock these related parts: **15301, 171829.**



17196



172826



17196

"Win-Dor" Pop-Up Lock

Contents: 1 lock; 1 set of installation screws.

Description: Stamped aluminum lock and housing mounts into top or bottom track channel; requires only 3/8" clearance; provides hidden security.

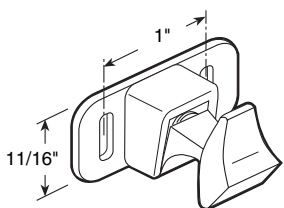
You may wish to stock these related parts: **172770.**

172826

"Mini" Pop-Up Lock

Contents: 1 lock; 1 set of installation screws.

Description: Extruded aluminum lock and housing mounts into top or bottom channel to provide security.



172415

172415 (White)

Latch

Contents: 1 latch; 2 installation screws.

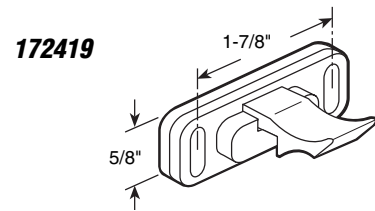
Description: Plastic latch assembly; spring loaded; for horizontal sliding windows.

172419 (White)

Latch

Contents: 1 latch; 2 installation screws.

Description: Nylon latch assembly; spring loaded; for horizontal sliding windows.

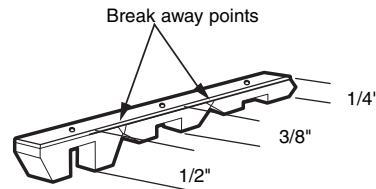


17694

Anti-Liftout Blocks (Diecast)

Contents: 2 break-off bars per package with screws.

Description: Prevents liftout of sliding panels when in either the locked or ventilating position; unique stepdown design to provide thickness desired; locate correct size blocks to underside of header and use drill-point screws to install.



17694

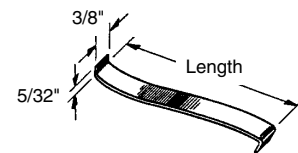
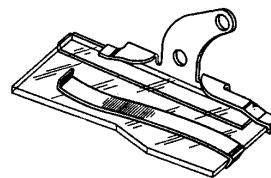
17674 (4" glass - 3-1/16" long)

17942 (4-1/2" glass - 3-7/16" long)

Louver Window Security Clip

Contents: 20 clips.

Description: High tension spring steel clips help prevent removal of glass; no tools required; simply slip under glass as shown; 2 sizes available; fits *International* louvre strip hardware.



17674
17942

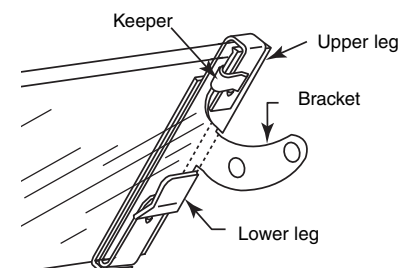
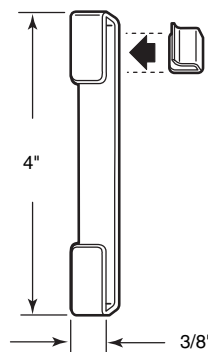
17931 (4" glass)

Jalousie Window Security Clip

Contents: 6 clips; 6 keepers.

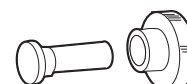
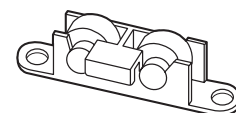
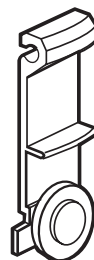
Description: Durable stainless steel two-piece clips prevent removal of glass louvers from outside, and discourage forced entry; easy installation; **ideal for coastal areas.**

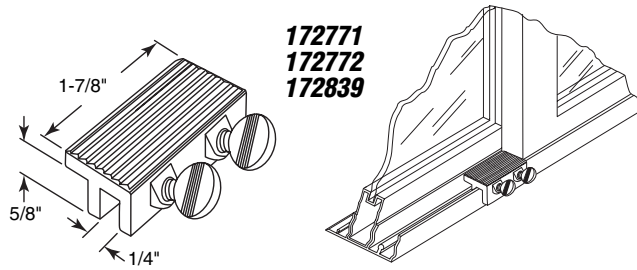
NEW: Stainless Steel Clip.



17931

**See Our Selection
of Sliding Window Rollers**





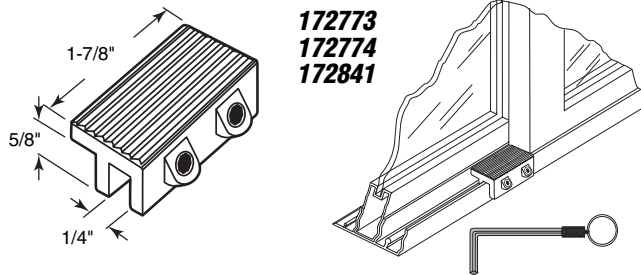
172771 (Aluminum finish)
172772 (Black finish)
172839 (White finish)

172771 (Aluminum finish)
172772 (Black finish)
172839 (White finish)

Double Thumbscrew Lock

Contents: 1 lock.

Description: Heavy duty zinc diecast housing with two steel thumbscrews; additional gripping power securely locks door in closed or ventilating position; easy to install.



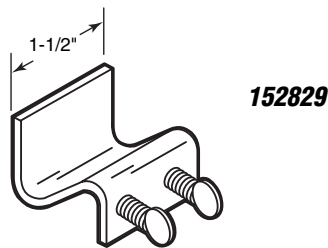
172773 (Aluminum finish)
172774 (Black finish)
172841 (White finish)

172773 (Aluminum finish)
172774 (Black finish)
172841 (White finish)

Tamperproof Lock

Contents: 1 lock & 1 Allen wrench.

Description: Heavy duty zinc diecast housing with two tamperproof Allen head security screws; additional gripping power securely locks door in closed or ventilating position; prevents accidental opening by children; easy to install.



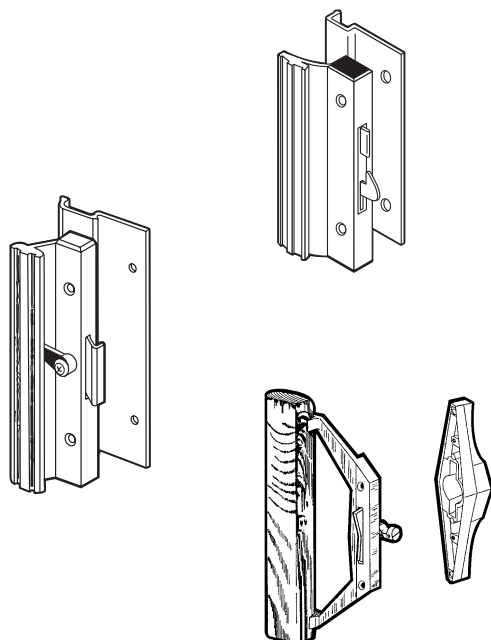
152829

152829 (Zinc plated)

Security Lock

Contents: 1 lock.

Description: Zinc plated stamped steel lock with 2 steel thumbscrews; secures door in locked position.



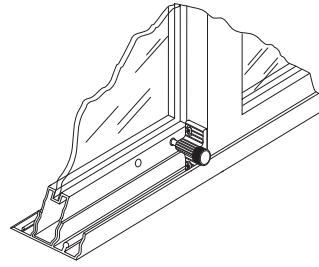
**See Our
 Patio Door Handle
 section for the most
 complete selection of
 product to be found anywhere**

- 1599** (Aluminum finish - carded)
- 1599-B** (Black finish - carded)
- 1599-W** (White finish - carded)
- CCEP-4002** (Aluminum finish - bulk)
- CCEP-4003** (Black finish - bulk)
- CCEP-4354** (White finish - bulk)

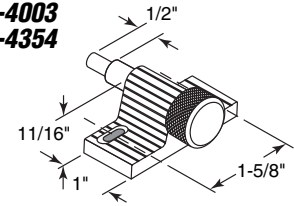
Twist-In Lock

Contents: *Carded:* 1 lock and installation screws.
Bulk: 50 locks in a display box.

Description: Zinc plated or painted Zamac cast housing with twist-in action, **aluminum bolt**; securely locks door in closed or ventilating position; prevents prying or lifting of door.



- 1599**
- 1599-B**
- 1599-W**
- CCEP-4002**
- CCEP-4003**
- CCEP-4354**

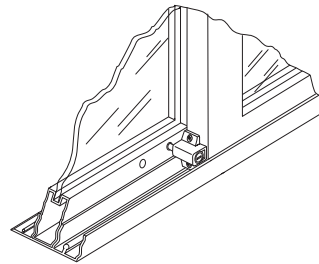


- 153483** (Aluminum finish)
- 153484** (Black finish)
- 153485** (White finish)

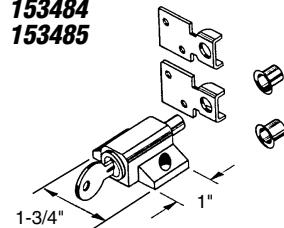
Push-In Keyed Lock

Contents: 1 lock with 2 strikes; 2 ferrules; 2 keys & installation screws.

Description: Painted or plated diecast housing with hardened steel bolt for push button locking; unlocks only with key; prevents prying or lifting of door; heavy duty construction.



- 153483**
- 153484**
- 153485**

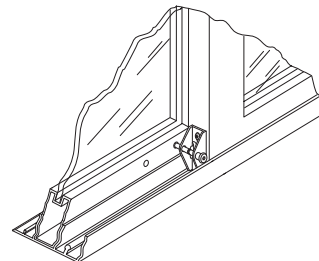


- 15269** (Aluminum finish)
- 15269-B** (Black finish)
- 15269-W** (White finish)

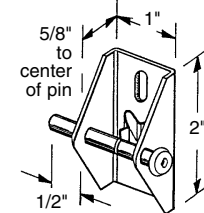
Push/Pull Lock

Contents: 1 lock & 2 installation screws.

Description: Painted or plated heavy gauge steel housing with hardened steel pin; securely locks door in closed or ventilating position; two position push/pull action prevents accidental lockout; also prevents prying or lifting of door.



- 15269**
- 15269-B**
- 15269-W**

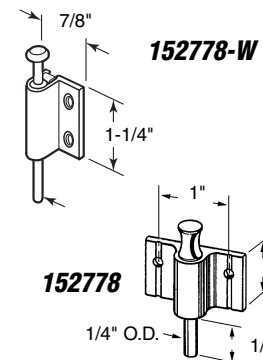
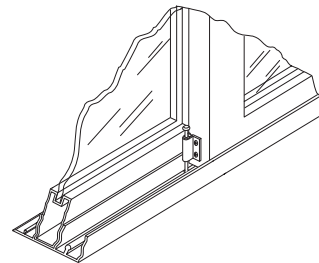


- 152778** (Aluminum finish)
- 152778-W** (White finish)

Push/Pull Lock

Contents: 1 lock & 2 installation screws.

Description: Painted diecast housing with steel bolt; securely locks door in closed or ventilating position.

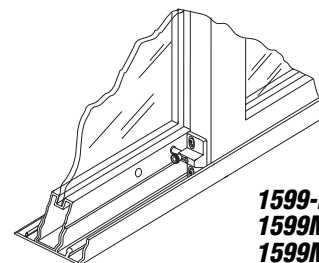


- 1599-ML** (Aluminum finish)
- 1599ML-B** (Bronze finish)
- 1599ML-W** (White finish)

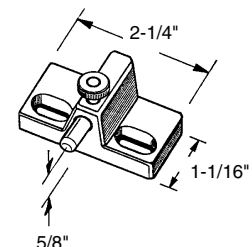
Slide Bolt Lock

Contents: 1 lock & 2 installation screws.

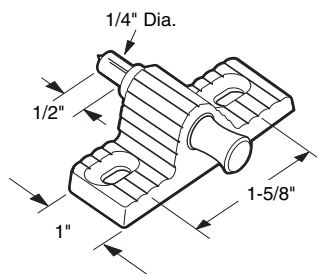
Description: Painted or plated diecast housing with case hardened steel bolt; securely locks door in closed or ventilating position; prevents prying or lifting of door.



- 1599-ML**
- 1599ML-B**
- 1599ML-W**



15100
15100-B

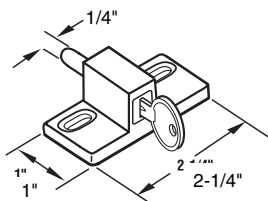


15100 (Aluminum finish)
15100-B (Black finish)

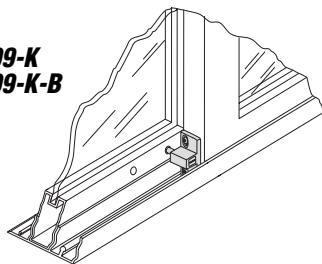
Push-Pull Lock

Contents: 1 lock; 2 installation screws.

Description: Painted or plated zinc diecast housing with steel bolt; locks door in closed or ventilating position; helps prevent prying or lifting of door.



1599-K
1599-K-B

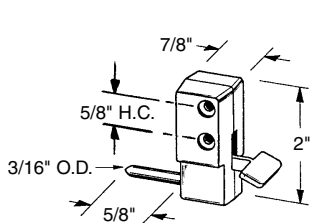


1599-K (Aluminum finish)
1599-K-B (Black finish)

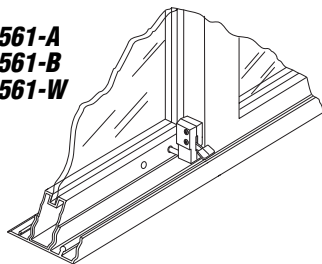
Push-In Keyed Lock

Contents: 1 lock & 2 installation screws.

Description: Painted or plated diecast housing with steel bolt for push button locking; unlocks only with key; prevents prying or lifting of door.



15561-A
15561-B
15561-W

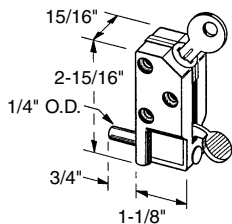


15561-A (Aluminum finish)
15561-B (Black finish)
15561-W (White finish)

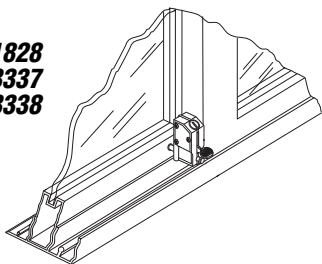
Step-On Lock

Contents: 1 lock & 2 installation screws.

Description: Painted diecast housing with hardened steel bolt; securely locks door in closed or ventilating position; convenient foot operation; easy to install.



151828
153337
153338

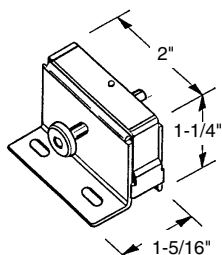


151828 (Aluminum finish)
153337 (Black finish)
153338 (White finish)

Step-On Keyed Lock

Contents: 1 lock with 2 keys & 1 set of installation screws.

Description: Painted diecast housing with hardened steel bolt; securely locks door in closed or ventilating position; convenient foot operation of bolt; locks and unlocks with key.



15414
15414-B

15414 (Aluminum finish)
15414-B (Black finish)

Push-Bolt Lock

Contents: 1 lock; 2 installation screws.

Description: Painted or plated push bolt; push-in bolt to lock; step on top to unlock; heavy gauge stamped steel; fits most patio door configurations.

Patio Door

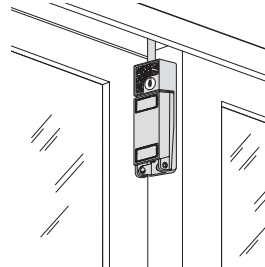
U-9997 (Aluminum finish - new Defender card)

U-9919 (White finish - new Defender card)

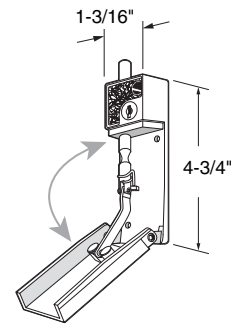
Keyed Bolt Lock

Contents: 1 locking assembly & installation screws.

Description: Painted diecast assembly; throw bolt may be manually locked or key locked; prevents forced entry; may be locked in ventilating position.



U-9997
U-9919



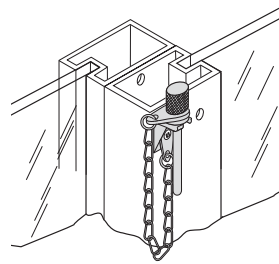
15611 (Chrome finish)

15611-B (Antique nickel finish)

Window Pin Lock

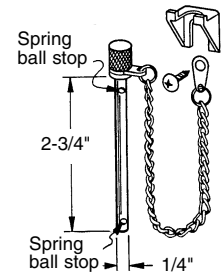
Contents: 1 pin with chain; 1 holder; installation screws.

Description: Plated, case hardened steel pin stores in holder when unlocked; securely locks window in closed or ventilating position; prevents prying or lifting of door; **spring loaded steel ball** prevents pin from being jarred loose from the door.



Unlocked

15611
15611-B



15301 (Zinc plated - carded)

15301-B (Black finish - carded)

CCEP-4011 (Zinc plated - bulk)

CCEP-4148 (Black finish - bulk)

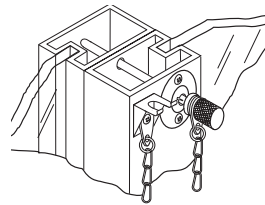
Pin Lock with Retaining Ring

Contents: 1 pin with chain; retaining cap; holder and installation screws.

Carded: 1 per card.

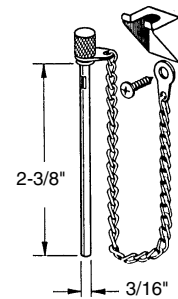
Bulk: 100 per cut case carton (1 per bag).

Description: Plated, case hardened steel pin locks in retaining ring when engaged; stores in holder when unlocked; securely locks door in closed or ventilating position; prevents prying or lifting of door.



Locked

15301
15301-B
CCEP-4011
CCEP-4148

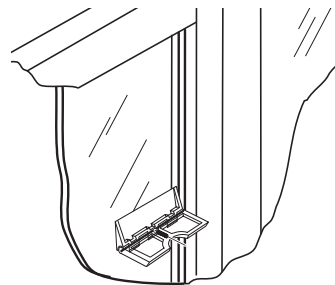


152784 (Clear)

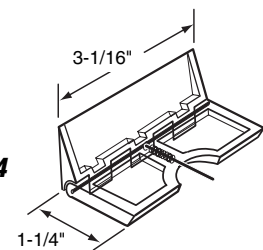
Glass Surface Lock

Contents: 2 locks.

Description: Clear lucite; two piece hinged assembly with spring loaded plunger lock; **clear adhesive backing**; securely locks door in closed or ventilating position; no tools needed to install; inconspicuous when installed.



152784



152842 (13/16" width)

U-9846 (1-1/8" width - new Defender card)

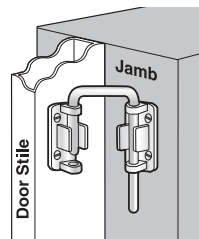
152844 (1-7/16" width)

U-9847 (2-1/8" width - new Defender card)

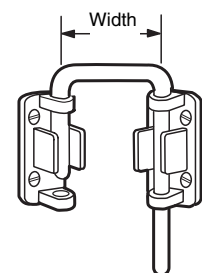
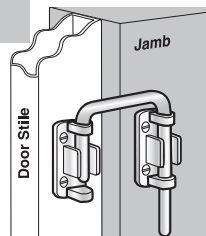
Loop Lock

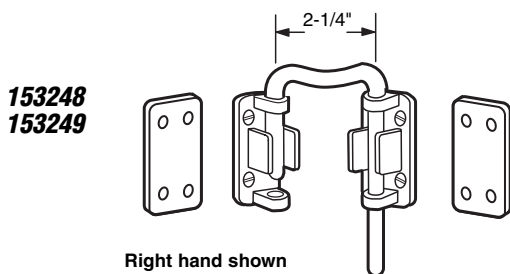
Contents: Loop lock rod with bracket attached; keeper and installation screws.

Description: Nickel plated, hardened steel locking rod with diecast bracket and keeper; secures door to jamb; four sizes allow flexibility of installation.



152842
U-9846
152844
U-9847



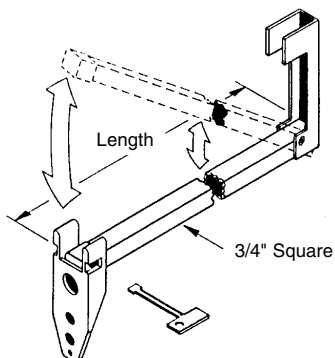


153248 (Left hand)
153249 (Right hand)

Curved Loop Lock

Contents: 1 loop lock rod with slide bracket attached; 1 keeper; 2—1/8" thick shims; 1 set of installation screws.

Description: Nickel plated, hardened steel lock rod with diecast bracket and keeper; secures door to jamb; unique curved rod design offers flexibility on various installations.



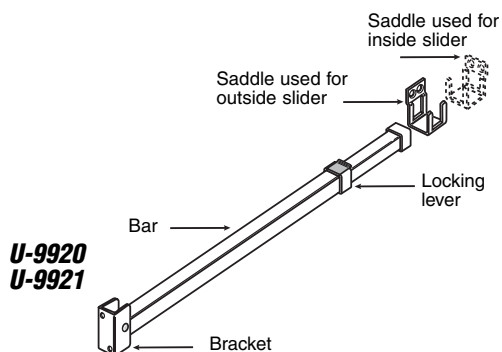
Security Bar Lock (Poly bag and header)

Finish (Part Number)

Bar Length	Finish (Part Number)		
	Clear Anodized	Bronze	White
3 foot	S-4337	S-4338	S-4339
4 foot	S-4013	S-4154	S-4220
5 foot	S-4221	S-4222	S-4223
6 foot	S-4224	S-4225	S-4226

Contents: 1 bar assembly; 1 locking saddle; 1 key; installation screws.

Description: Clear anodized and painted extruded aluminum bar with stamped steel hinged retainer for open position; plastic retainer with key for locked position.

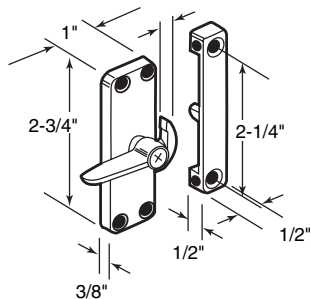


U-9920 (Aluminum finish - new Defender card)
U-9921 (White finish - new Defender card)

Security Bar Lock

Contents: 1 bar assembly; 1 locking saddle & installation screws.

Description: Clear anodized and painted aluminum bar; telescopic adjustability accommodates 28" to 48" wide inside and outside sliding patio doors; no cutting required; easy to install.



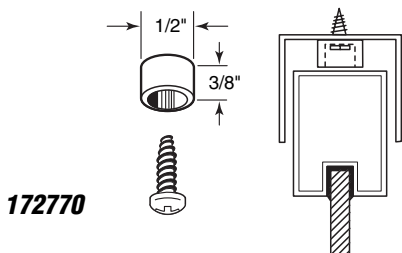
152787
152788

152787 (Aluminum finish)
152788 (Black finish)

Security Latch

Contents: 1 latch; 1 keeper; 1 set of installation screws.

Description: Heavy zinc diecasting; face or side mount strike; mounts onto patio door rail to act as a secondary security lock.



172770

172770

"Anti-Lift" Patio Door Bumpers

Contents: 9 vinyl bumpers; 9 installation screws.

Description: Helps prevent lifting of sliding glass door from frame; reduces the gap at the top of the frame so door cannot be removed when closed.

Entry Door

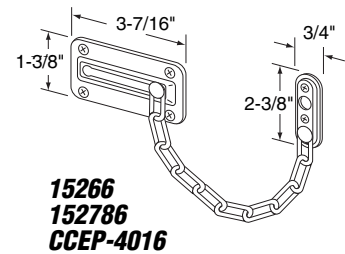
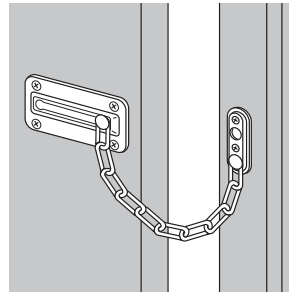
- 15266** (Brass finish)
- 152786** (Chrome finish)
- CCEP-4016** (Brass finish - bulk 75 pieces - cut case carton)

Chain Door Guard

Contents: 1 chain lock with keeper & installation screws.

Description: **Plated steel** keeper, slide lock and chain; secures door while allowing viewing and ventilation; easy to install.

You may wish to stock these related parts: **17219-B**.



**15266
152786
CCEP-4016**

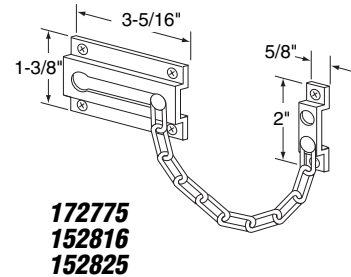
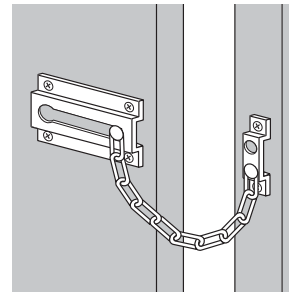
- 172775** (Polished brass)
- 152816** (Antique brass)
- 152825** (Chrome plated)

Chain Door Guard

Contents: 1 chain lock with keeper & installation screws.

Description: **Solid brass** keeper and slide lock with **plated steel** chain; secures door while allowing viewing and ventilation; easy to install.

You may wish to stock these related parts: **15683**.



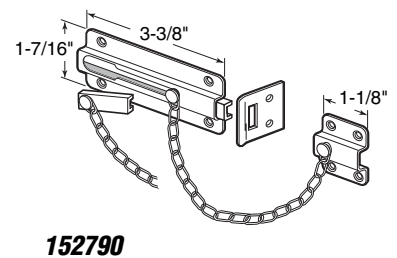
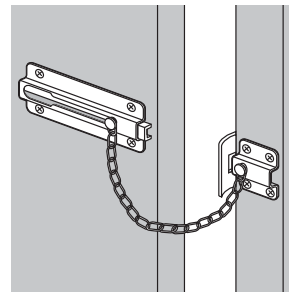
**172775
152816
152825**

- 152790** (Polished brass)

Chain Lock Deadbolt (Heavy duty)

Contents: 1 chain lock with keeper; 1 set of installation screws.

Description: **Heavy duty** slide lock and keeper are made of **solid extruded brass**; **plated steel** chain; provides tamper-proof security; easy to install; slide bolt secures door in locked position.



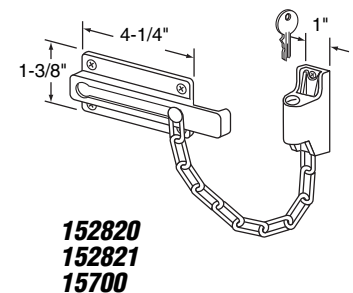
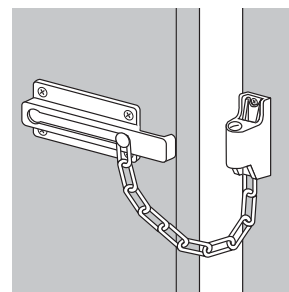
152790

- 152820** (Brass finish)
- 152821** (Antique brass finish)
- 15700** (Chrome finish)

Chain Door Guard (Keyed)

Contents: 1 chain lock; 2 keys; 1 set of installation screws.

Description: **Plated steel** chain and **diecast** lock and keeper secure door while allowing viewing and ventilation; can be unlocked with key from outside or inside; bolt slides into keyed mechanism to lock or stores on slide bolt.



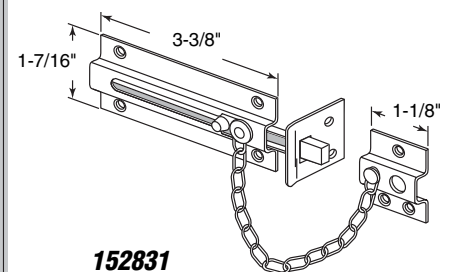
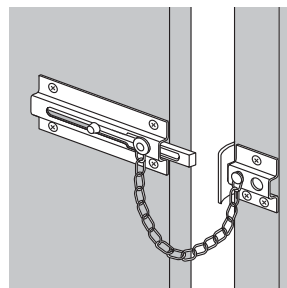
**152820
152821
15700**

- 152831** (Brass finish)

Chain Door Guard (With bolt)

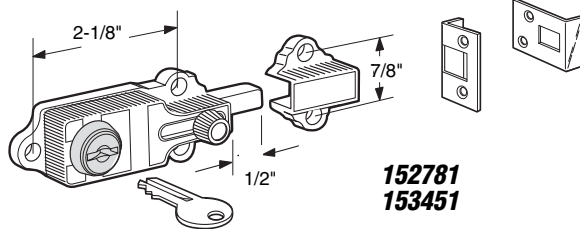
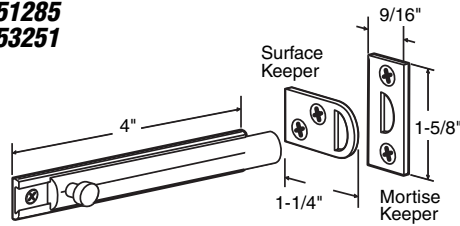
Contents: 1 chain lock with keeper; 1 set of installation screws.

Description: **Plated steel** keeper, slide lock and chain with **diecast** throw bolt; use of chain secures door while allowing viewing and ventilation; sliding bolt secures closed door and allows unlocking from inside only.

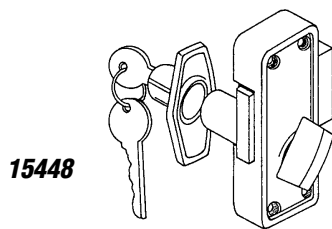


152831

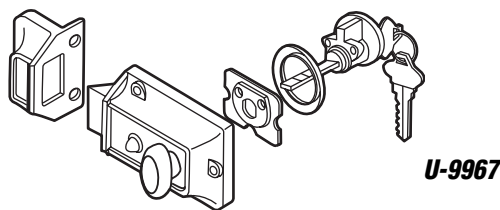
151285
153251



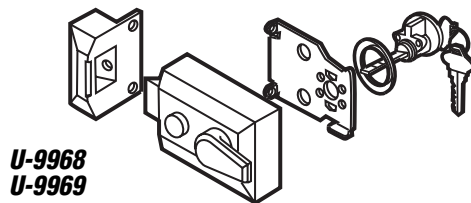
152781
153451



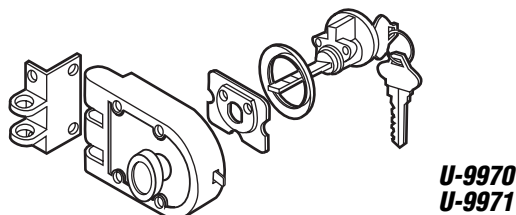
15448



U-9967



U-9968
U-9969



U-9970
U-9971

151285 (4" length - polished brass)

153251 (6" length - polished brass)

Surface Bolt

Contents: 1 slide bolt; 2 keepers & installation screws.

Description: Solid brass slide bolt surface mounts to face of door; two keepers allow for surface or mortise frame installation.

152781 (Brass finish)

153451 (Chrome finish)

Keyed Deadbolt Lock

Contents: 1 lock; 3 keepers & installation screws.

Description: Plated diecast lock is key locked from inside; 3 keepers offer flexible mounting for both inswing and outswing doors.

15448 (Chrome finish)

Keyed Surface Lock

Contents: 1 lock assembly; 2 keys.

Description: Plated diecast surface mounted deadbolt lock with key cylinder; fits 7/8" to 1-3/8" thick door; thumbturn activates deadbolt from inside.

U-9967 (Brass finish - new Defender card)

Night Latch & Locking Cylinder

Contents: 1 night latch with locking cylinder and trim ring; 2 keys; 1 mounting plate; 1 keeper and installation screws.

Description: Brass painted diecast locking unit and keeper; hold open feature; spring latch for automatic locking; five pin tumbler cylinder; 1-1/4" bore.

U-9968 (Polished brass finish - new Defender card)

U-9969 (White finish - new Defender card)

Night Latch & Locking Cylinder

Contents: 1 night latch with locking cylinder and trim ring; 2 keys; 1 mounting plate; 1 keeper and installation screws.

Description: Plated and painted diecast locking unit and keeper; contemporary design; hold open feature; spring latch for automatic locking; five pin tumbler cylinder; 1-1/4" bore.

U-9970 (Brass finish - new Defender card)

U-9971 (White finish - new Defender card)

Jimmy-Resistant Deadlock (Single cylinder)

Contents: 1 locking unit with locking cylinder and trim ring; 1 mounting plate; 1 keeper & installation screws.

Description: Painted diecast locking unit and keeper; locks door to jamb to prevent forced entry; 5-pin tumbler cylinder; requires a 1-1/4" hole; includes tamper-proof shutter guard, which insures lock integrity from outside manipulation.

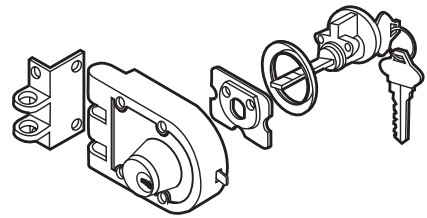
- U-9972** (Brass finish - new Defender card)
- U-9973** (White finish - new Defender card)
- U-9974** (Polished brass & black finish - new Defender card)

Jimmy-Resistant Deadlock (Double cylinder)

Contents: 1 locking unit with locking cylinder and trim ring; 1 mounting plate; 1 keeper & installation screws.

Description: Painted and plated diecast locking unit and strike; locks door to jamb to prevent forced entry; double cylinder unit is ideal for doors with glass panes or when located next to a glass side light; 5-pin tumbler cylinder requires a 1-1/4" hole; includes tamper-proof shutter guard, which insures lock integrity from outside manipulation.

U-9972
U-9973
U-9974

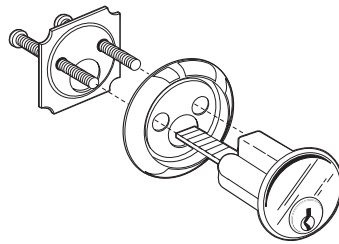


153523 (Brass finish)

Rim Cylinder Lock (Kwikset keyway)

Contents: 1 key cylinder with trim ring and 2 keys; 1 mounting plate and 2 screws.

Description: Heavy duty zinc diecast housing with brass face and 5 pin tumbler lock.



153523

15586 (Aluminum finish - keyed)

152777 (Aluminum finish)

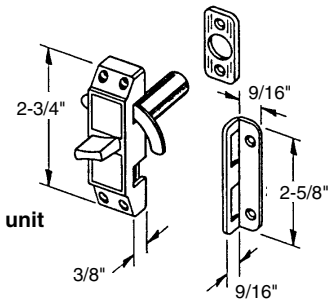
Deadbolt Loop Lock

Contents: 1 lock assembly; 1 strikeplate; 1 set of installation screws.

Description: Plated, hardened steel bolt, loops through keeper to prevent lift-out or jimmying of doors; housing is heavy zinc diecasting; thumbturn activates locking from outside.

15586
152777

Keyed locking unit



151284-B (Brass finish)

152782 (Antique brass finish)

151284 (Chrome finish)

152783 (Brushed chrome finish)

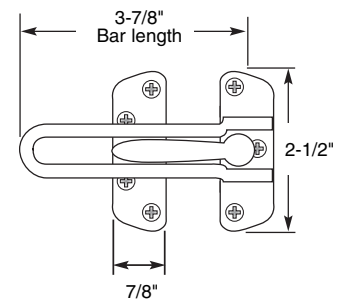
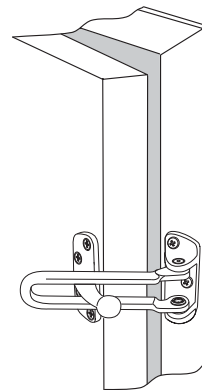
153306 (White finish)

153307 (Satin brass finish)

Swing Bar Lock

Contents: 1 swing loop keeper; 1 bar lock & installation screws.

Description: Plated or painted heavy zinc diecasting; secures door while allowing 2" of viewing or ventilation; easy to install.

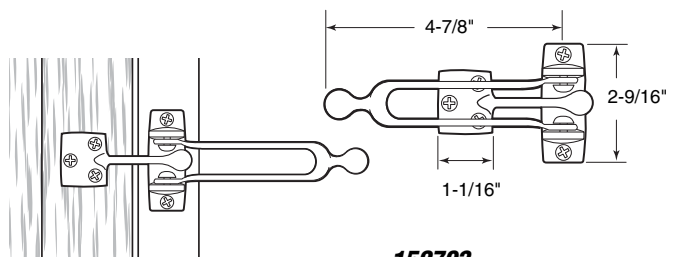


152793 (Polished brass finish)

Swing Bar Lock

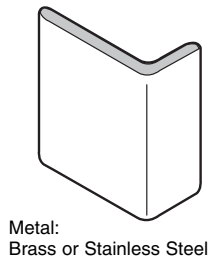
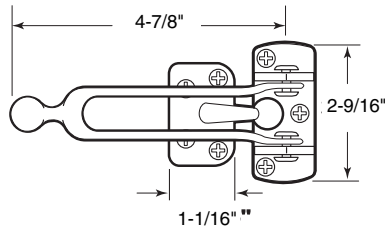
Contents: 1 swing loop keeper; 1 bar lock; 1 set of installation screws.

Description: Cast brass bar lock and swing loop keeper; ball on bar lock interlocks to keeper allowing door to be opened slightly for viewing, and helps to deter forced entry; ball on swing loop keeper serves as a convenient handle.

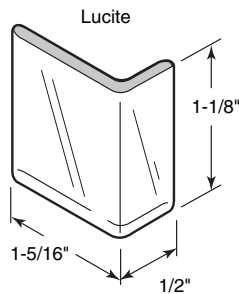


152793

152794
152795
152833
153284



Metal:
 Brass or Stainless Steel



S-4212
S-4213
S-4214
S-4215
S-4511
S-4512

152794 (Polished brass)
152795 (Satin bronze finish)
152833 (Brushed chrome finish)
153284 (Satin brass finish)

Swing Bar Lock with Edge Guard

Contents: 1 swing loop keeper; 1 bar lock; 1 edge guard; 1 set of installation screws.

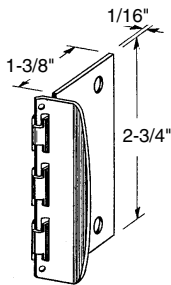
Description: Cast brass bar lock and swing loop keeper; polished or plated; ball on bar lock interlocks to keeper which allows door to be opened slightly for viewing; helps to deter forced entry; edge guard aids in reducing marring of door and frame.

S-4212 (Clear lucite - 10 per bag)
S-4213 (Polished brass - 5 per bag)
S-4214 (Antique brass - 5 per bag)
S-4215 (Brushed stainless - 5 per bag)
S-4511 (Satin brass - 5 per bag)
S-4512 (Chrome finish - 5 per bag)

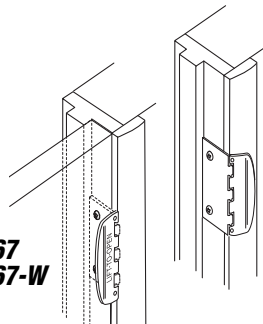
Edge Guard

Contents: Edge guards.

Description: Edge guard is adhesive backed for self-sticking application; eliminates marring of wood when lock is swung back and forth.



15267
15267-W

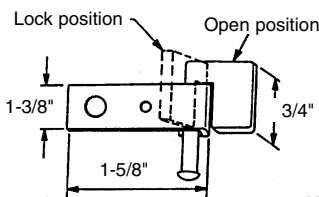


15267 (Brass finish)
15267-W (White finish)

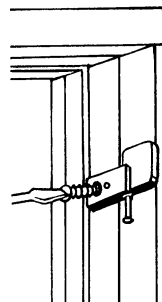
Flip Door Lock

Contents: 1 lock & installation screws.

Description: Plated or painted steel privacy lock; flip action to lock or unlock; no mortising required; easy to install.



15675

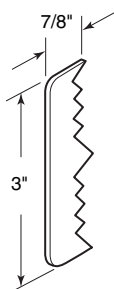


15675 (Yellow zinc finish)

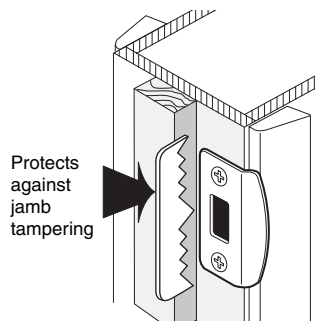
Mini Flip-It Lock

Contents: 1 lock; 1 set of installation fasteners.

Description: Plated steel installation plate and flip lock can be used on bedroom and bathroom doors as a secondary security or privacy lock; installs in seconds; easy to operate.



15802



15802 (Brass finish)

Anti-Jimmy Plate

Contents: 2 anti-jimmy plates.

Description: Plated steel plate protects against unwanted entry by use of credit cards or screwdrivers.

Entry Door

15268 (Polished brass)

152791 (Polished brass - **U.L. Listed**)

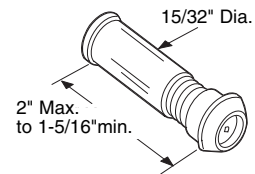
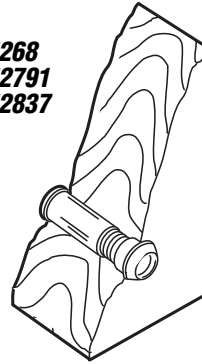
152837 (Satin chrome finish - **U.L. Listed**)

Door Viewer (160°)

Contents: 1 viewer.

Description: Solid brass housing; glass or plastic lenses; fits 1-3/8" to 2" thick wood or metal doors; easy to install; glass lens viewers are **U.L. Listed**; requires 1/2" hole for installation.

15268
152791
152837



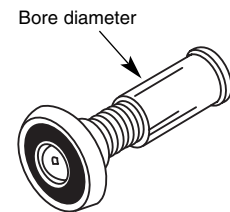
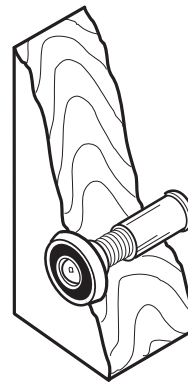
Door Viewers

Part No.	Bore Diameter	Finish	View
152803	1/2"	Chrome	180°
152828	1/2"	Brass	190°
15683	9/16"	Brass	180°
CCEP-4020*	9/16"	Brass	180°
153340	9/16"	Satin Chrome	190°
152796	9/16"	Chrome	190°
152838	9/16"	Satin Chrome	190° U.L. Listed
152792	9/16"	Brass	200° U.L. Listed
15684	9/16"	Brass	200°

Contents: 1 viewer.

Description: Solid brass housing; glass or plastic lenses; fits 1-3/8" to 2-1/8" thick wood or metal doors; easy to install; glass lens viewers are **U.L. Listed**.

*CCEP-4020: Bulk - 100 pieces per cut case carton.



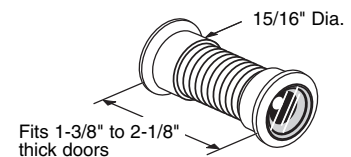
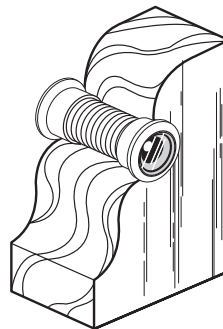
151317 (Polished brass)

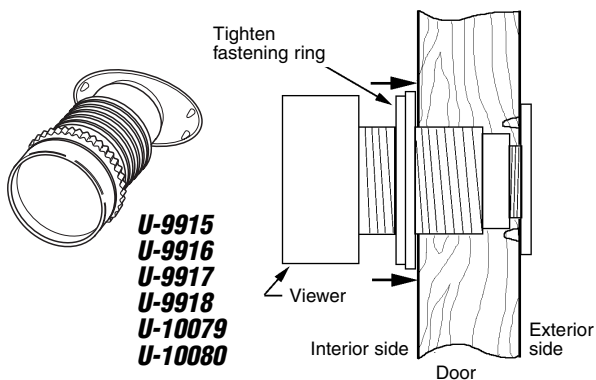
Door Viewer (160°)

Contents: 1 viewer.

Description: Solid brass end caps with diecast threaded housing; glass lens; fits 1-3/8" to 2-1/8" thick wood or metal doors; easy to install; requires 1" hole for installation.

151317





U-9915
U-9916
U-9917
U-9918
U-10079
U-10080

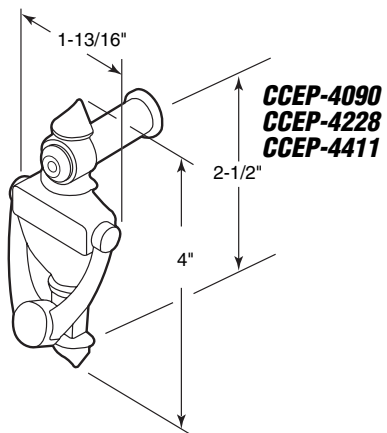
U-9915 (Gold finish)
U-9916 (Bronze finish)
U-9917 (White finish)
U-9918 (Gray finish)
U-10079 (Vacuum plated - Brass)
U-10080 (Vacuum plated - Chrome)

Door Viewer

Contents: 1 viewer.

Description: High impact plastic housing requires 1-3/4" hole; "clear image" prism construction allows arms length viewing with nearly 2" of giant screen viewing; fits 1-3/8" to 2" thick wood or metal doors; prism image is a reversed and mirrored image.

Note: New Defender packaging.



CCEP-4090
CCEP-4228
CCEP-4411

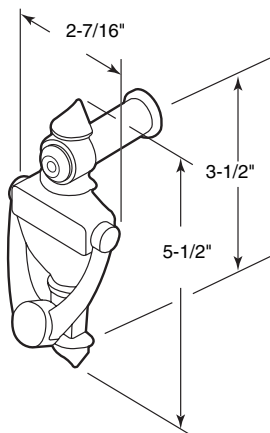
CCEP-4090 (Brass finish)
CCEP-4228 (Antique brass finish)
CCEP-4411 (Chrome finish)

Door Knocker and Viewer (Poly bagged)

Contents: 1 knocker; 1 viewer; 1 set of installation screws.

Description: Diecast knocker and solid brass 160° viewer; fits doors 1-3/8" to 1-3/4" thick; requires 1/2" installation hole.

Standard Pack: 10 per cut case box.



CCEP-4234
CCEP-4235

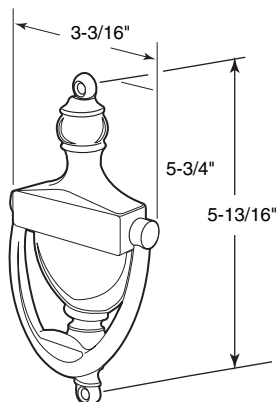
CCEP-4234 (Brass finish)
CCEP-4235 (Antique brass finish)

Door Knocker and Viewer (Poly bagged)

Contents: 1 knocker; 1 viewer; 1 set of installation screws.

Description: Deluxe brass door knocker and 180° viewer; fits doors 1-3/8" to 1-3/4" thick; requires 9/16" installation hole.

Standard Pack: 6 per cut case box.



CCEP-4089
CCEP-4227
CCEP-4412

CCEP-4089 (Brass finish)
CCEP-4227 (Antique brass finish)
CCEP-4412 (Chrome finish)

Door Knocker (Poly bagged)

Contents: 1 knocker.

Description: Plated diecast knocker; large traditional design.

Standard Pack: 6 per cut case box.

CCEP-4290 (2-1/2" length)

CCEP-4208 (3-1/2" length)

CCEP-4209 (4-1/2" length)

Safety Hasp (Poly bagged)

Contents: 1 hasp; 1 set of installation screws.

Description: Zinc plated steel safety hasp is used for a variety of applications, including securing pairs of doors and tool boxes; screws are concealed when hasp is in the locked position.

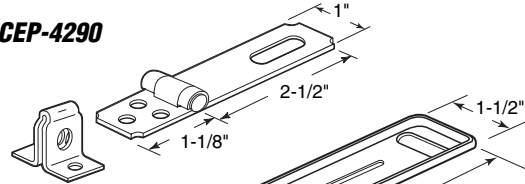
Standard Pack:

CCEP-4290 - 20 per cut case box

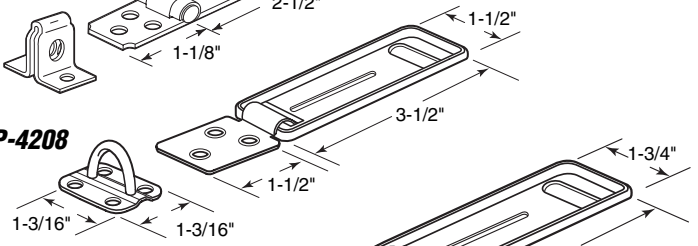
CCEP-4208 - 10 per cut case box

CCEP-4209 - 10 per cut case box

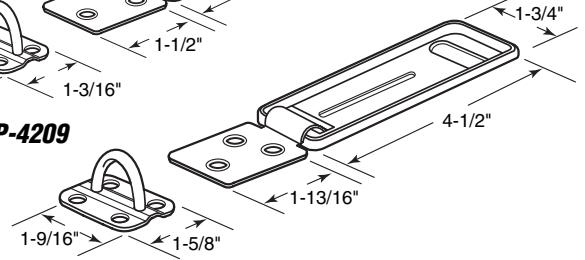
CCEP-4290



CCEP-4208



CCEP-4209



U-9951 (Chrome plated - 4" length - new Defender card)

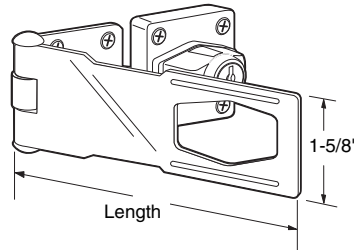
152814 (Chrome plated - 2-1/2" length)

Keyed Hasp

Contents: 1 hasp; 1 locking mechanism; 1 set of installation screws.

Description: Plated steel hasp hinges over zinc diecast locking mechanism; twist keyed knob to lock and use key to unlock; hasp covers screws when in locked position.

**U-9951
152814**



EP-4269 (Plastic tag)

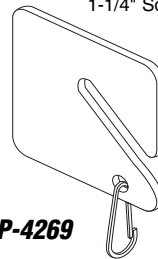
EP-4270 (Paper tag with metal rim)

Key Tags

Contents: 20 key tags in a poly bag.

Description: White plastic or paper key tags; used to identify specific corresponding locations.

1-1/4" Square



EP-4269

1-1/4" Dia.



EP-4270

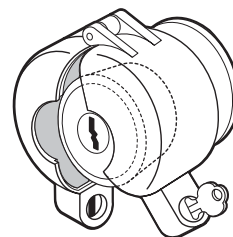
S-4180

Lockout Device

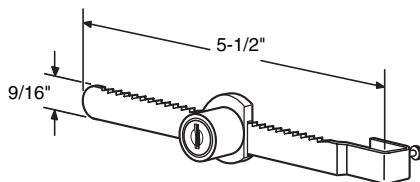
Contents: 1 lock per carton

Description: Diecast, gray painted lock; prevents door knob from being turned; deters tampering; key locked for maximum security.

S-4180



15718



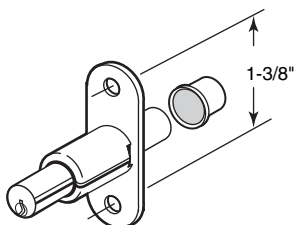
15718 (Chrome finish)

Showcase Window Key Lock

Contents: 1 lock; 2 keys; 1 adjustable bar.

Description: Chrome plated steel showcase and pass-thru window lock; fits up to 5/16" thick glass; adjustable lock allows for various closing alignments; easy to install.

172815

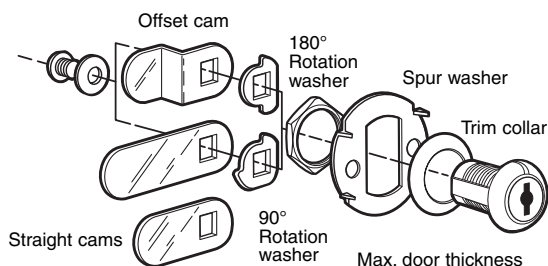


172815 (Chrome finish)

Showcase Plunger Lock

Contents: 1 lock; 1 ferrule; 2 keys.

Description: Plated diecast installation plate and steel plunger bolt; lock installs easily on sliding glass doors with track assemblies; it can be installed at top or bottom of door frame; spring activated design permits locking by pushing the plunger without using a key; bore size is 9/16" diameter.



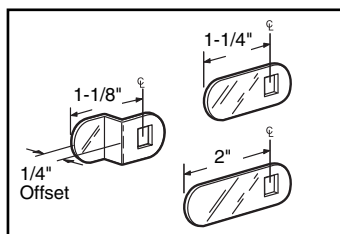
Drawer and Cabinet Lock

Part No.	Finish	Door Thickness	Application
223341	Brass	1/2"	Drawer & Cabinet Lock
223342	Chrome	1/2"	"
223343	Brass	3/4"	"
223344	Chrome	3/4"	"
223345	Chrome	1"	"
223346	Brass	1"	"

Contents: 1 lock; 2 cams; 1 trim collar; 1 spur washer; 2 rotation washers; 1 lock nut; 2 keys.

Description: Plated diecast housing and steel cams can be mounted to metal or wood door/drawer from 1/2" to 1" thick; **keyed locking** for maximum security.

Cam Dimensions



CCEP-4271 (Flush)

CCEP-4272 (Extended)

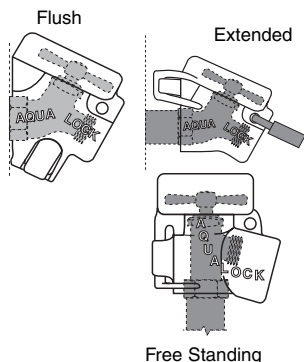
CCEP-4273 (Free standing)

Faucet Lock Box

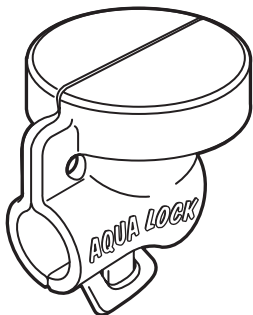
Contents: 1 lock box in a poly bag.

Description: Cast aluminum lock box, prevents faucet from being turned on accidentally; eliminates water waste and deters vandalism; requires use of a padlock.

Standard Pack: 3 per cut case box.



CCEP-4271
CCEP-4272
CCEP-4273



Mail Box Locks

S-4048 (1/4" bolt)

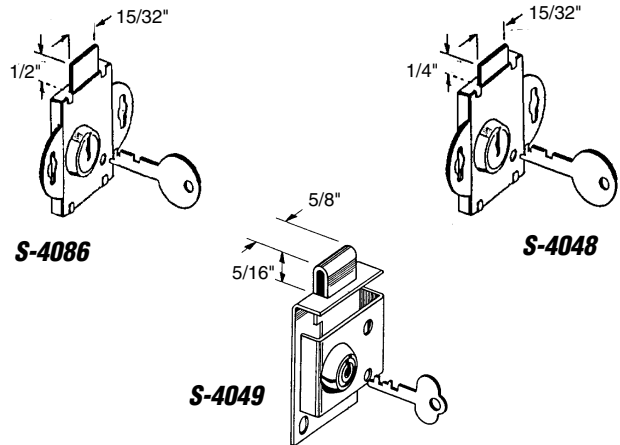
S-4049 (5/16" bolt)

S-4086 (1/2" bolt)

Deadbolt Locks

Contents: 1 lock with screws.

Description: Brass plated steel locks; key cylinder is offset from center; standard deadbolt application.



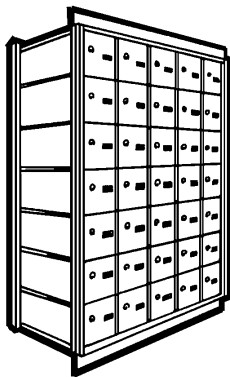
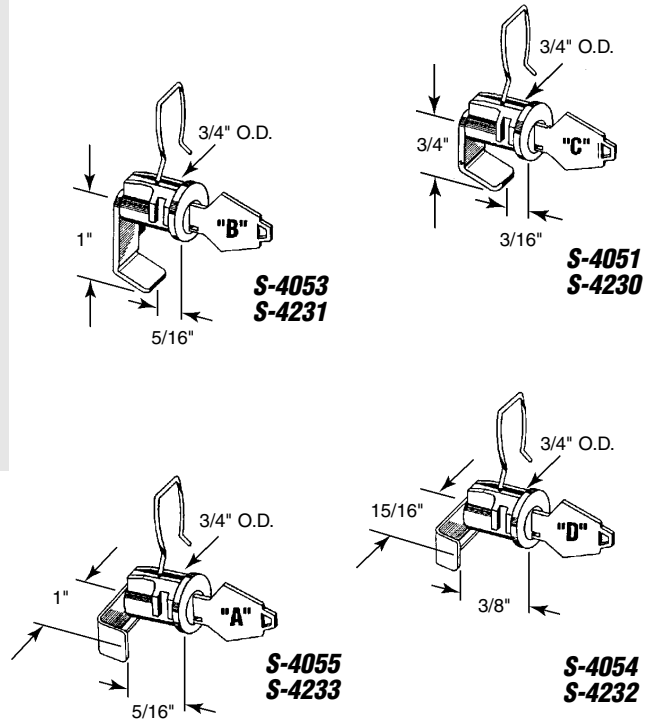
5-Pin Tumbler Locks (XL style)

Lock Face Finish
Part Number

Brass	Zinc	Replaces
S-4230	S-4051	<i>Dura Steel</i> (Jan. 1967-Oct. 1975)
S-4231	S-4053	<i>Dura Steel</i> (Nov. 1975)
S-4054	S-4232	<i>Jensen</i> (Horizontal style Jan. 1967-present or vertical style Nov. 1975-present)
S-4055	S-4233	<i>Permabilt</i> (Jan. 1967-present), and <i>Jensen</i> (Vertical style Jan. 1967-Oct. 1975)

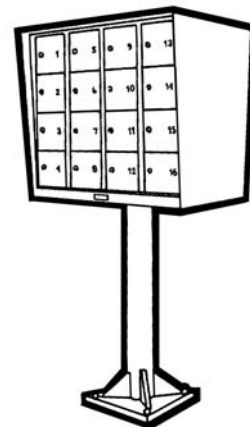
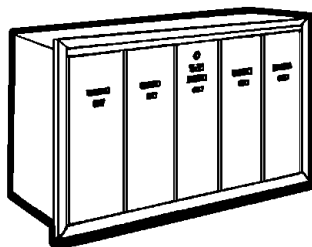
Contents: 1 lock assembly with 2 keys.

Description: Plated diecast housing and tumbler with brass pins; plated steel cam; spring wire locking clip; used by many West Coast mail box manufacturers.



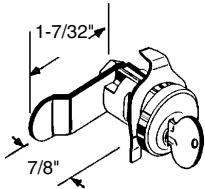
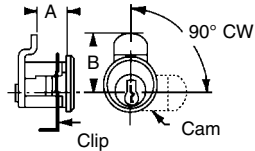
Commercial Multi-Units

Apartment-Type Units

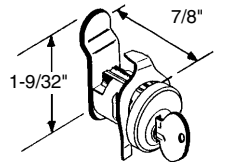


Pedestal-Type Units

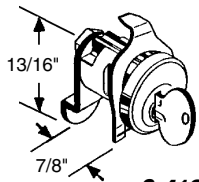
Cam measurements "A" & "B" are of primary importance in mail box lock selection



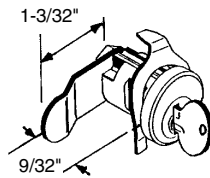
S-4125



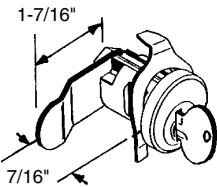
S-4126



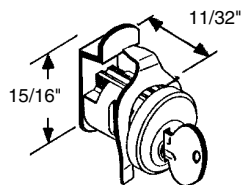
S-4127



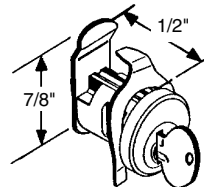
S-4128



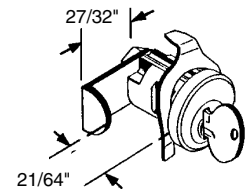
S-4129



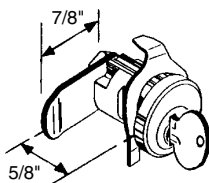
S-4130
S-4499



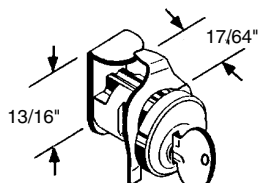
S-4131



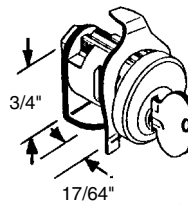
S-4132



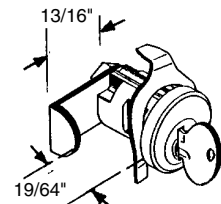
S-4133



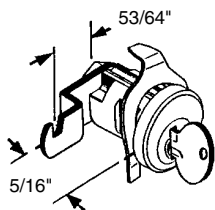
S-4134



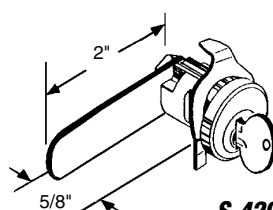
S-4136



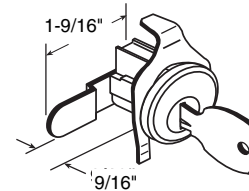
S-4137



S-4138



S-4297



S-4299

5-Pin Tumbler Locks (Nickel plated)

Part No.	Replaces	Direction of Turn To Open*	Locked Position
S-4125	Bommer	90° CCW	Left
S-4126	Bommer	90° CCW	Up
S-4127	Bommer	90° CCW	Down
S-4128	Auth Electric	90° CCW	Left
S-4129	American Device	90° CCW	Left
S-4130	Florence	90° CW	Up
S-4131	S.H. Couch	90° CW	Up
S-4132	Nutone	90° CCW	Left
S-4133	Cutler	90° CCW	Left
S-4134	Miami-Carey	90° CCW	Up
S-4136	Dura-Steel	90° CW	Down
S-4137	Jensen General	90° CCW	Left
S-4138	Bommer Hook	90° CCW	Left
S-4297	Bommer	90° CCW	Left
S-4299	Cutler Federal	90° CCW	Left
S-4499	Florence	90° CCW	Up

* CCW-Counter Clockwise CW-Clockwise

Contents: 1 lock assembly with 2 keys.

Description: Diecast cylinder with plated face; brass pins; plated steel cams; spring steel locking clip; replaces original equipment manufacturer's product.

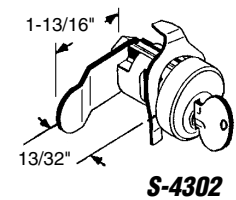
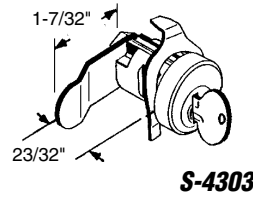
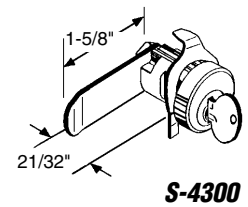
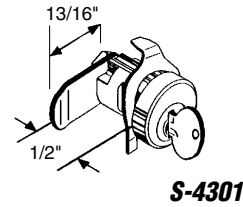
Mail Box Locks

- S-4300** (Cutler-Federal)
- S-4301** (Florence)
- S-4302** (Auth Electric)
- S-4303** (Bommer)

5-Pin Tumbler Locks (With dust covers)

Contents: 1 lock assembly with 2 keys.

Description: Diecast nickel plated face and cover; brass pins; zinc plated steel cam; spring steel locking clip; replaces original equipment manufacturer's product; dust cover protects internal pins and springs from dust and moisture in exposed exterior conditions.



- S-4139** (3 cam assortment)
- S-4140** (5 cam assortment)
- S-4396** (3 cam assortment)

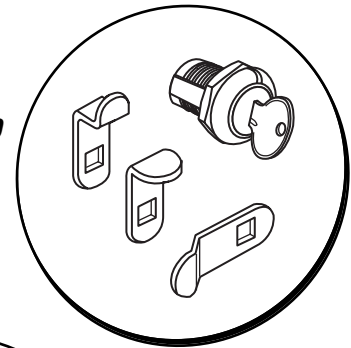
5-Pin Tumbler Locks

Part No.	Replaces	Dimensions		Locked Position
		A	B	
S-4139	Auth	9/32"	1-3/32"	Left
	Bommer	7/8"	1-9/32"	Up
	United	13/16"	1-1/16"	Left
S-4140	American	7/16"	1-7/16"	Left
	Florence	11/32"	15/16"	Up
	Miami-Carey	5/16"	13/16"	Up
	Bommer	7/8"	1-7/32"	Down
	Auth	9/32"	1-3/32"	Left
S-4396	Dura-Steel	5/32"	7/8"	Right
	Bommer	7/8"	1-7/32"	Left
	American	7/16"	1-7/16"	Left

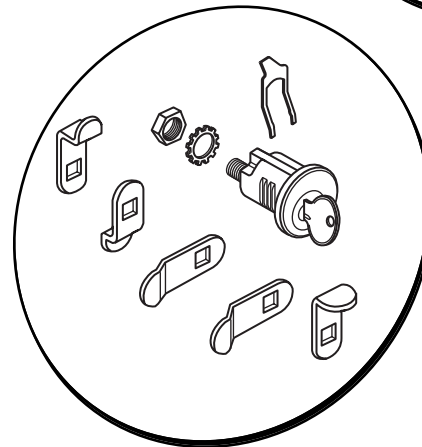
Contents: Multi-cam assortments; 1 each with 2 keys.

Description: Diecast cylinder with nickel plated face; brass pins; spring steel locking clip; replaces many manufacturers original equipment product; these multi-cam assortments can eliminate stocking of individual locks; all cylinders rotate 90° counter clockwise to open.

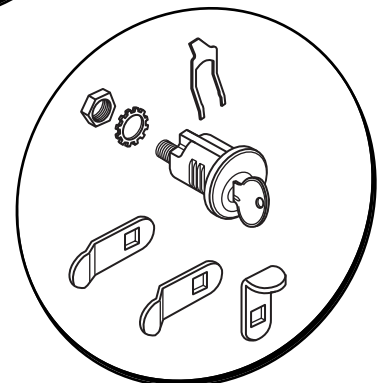
S-4139



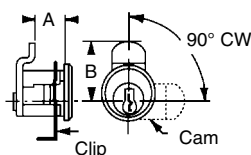
S-4140

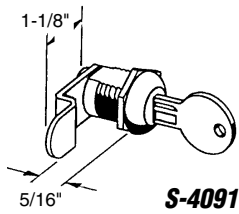


S-4396

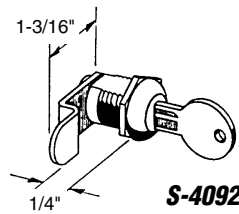


Cam measurements "A" & "B" are of primary importance in mail box lock selection

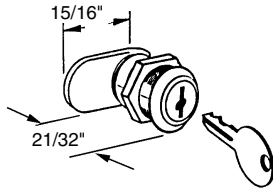




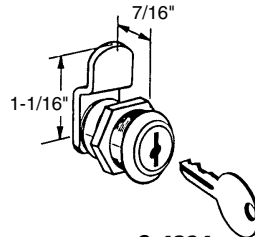
S-4091



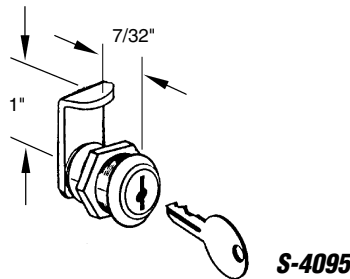
S-4092



S-4093

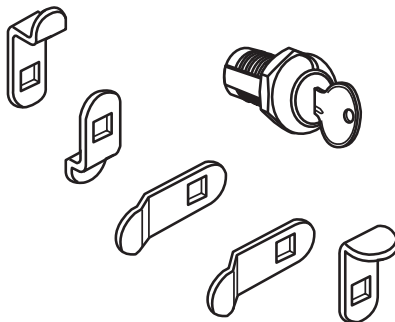


S-4094



S-4095

S-4333



S-4091 (American Device)

S-4092 (Auth)

S-4093 (Bommer)

S-4094 (Florence)

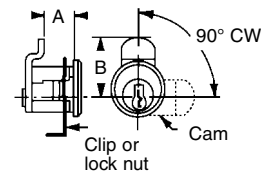
S-4095 (Miami-Carey)

Wafer Locks

Contents: 1 lock assembly; 2 keys.

Description: Diecast cylinder with nickel plated face; zinc plated steel cam and lock nut; replace original equipment manufacturer's product; **may be adjusted for CW or CCW rotation.**

Cam measurements "A" & "B" are of primary importance in mail box lock selection



S-4333 (5 cam assortment)

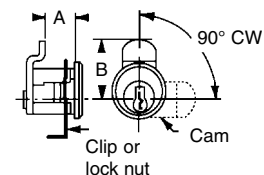
Wafer Lock

Replaces	Dimensions		Locked Position
	A	B	
Auth	9/32"	1-3/32"	Left
Bommer	7/8"	1-9/32"	Up
American	7/16"	1-7/16"	Left
Florence	11/32"	15/16"	Up
Miami-Carey	17/64"	13/16"	Up

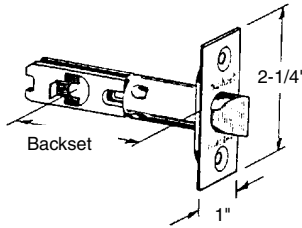
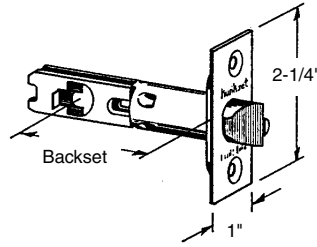
Contents: 1 lock assembly; 5 cams; 2 keys.

Description: Diecast cylinder with nickel plated face; plated steel wafers; plated steel cams and lock nut; replaces original equipment manufacturer's product; **may be adjusted for CW or CCW rotation.**

Cam measurements "A" & "B" are of primary importance in mail box lock selection

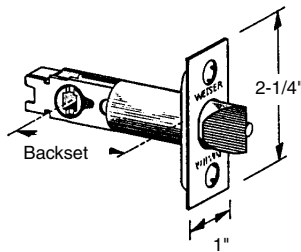
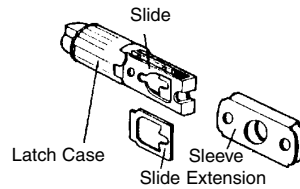


**E-2200
E-2205
E-2210**



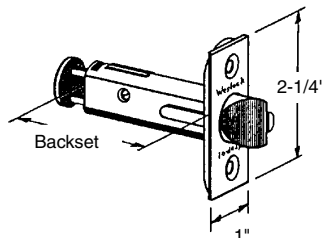
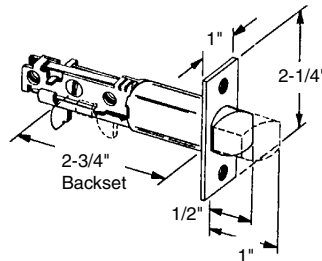
**E-2286
E-2287
E-2288**

E-2289



**E-2201
E-2206
E-2211**

E-2269



**E-2204
E-2209
E-2213**

E-2200 (2-3/8" Backset)
E-2205 (2-3/4" Backset)
E-2210 (5" Backset)

"Kwikset" Deadlatch

Contents: 1 latch; 2 installation screws.

Description: Brass finish; square corner faceplate; 7/8" bore.

Call for Availability

E-2286 (2-3/8" Backset)
E-2287 (2-3/4" Backset)
E-2288 (5" Backset)

"Kwikset" Standard Springlatch

Contents: 1 latch; 2 installation screws.

Description: Brass finish; square corner faceplate; used on residential passage and privacy locksets.

Call for Availability

E-2289

"Kwikset" Adjustable Deadlatch

Contents: 1 deadlatch; 1 faceplate; 2 installation screws.

Description: Brass finish; adjustable deadlatch can be used for 2-3/8" or 2-3/4" backset; also usable in drive-in application.

E-2201 (2-3/8" Backset)
E-2206 (2-3/4" Backset)
E-2211 (5" Backset)*

"Weiser" Deadlatch

Contents: 1 latch; 2 installation screws.

Description: Brass finish; square corner faceplate; 7/8" bore.

**Call for availability on this item.*

E-2269

"Weiser" Combination Latch & Deadbolt

Contents: 1 latchbolt; 1 set of installation screws.

Description: Brass finish; square corner faceplate; an additional turn of the key extends the throw 1/2" further to provide additional security.

E-2204 (2-3/8" Backset)
E-2209 (2-3/4" Backset)
E-2213 (5" Backset)

"Weiser" Deadlatch

Contents: 1 latch; 2 installation screws.

Description: Brass finish; square corner faceplate; 7/8" bore.

E-2290

"Weslock" Standard Springlatch

Call for Availability

Contents: 1 latch; 2 installation screws.

Description: Brass finish; square corner faceplate; used on residential passage and privacy locksets.

E-2202 (2-3/8" Backset)

E-2207 (2-3/4" Backset)

E-2212 (5" Backset)

"Schlage" Deadlatch (New style)

Contents: 1 latch; 2 installation screws.

Description: Brass finish; square corner faceplate; 7/8" bore.

E-2203

"Schlage" Deadlatch (Old Style)

Call for Availability

Contents: 1 latch; 2 installation screws.

Description: Brass finish; square corner faceplate; 7/8" bore.

E-2237 (2-3/8" Backset)

E-2238 (2-3/4" Backset)

E-2239 (5" Backset)

"Dexter" Deadlatch

Call for Availability

Contents: 1 latch; 2 installation screws.

Description: Brass finish; square corner faceplate; 7/8" bore.

E-2281

Passage Door Springlatch

Contents: 1 latch; 2 installation screws.

Description: Brass finish; square corner faceplate; accepts a 5/16" square spindle; used on old style passage door locksets.

E-2243 (2-3/8" Backset)

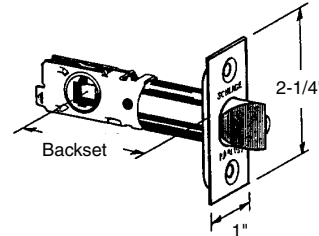
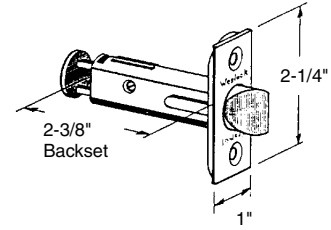
E-2244 (2-3/4" Backset)

"Kwikset" Deadlatch (Drive-in)

Contents: 1 deadlatch.

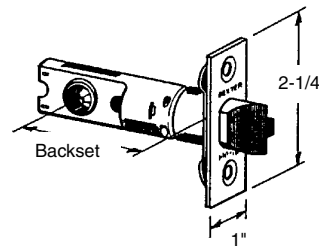
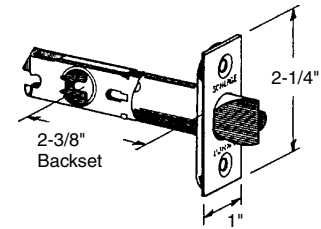
Description: Brass finish; drive-in style; 1" bore.

E-2290



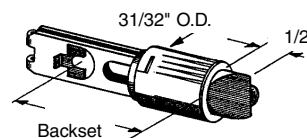
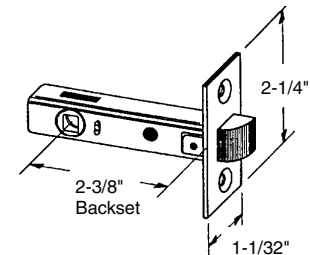
**E-2202
E-2207
E-2212**

E-2203



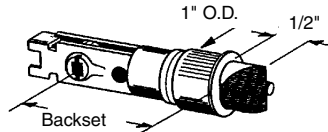
**E-2237
E-2238
E-2239**

E-2281



**E-2243
E-2244**

E-2246
E-2247

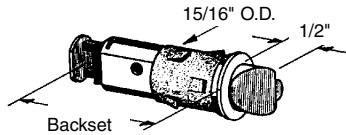


E-2246 (2-3/8" Backset)
E-2247 (2-3/4" Backset)

"Weiser" Deadlatch (Drive-in)

Contents: 1 deadlatch.

Description: Brass finish; drive-in style; 1" bore.



E-2252
E-2253

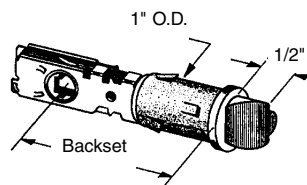
E-2252 (2-3/8" Backset)
E-2253 (2-3/4" Backset)

"Weslock" Deadlatch (Drive-in)

Contents: 1 deadlatch.

Description: Brass finish; drive-in style; 1" bore.

E-2249
E-2250

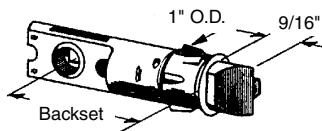


E-2249 (2-3/8" Backset)
E-2250 (2-3/4" Backset)

"Schlage" Deadlatch (Drive-in)

Contents: 1 deadlatch.

Description: Chrome finish; drive-in style; 1" bore; fits on Schlage new style lock sets.



E-2255
E-2256

E-2255 (2-3/8" Backset)
E-2256 (2-3/4" Backset)

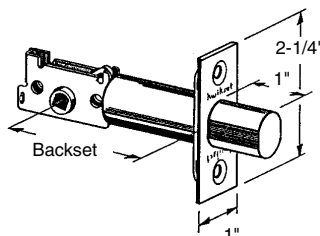
"Dexter" Deadlatch (Drive-in)

Contents: 1 deadlatch.

Description: Brass finish; drive-in style; 1" bore.

Call for Availability

E-2214
E-2220
E-2226

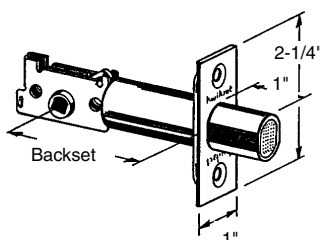


E-2214 (2-3/8" Backset)
E-2220 (2-3/4" Backset)
E-2226 (5" Backset)

"Kwikset" Standard 660 Series Deadbolt

Contents: 1 deadbolt; 2 installation screws.

Description: Brass finish; square corner faceplate; 1" bolt throw; 7/8" bore.



E-2215
E-2221
E-2227

E-2215 (2-3/8" Backset)
E-2221 (2-3/4" Backset)
E-2227 (5" Backset)

"Kwikset" Deluxe 880 Series Deadbolt

Contents: 1 deadbolt; 2 installation screws.

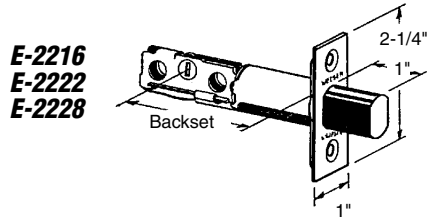
Description: Brass finish; square corner faceplate; 1" bolt throw; 7/8" bore.

- E-2216** (2-3/8" Backset)
- E-2222** (2-3/4" Backset)
- E-2228** (5" Backset)

"Weiser" Single Cylinder Deadbolt

Contents: 1 deadbolt; 2 installation screws.

Description: Brass finish; square corner faceplate; 1" bolt throw; 7/8" bore; used with single key cylinder locksets.

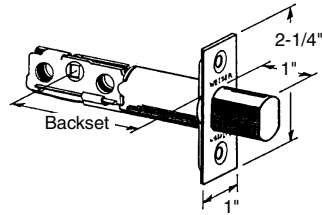


- E-2217** (2-3/8" Backset)
- E-2223** (2-3/4" Backset)
- E-2229** (5" Backset)

"Weiser" Double Cylinder Deadbolt

Contents: 1 deadbolt; 2 installation screws.

Description: Brass finish; square corner faceplate; 1" bolt throw; 7/8" bore; used with double key cylinder locksets.

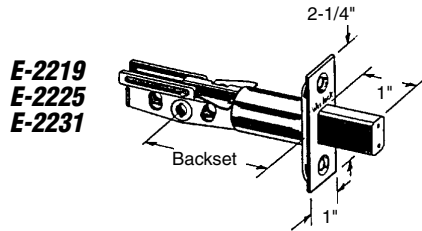


- E-2219** (2-3/8" Backset)
- E-2225** (2-3/4" Backset)
- E-2231** (5" Backset)

"Weslock" Deadbolt

Contents: 1 deadbolt; 2 installation screws.

Description: Brass finish; square corner faceplate; 1" bolt throw; 7/8" bore.



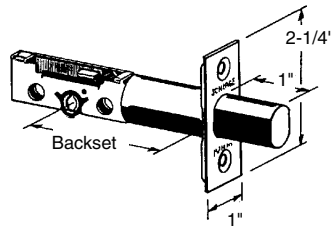
- E-2218** (2-3/8" Backset)
- E-2224** (2-3/4" Backset)
- E-2230** (5" Backset)

Call for Availability

"Schlage" Deadbolt

Contents: 1 deadbolt; 2 installation screws.

Description: Brass finish; square corner faceplate; 1" bolt throw; 7/8" bore.



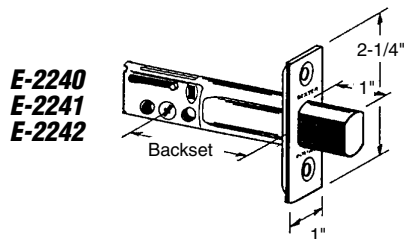
- E-2240** (2-3/8" Backset)
- E-2241** (2-3/4" Backset)
- E-2242** (5" Backset)

Call for Availability

"Dexter" Deadbolt

Contents: 1 deadbolt; 2 installation screws.

Description: Brass finish; square corner faceplate; 1" bolt throw; 7/8" bore.

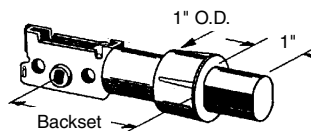


- E-2258** (2-3/8" Backset)
- E-2259** (2-3/4" Backset)

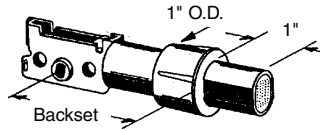
"Kwikset" Standard 660 Series Deadbolt

Contents: 1 deadbolt.

Description: Brass finish; drive-in style; 1" bore.



E-2261
E-2262

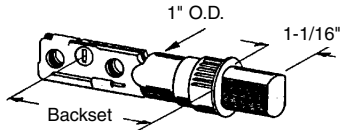


E-2261 (2-3/8" Backset)
E-2262 (2-3/4" Backset)

"Kwikset" Deluxe 880 Series Deadbolt

Contents: 1 deadbolt.

Description: Brass finish; drive-in style; 1" bore.



E-2264
E-2265

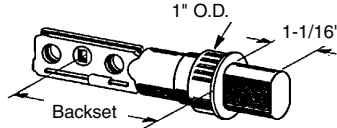
E-2264 (2-3/8" Backset)
E-2265 (2-3/4" Backset)

"Weiser" Single Cylinder Deadbolt

Contents: 1 deadbolt.

Description: Brass finish; drive-in style; 1" bore; used on single key cylinder locksets.

E-2267
E-2268



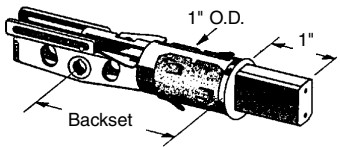
E-2273
E-2274

E-2267 (2-3/8" Backset)
E-2268 (2-3/4" Backset)

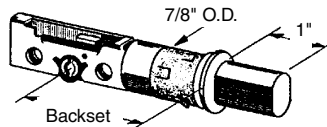
"Weiser" Double Cylinder Deadbolt

Contents: 1 deadbolt.

Description: Brass finish; drive-in style; 1" bore; used on double key cylinder locksets.



E-2270
E-2271



E-2273 (2-3/8" Backset)
E-2274 (2-3/4" Backset)

"Weslock" Deadbolt

Contents: 1 deadbolt.

Description: Brass finish; drive-in style; 1" bore.

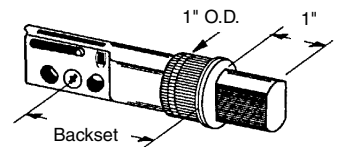
Call for Availability

E-2270 (2-3/8" Backset)
E-2271 (2-3/4" Backset)

"Schlage" Deadbolt

Contents: 1 deadbolt.

Description: Chrome finish; drive-in style; 1" bore.



E-2276
E-2277

E-2276 (2-3/8" Backset)
E-2277 (2-3/4" Backset)

"Dexter" Deadbolt

Contents: 1 deadbolt.

Description: Brass finish; drive-in style; 1" bore.

Call for Availability

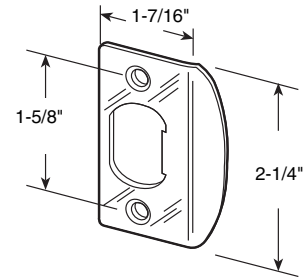
- E-2232** (Brass finish)
- E-2233** (Antique brass finish)
- E-2234** (Chrome finish)

Standard Latch Strike

Contents: 2 strikes with 4 - #8 x 1" Phillips flat head screws.

Description: **Plated steel** strike with **adjustable latching tab**; replaces most residential interior and exterior strikes.

E-2232
E-2233
E-2234

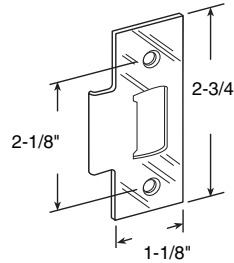


- E-2284** (Brass plated steel)
- E-2299** (Stainless steel)
- E-2300** (Bronze 10B finish)
- E-2305** (Polished solid brass)

Standard "T" Strike (Meets ANSI A156.2)

Contents: 1 strike with 2 - #8 x 1" Phillips flat head combination screws.

Description: Strikes available in various metals and plated finishes; used on wood or metal jambs with most grade 2 locksets.



E-2284
E-2299
E-2300
E-2305

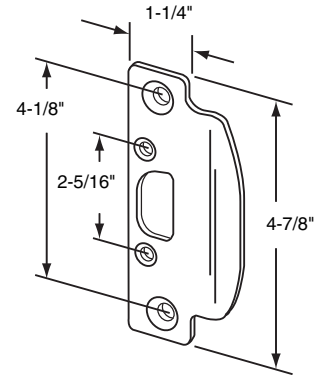
- E-2236** (Brass finish)
- E-2291** (Antique brass finish)
- E-2298** (Chrome finish)

Security Latch Strike (Poly bagged)

Contents: 1 strike with 2 - #8 x 1" Phillips flat head screws and 2 - #8 x 3" Phillips drywall screws.

Description: **Plated steel** strike; fits A.N.S.I cut-out for commercial and residential applications, **improves security** with 3" long screws attaching to wall stud.

E-2236
E-2291
E-2298

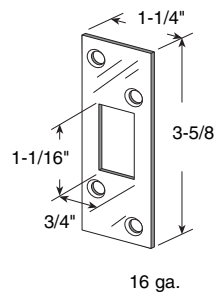


- E-2235** (Brass finish)
- E-2285** (Antique brass finish)
- E-2292** (Chrome finish)

Security Deadbolt Strikes

Contents: 1 strike with 2 - #8 x 1" Phillips flat head screws and 2 - #8 x 3" Phillips drywall screws.

Description: **Plated steel** strike replaces most deadbolt strikes for **increased security**, a result of securing 3" screws to wall stud.



E-2235
E-2285
E-2292

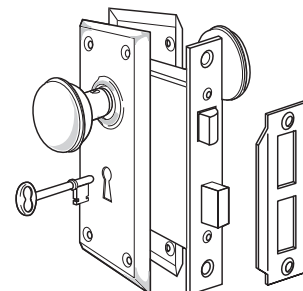
- E-2293** (Brass finish)

Mortise Lock Set (Keyed)

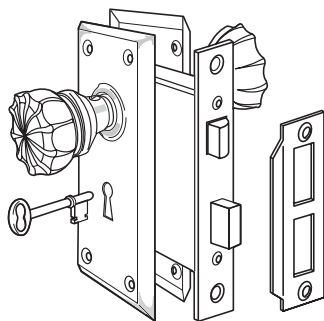
Contents: 1 mortise caselock assembly; 2 knobs; 2 trim plates; strike plate and installation screws.

Description: **Polished brass** finish; **case hardened steel case**; lock bolt is key activated both inside and outside; latch bolt is reversible for right or left hand installations.

E-2293



E-2311



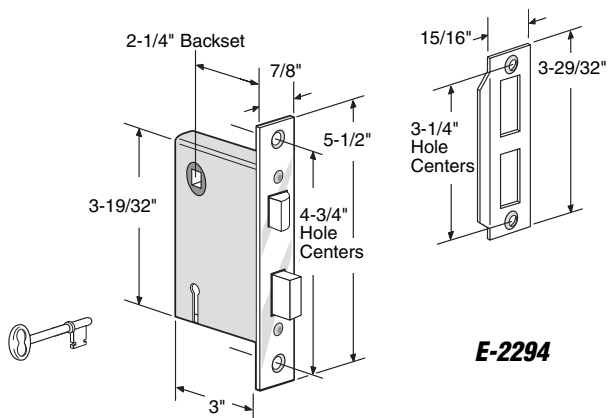
E-2311 (Brass finish - glass handles)

Mortise Lock Set (Keyed)

Contents: 1 mortise caselock assembly; 2 knobs; 2 trim plates strike plate and installation screws.

Description: Glass knobs with brass plated steel trim plates; case hardened steel case; lock bolt is key activated both inside and outside; latch bolt is reversible for right or left hand installations.

You may wish to stock these related parts: **E-2279, E-2281, E-2294, E-2295.**



E-2294

E-2294

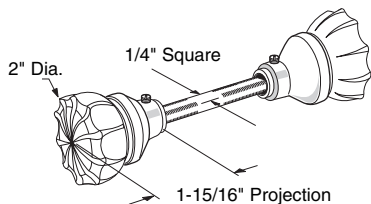
Mortise Lock Assembly (Keyed)

Contents: 1 mortise caselock assembly; strike plate and installation screws.

Description: Mortise caselock with brass plated steel faceplate; case hardened steel case; spindle hole accommodates 1/4" to 5/16" square shaft; latch bolt is reversible for right or left hand installations.

You may wish to stock these related parts: **E-2293, E-2295, E-2311.**

E-2279



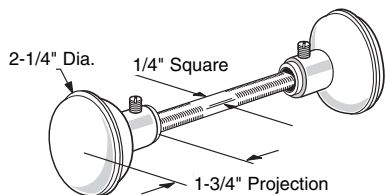
E-2279 (Glass - brass plated base)

Knobs

Contents: 2 knobs and 1 spindle.

Description: Glass knobs with diecast base as used on various exterior and interior locksets.

You may wish to stock these related parts: **E-2294, E-2295 E-2311.**



E-2280

E-2280 (Brass finish)

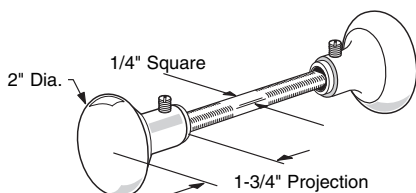
Knobs

Contents: 2 knobs and 1 spindle.

Description: Plated steel knobs as used on various exterior and interior locksets.

You may wish to stock these related parts: **E-2293, E-2294 E-2295.**

**E-2297
E-2319**



E-2297 (Polished brass)

E-2319 (White painted steel)

Knobs

Contents: 2 knobs and 1 spindle.

Description: Brass and steel knobs as used on various exterior and interior locksets.

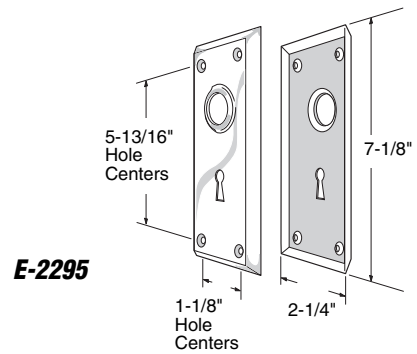
E-2295 (Brass finish)

Door Escutcheon Plates

Contents: 2 escutcheon plates & installation screws.

Description: Brass plated steel plates; repair parts for E-2293 & E-2311.

You may wish to stock these related parts: **E-2293, E-2294 and E-2311.**



E-2282 (2-1/4" - brass finish)

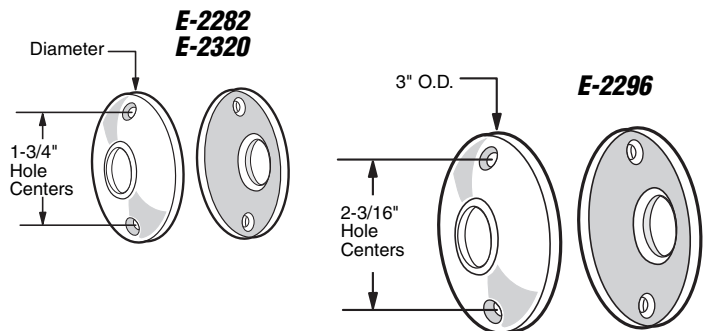
E-2320 (2-1/4" - white finish)

E-2296 (3" - Solid brass)

Door Knob Rosettes

Contents: 2 rosettes & installation screws.

Description: Plated steel rosettes; screw mounted on door; for old style passage locks.



E-2283 (Brass finish)

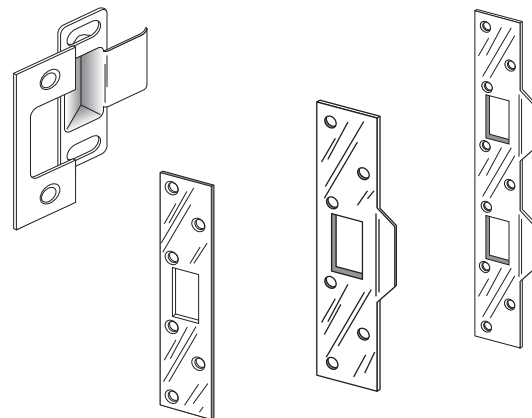
Decorative Pull Handle

Contents: 1 handle with thru-bolt.

Description: Plated diecast pull handle has 2-1/8" diameter lip to fit most rosettes; bottom has hole for thru-bolt.



**SEE OUR
Defender Security
section for a complete
line of strike plates**



Deadlatch & Deadbolt Accessories

- E-2232** (Brass plated finish - 2 per card)
- E-2233** (Antique brass plated finish - 2 per card)
- E-2234** (Chrome plated finish - 2 per card)
- E-2301** (Stainless steel finish - 2 per card)
- E-2307** (Brass plated finish - 1 per card)
- E-2308** (Antique brass plated finish - 1 per card)
- E-2309** (Chrome plated finish - 1 per card)

Standard Latch Strike

Contents: Strike(s) with 2 (or 4) #8 x 1" Phillips flat head screws.

Description: Steel strike with **adjustable tab**; replaces most residential interior and exterior strikes.

You may wish to stock these related parts: **E-2235, U-9422, U-9424** and **U-9486**.

Standard Pack: 10/box

- E-2284** (Brass plated steel)
- E-2299** (Stainless steel finish)
- E-2300** (Bronze 10B finish)
- E-2305** (Polished brass)

Standard "T" Strike (Meets ANSI A156.2)

Contents: 1 strike with (2) #8 x 1" Phillips flat head combination screws.

Description: Used on wood or metal jambs with most grade 2 locksets.

You may wish to stock these related parts: **E-2232, E-2235, U-9422** and **U-9486**.

Standard Pack: 10/box

- U-9486** (Brass plated finish)
- U-9487** (Antique brass plated finish)
- U-9488** (Chrome plated finish)

Adjustable Strike

Contents: 2 piece strike with (2) #8 x 3/8" Phillips flat head machine screws and (2) #8 x 1" Phillips flat head screws.

Description: Adjustability provides snug fit of door to jamb, stops rattle, assures engagement of deadlatch function; may be used on residential or commercial frames. Used on **Roberts** redi-frame and **Timely** metal frames.

You may wish to stock these related parts: **E-2232, E-2235, U-9422** and **U-9483**.

Standard Pack: 10/box

- U-9483** (Stainless steel)
- U-9484** (Solid polished brass)
- U-9485** (Solid bronze)

Standard A.S.A. Commercial Strike

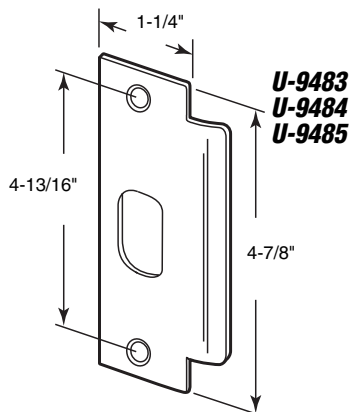
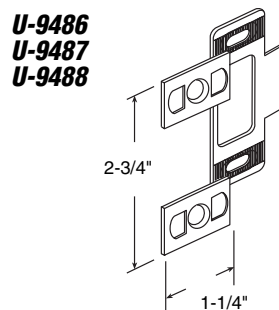
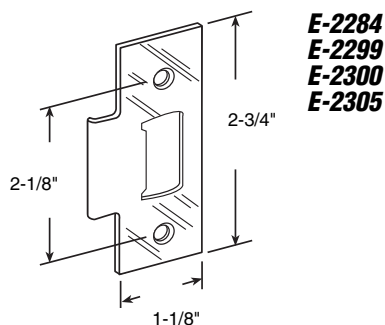
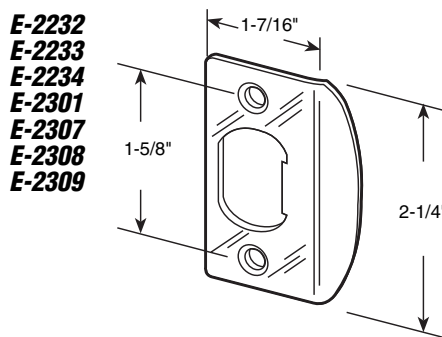
(Meets ANSI A156.2)

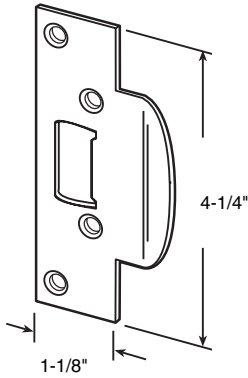
Contents: 1 strike with (2) #12-24 x 1" Phillips flat head combination screws.

Description: Used on wood or metal jambs with most grade 1 locksets.

You may wish to stock these related parts: **E-2232, E-2235, U-9422** and **U-9486**.

Standard Pack: 10/box





U-9422
U-9424
U-9474

- U-9422** (Brass plated finish)
- U-9424** (Antique brass plated finish)
- U-9474** (Chrome plated finish)

Security Latch Strike

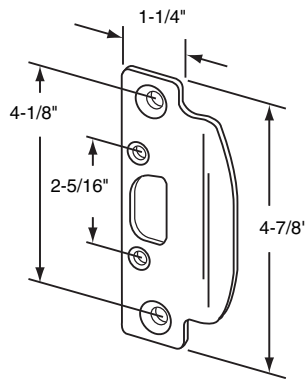
Contents: 1 strike with (2) #8 Phillips flat head screws and (2) #8 x 3" Phillips drywall screws.

Description: Replaces standard strikes and provides improved security with 3" screws attaching to wall stud.

You may wish to stock these related parts: **E-2232, E-2284, U-9486 and U-9483.**

Standard Pack: 10/box

E-2236
E-2291
E-2298



- E-2236** (Brass plated finish)
- E-2291** (Antique brass plated finish)
- E-2298** (Chrome plated finish)

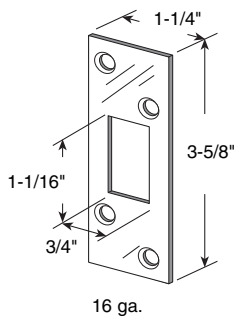
Security Latch Strike (Poly-bagged)

Contents: 1 strike with (2) #8 x 1" Phillips flat head screws and (2) #8 x 3" Phillips drywall screws.

Description: Fits A.N.S.I. cut-out for commercial and residential applications, improves security with 3" long screws attaching to wall stud.

You may wish to stock these related parts: **E-2232, E-2284, U-9486 and U-9483.**

Standard Pack: 10/bag



U-9532
U-9533
U-9534
U-9989
U-9990

- U-9532** (Brass plated finish)
- U-9533** (Antique brass plated finish)
- U-9534** (Nickel plated finish)
- U-9989** (Brass plated finish - small card)
- U-9990** (Antique brass plated finish - small card)

Security Strike Kit (For deadbolt & latch combinations)

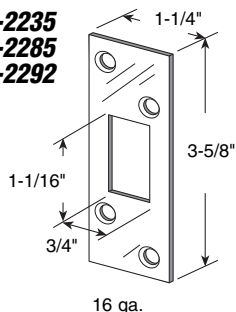
Contents: 2 strikes with (4) #8 x 1" Phillips flat head screws and (4) #8 x 3" Phillips drywall screws.

Description: Allows hole center flexibility in securing combination deadbolt and entry lock installation, improves security with 3" long screws attaching to wall stud.

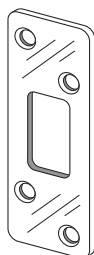
You may wish to stock these related parts: **E-2232, E-2284, U-9486 and U-9483.**

Standard Pack: 10/box

E-2235
E-2285
E-2292



E-2302
E-2303
E-2304



- E-2235** (Brass plated finish - square corner)
- E-2285** (Antique brass plated finish - square corner)
- E-2292** (Chrome plated finish - square corner)
- E-2302** (Brass plated finish - 1/4" radius corner)
- E-2303** (Antique brass plated finish - 1/4" radius corner)
- E-2304** (Chrome plated finish - 1/4" radius corner)

Security Deadbolt Strikes

Contents: 1 strike with (2) #8 x 1" and (2) #8 x 3" Phillips drywall screws.

Description: Plated steel strike replaces most deadbolt strikes for increased security, a result of securing 3" screws to wall stud.

You may wish to stock these related parts: **U-9425 and U-9475.**

Standard Pack: 10/box

Deadlatch & Deadbolt Accessories

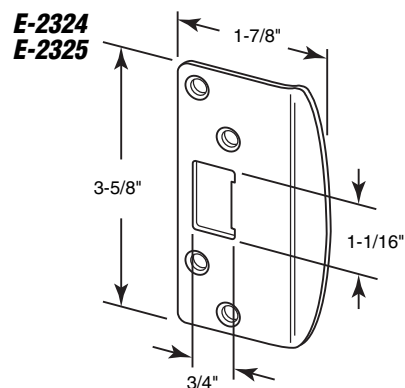
E-2324 (Brass plated finish)
E-2325 (Chrome plated finish)

Continuous Lip Strike

Contents: 1 strike with (2) #8 x 1" Phillips flat head screws and (2) #8 x 3" Phillips drywall screws.

Description: Combination deadlatch and deadbolt strike replaces standard strikes and provides improved security with 3" long screws attaching to wall stud.

You may wish to stock these related parts: **E-2235, U-9426.**



Standard Pack: 10/box

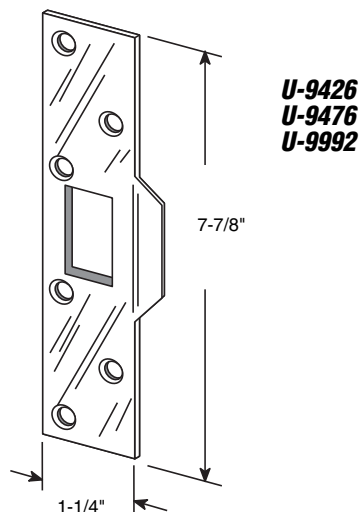
U-9426 (Brass plated finish)
U-9476 (Chrome plated finish)
U-9992 (Antique brass plated finish)

Maximum Security Latch Strike

Contents: 1 strike with (2) #8 x 1" Phillips flat head screws and (4) #8 x 3" Phillips drywall screws.

Description: Strengthens or repairs wood jambs, improves security with 3" long screws attaching to wall stud.

You may wish to stock these related parts: **E-2232, E-2284, U-9486, U-9483.**



Standard Pack: 10/box

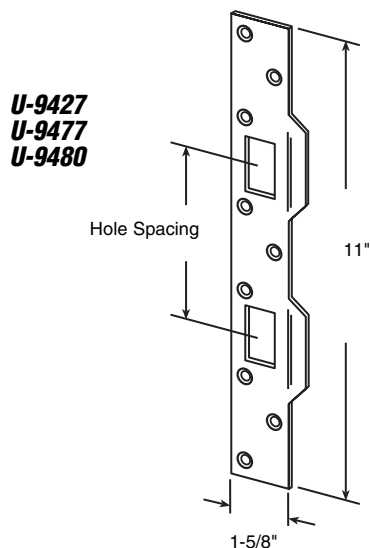
U-9427 (Brass plated finish - 3-5/8" to 4" hole spacing)
U-9477 (Chrome plated finish - 3-5/8" to 4" hole spacing)
U-9480 (Brass plated finish - 5-1/2" to 6" hole spacing)

Maximum Security Combination Strike

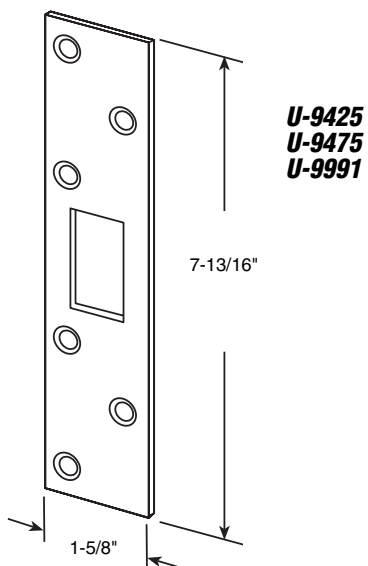
Contents: 1 strike with (3) #8 x 1" Phillips flat head screws and (6) #8 x 3" Phillips drywall screws.

Description: Replaces standard latch and deadbolt strikes with one piece security, repairs or strengthens with 3" long screws that attach to wall stud.

You may wish to stock these related parts: **U-9425, U-9426.**



Standard Pack: 10/box



- U-9425** (Brass plated finish)
- U-9475** (Chrome plated finish)
- U-9991** (Antique brass plated finish)

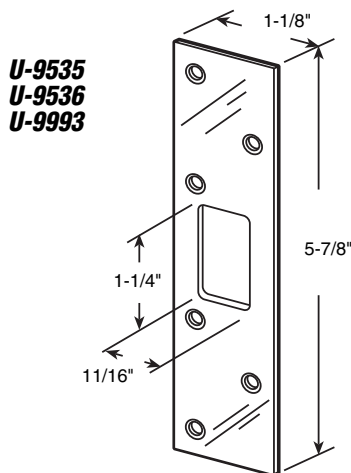
Maximum Security Deadbolt Strike

Contents: 1 strike with (2) #8 x 1" Phillips flat head screws and (4) #8 x 3" Phillips drywall screws.

Description: Strengthens or repairs wood jambs, improves security with 3" long screws attaching to wall stud.

You may wish to stock these related parts: **E-2235** and **U-9426**.

Standard Pack: 10/box



- U-9535** (Brass plated finish)
- U-9536** (Nickel plated finish)
- U-9993** (Antique brass plated finish)

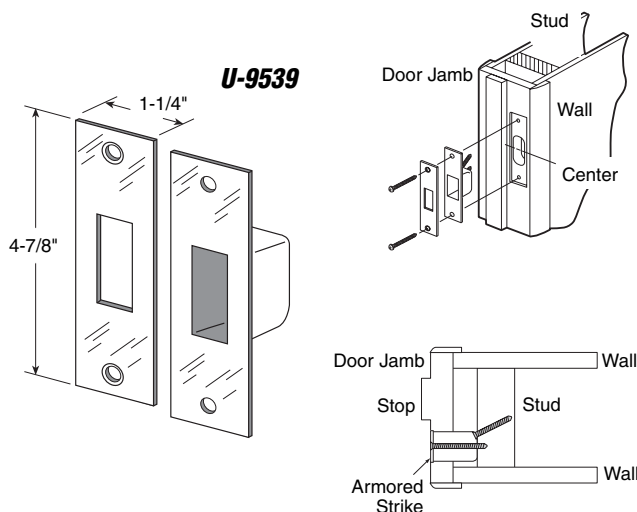
Maximum Security Deadbolt Strike

Contents: 1 strike with (2) #8 x 1" Phillips flat head screws and (4) #8 x 3" Phillips drywall screws.

Description: Strengthens or repairs wood jambs, improves security with 3" long screws attaching to wall stud.

You may wish to stock these related parts: **E-2235** and **U-9425**.

Standard Pack: 10/box



- U-9539** (Brass plated finish)

Armored Security Strike

Contents: 1 box strike; 1 face plate and installation screws.

Description: Zinc and brass plated steel strike and face plate; some mortising required; screws at base of box strike secure to 2" x 4" framing for added security.

You may wish to stock these related parts: **E-2232**, **E 2284**, **U-9486** and **U-9483**.

Standard Pack: 10/box

Lock & Door Reinforcers

Part No.	Finish	Backset	Door Thickness	Reinforcer Width
U-9547	Brass	2-3/8"	1-3/8"	3-7/8"
U-9548	Brass	2-3/8"	1-3/4"	3-7/8"
U-9549	Brass	2-3/4"	1-3/8"	4-5/16"
U-9550	Brass	2-3/4"	1-3/4"	4-5/16"
U-9568	Antique Brass	2-3/8"	1-3/8"	3-7/8"
U-9569	Antique Brass	2-3/8"	1-3/4"	3-7/8"
U-9570	Antique Brass	2-3/4"	1-3/8"	4-5/16"
U-9571	Antique Brass	2-3/4"	1-3/4"	4-5/16"
U-9585	Stainless Steel	2-3/8"	1-3/8"	3-7/8"
U-9586	Stainless Steel	2-3/8"	1-3/4"	3-7/8"
U-9587	Stainless Steel	2-3/4"	1-3/8"	4-5/16"
U-9588	Stainless Steel	2-3/4"	1-3/4"	4-5/16"

Lock & Door Reinforcer

Contents: Solid brass or stainless steel door channel, (2) #10 x 1" combo screws, (2) #10-32 hex nuts, (4) #8 x 5/8" Phillips truss head screws.

Description: Reinforces and repairs doors; assists in preventing forced entry; use on wood or metal doors with mortise or drive-in latches; accommodates key-in-knob locksets or deadbolts; easy to install.

You may wish to stock these related parts: **U-9426, U-9555, U-9556, U-9558, U-9564 and U-9565.**

Standard Pack: 4/box

- Used to secure door when installing locksets.
- Improve integrity of jamb with a security strike.
- Repairs split or damaged doors.
- Solid brass or stainless steel.

Part No.	Finish	Backset	Door Thickness	Reinforcer Width
U-9540	Brass	2-3/8"	1-3/8"	3-7/8"
U-9541	Brass	2-3/8"	1-3/4"	3-7/8"
U-9542	Brass	2-3/4"	1-3/4"	4-5/16"
U-9551	Stainless Steel	2-3/8"	1-3/4"	3-7/8"
U-9552	Stainless Steel	2-3/4"	1-3/4"	4-5/16"

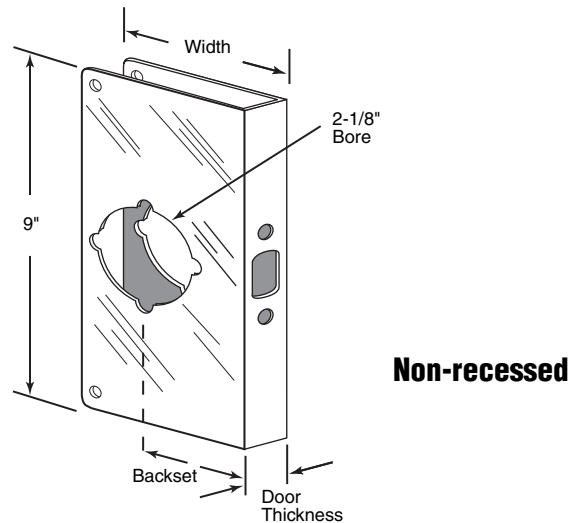
Lock & Door Reinforcer

Contents: Solid brass or stainless steel door channel, (2) #10 x 1" combo screws, (2) #10-32 hex nuts, (4) #8 x 5/8" Phillips truss head screws.

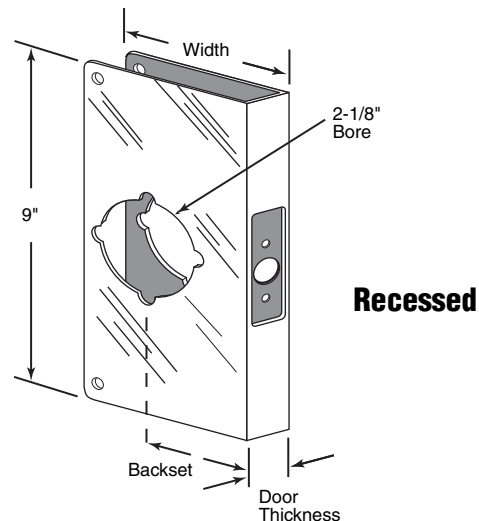
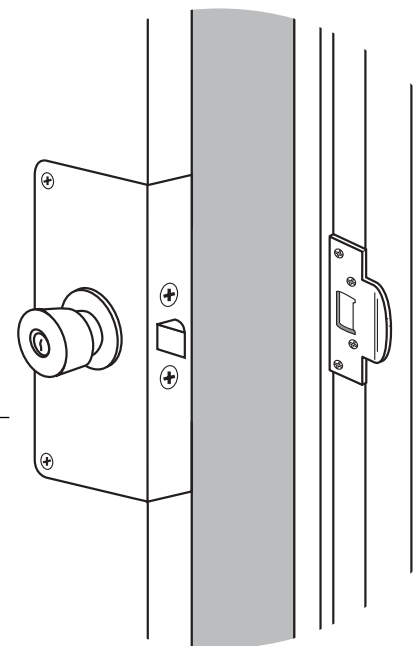
Description: Reinforces and repairs doors; assists in preventing forced entry; use on wood or metal doors with mortise or drive-in latches; accommodates key-in-knob locksets or deadbolts; easy to install.

You may wish to stock these related parts: **U-9426, U-9543, U-9544, U-9545, U-9553 and U-9554.**

Standard Pack: 4/box



Non-recessed

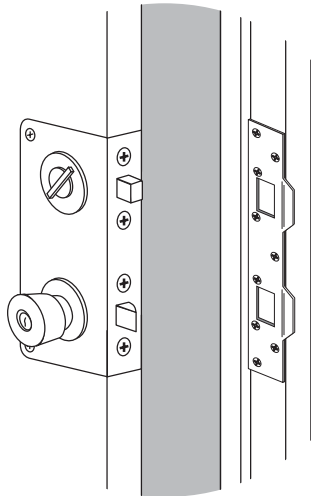
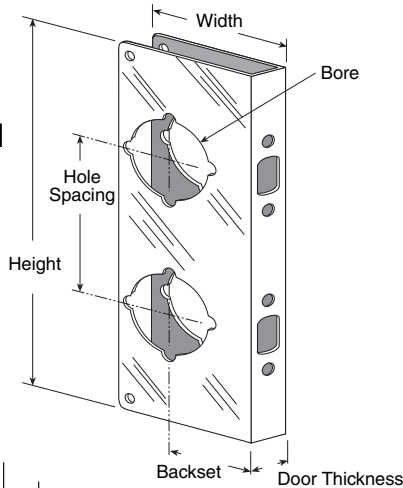


Recessed

Lock & Door Reinforcers

Part No.	Finish	Bore	Backset	Hole Spacing	Door Thickness	Reinforcer Width	Reinforcer Height
U-9537	Brass	2-1/8"	2-3/8"	5-1/2"	1-3/4"	3-7/8"	10-7/8"
U-9559	Brass	2-1/8"	2-3/8"	3-5/8"	1-3/8"	3-7/8"	9"
U-9560	Brass	2-1/8"	2-3/8"	3-5/8"	1-3/4"	3-7/8"	9"
U-9561	Brass	2-1/8"	2-3/4"	3-5/8"	1-3/4"	4-5/16"	9"
U-9577	Antique Brass	2-1/8"	2-3/8"	3-5/8"	1-3/4"	3-7/8"	9"
U-9594	Stainless Steel	2-1/8"	2-3/8"	3-5/8"	1-3/4"	3-7/8"	9"
U-9595	Stainless Steel	2-1/8"	2-3/4"	3-5/8"	1-3/4"	4-5/16"	9"
U-9977	Brass	1-1/2" & 2-1/8"	2-3/4"	6"	1-3/4"	4-5/16"	10-7/8"

Non-recessed



Combination Lock & Door Reinforcer

Contents: Solid brass or stainless steel door channel, (4) #10 x 1" combo screws, (4) #10-32 hex nuts, (4) #8 x 5/8" Phillips truss head screws.

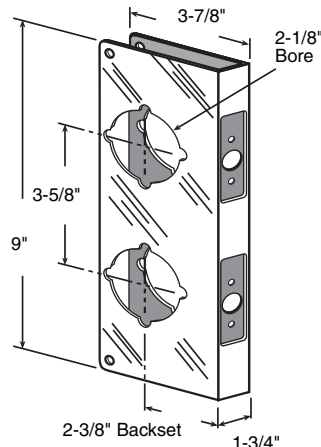
Description: Reinforces and repairs doors; assists in preventing forced entry; use on wood or metal doors with mortise or drive-in latches; accommodates key-in-knob locksets and deadbolts or combination locksets; easy to install.

You may wish to stock these related parts: **U-9427, U-9480, U-9547, U-9548, U-9555 and U-9556.**

Standard Pack: 4/box

- Used to secure door when installing combination lockset and deadbolt.
- Improve integrity of jamb with security strike(s).
- Repairs split or damaged doors.
- Solid brass or stainless steel.

Recessed



U-9546 (Brass)

Combination Lock & Door Reinforcer

Contents: Solid brass door channel, (4) #10 x 1" combo screws, (4) #10-32 hex nuts, (4) #8 x 5/8" Phillips truss head screws.

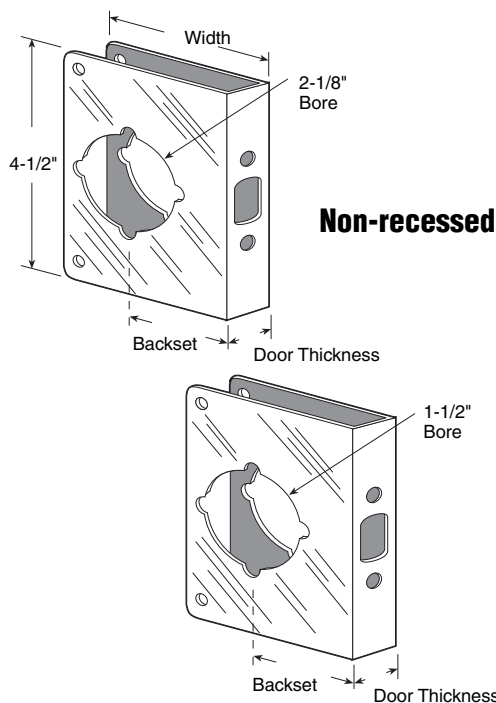
Description: Reinforces and repairs doors; assists in preventing forced entry; use on wood or metal doors with mortise or drive-in latches; accommodates key-in-knob locksets and deadbolts or combination locksets; easy to install.

You may wish to stock these related parts: **U-9427, U-9540, U-9541, U-9551 and U-9553.**

Standard Pack: 4/box

Lock & Door Reinforcers

Part No.	Finish	Bore	Backset	Door Thickness	Reinforcer Width
U-9555	Brass	2-1/8"	2-3/8"	1-3/8"	3-7/8"
U-9556	Brass	2-1/8"	2-3/8"	1-3/4"	3-7/8"
U-9558	Brass	2-1/8"	2-3/4"	1-3/4"	4-5/16"
U-9564	Brass	1-1/2"	2-3/8"	1-3/8"	3-7/8"
U-9565	Brass	1-1/2"	2-3/8"	1-3/4"	3-7/8"
U-9978	Brass	1-1/2"	2-3/4"	1-3/4"	4-5/16"
U-9572	Antique Brass	2-1/8"	2-3/8"	1-3/8"	3-7/8"
U-9573	Antique Brass	2-1/8"	2-3/8"	1-3/4"	3-7/8"
U-9575	Antique Brass	2-1/8"	2-3/4"	1-3/4"	4-5/16"
U-9581	Antique Brass	1-1/2"	2-3/8"	1-3/8"	3-7/8"
U-9582	Antique Brass	1-1/2"	2-3/8"	1-3/4"	3-7/8"
U-9589	Stainless Steel	2-1/8"	2-3/8"	1-3/8"	3-7/8"
U-9590	Stainless Steel	2-1/8"	2-3/8"	1-3/4"	3-7/8"
U-9591	Stainless Steel	2-1/8"	2-3/4"	1-3/8"	4-5/16"
U-9592	Stainless Steel	2-1/8"	2-3/4"	1-3/4"	4-5/16"
U-9598	Stainless Steel	1-1/2"	2-3/8"	1-3/8"	3-7/8"
U-9599	Stainless Steel	1-1/2"	2-3/8"	1-3/4"	3-7/8"



Lock & Door Reinforcer

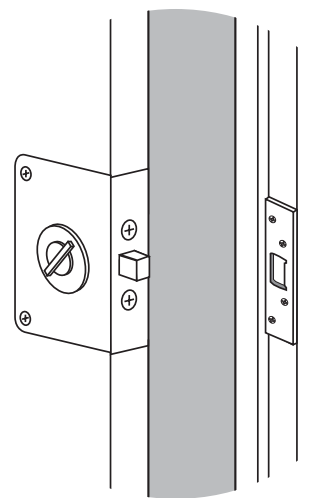
Contents: Solid brass or stainless steel door channel, (2) #10 x 1" combo screws, (2) #10-32 hex nuts, (4) #8 x 5/8" Phillips truss head screws.

Description: Reinforces and repairs doors; assists in preventing forced entry; use on wood or metal doors with mortise or drive-in latches; accommodates key-in knob locksets or deadbolts; easy to install.

You may wish to stock these related parts: **E-2235, E-2285 and E-2292.**

Standard Pack: 4/box

- Used to secure door when installing deadbolts.
- Improve integrity of jamb with a security strike.
- Repairs split or damaged doors.
- Solid brass or stainless steel.



Part No.	Finish	Backset	Door Thickness	Reinforcer Width
U-9543	Brass	2-3/8"	1-3/8"	3-7/8"
U-9544	Brass	2-3/8"	1-3/4"	3-7/8"
U-9545	Brass	2-3/4"	1-3/4"	4-5/16"
U-9553	Stainless Steel	2-3/8"	1-3/4"	3-7/8"
U-9554	Stainless Steel	2-3/4"	1-3/4"	4-5/16"

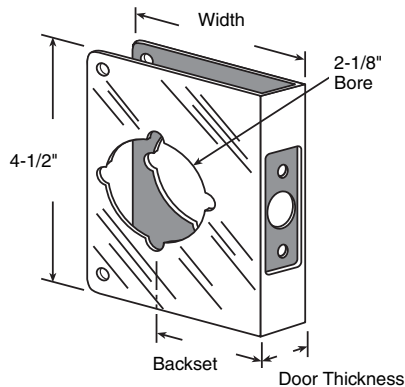
Lock & Door Reinforcer

Contents: Solid brass or stainless steel door channel, (2) #10 x 1" combo screws, (2) #10-32 hex nuts, (4) #8 x 5/8" Phillips truss head screws.

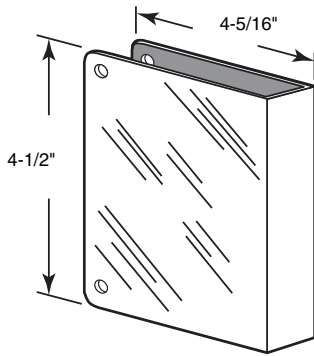
Description: Reinforces and repairs doors; assists in preventing forced entry; use on wood or metal doors with mortise or drive-in latches; accommodates key-in knob locksets or deadbolts; easy to install.

You may wish to stock these related parts: **E-2235 and E-2292.**

Recessed



Standard Pack: 4/box



U-9490
U-9492

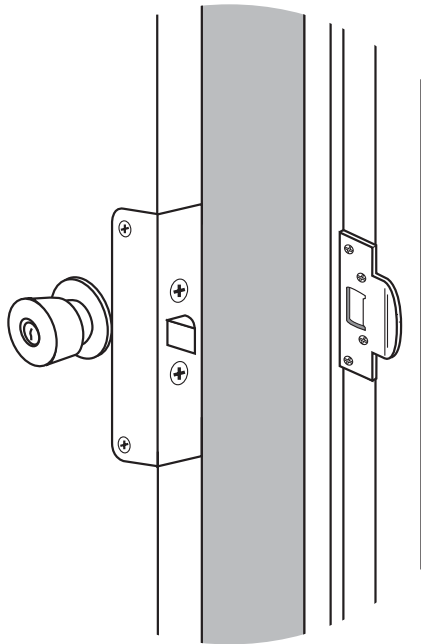
Part No.	Finish	Door Thickness
U-9490	Brass	1-3/4"
U-9492	Stainless Steel	1-3/4"

Blank Reinforcer

Contents: Solid brass or stainless steel door channel; (4) #8 x 5/8" Phillips truss head screws.

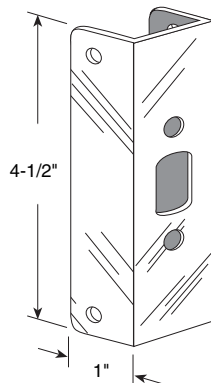
Description: Covers unsightly holes and damage; can be drilled to accommodate specialty locks.

Standard Pack: 4/box



- Used to secure door when installing locksets or deadbolts.
- Improve integrity of jamb with a security strike.
- Repairs split or damaged doors.
- Solid brass or stainless steel.

U-9566
U-9567
U-9583
U-9584
U-9975
U-9976



Part No.	Finish	Door Thickness
U-9566	Brass	1-3/8"
U-9567	Brass	1-3/4"
U-9583	Antique Brass	1-3/8"
U-9584	Antique Brass	1-3/4"
U-9975	Stainless Steel	1-3/8"
U-9976	Stainless Steel	1-3/4"

Door Edge Reinforcer

Contents: Solid brass or stainless steel door channel, (2) #10 x 1" combo screws, (2) #10-32 hex nuts, (4) #8 x 5/8" Phillips truss head screws.

Description: Reinforces and repairs door edge; assists in preventing forced entry; use on wood or metal doors with mortise or drive-in latches; accommodates lockset or deadbolt with any backset; easy to install.

Standard Pack: 4/box

Latch Shields

U-9481 (Aluminum anodized)

U-9482 (Gold anodized)

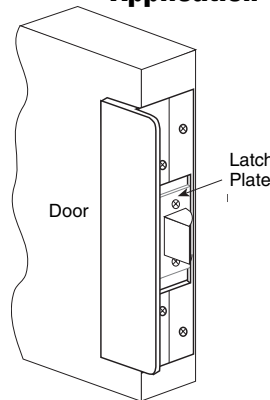
Door Protector (Extruded aluminum)

Contents: Anodized extruded aluminum protector; (4) #6 x 1" Phillip flat head screws

Description: Secures against forced entry; **used on inswing or outswing doors**; requires some mortising, as noted in illustration; mounts to door for outswing application or to door frame for inswing application.

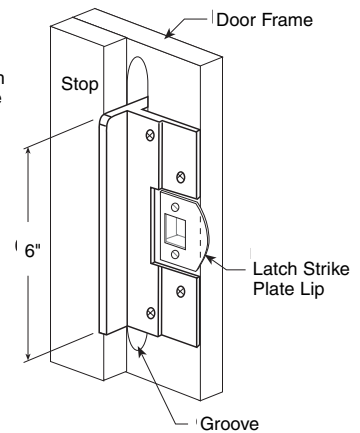
You may wish to stock these related parts: **E-2232, E-2234, U-9486 and U-9488.**

Outswing Application



U-9481
U-9482

Inswing Application



Standard Pack: 6/box

U-9511 (Painted gray - 6")

U-9512 (Brass plated - 6")

U-9513 (Painted gray - 12")

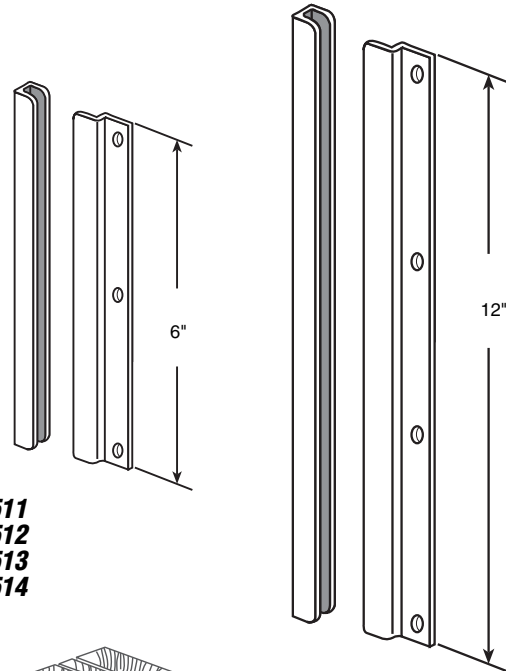
U-9514 (Brass plated - 12")

Latch Shield (Steel)

Contents: Plated or painted steel 2 piece shield (1 door channel and 1 interlocking jamb bar); 3 (4) #10 x 1-1/4" tamper-resistant screws; 2 (4) #8 x 1" Phillips flat head screws and 2 #10 x 3/4" Phillips pan head screws.

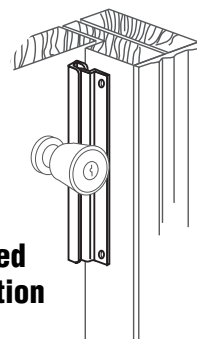
Description: **Use on inswing doors**; interlocking brackets protect against forced entry; may be applied to wood or metal doors; special fasteners include one-way screws; **requires no mortising.**

You may wish to stock these related parts: **U-9422, U-9425, U-9426, U-9486 and U-9532.**

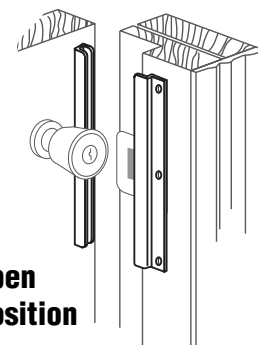


U-9511
U-9512
U-9513
U-9514

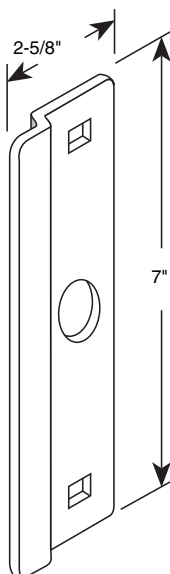
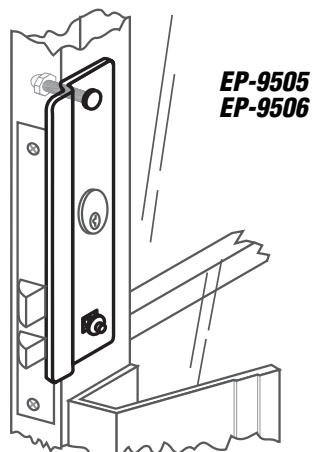
Closed Position



Open Position



Standard Pack: 10/box



EP-9505 (Painted gray - 7")

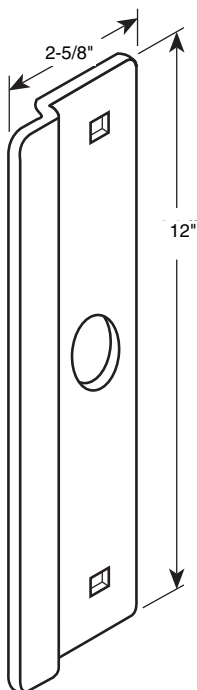
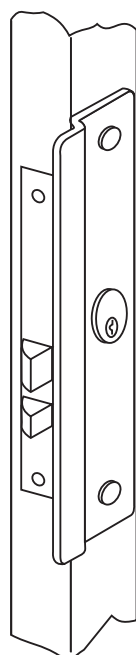
EP-9506 (Painted bronze - 7")

Latch Shield (Poly-bagged)

Contents: Painted steel shield; (1) 5/16" x 2" carriage bolt; cap nut and washer and 1 blind rivet.

Description: For commercial aluminum entrance doors; used with mortise lock installations where handle or push bar prevent shield from spanning lock.

Standard Pack: 6/bag



EP-9507 (Painted gray - 12")

EP-9508 (Painted bronze - 12")

Latch Shield (Poly-bagged)

Contents: Painted steel shield; (2) 5/16" x 2" carriage bolts; washers and cap nuts.

Description: For commercial aluminum entrance doors; used with mortise lock installations to span lock and allow thru-bolt fastening.

Standard Pack: 6/bag

Latch Shields

- U-9500** (Painted gray - 7")
- U-9501** (Painted bronze - 7")
- U-9502** (Brass plated - 7")
- U-9503** (Painted gray - 11")
- U-9504** (Painted bronze - 11")

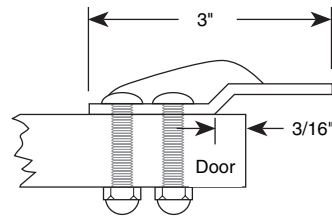
Latch Shield (Steel)

Contents: Painted or plated shield; (2) or (4) 5/16" x 2" carriage bolts; washers and cap nuts.

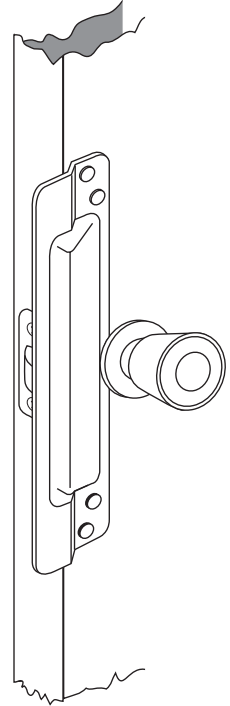
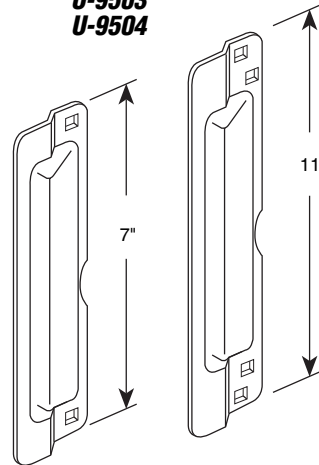
Description: Secures against forced entry; **used on outswing doors**; for residential, commercial and industrial use.

You may wish to stock these related parts: **E-2232, E-2235, U-9422, U-9425 and U-9426.**

Standard Pack: 6/box



**U-9500
U-9501
U-9502
U-9503
U-9504**



- U-9509** (Painted gray - 6")
- U-9510** (Brass plated - 6")

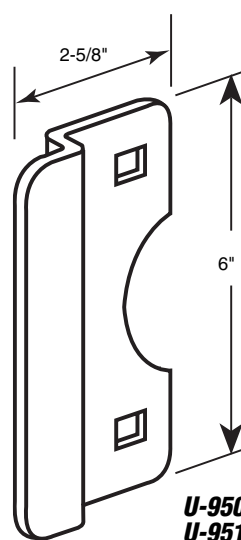
Latch Shield (Steel)

Contents: Painted or plated shield; (2) 5/16" x 2" carriage bolts; washers and cap nuts.

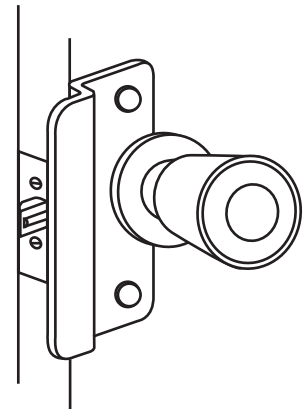
Description: **Used on outswing doors**; designed for use with locksets with 2-3/8" backsets.

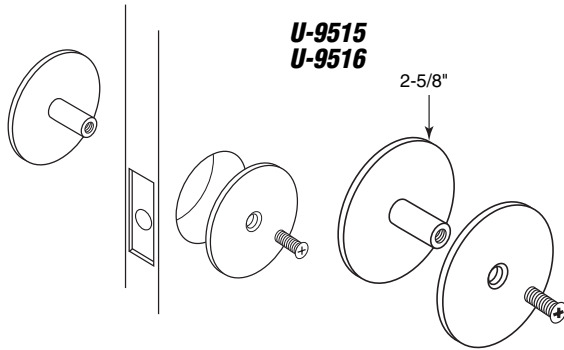
You may wish to stock these related parts: **E-2232, E-2235, U-9422, U-9425 and U-9426.**

Standard Pack: 6/box



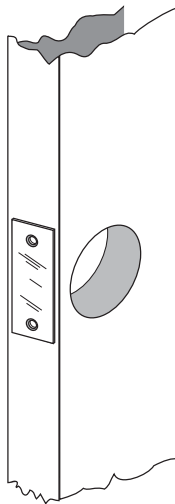
**U-9509
U-9510**





U-9515
U-9516

2-5/8"



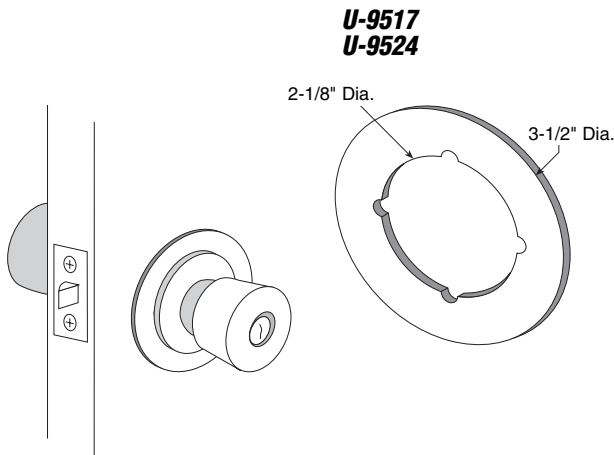
EP-9520
EP-9521

2-1/4"

1"

2-1/4"

1-1/8"



U-9517
U-9524

2-1/8" Dia.

3-1/2" Dia.

U-9515 (Painted gray)

U-9516 (Brass plated)

Hole Cover (Steel)

Contents: Painted or plated cover (2 pieces); (1) #10 x 1" and (1) #10 x 1-1/2" machine screw.

Description: Covers 1/2" to 2-1/8" holes; helps maintain entry security; fits doors to 1-3/4" thick.

You may wish to stock these related parts: **EP-9520**, **EP 9521**, **U-9517** and **U-9521**.

Standard Pack: 6/box

EP-9520 (1" wide)

EP-9521 (1-1/8" wide)

Door Edge Filler Plate (Poly-bagged)

Contents: Painted gray steel filler plate with (2) #8-32 x 1/2" flat head machine screws.

Description: Fills latch face cut-outs for either residential or commercial applications.

Standard Pack: 6/bag

U-9517 (Nickel plated)

U-9524 (Satin brass plated)

Cover Plate (Steel)

Contents: 2 plated covers.

Description: Use with 2-1/8" bore locks; covers marred doors; allows conversion of 2-3/8" to 2-3/4" backset (or 2-3/4" to 2-3/8").

You may wish to stock these related parts: **EP-9520**, **EP 9521**, **U-9515** and **U-9516**.

Standard Pack: 6/box

Window Security

U-9800 (Aluminum finish)

U-9801 (Black finish)

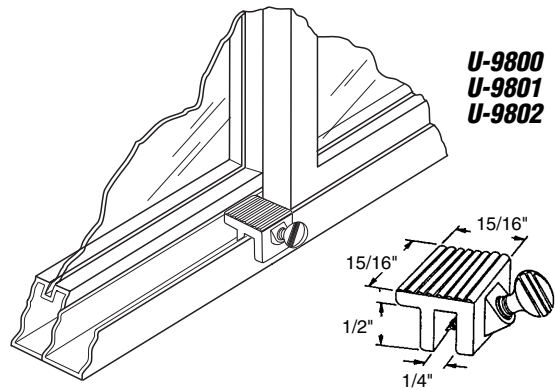
U-9802 (White finish)

Thumbscrew Lock

Contents: 2 locks.

Description: Heavy-duty zinc diecast housing with steel thumbscrew; securely locks window in closed or ventilating position; easy to install.

Standard Pack: 6/box



U-9810 (Aluminum finish)

U-9811 (Black finish)

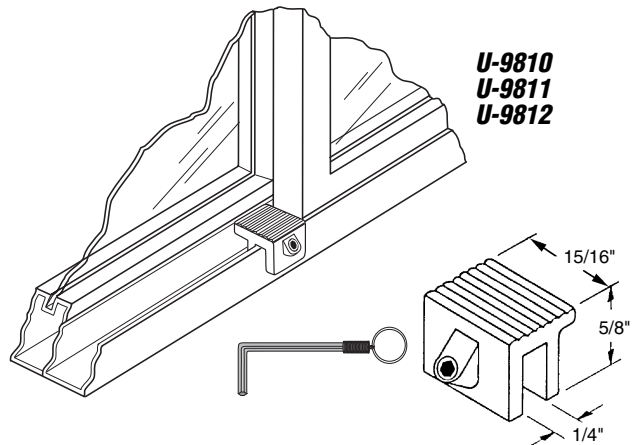
U-9812 (White finish)

Tamper-resistant Lock

Contents: 2 locks & 1 wrench.

Description: Heavy-duty zinc diecast housing with tamper-resistant hex security screw and wrench; securely locks window in closed or ventilating position; prevents accidental opening by children;

Standard Pack: 6/box



U-9820 (Aluminum finish)

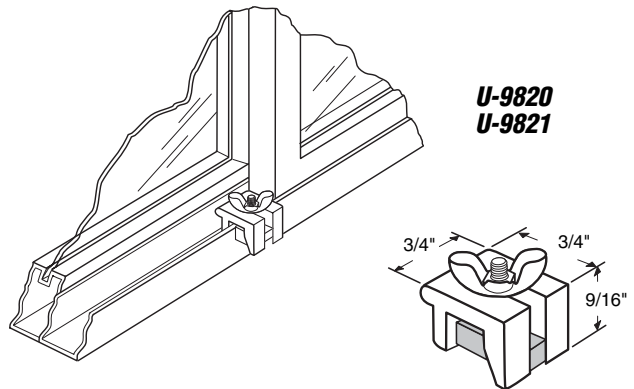
U-9821 (White finish)

No-mar Lock

Contents: 2 locks.

Description: Extruded aluminum with no-mar vinyl insert to protect track; fits wide and narrow type tracks; securely locks window in closed or ventilating position; easy to install.

Standard Pack: 6/box



U-9980 (Aluminum finish - 2/card)

U-9982 (White finish - 2/card)

CCEP-4348* (Aluminum finish - 4/bag)

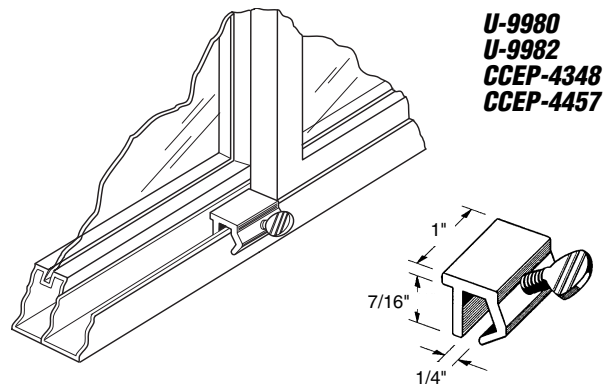
CCEP-4457* (White finish - 4/bag)

Economy Lock

Contents: 2 or 4 locks per package.

Description: Extruded aluminum housing; steel screw; securely locks window in closed or ventilating position; easy to install.

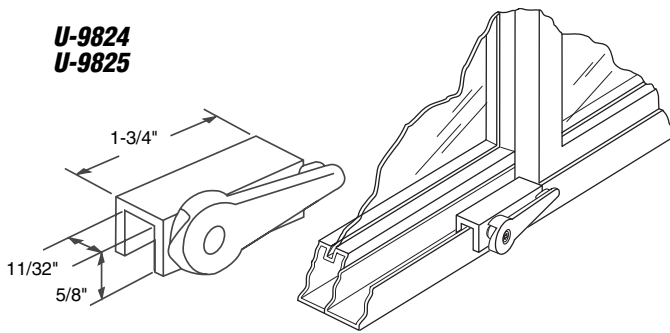
Standard Pack: 6/box



*Special "Value" pack item; merchandised in cut-case box with product and application illustrations; ideal for counter top or gondola base.

**Standard Pack: 100/box*

U-9824
U-9825



U-9824 (Aluminum finish)
U-9825 (White finish)

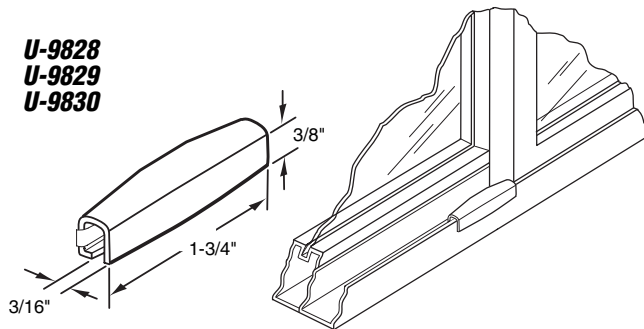
Cam Action Lock

Contents: 1 lock.

Description: Extruded aluminum housing with cam action; securely locks window in closed or ventilating position; **no tools needed** to install; excellent added security when staying in a hotel or motel.

Standard Pack: 6/box

U-9828
U-9829
U-9830



U-9828 (Aluminum finish)
U-9829 (Black finish)
U-9830 (White finish)

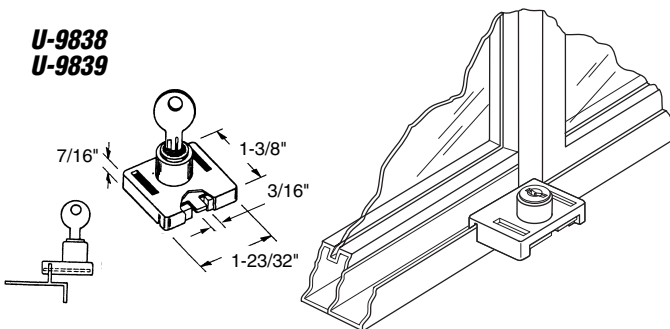
Snap-on Vent Lock

Contents: 2 locks.

Description: Plated and painted steel lock housing; unique "snap-on" device; **no tools required**; excellent for ventilated locking.

Standard Pack: 6/box

U-9838
U-9839



U-9838 (Aluminum finish)
U-9839 (White finish)

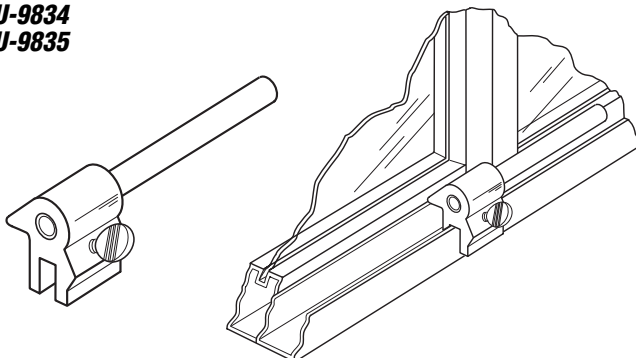
Keyed Lock

Contents: 1 lock & 2 keys.

Description: Painted diecast housing; securely locks window in closed or ventilating position; easy to install.

Standard Pack: 6/box

U-9833
U-9834
U-9835



U-9833 (Aluminum finish)
U-9834 (Black finish)
U-9835 (White finish)

Thumbscrew Bar Lock

Contents: 1 lock.

Description: Extruded aluminum; reversible with anti-lift out bar; securely locks window in closed or ventilating position; easy to install.

Standard Pack: 6/box

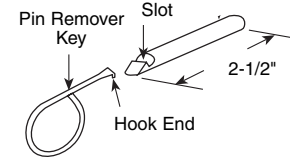
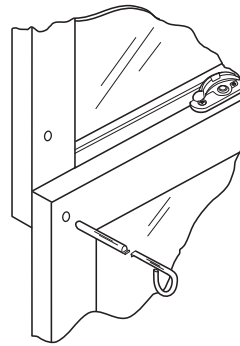
U-9845 (Brass finish)

Wood Sash Pins

Contents: 8 pins & 4 keys.

Description: **Steel pins** lock window in closed or ventilating position; **pin removal key** is needed to unlock; recommended for wood sash; easy to install.

Standard Pack: 6/box



U-9845

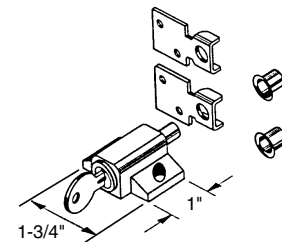
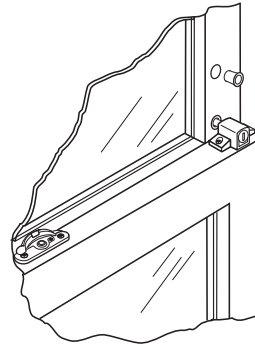
U-9863 (Brass finish)

Keyed Sash Lock

Contents: 1 lock with 2 strikes; 2 ferrules; 2 keys & installation screws.

Description: **Hardened steel bolt** provides push button locking in closed or ventilating position; unlocks only with key; **heavy-duty diecast construction**; recommended for wood sash; easy to install.

Standard Pack: 6/box



U-9863

U-9924 (Brass finish)

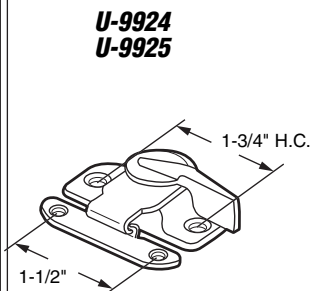
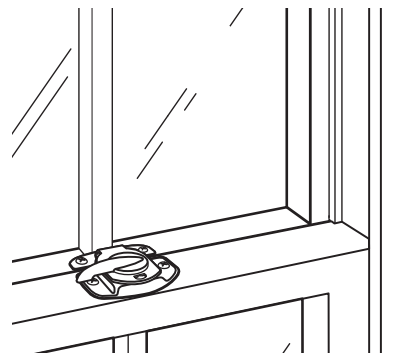
U-9925 (White finish)

Sash Window Lock

Contents: 1 lock; 1 keeper & installation screws.

Description: Cam action sash lock; universal design; **stamped steel construction**.

Standard Pack: 6/box



U-9924
U-9925

U-9927 (Brass finish)

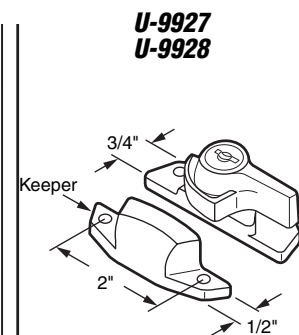
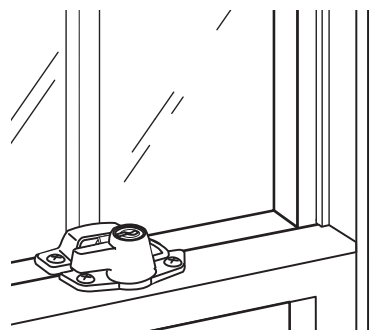
U-9928 (White finish)

Keyed Sash Lock

Contents: 1 latch assembly; 1 keeper; 2 key & installation screws.

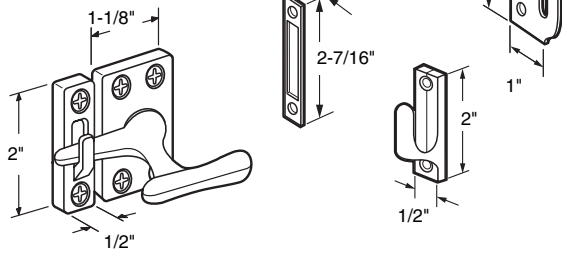
Description: For aluminum, vinyl or wood double hung windows; unlocks only with key; child-proof; **heavy zinc diecast construction**.

Standard Pack: 6/box



U-9927
U-9928

U-9935
U-9936



U-9935 (Brass finish)
U-9936 (White finish)

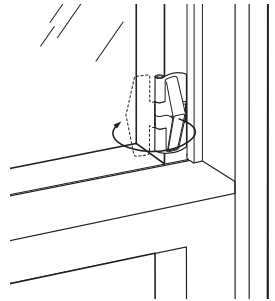
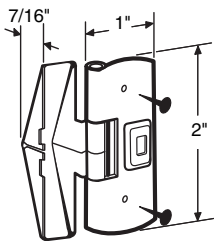
Casement Window Sash Lock

Contents: 1 latch; 3 keeper assortment & installation screws.

Description: Diecast locking handle has 3 different keepers for special mounting applications; used on old style wood casement windows.

Standard Pack: 6/box

U-9938



U-9938 (Brass finish)

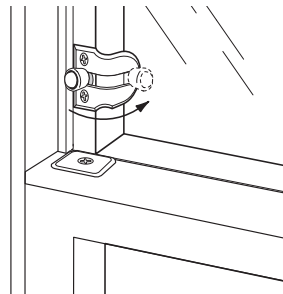
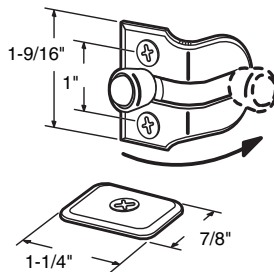
Wood Window Flip Lock

Contents: 2 locks & installation screws.

Description: Flip lock mounts on vertical track; stops window in vent position; wedge flips out of the way to allow opening; **plated steel**.

Standard Pack: 6/box

U-9939



U-9939 (Brass finish)

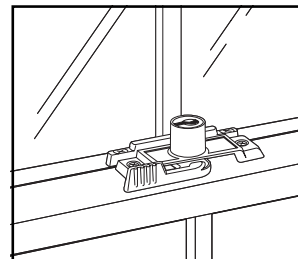
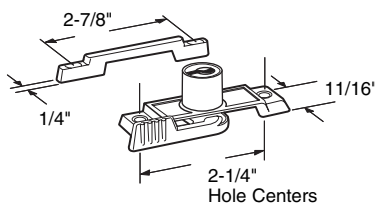
Wood Window Vent Lock

Contents: 2 lock assemblies; 2 strikeplates & installation screws.

Description: Brass plated steel sash locks mount onto the edge of the upper window; sliding stud stops opening at a desired location; allows ventilation but prevents entry; easy to install.

Standard Pack: 6/box

U-9932
U-9933



U-9932 (Brass finish)
U-9933 (White finish)

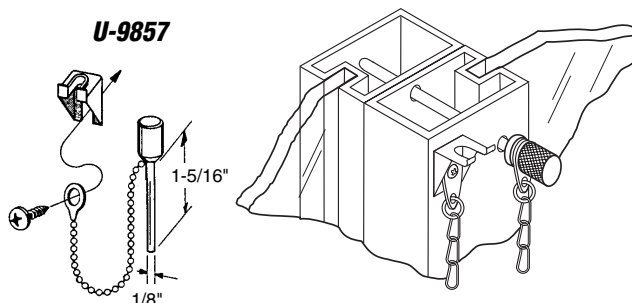
Slim-line Keyed Sash Lock

Contents: 1 lock and keeper; 2 keys and installation screws.

Description: Plated or painted diecast sash lock and keeper; readily adapts to narrow styles; key locks for additional security.

Standard Pack: 6/box

U-9857



U-9857 (Chrome finish)

Window Pin Lock

Contents: 1 pin with chain; holder & installation screws.

Description: Plated, case-hardened steel pin stores in holder when unlocked; securely locks window in closed or ventilating position; prevents sliding and lifting of window.

Standard Pack: 6/box

Patio Door Security

U-9805 (Aluminum finish)

U-9806 (Black finish)

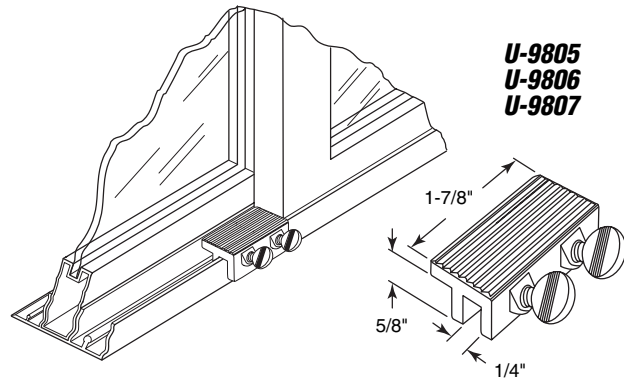
U-9807 (White finish)

Double Thumbscrew Lock

Contents: 1 lock.

Description: heavy-duty cast aluminum with double thumbscrew; additional gripping power securely locks window in closed or ventilating position; easy to install.

Standard Pack: 6/box



U-9815 (Aluminum finish)

U-9816 (Black finish)

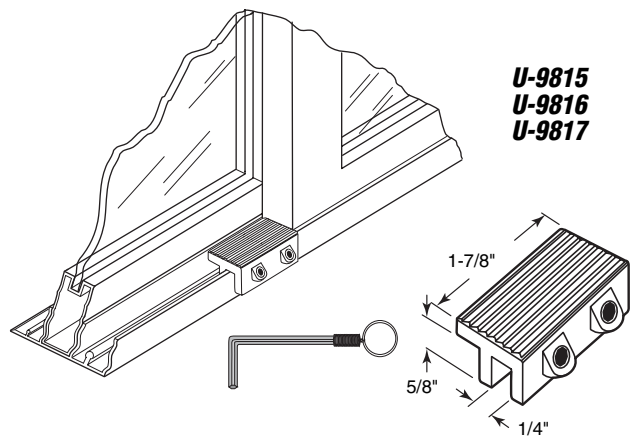
U-9817 (White finish)

Tamper-resistant Lock

Contents: 1 lock & 1 wrench.

Description: Heavy-duty cast aluminum with tamper-resistant double hex security screw and wrench; additional gripping power securely locks window in closed or ventilating position; prevents accidental opening by children; easy to install.

Standard Pack: 6/box



U-9848 (Zinc finish)

U-9849 (Black finish)

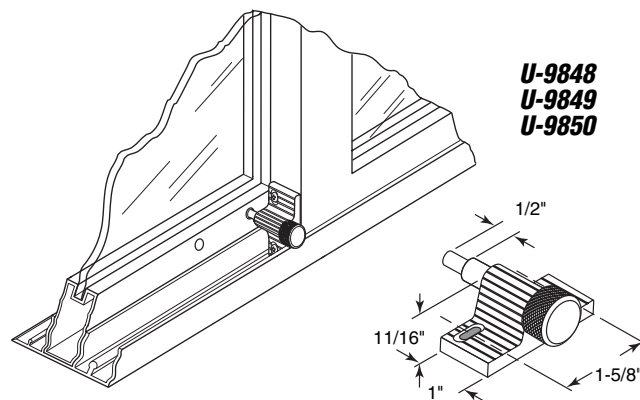
U-9850 (White finish)

Twist-in Lock

Contents: 1 lock & 2 installation screws.

Description: Zinc plated and painted Zamac cast housing with twist-in action; aluminum bolt securely locks door in closed or ventilating position; prevents sliding and lifting of door.

Standard Pack: 6/box



U-9861 (Aluminum finish)

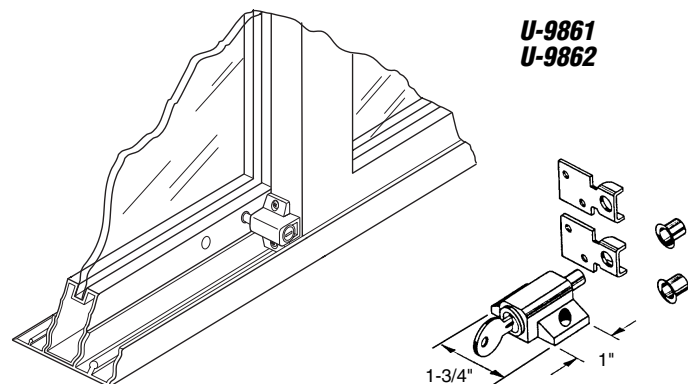
U-9862 (White finish)

Push-in Keyed Lock

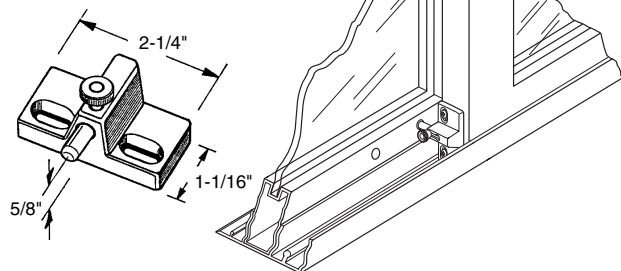
Contents: 1 lock with 2 strikes, 2 ferrules; 2 keys & installation screws.

Description: Painted diecast case with hardened steel bolt for push button locking; unlocks only with key; prevents prying or lifting of door; heavy-duty construction.

Standard Pack: 6/box



U-9866
U-9867



U-9866 (Aluminum finish)
U-9867 (White finish)

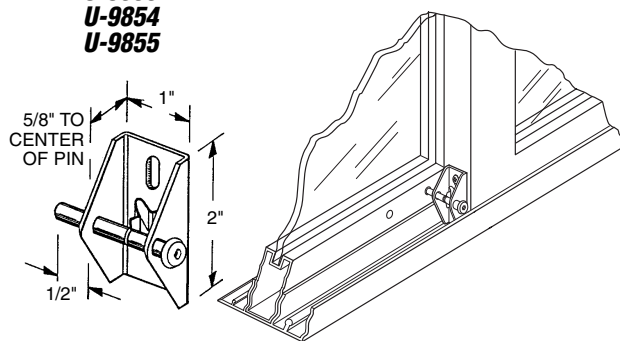
Slide Bolt Lock

Contents: 1 lock & 2 installation screws.

Description: Diecast painted housing with case-hardened steel bolt securely locks door in closed or ventilating position; prevents sliding or lifting of door.

Standard Pack: 6/box

U-9853
U-9854
U-9855



U-9853 (Aluminum finish)
U-9854 (Black finish)
U-9855 (White finish)

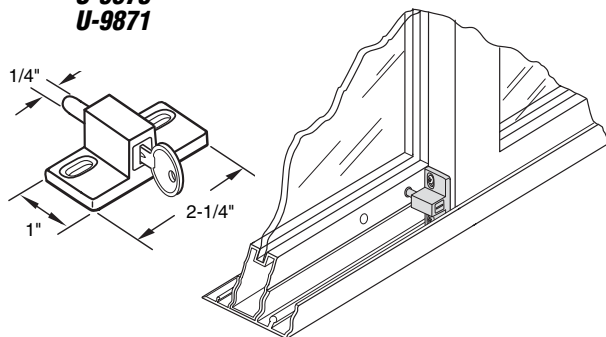
Push/Pull Lock

Contents: 1 lock & 2 installation screws.

Description: Painted heavy gauge steel housing with hardened steel pin; securely locks door in closed or ventilating position; two position push/pull action prevents accidental lockout; also prevents sliding or lifting of door.

Standard Pack: 6/box

U-9870
U-9871



U-9870 (Aluminum finish)
U-9871 (Black finish)

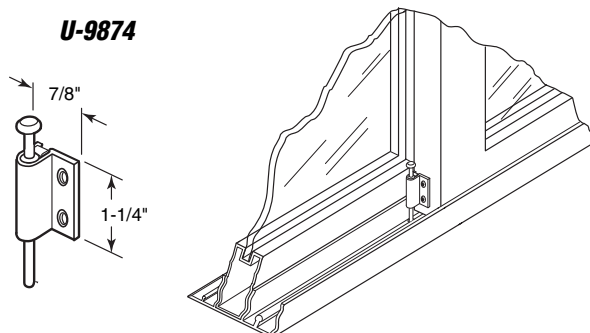
Push-in Keyed Lock

Contents: 1 lock & 2 installation screws.

Description: Painted diecast housing with steel bolt for push button locking; unlocks only with key; prevents prying or lifting of door.

Standard Pack: 6/box

U-9874



U-9874 (White finish)

Push/Pull Lock

Contents: 1 lock & 2 installation screws per card.

Description: Painted diecast housing with steel bolt; securely locks door in closed or ventilating position.

Standard Pack: 6/box

Patio Door Security

U-9877 (Aluminum finish)

U-9878 (Black finish)

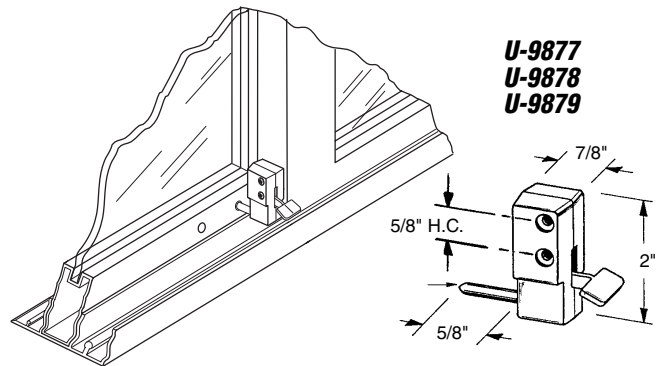
U-9879 (White finish)

Step-on Lock

Contents: 1 lock & installation screws.

Description: Painted **diecast housing** with **hardened steel bolt**; securely locks door in closed or ventilating position; convenient foot operation; easy to install.

Standard Pack: 6/box



U-9882 (Aluminum finish)

U-9883 (Black finish)

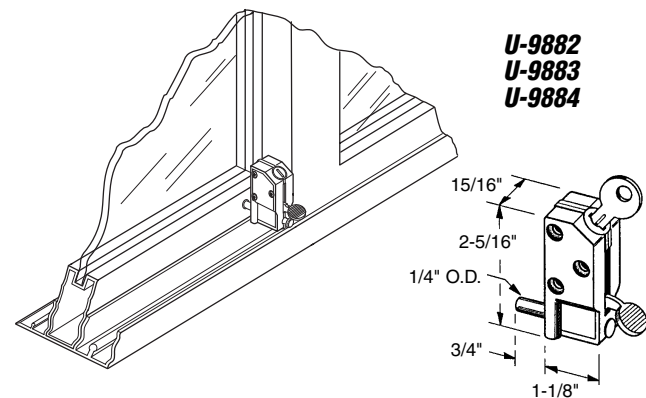
U-9884 (White finish)

Step-on Keyed Lock

Contents: 1 lock with 2 keys & installation screws.

Description: Painted **diecast housing** with **hardened steel bolt**; securely locks door in closed or ventilating position; convenient foot operation of bolt; locks and unlocks with key.

Standard Pack: 6/box



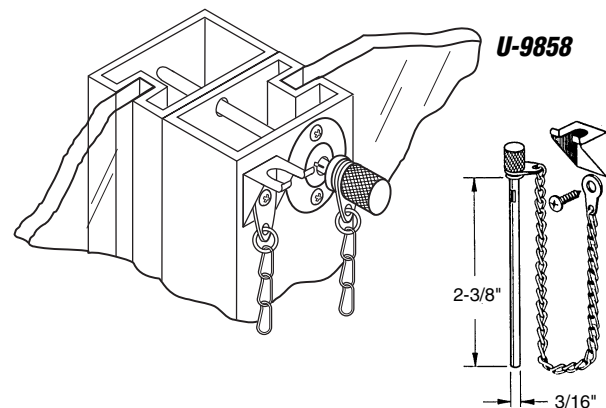
U-9858 (Chrome finish)

Door Pin with Retaining Ring

Contents: 1 pin with chain; retaining cap; holder & installation screws.

Description: **Plated case-hardened steel pin** locks in retaining ring when engaged, stores in holder when unlocked; securely locks door in closed or ventilating position; prevents sliding and lifting of door.

Standard Pack: 6/box



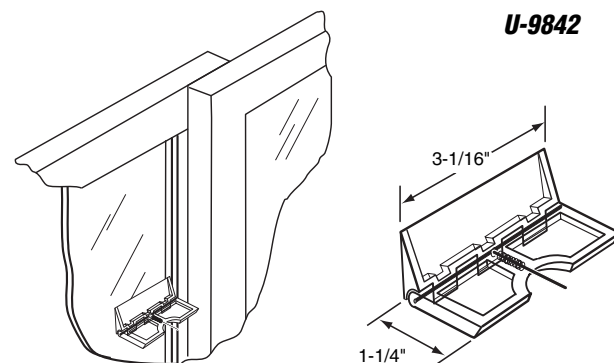
U-9842 (Clear finish)

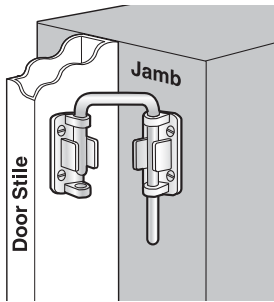
Glass Surface Lock

Contents: 2 locks.

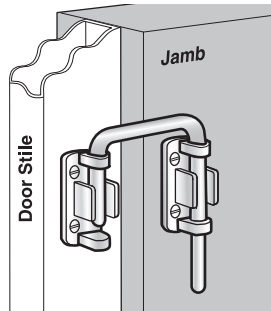
Description: **Clear lucite**; two-piece hinged assembly with spring loaded plunger lock; **clear adhesive backing**; securely locks door in closed or ventilating position; no tools needed to install; inconspicuous when installed.

Standard Pack: 6/box





U-9846



U-9847

U-9846 (Nickel finish - 1-1/8")

U-9847 (Nickel finish - 2-1/8")

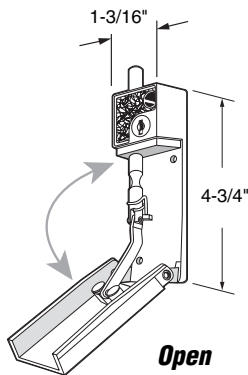
Loop Lock

Contents: Loop lock rod with bracket attached; keeper bracket and installation screws.

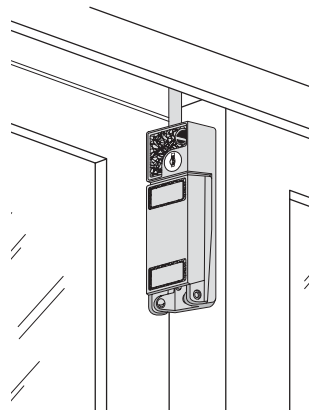
Description: Chrome plated hardened steel locking rod with diecast bracket and keeper; secures door to jamb; two sizes allow flexibility of installation.

Standard Pack: 6/box

U-9997
U-9919



Open



Locked

U-9997 (Aluminum finish)

U-9919 (White finish)

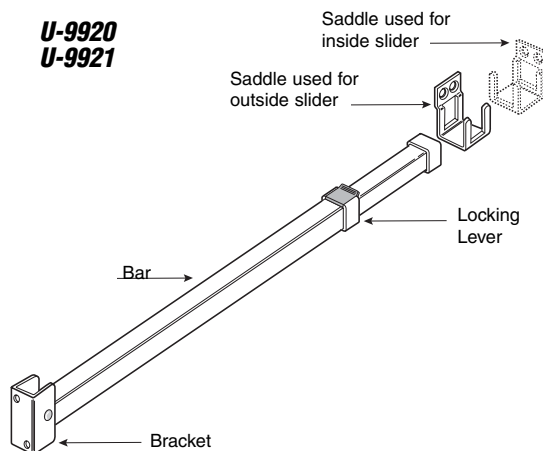
Keyed Bolt Lock

Contents: 1 locking assembly and installation screws.

Description: Painted diecast assembly; throw bolt may be manually locked or key locked; prevents forced entry; may be locked in ventilating position.

Standard Pack: 6/box

U-9920
U-9921



U-9920 (Aluminum finish)

U-9921 (White finish)

Security Bar Lock

Contents: 1 bar; locking saddle & installation screws.

Description: Clear anodized and painted telescopic aluminum bar accommodates 28" to 48" wide inside and outside sliding patio doors; no cutting required; easy to install.

Standard Pack: 6/box

Entry Door Security

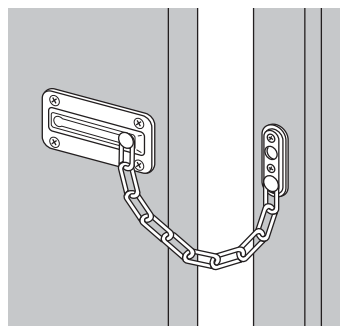
U-9905 (Brass finish)
U-9908 (Chrome finish)

Chain Door Guard

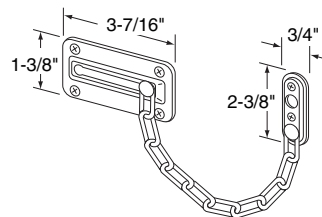
Contents: 1 chain lock with keeper & installation screws.

Description: Plated steel keepers and steel chain secures door while allowing viewing and ventilation; easy to install.

Standard Pack: 6/box



U-9905
U-9908



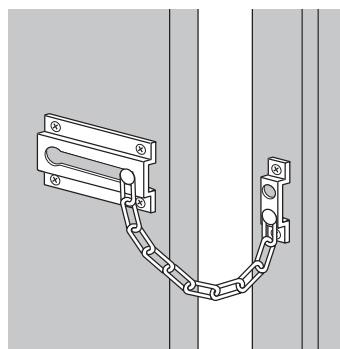
U-9907 (Brass)
U-9909 (Dull chrome)

Chain Door Guard

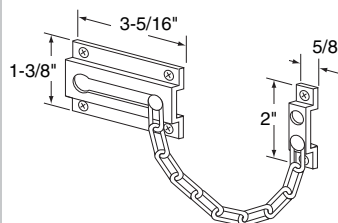
Contents: 1 chain lock with keeper & installation screws.

Description: Solid brass keepers with steel chain secures door while allowing viewing and ventilation; easy to install.

Standard Pack: 6/box



U-9907
U-9909



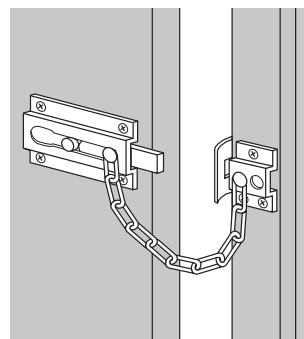
U-9910 (Brass finish - steel with bolt)
U-9911 (Brass finish - solid brass with bolt)

Chain Door Guard (with bolt)

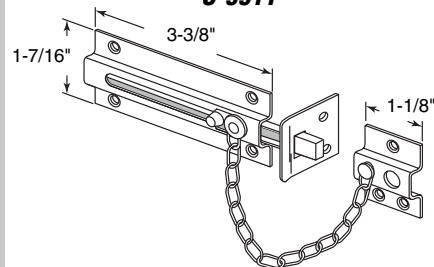
Contents: 1 chain lock with bolt & installation screws.

Description: Use of chain secures door while allowing viewing and ventilation; sliding bolt secures closed door and allows unlocking from inside only.

Standard Pack: 6/box



U-9910
U-9911



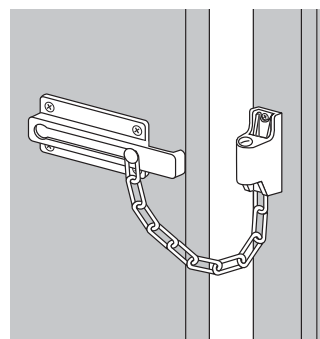
U-9912 (Brass finish)

Chain Door Guard (keyed)

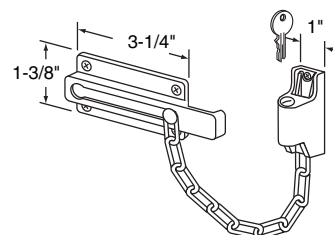
Contents: 1 chain lock; 2 keys & installation screws.

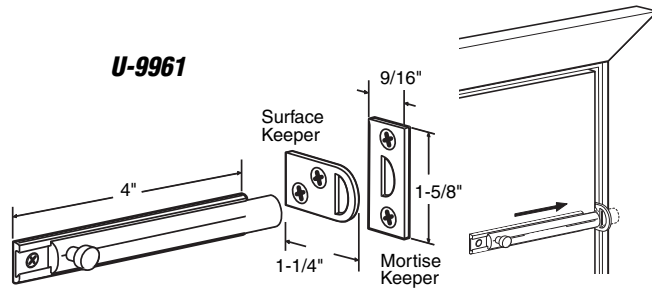
Description: Plated steel chain and diecast keepers secures door while allowing viewing and ventilation; can be unlocked with key from outside or inside; bolt slides into keyed mechanism to lock.

Standard Pack: 6/box



U-9912





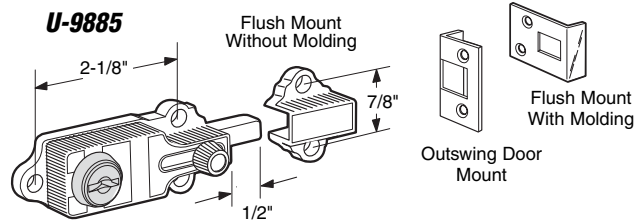
U-9961 (Solid brass)

4" Surface Bolt

Contents: 1 slide bolt; 2 keepers and installation screws.

Description: Slide bolt surface mounts to face of door; two keepers allow for surface or mortise frame installation.

Standard Pack: 6/box



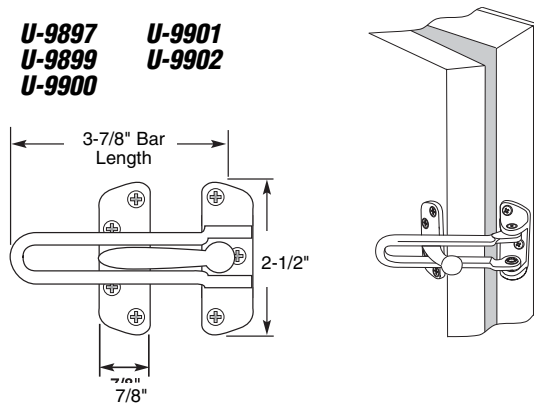
U-9885 (Brass finish)

Keyed Deadbolt Lock

Contents: 1 lock; 3 keepers and installation screws.

Description: Plated diecast lock is key locked from inside; 3 keepers offer flexible mounting for both inswing and outswing doors.

Standard Pack: 6/box



U-9897 (Brass finish)

U-9899 (Antique brass finish)

U-9900 (Chrome finish)

U-9901 (Brushed chrome finish)

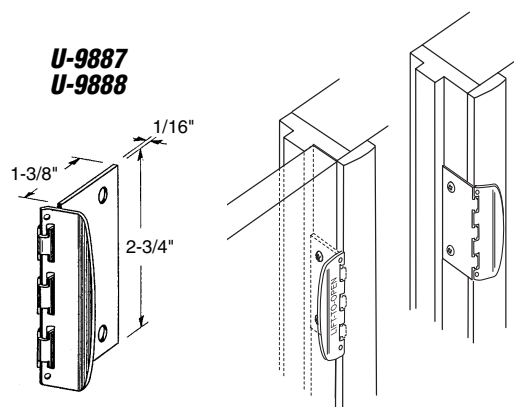
U-9902 (White finish)

Door Guard

Contents: 1 swing loop keeper; 1 bar lock & installation screws.

Description: Plated or painted heavy metal casting secures door while allowing 2" of viewing or ventilation; easy to install.

Standard Pack: 6/box



U-9887 (Brass finish)

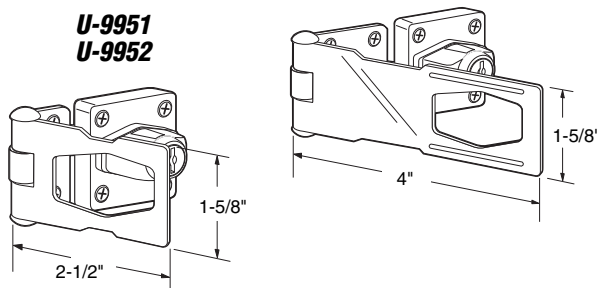
U-9888 (White finish)

Flip Door Lock

Contents: 1 lock & installation screws.

Description: Plated or painted steel privacy lock; flip action to lock or unlock; no mortising required; easy to install.

Standard Pack: 6/box



U-9951 (4")

U-9952 (2-1/2")

Keyed Hasp

Contents: 1 hasp; 1 locking mechanism and installation screws.

Description: Chrome plated steel hasp hinges over diecast locking mechanism; twist keyed knob to lock and use key to unlock; hasp covers screws when in locked position.

Standard Pack: 6/box

Entry Door Security

Part #	Finish	View	Bore Diameter
U-9875	Chrome	180°	1/2"
U-9876	Chrome	190°	9/16"
U-9881	Satin Chrome	190° U.L. Listed	9/16"
U-9891	Brass	200° U.L. Listed	9/16"
U-9892	Brass	190°	1/2"
U-9893	Brass	180°	9/16"

Door Viewer

Contents: 1 viewer.

Description: Solid brass housing; glass and plastic lenses; fits 1-3/8" to 2-1/8" thick wood or metal doors; easy to install; glass lens viewers are **U.L. Listed**.

Standard Pack: 6/box

U-9880 (Satin chrome finish - **U.L. Listed**)

U-9895 (Brass)

U-9983 (Brass - **U.L. Listed**)

Door Viewer (160°)

Contents: 1 viewer.

Description: Solid brass housing; glass and plastic lenses; fits 1-3/8" to 2-1/8" thick wood or metal doors; easy to install; glass lens viewers are **U.L. Listed**.

Standard Pack: 6/box

U-9896 (Brass)

Door Viewer (160°)

Contents: 1 viewer.

Description: Solid brass end caps with diecast threaded housing; glass lens; fits 1-1/2" to 2-1/8" thick wood or metal doors; easy to install.

Standard Pack: 6/box

U-9915 (Gold finish)

U-9916 (Bronze finish)

U-9917 (White finish)

U-9918 (Gray finish)

U-10079 (Vacumm plated - brass)

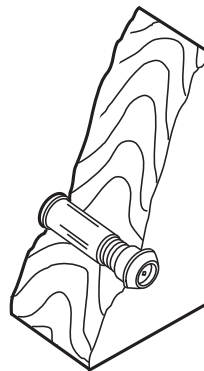
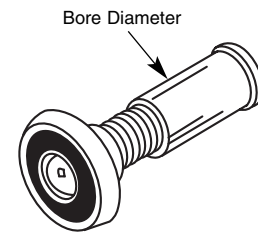
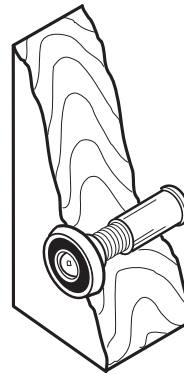
U-10080 (Vacumm plated - chrome)

Door Viewer

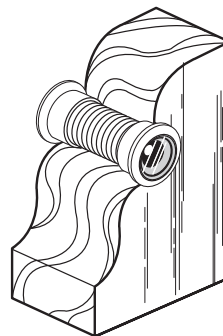
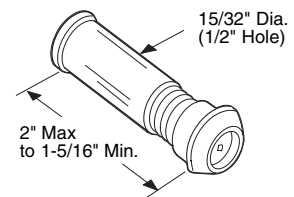
Contents: 1 viewer.

Description: High-impact plastic housing requires 1-3/4" hole; "clear image" prism construction allows arms length viewing with nearly 2" of giant screen viewing; fits 1-3/8" to 2" thick wood or metal doors; prism image is a reversed and mirrored image.

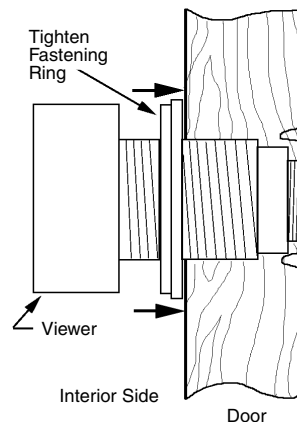
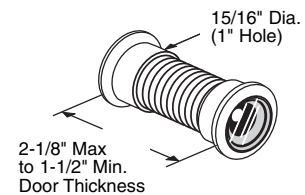
Standard Pack: 4/box



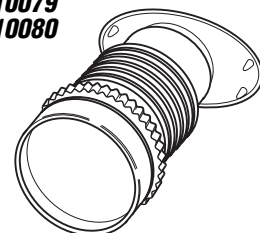
U-9880
U-9895
U-9983

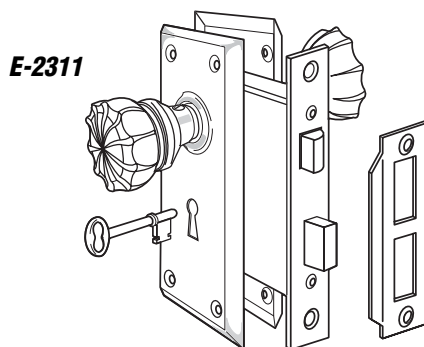
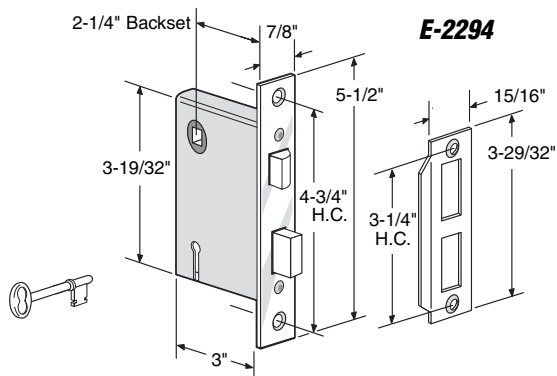
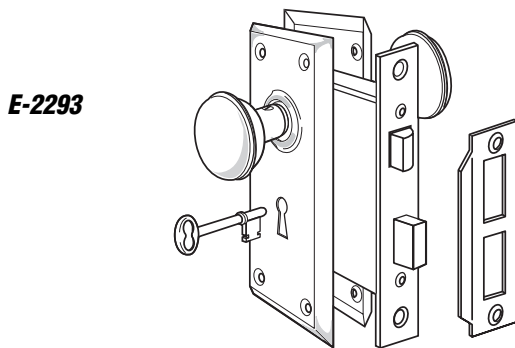
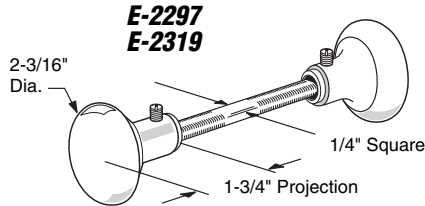
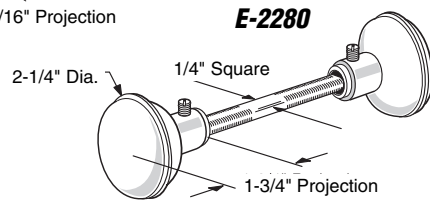
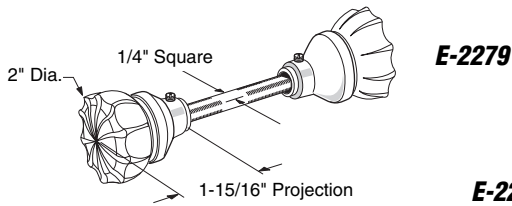


U-9896



U-9915
U-9916
U-9917
U-9918
U-10079
U-10080





E-2279 (Glass-brass plated base - **standard pack:** 6 per box)

E-2280 (Brass plated - steel - **standard pack:** 6 per box)

E-2297 (Brass - **standard pack:** 5 per box)

E-2319 (White painted - steel - **standard pack:** 5 per box)

Knobs

Contents: 2 knobs and 1 spindle.

Description: Glass, brass, brass plated and painted steel knobs as used on various exterior and interior locksets

You may wish to stock these related parts: **E-2282, E-2293, E-2294, E-2295 and E-2311.**

E-2293 (Brass finish)

Mortise Lock Set (Keyed)

Contents: 1 mortise caselock assembly; 2 knobs; 2 trim plates; strike plate and installation screws.

Description: Polished brass finish; case-hardened steel case; lock bolt is key activated both inside and outside.

You may wish to stock these related parts: **E-2280, E-2294, E-2295 and E-2311.**

Standard Pack: 5/box

E-2294

Mortise Lock Assembly (Keyed)

Contents: 1 mortise caselock assembly; strike plate and installation screws.

Description: Mortise caselock with brass plated faceplate; case-hardened steel case; spindle hole accommodates 1/4" to 5/16" square shaft.

You may wish to stock these related parts: **E-2293, E-2295 and E-2311.**

Standard Pack: 6/box

E-2311 (Brass finish - glass handles)

Mortise Lock Set (Keyed)

Contents: 1 mortise caselock assembly; 2 knobs; 2 trim plates; strike plate and installation screws.

Description: Glass knobs with brass plated steel trim plates; case-hardened steel case; lock bolt is key activated both inside and outside.

You may wish to stock these related parts: **E-2279, E-2281, E-2294, E-2295.**

Standard Pack: 6/box

Entry Door Security

E-2282 (2-1/4"- brass finish)

E-2320 (2-1/4"- white finish)

E-2296 (3"- Solid brass)

Door Knob Rosettes

Contents: 2 rosettes & installation screws.

Description: Plated and painted steel rosettes; screw mounted on door; for old style passage locks.

You may wish to stock these related parts: **E-2279, E-2280 and E-2281.**

Standard Pack: 6/box

E-2295 (Brass finish)

Door Escutcheon Plates

Contents: 1 inside and 1 outside escutcheon plate & installation screws.

Description: Brass plated steel plates; repair parts for E-2293.

You may wish to stock these related parts: **E-2293, E-2294 and E-2311.**

Standard Pack: 6/box

E-2317 (Glass knob with brass rosette)

E-2318 (White painted - steel)

E-2321 (Brass)

Passage Door Latch Set

Contents: 1 passage door latch; 1 spindle; 2 knobs; 2 rosettes and installation screws.

Description: Diecast latch; glass, brass and painted steel knobs; plated and painted rosettes; spindle hole accommodates 1/4" to 5/16" square shaft; use as decorative passage latch for 2-3/8" backset applications.

You may wish to stock these related parts: **E-2293, E-2294 and E-2311.**

Standard Pack: 6/box

E-2281 (Brass finish)

Passage Door Latch

Contents: 1 latch & installation screws.

Description: Diecast latch with brass plated face for old style passage doors; accepts 1/4" to 5/16" square shaft.

You may wish to stock these related parts: **E-2279, E-2280, E-2282, E-2296 and E-2297.**

Standard Pack: 6/box

U-9965 (Kwikset keyway)

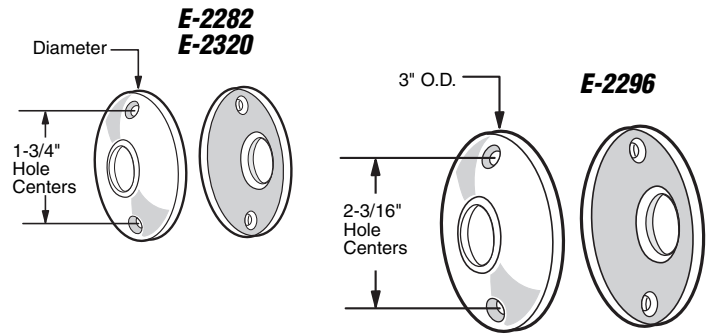
U-9966 (Schlage keyway)

Rim Cylinder Lock (Brass finish)

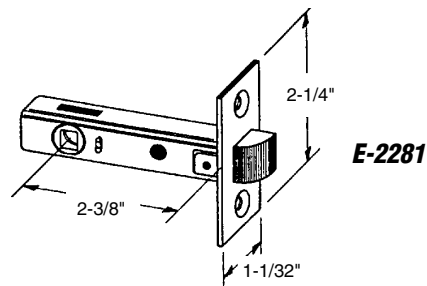
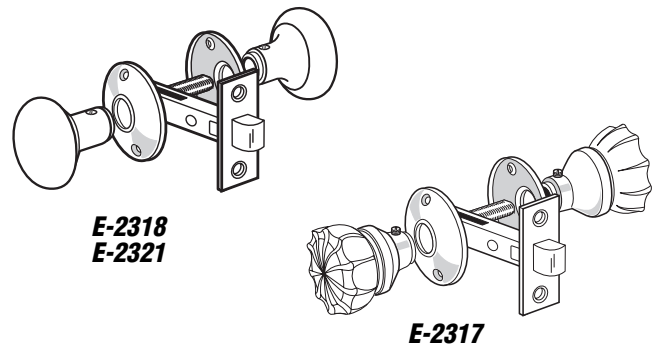
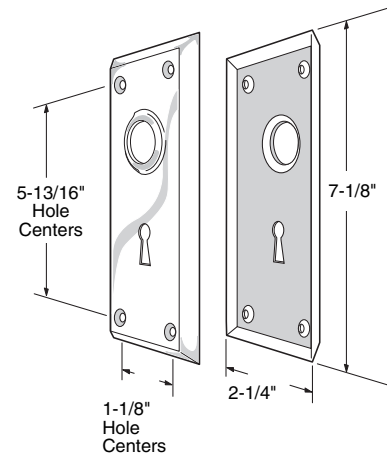
Contents: 1 key cylinder with trim ring and 2 keys; 1 mounting plate and 2 screws.

Description: Heavy-duty zinc diecast housing with brass face and 5 pin tumbler lock.

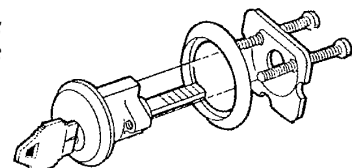
Standard Pack: 6/box

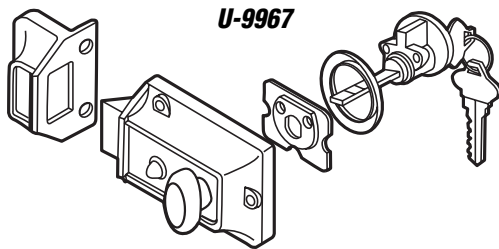


E-2295



U-9965
U-9966





U-9967

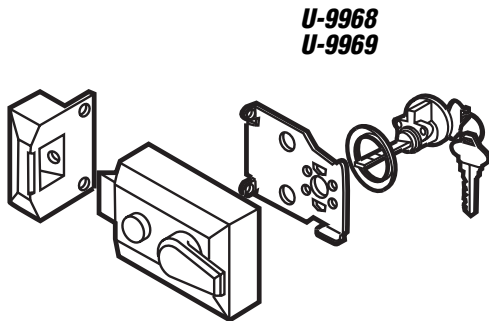
U-9967 (Brass painted finish)

Night Latch & Locking Cylinder

Contents: 1 night latch with locking cylinder and trim ring; 2 keys; 1 mounting plate; 1 keeper and installation screws.

Description: Brass painted diecast locking unit and keeper; hold open feature; spring latch for automatic locking; five pin tumbler cylinder; 1-1/4" bore.

Standard Pack: 5/box



**U-9968
U-9969**

U-9968 (Polished brass finish)

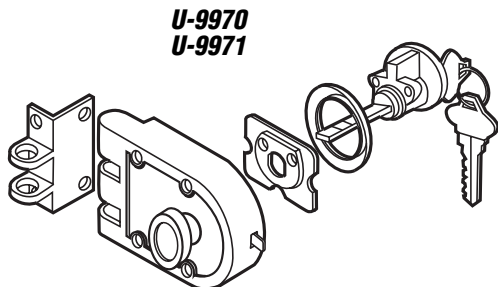
U-9969 (White finish)

Night Latch & Locking Cylinder

Contents: 1 night latch with locking cylinder and trim ring; 2 keys; 1 mounting plate; 1 keeper and installation screws.

Description: Plated and painted diecast locking unit and keeper; contemporary design; hold open feature; spring latch for automatic locking; five pin tumbler cylinder; 1-1/4" bore.

Standard Pack: 5/box



**U-9970
U-9971**

U-9970 (Brass painted finish)

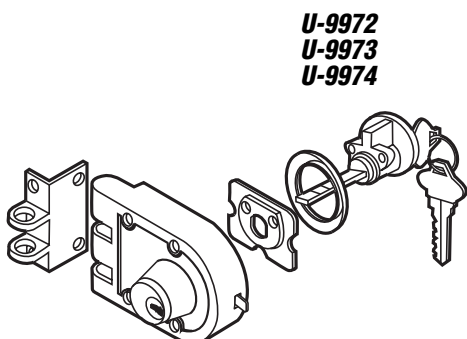
U-9971 (White painted finish)

Jimmy-resistant Deadlock (Single cylinder)

Contents: 1 locking unit with locking cylinder and trim ring; 1 mounting plate; 1 keeper & installation screws.

Description: Painted diecast locking unit and strike; locks door to jamb to prevent forced entry; 5-pin tumbler cylinder; requires a 1-1/4" hole; includes tamper-resistant shutter guard.

Standard Pack: 5/box



**U-9972
U-9973
U-9974**

U-9972 (Brass painted finish)

U-9973 (White painted finish)

U-9974 (Polished brass & black finish)

Jimmy-resistant Deadlock (Double cylinder)

Contents: 1 locking unit with locking cylinder and trim ring; 1 mounting plate; 1 keeper & installation screws.

Description: Painted and plated diecast locking unit and strike; locks door to jamb to prevent forced entry; double cylinder unit is ideal for doors with glass panes or when located next to a glass side lite; 5-pin tumbler cylinder; requires a 1-1/4" hole; includes tamper-resistant shutter guard.

Standard Pack: 5/box

Child Safety

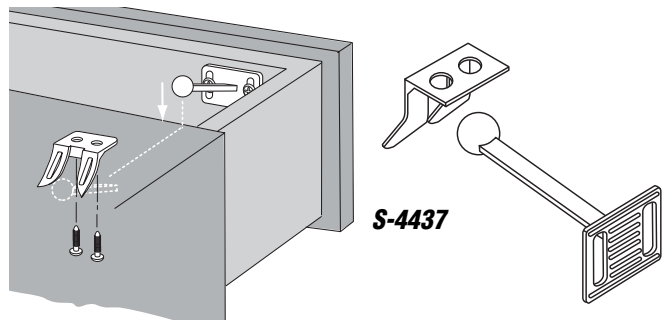
S-4437 (White)

Ball Cabinet Catches

Contents: 2 ball catches; 2 keepers and installation screws.

Description: Plastic catch for use on cabinets and drawers to deter small children's access.

Standard Pack: 6/box



S-4438 (White - 3 pack)

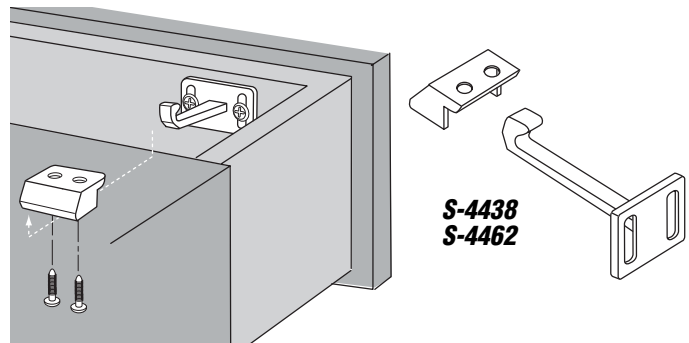
S-4462 (White - 6 piece "Value" pack)

Cabinet Catches

Contents: hook catches; keepers and installation screws.

Description: Plastic catch for use on cabinets and drawers to deter small children's access.

Standard Pack: 6/box



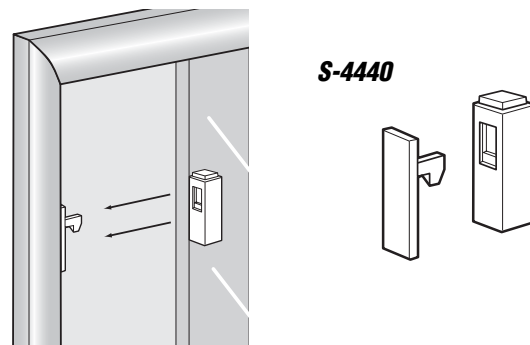
S-4440 (Ivory)

Cabinet Locks

Contents: 2 locks; 2 keepers.

Description: No tools required; plastic lock and keeper have self-adhesive backers; use on sliding cabinet doors.

Standard Pack: 6/box



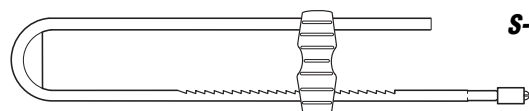
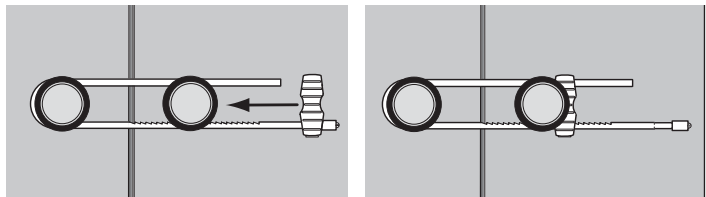
S-4442 (White)

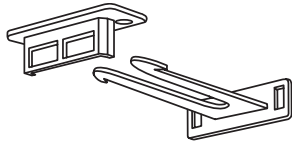
Cabinet Slide Lock

Contents: 2 loop locks and 2 locking mechanisms.

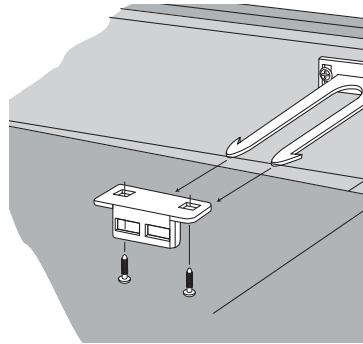
Description: No tools required; plastic lock attaches over knobs or thru pulls on a pair of cabinet doors; ratcheting action holds doors closed; easy removal.

Standard Pack: 6/box





S-4439



S-4439 (White)

Drawer Catches

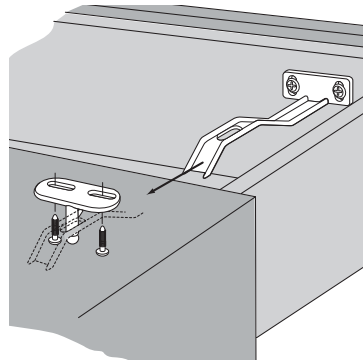
Contents: 3 double hook catches; 3 keepers and installation screws.

Description: Plastic catch allows drawer or cabinet door to open about 1-1/2"; hooks must be compressed to open.

Standard Pack: 6/box



S-4444



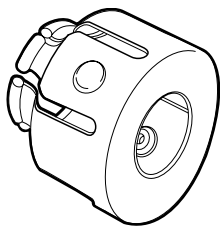
S-4444 (White)

Drawer Catch

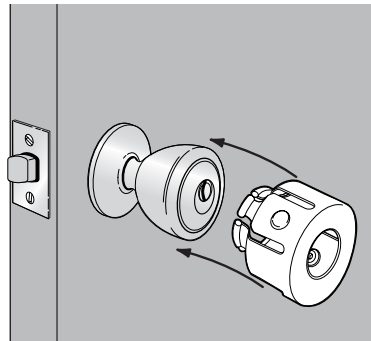
Contents: 3 safety latches; 3 keepers and installation screws.

Description: Plastic catch offers double protection to toddlers; when engaged, this catch limits accessibility and also protects tiny fingers from being pinched if unit is closed accidentally.

Standard Pack: 6/box



S-4441



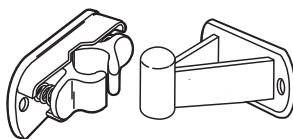
S-4441 (White)

Door Knob Covers

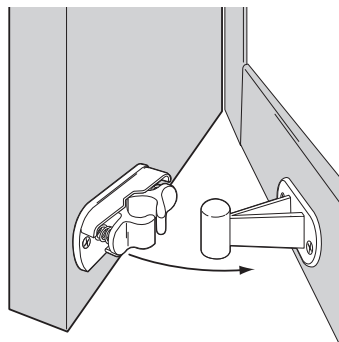
Contents: 2 knob covers.

Description: Plastic covers may be applied over most door knobs to keep toddlers from gaining entry to off-limit areas.

Standard Pack: 6/box



S-4448



S-4448 (Ivory)

Super Grip Door Holder

Contents: 1 clasp; 1 door stop and installation screws.

Description: Plastic door clasp and stop holds door firmly to wall and eliminates unwanted door movement.

Standard Pack: 6/box

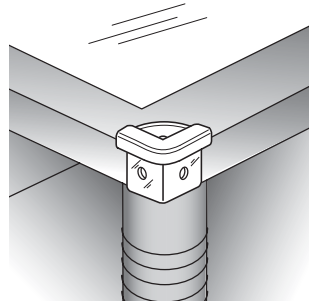
S-4445 (Clear)

Corner Cushions

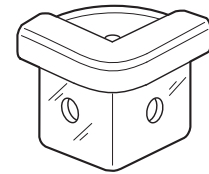
Contents: 4 corner cushions.

Description: Plastic cushions, when applied to sharp corners on furniture, can assist in deterring serious injury to small children; NO TOOLS REQUIRED; self adhesive pads facilitate easy installation.

Standard Pack: 6/box



S-4445



S-4443 (White)

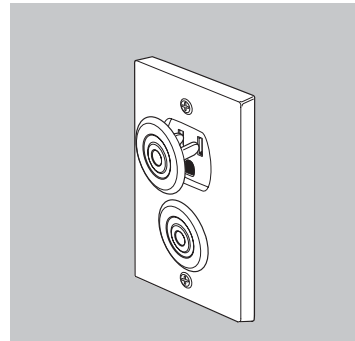
S-4460 (Clear)

Shock Guards

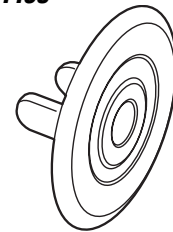
Contents: 12 guards.

Description: No tools required; plastic guards protect tiny fingers or prying objects from causing electrical shock.

Standard Pack: 6/box



S-4443
S-4460



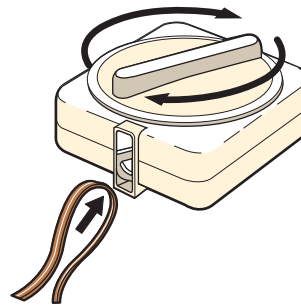
S-4446 (Ivory)

Electrical Cord Shortener

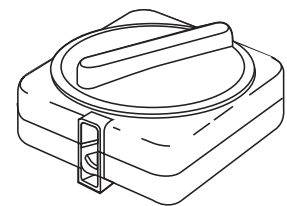
Contents: 1 cord shortener.

Description: Plastic mechanism aids in reducing the chance of tripping over cords by reeling-in excess length.

Standard Pack: 6/box



S-4446



S-4447 (Ivory)

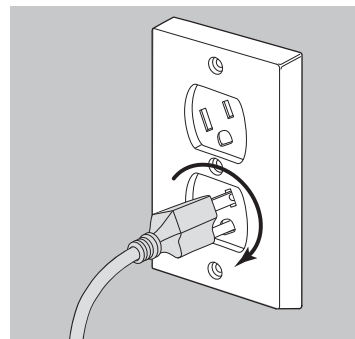
S-4461 (White)

Swivel Outlet Cover

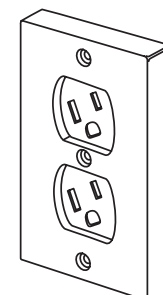
Contents: 1 cover.

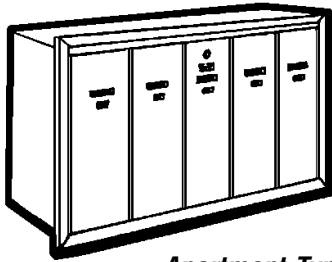
Description: Plastic cover assembly protects tiny fingers or prying objects from causing electrical shock; replaces existing outlet cover and spring loaded plug covers do the rest.

Standard Pack: 6/box

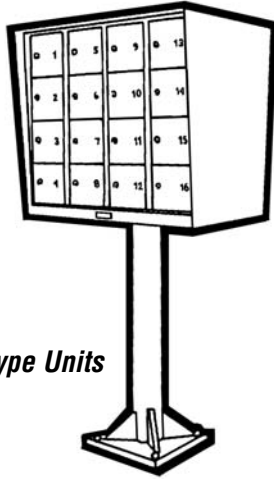


S-4447
S-4461

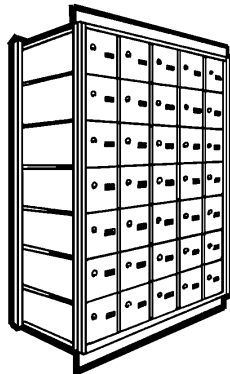




Apartment-Type Units



Cluster-Type Units



Commercial Multi-Units

Part Number	Replacement For This Manufacturer	Finish	Direction of Turn To Open*	Locked Cam Position
S-4048**	1/4" Bolt	Brass	—	—
S-4055	Permabilt	Brass	90° CCW	Left
S-4086**	1/2" Bolt	Brass	—	—
S-4125	Bommer	Nickel	90° CCW	Left
S-4126	Bommer	Nickel	90° CCW	Up
S-4127	Bommer	Nickel	90° CCW	Down
S-4128	Auth Electric	Nickel	90° CCW	Left
S-4129	American Device	Nickel	90° CCW	Left
S-4130	Florence	Nickel	90° CW	Up
S-4131	S.H. Couch	Nickel	90° CW	Up
S-4132	Nutone	Nickel	90° CCW	Left
S-4133	Cutler	Nickel	90° CCW	Left
S-4134	Miami Carey	Nickel	90° CCW	Up
S-4136	Dura-Steel	Nickel	90° CW	Down
S-4137	Jensen General	Nickel	90° CCW	Left
S-4138	Bommer Hook	Nickel	90° CCW	Left
S-4297	Bommer	Nickel	90° CCW	Left
S-4299	Cutler Federal	Nickel	90° CCW	Left
S-4499	Florence	Nickel	90° CCW	Up

* CCW-Counter Clockwise CW-Clockwise

Mail Box Lock

Contents: 1- 5 pin cylinder; 1 clip; 1 cam and 2 keys.

Description: Diecast cylinder with plated face; replaces original equipment manufacturers product.

** Plated stamped steel mechanism with throw-bolt and screws.

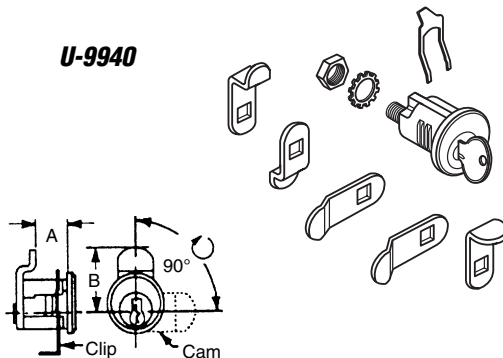
Standard Pack: 6/box

U-9940 (Brass finish)

Mail Box Lock

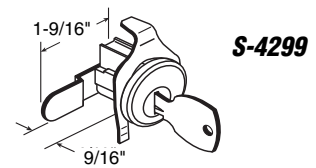
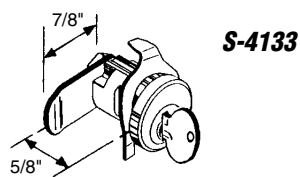
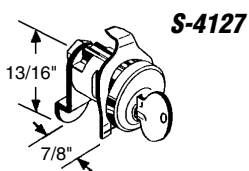
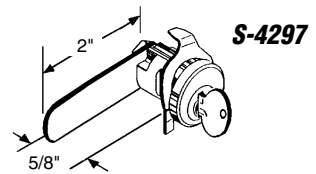
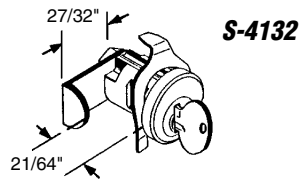
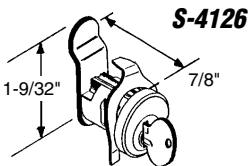
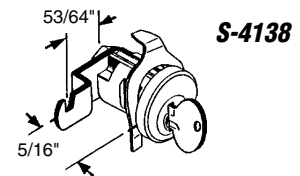
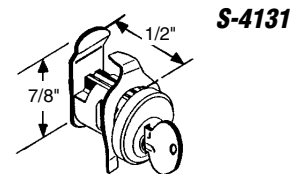
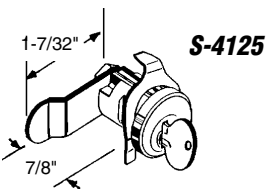
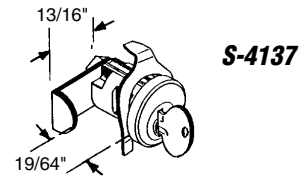
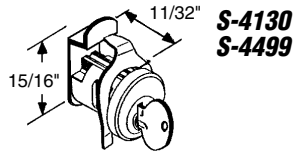
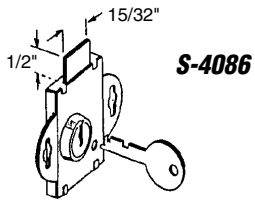
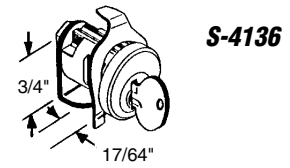
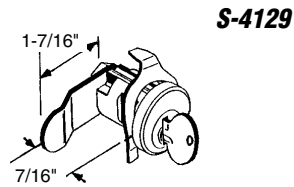
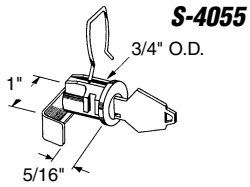
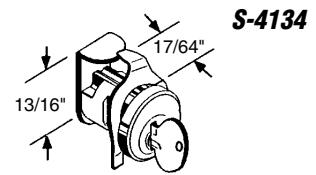
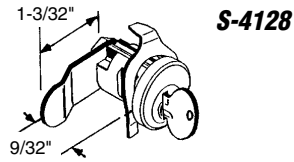
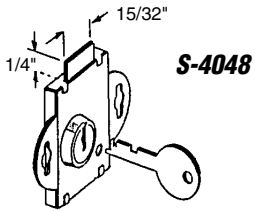
Contents: 1- 5 pin cylinder; 1 clip; 5 cams and 2 keys.

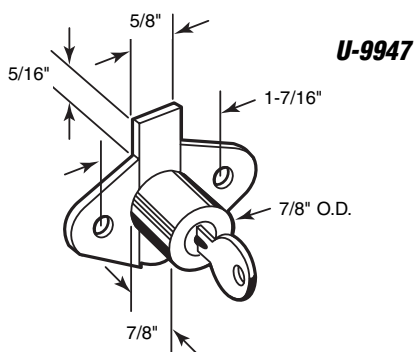
Description: Multi-purpose lock.



Replaces	Dimensions		Turn To Open	Locked Position
	A	B		
American Device	7/16"	1-7/16"	90° CCW	Left
Florence	11/32"	15/16"	90° CCW	Up
Miami-Carey	5/16"	13/16"	90° CCW	Up
Bommer	7/8"	1-7/32"	90° CCW	Down
Auth	9/32"	1-3/32"	90° CCW	Left

Standard Pack: 6/box





U-9947

U-9947 (Brass finish)

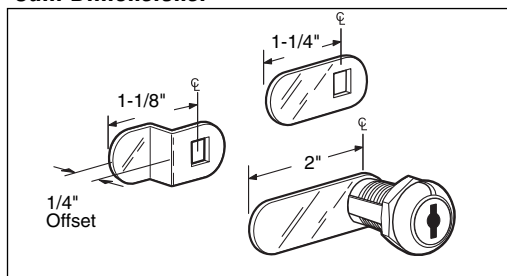
Drawer & Cabinet Lock

Contents: 1 lock; 2 keys and installation screws.

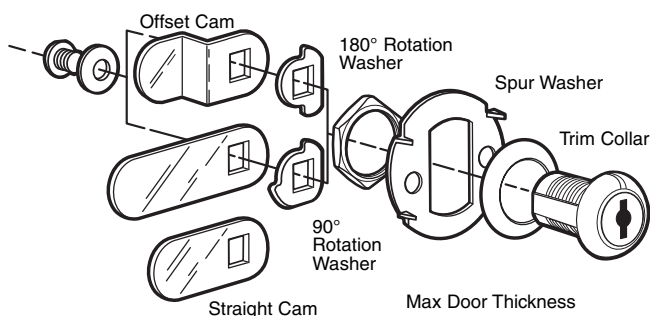
Description: Brass-plated diecast housing; keyed locking unit; fits a 7/8" hole; 5/16" bolt throw.

Standard Pack: 6/box

Cam Dimensions:



- U-9941**
- U-9942**
- U-9943**
- U-9944**
- U-9945**
- U-9946**



U-9941 (Chrome finish - max door thickness 5/16")

U-9942 (Brass finish - max door thickness 5/16")

U-9943 (Chrome finish - max door thickness 9/16")

U-9944 (Brass finish - max door thickness 9/16")

U-9945 (Chrome finish - max door thickness 13/16")

U-9946 (Brass finish - max door thickness 13/16")

Drawer & Cabinet Lock

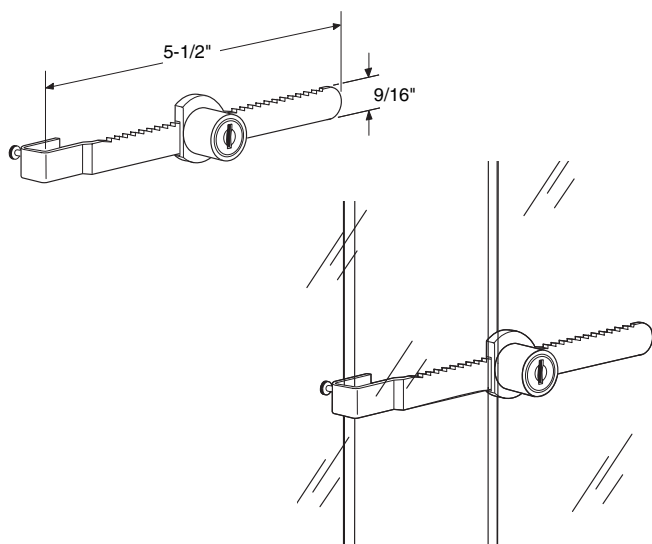
Contents: 1 lock; 2 cams; 1 trim collar; 1 spur washer; 2 rotation washers; 1 lock nut and 2 keys.

Description: Plated diecast housing and steel cams can be mounted to metal or wood door/drawer from 1/4" to 3/4" thick; keyed locking for maximum security.

Standard Pack: 6/box

Keyed Alike (in bulk): Change "U" in part no. to CCEP and add KA, i.e. CCEP-9941KA; **standard pack** is 20 per box.

U-9949



U-9949 (Chrome finish)

Showcase Window Key Lock

Contents: 1 lock; 2 keys; 1 adjustable bar.

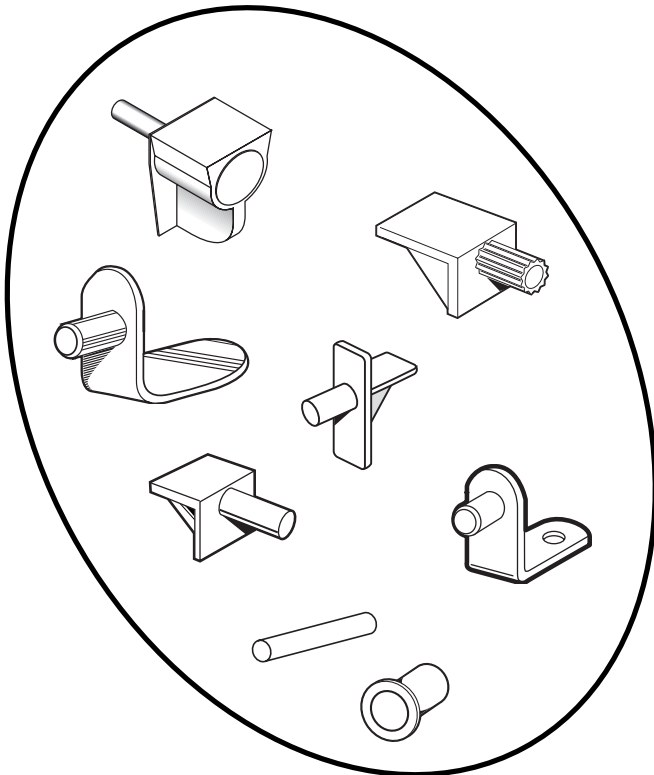
Description: Chrome-plated steel showcase and pass-thru window lock; fits up to 5/16" thick glass; adjustable lock allows for various closing alignments; easy to install.

Standard Pack: 6/box

The following pages include a comprehensive selection of shelf peg styles, colors, finishes and peg diameters.

Actual Peg Diameter

- 3 mm (1/8" approx)
- 4 mm (5/32" approx)
- 5 mm (3/16" approx)
- 1/4"
- 7 mm (9/32" approx)



Shelf Support Pegs (Metal)

Contents: 8 pegs.

Peg Diameter	Finish (Part Number)		
	Brass	Nickel	Black
4 mm	243380	243381	---
5 mm	243388	242158	243389
1/4"	241940*	243363*	243396
7 mm	243393	243395	243394

Description: Spoon style support pegs frequently used in stereo and storage cabinets with glass shelving.

*Econo-pack availability: Call for pack quantities.

241942 (Brass finish)*
241965 (Nickel finish)*

Shelf Support Pegs (Metal)

Contents: 8 pegs.

Description: 5mm diameter peg; screw slot allows shelf to be fastened to peg; frequently used for heavily loaded shelves.

*Econo-pack availability: Call for pack quantities.

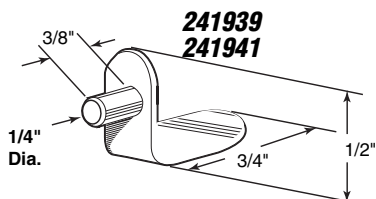
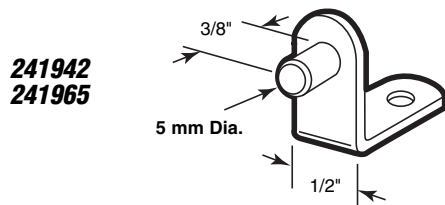
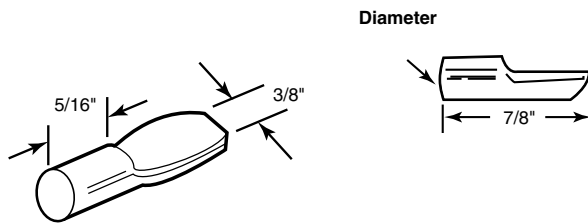
241939 (Brass finish)*
241941 (Nickel finish)*

Shelf Support Peg (Metal)

Contents: 8 pegs.

Description: 1/4" diameter peg; used in stereo and storage cabinets.

*Econo-pack availability: Call for pack quantities.

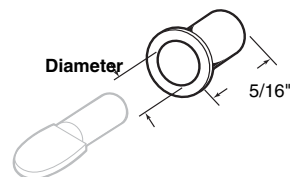


Peg Grommet (Steel)

Contents: 12 pegs.

Peg Diameter	Finish (Part Number)		
	Brass	Black	Nickel
5 mm	243400	243401	243402
1/4"	243397	243398	243399
7 mm	243403	243404	243405

Description: Plated steel grommets provide extra strength to shelf support pegs.



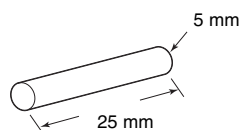
243391 (Brass finish)

243392 (Nickel finish)

Shelf Support Peg (Steel)

Contents: 12 pegs.

Description: Steel support peg; may be used with peg grommets.



243391
243392

243378 (Nickel finish)*

243379 (Brass finish)*

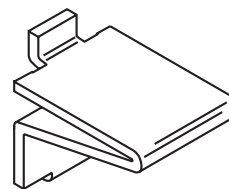
Shelf Bracket (Steel)

Contents: 12 brackets.

Description: Metal brackets fits *Knape & Vogt* and other shelf support systems; designed for use with pilaster style standards.

*Econo-pack availability: Call for pack quantities.

243378
243379

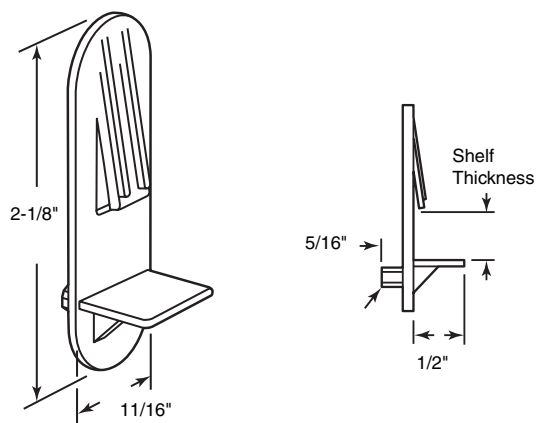


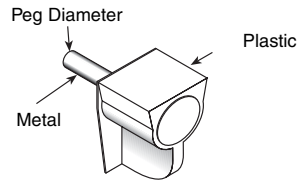
Shelf Support Peg (Plastic)

Contents: 6 pegs.

Peg Diameter	Shelf Thickness	Color	Part No.
5 mm	1/2"	Black	243413
5 mm	1/2"	Clear	243414
5 mm	5/8"	Brown	243417
5 mm	5/8"	Clear	243418
5 mm	3/4"	Brown	243421
5 mm	3/4"	Clear	243422
1/4"	1/2"	Brown	243415
1/4"	1/2"	Clear	243416
1/4"	5/8"	Brown	243419
1/4"	5/8"	Clear	243420
1/4"	3/4"	Brown	243355
1/4"	3/4"	Clear	243423

Description: Self-locking shelf supports hold wood shelving securely in place.





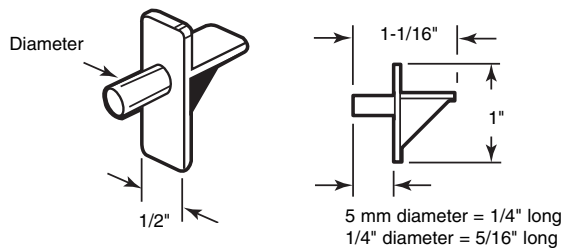
Shelf Support Peg (Plastic with steel peg)

Contents: 8 pegs.

Peg Diameter	Color (Part Number)		
	Clear	Brown	White
3 mm	242159	243382	243383
5 mm	243377*	243373	241943*

Description: Plastic shelf support with steel peg provides added strength.

*Econo-pack availability: Call for pack quantities.



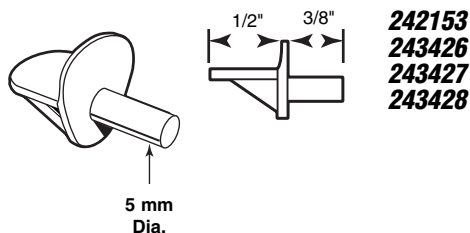
Shelf Support Pegs (Plastic)

Contents: 12 pegs.

Peg Diameter	Color (Part Number)				
	Brown	Clear	White	Almond	Beige
5 mm	243406	243409	243408	243407	---
1/4"	241945*	241946*	242400*	241966*	242157

Description: Plastic construction; used to mount shelving in cabinets and storage compartments.

*Econo-pack availability: Call for pack quantities.

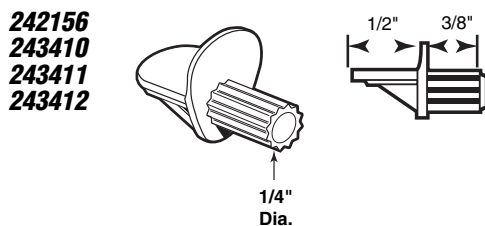


- 242153** (Clear)
- 243426** (Brown)
- 243427** (White)
- 243428** (Almond)

"Mini" Shelf Support Peg (Plastic)

Contents: 12 pegs.

Description: "Mini" style shelf support pegs frequently used in stereo and display cabinets.



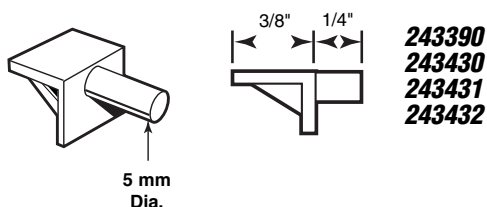
- 242156** (Clear)*
- 243410** (Brown)
- 243411** (Almond)
- 243412** (White)

"Mini" Shelf Support Peg (Plastic)

Contents: 12 pegs.

Description: "Mini" style shelf support pegs frequently used in stereo and display cabinets.

*Econo-pack availability: Call for pack quantities.



- 243390** (White)
- 243430** (Brown)
- 243431** (Clear)
- 243432** (Almond)

"Mini" Shelf Support Peg (Plastic)

Contents: 12 pegs.

Description: "Mini" style shelf support pegs frequently used in stereo and display cabinets.

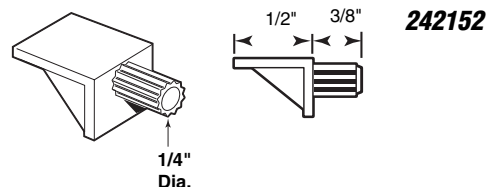
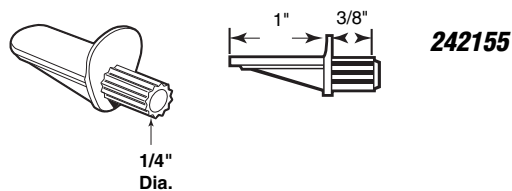
242155
242152*

Shelf Support Pegs (Plastic)

Contents: 12 pegs.

Description: Clear plastic pegs; used to support cabinet shelves.

*Econo-pack availability: Call for pack quantities.



Shelf Peg Hole Plugs

Contents: 48 plugs.

Color (Part Number)

Hole Size	White	Beige	Brown
5 mm	243452	243453	243454
1/4"	243455	243456	243457

Description: Plastic plugs; used to plug 5 mm and 1/4" shelf peg holes in cabinetry, where a finished look is desirable; colors blend with a variety of finishes.



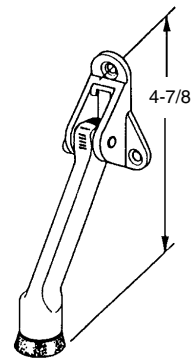
243366 (Brass finish)
243365 (Bronze finish)
243364 (Chrome finish)

Door Holder

Contents: 1 holder; 1 set of installation screws.

Description: Zinc diecast holder with rubber tip; spring loaded to hold in "up" position; good for commercial applications.

243366
243365
243364

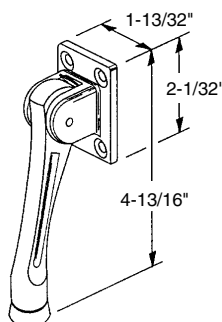


243525 (Brass finish)
243524 (Bronze finish)
243367 (Chrome finish)

Door Holder

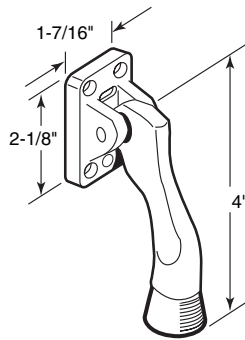
Contents: 1 holder; 1 set of installation screws.

Description: Heavy duty diecast stop with rubber tip; 4 hole mounting; spring loaded; for commercial and residential applications.



243525
243524
243367

242401
242402



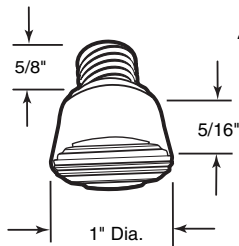
242401 (Aluminum finish)
242402 (Bronze finish)

Door Holder

Contents: 1 holder; 1 set of installation screws.

Description: Heavy cast iron; spring loaded holder with 4 hole mounting; rubber tip; for commercial use.

243368

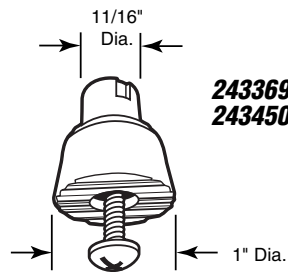


243368 (Black twist-in)
243369 (Black with screw)
243450 (White with screw)

Door Holder Tip

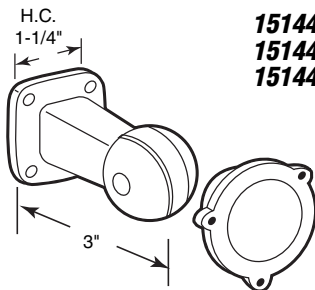
Contents: 2 rubber tips.

Description: Replaces worn out tips on drop down door holders.



243369
243450

151441
151442
151440



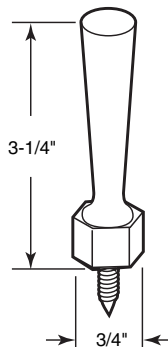
151441 (Ivory)
151442 (Brown)
151440 (White)

Magnetic Door Holder

Contents: 1 holder; 1 retainer; 1 set of installation screws.

Description: Plastic housing with magnetic insert; may be wall or floor mounted; spring loaded retainer mounts to door.

243361
243362
243371



243361 (Ivory)
243362 (Brown)
243371 (White)

Door Stop

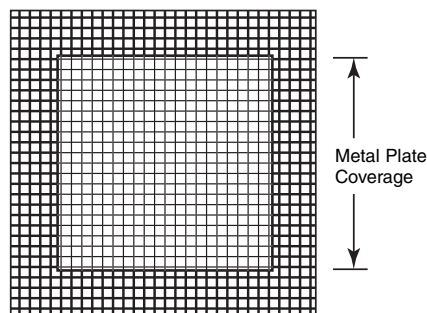
Contents: 3 door stops.

Description: Flexible vinyl stop with steel screw insert; prevents door handle from hitting wall. This unique one-piece construction is commonly used where children or infants play; proven to be much safer than standard spring actuated stops with plastic tips.

"Patch-It" Drywall Repair

Part no.	Coverage	Contents
U-9313	2" x 2"	1 pc.
U-9282	4" x 4"	1 pc.
U-9283	6" x 6"	1 pc.
U-9284	8" x 8"	1 pc.

Description: Metal plate filler; rust proof; self-adhesive; fiberglass mesh surface improves plaster adhesion; used to repair holes in drywall.

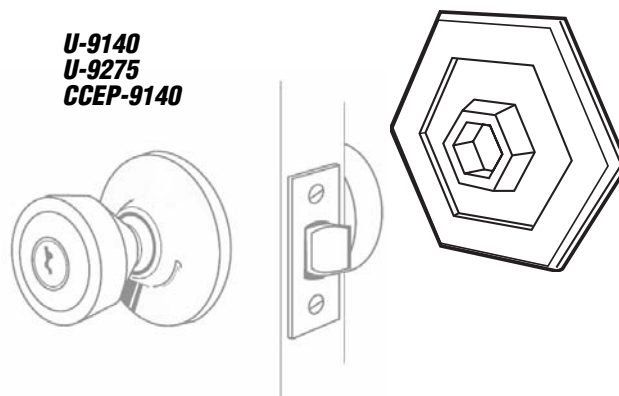


U-9140 (Ivory)
U-9275 (White)
CCEP-9140 (Ivory - bulk: 40 per box)

Wall Protector (5" hexagon)

Contents: 1 shield

Description: Flexible vinyl; self-adhesive; paintable; protects interior walls from impact damage by shielding contact point of wall and door knob; repairs damaged walls.



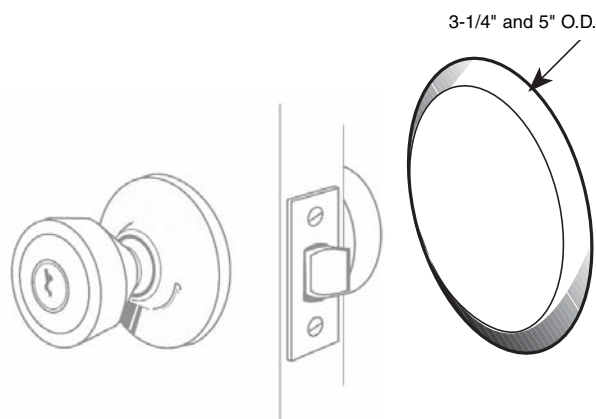
Wall Protector

Contents: 1 shield.

Diameter	Textured Surface		Smooth Surface	
	Ivory	White	Ivory	White
3-1/4"	U-9185*	U-9243	U-9267	U-9270
5"	U-9186*	U-9244	U-9268	U-9271

Description: Rigid vinyl; self adhesive; protects interior walls from impact damage by shielding contact point of wall and door knob; repairs damaged walls.

*Bulk: CCEP-9185 - 100 per box.
 CCEP-9186 - 50 per box.

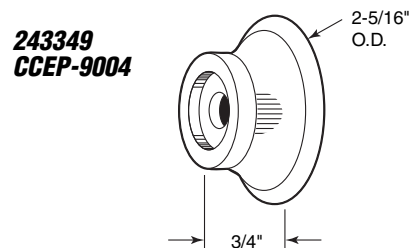


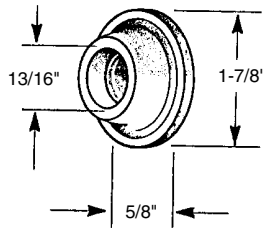
243349 (Clear - carded)
CCEP-9004 (Clear - bulk - 40 per box)

Door Bumper

Contents: 2 door stops; 2 no. 6 x 1-1/4" Phillips pan head sheet metal screws; 2 no. 6 x 1" plastic anchors.

Description: Clear soft vinyl; protects against marred walls; absorbs impact of door knob at contact point with wall; easily detached from wall by removing screw. Clear plastic construction is unassuming and allows paint colors or wall paper design to show through.





243351
243352

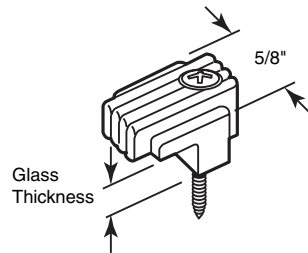
243351 (White)
243352 (Gray)

Door Bumper

Contents: 2 bumpers.

Description: Solid rubber; concave center; self-adhesive; absorbs impact of door knob at contact point with wall.

221501
223018
221502
223019
CCEP-9003
CCSC-9003

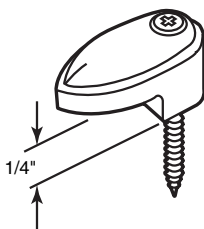


221501 (1/8" glass - 4 per card)
223018 (1/8" glass - 6 per card)
221502 (1/4" glass - 4 per card)
223019 (1/4" glass - 6 per card)
CCEP-9003 (1/4" glass - bulk - 6 per bag - 100 bags/box)
CCSC-9003 (1/4" glass - bulk - 6 per bag - 50 bags/box)

Mirror Clip

Contents: 6 clips; 6 no. 6 x 1-1/4" Phillips flat head sheet metal screws; 6 no. 6 x 1" plastic anchors.

Description: Clear plastic clips fit 1/8" or 1/4" thick mirror glass; conventional design.



243359

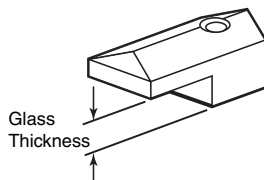
243359 (1/4" glass)

Mirror Clip

Contents: 6 clips; 6 no. 6 x 1-1/4" Phillips flat head sheet metal screws; 6 no. 6 x 1" plastic anchors.

Description: Clear plastic clips fit 1/4" thick mirror glass; decorator design.

243372
243374



243372 (1/8" glass)
243374 (1/4" glass)

Mirror Clip

Contents: 6 clips; 6 no. 6 x 1-1/4" Phillips flat head sheet metal screws; 6 no. 6 x 1" plastic anchors.

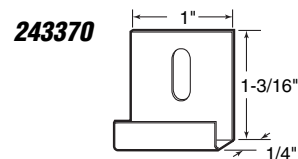
Description: Clear plastic clips fit 1/8" or 1/4" thick mirror glass; contemporary design.

243370 (1/4" glass)

Mirror Hanger

Contents: 6 hangers; 6 installation screws.

Description: Stainless steel hangers; designed to hold mirror securely to wall; use at top and bottom of mirror; slot allows 1/2" of adjustment for ease of installation.

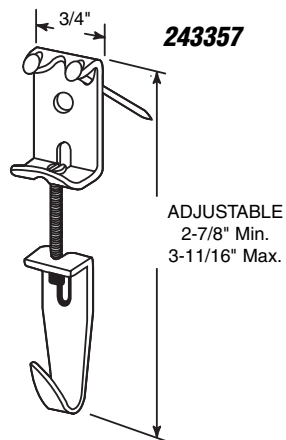


243357

Picture and Mirror Hanger Assembly

Contents: 2 hangers; 4 nails.

Description: Heavy duty steel hanger assembly consists of 1 fixed bracket and 1 adjustable bracket; allows 1" of vertical adjustment.

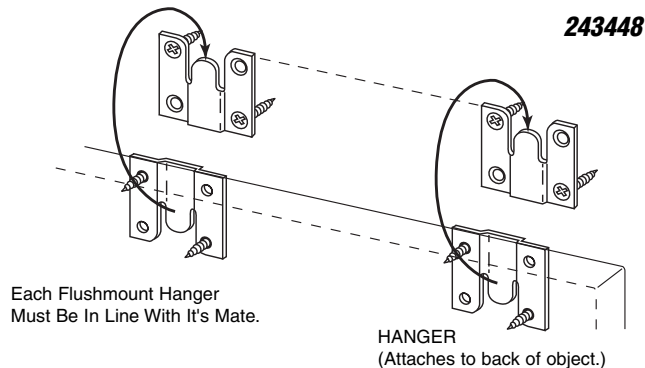


243448

Picture and Mirror Hanger Assembly

Contents: 2 sets; 2 sets of installation screws.

Description: Steel hangers designed for flush mount applications; each pair consists of one wall bracket and one frame bracket.



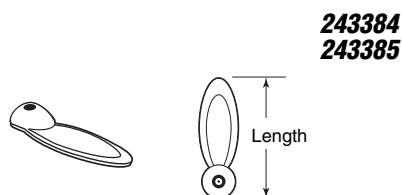
243384 (3/4" length)

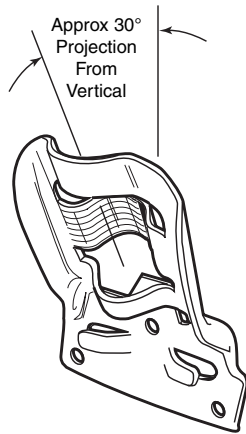
243385 (1" length)

Picture Retainer Clips

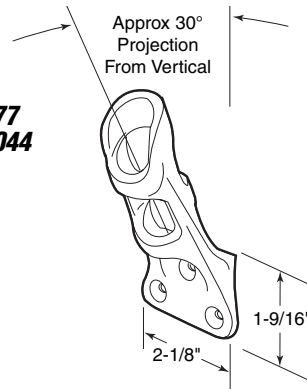
Contents: 8 clips with nails.

Description: Metal clips installed on back of picture frame; secures matting, art and backing in position.





U-9377
U-10044



Banner and Flag Pole Holders (Steel)

Call for Availability

Contents: 1 holder; 1 set of installation screws.

Finish (Part Number)

Pole Diameter	Clear Zinc Plated	Brass Plated	White Painted
3/4"	U-9378	U-10042	U-9379
1"	U-10020	U-10043	U-10021

Description: Sturdy painted or plated steel construction; weather resistant; 30° projection from vertical.

U-9377 (Mill finish)

U-10044 (White painted)

Call for Availability

Flag Pole Holder (Cast aluminum)

Contents: 1 holder; 1 set of installation fasteners.

Description: Rustproof; holds poles up to 3/4" diameter; 30° projection from vertical.

U-9376 (Off-white)

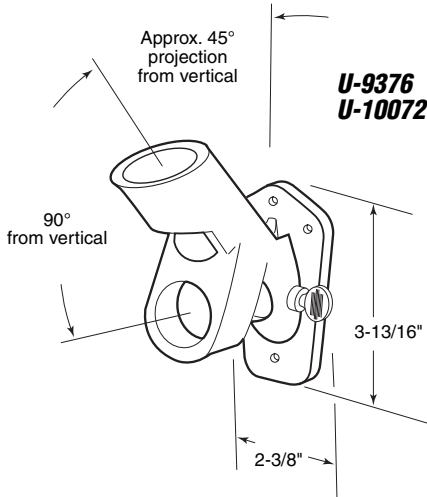
U-10072 (Brown)

Call for Availability

Banner and Flag Pole Holder (Heavy duty plastic)

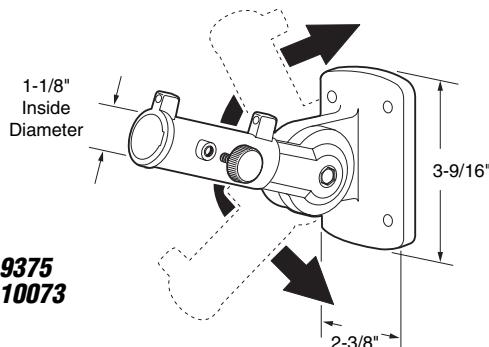
Contents: 1 holder with set screws; 1 set of installation fasteners.

Description: 45° and 90° projections from vertical; holds poles up to 1-1/8" diameter; thumbscrews secure pole to holder; sturdy support base.



U-9376
U-10072

U-9375
U-10073



U-9375 (Off-white)

U-10073 (Brown)

Banner and Flag Pole Holder (Deluxe plastic)

Contents: 1 holder with set screws; 1 set of installation fasteners.

Description: Fully adjustable angle settings; holds pole up to 1-1/8" diameter and windsock rods up to 1/4" diameter; knurled head thumbscrew secures pole to holder.

U-9380 (1" pole)

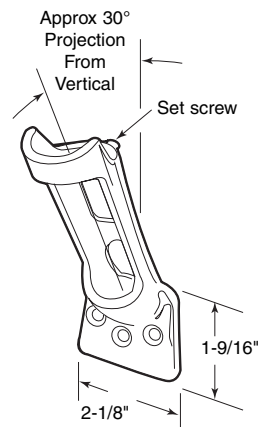
U-10074 (3/4" pole)

Flag Pole Holder (Polished brass)

Contents: 1 holder; 1 set of installation fasteners.

Description: Solid brass; holds 3/4" or 1" diameter poles; supports up to 95 lbs per unit. Very attractive, upscale holder.

U-9380
U-10074

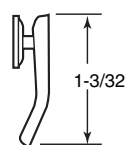
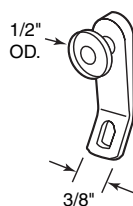


223050

Drapery Track Carrier

Contents: 12 carriers.

Description: Nylon drapery carrier fits most standard "C" style tracks.



223050

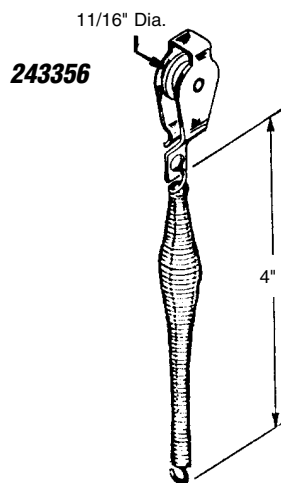
243356 (Plated steel housing)

243535 (White plastic housing)

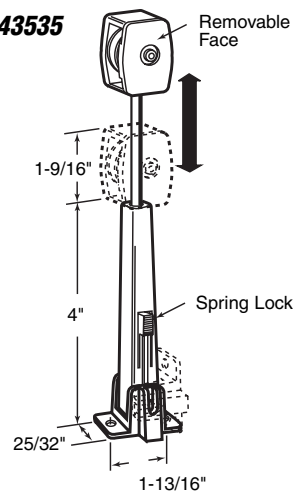
Drapery Cord Tension Spring & Pulley

Contents: 2 pulley assemblies; 2 no. 8 x 1-1/2" Phillips pan head sheet metal screws.

Description: Spring loaded assembly; nylon roller; provides proper cord tension.



243535



U-9015 (Ivory Head)

U-9191 (White Head)

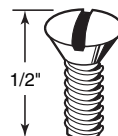
U-9316 (Nickel Plated)

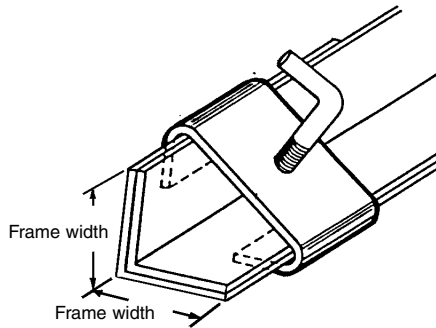
Cover Plate Screw (No. 6-32 x 1/2")

Contents: 100 screws per poly bag.

Description: Metal machine screw designed for plug and switch cover plate attachment. Painted screw head surfaces to match cover plates.

U-9015
U-9191
U-9316





241947
U-9013
241948
U-9014

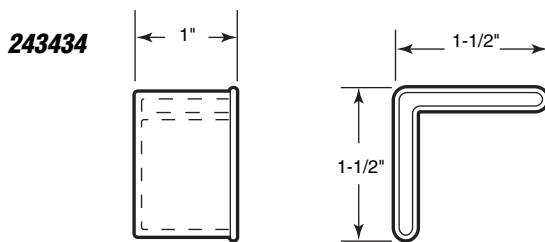
241947 (1" frame width - carded)
U-9013 (1" frame width - bulk)
241948 (1-1/4" frame width - carded)
U-9014 (1-1/4" frame width - bulk)

Bed Frame Rail Clamps

Contents: Carded- 2 per package
 Bulk- 50 pcs. in self-dispensing box.

Description: Heavy gauge **steel** bracket; **zinc plated**; used to secure bed frame meeting rails.

You may also wish to stock these related parts: **243434**.



243434

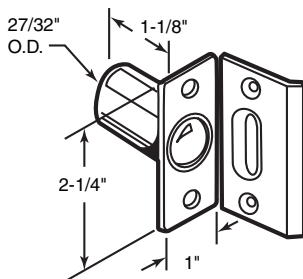
243434

Bed Rail End Cap (Brown)

Contents: 4 end caps.

Description: **Plastic** end caps install on end of bed frame rail.

You may also wish to stock these related parts: **241947**; **241948**.



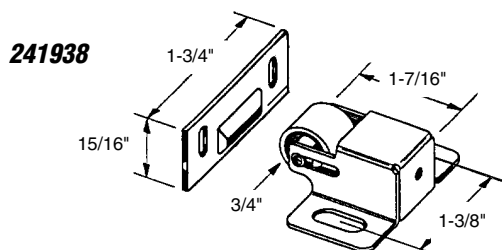
241862

241862 (Brass finish)

Bullet Catch

Contents: 1 catch; 1 strike; 1 set of installation screws.

Description: Heavy duty **plated diecast** bullet catch with **plated steel** strike; designed for use on interior closet and utility doors.



241938

241938 (Brass finish)

Roller Catch

Contents: 1 catch; 1 strike; 1 set of installation screws.

Description: **Plated steel** housing and strike; spring loaded **nylon roller**; designed for use on interior closet and cabinet doors.

House Numbers (4-1/4")

Contents: 10 numbers with nails (Bulk Pack).

Number	Finish (Part Number)	
	Black	Brass
0	S-4110	S-4280
1	S-4111	S-4281
2	S-4112	S-4282
3	S-4113	S-4283
4	S-4114	S-4284
5	S-4115	S-4285
6	S-4116	S-4286
7	S-4117	S-4287
8	S-4118	S-4288
9	S-4119	S-4289

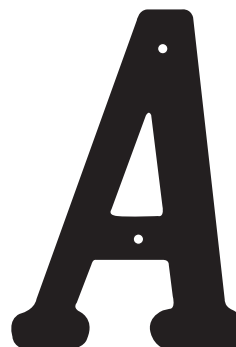
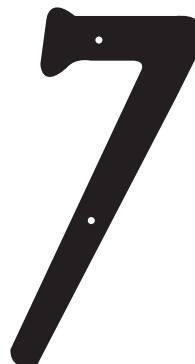
Description: Painted and plated diecast construction; corrosion resistant; 4-1/4" tall for easy visibility. Each number is individually poly-bagged.

House Letters (4-1/4")

Contents: 10 letters with nails (Bulk Pack).

Letter	Finish (Part Number)	
	Black	Brass
A	S-4106	S-4292
B	S-4107	S-4293
C	S-4108	S-4294
D	S-4109	S-4295
E	S-4291	S-4296
F	S-4248	S-4252

Description: Painted and plated diecast construction; corrosion resistant; 4-1/4" tall for easy visibility. Each letter is individually poly-bagged.

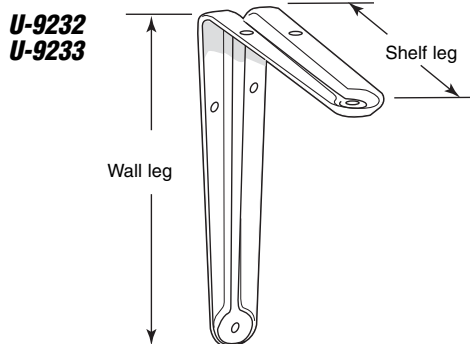


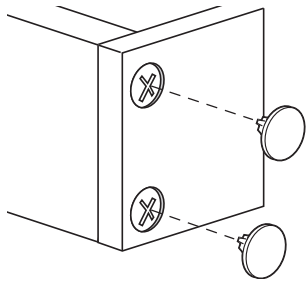
U-9232 (6" shelf leg x 8" wall leg)
U-9233 (10" shelf leg x 12" wall leg)

Shelf Bracket

Contents: 10 brackets (Bulk).

Description: Painted gray steel shelf bracket can be used as a support or brace for various 6" and 10" shelving applications.





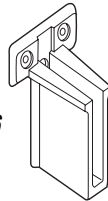
U-10036
U-10037
U-10038

U-10036 (White)
U-10037 (Beige)
U-10038 (Brown)

Screw Caps

Contents: 24 caps.

Description: Plastic caps press into drywall screw heads to offer a finished appearance to many homeowner projects.



N-7016

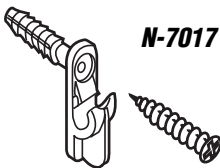
N-7016

Wire Shelf End Bracket

Contents: 2 brackets.

Description: Plastic brackets used to attach wire shelving to side walls.

You may wish to stock these related parts: **N-7017**, **N-7018**, **N-7019**, **N-7020**.



N-7017

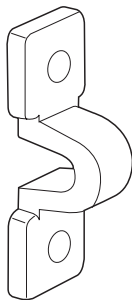
N-7017

Wire Shelf Wall Clip

Contents: 4 clips with screws.

Description: Plastic clip with built in anchor; used to secure back edge of wire rack to wall; use one clip every 12" inches.

You may wish to stock these related parts: **N-7016**, **N-7018**, **N-7019**, **N-7020**.



N-7018

N-7018

Wire Shelf Loop Clip

Contents: 4 clips with screws.

Description: Plastic clip used to clamp rear cross wire of shelf into wall stud for additional support.

You may wish to stock these related parts: **N-7016**, **N-7017**, **N-7019**, **N-7020**.



N-7019

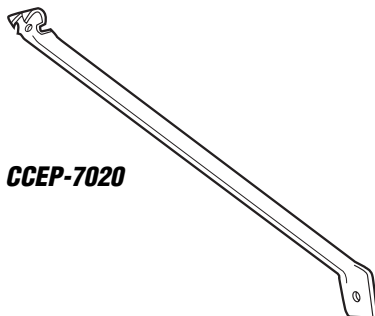
N-7019

Wire Shelf End Cap

Contents: 12 caps.

Description: Plastic end caps fit 5/16" wire; used to cap ends of cross wires on wire shelving; protects against sharp edges.

You may wish to stock these related parts: **N-7016**, **N-7017**, **N-7018**, **N-7020**.



CCEP-7020

CCEP-7020

Wire Shelf Support Bracket (Bulk)

Contents: (10) 12" brackets.

Description: Powder coated steel bracket; supports wire shelving.

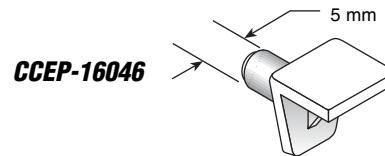
You may wish to stock these related parts: **N-7016**, **N-7017**, **N-7018**, **N-7019**.

CCEP-16046 (White)

Shelf Peg (5 mm)

Contents: 12 pegs/bag (50 bags/display box).

Description: Plastic shelf pegs with 5 mm (3/16") diameter peg; fits many K.D. style cabinets.

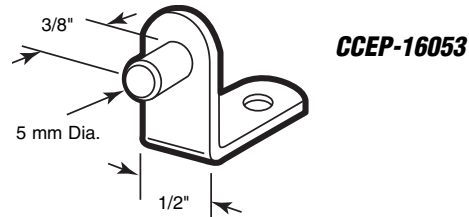


CCEP-16053 (Nickel plated)

Shelf Peg (5 mm)

Contents: 4 pegs/bag (50 bags/display box).

Description: Plated steel pegs with 5 mm (3/16") diameter peg; fits many K.D. style cabinets.



CCEP-16051 (White)

Hole Cap (5 mm)

Contents: 48/bag (50 bags/display box).

Description: Plastic hole caps neatly plug unused peg holes in many K.D. style cabinets; use in 5 mm (3/16") peg holes.

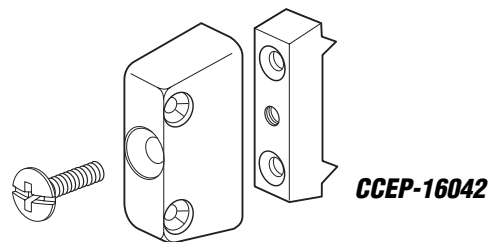


CCEP-16042 (White)

Corner Connectors

Contents: 4 connectors and (16) #6 x 1" Phillips flat head sheet metal screws (25 bags/display box).

Description: 2 piece plastic corner connectors simplify assembly of K.D. cabinet walls with strong overlap construction.

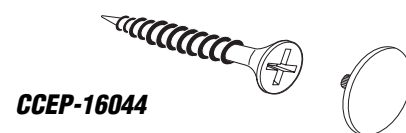


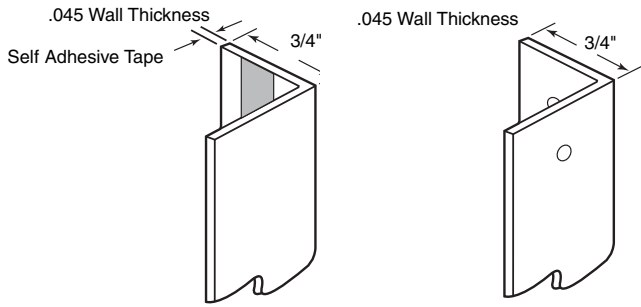
CCEP-16044

Screw and Cap

Contents: (12) #7 x 1-1/2" Phillips head fine drywall screws and 12 caps per bag (50 bags/display box).

Description: White plastic caps press into Phillips style screw heads to offer finished look; fits many K.D. style cabinet applications.





Corner Shields (3/4" x 3/4")

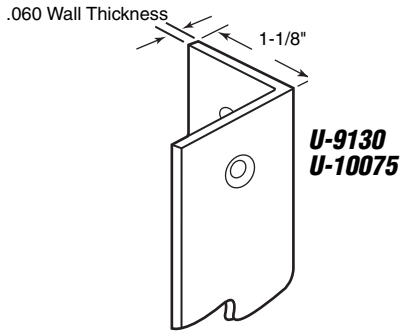
Contents: 1 piece; 1 set of drive nails or self adhesive backed.

Color (Part Number)

Length	Clear		White	
	w/holes	w/tape	w/holes	w/tape
48"	U-9129	U-10081	U-10084	U-10066
96"	U-10082	U-10083	U-10085	U-10086

Description: Extruded vinyl shield; used for protecting or repairing wall corners from chipped paint, torn wallpaper or fingerprints.

Note: Minimum order - 12 pieces.



U-9130 (48" long - with holes)

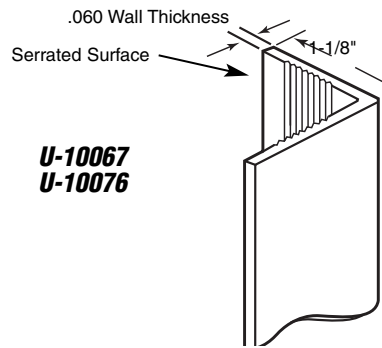
U-10075 (96" long - with holes)

Corner Shields (1-1/8" x 1-1/8")

Contents: 1 length; 1 set of #6 x 1" Phillips oval head sheet metal screws.

Description: Clear vinyl shield; pre-drilled with countersunk holes; used for protecting or repairing wall corners from chipped paint, torn wallpaper or fingerprints.

Note: Minimum order - 12 pieces.



U-10067 (48" long - no holes)

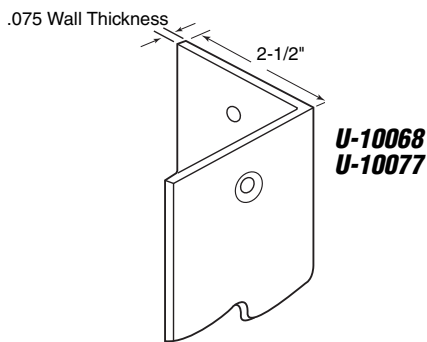
U-10076 (96" long - no holes)

Corner Shields (1-1/8" x 1-1/8")

Contents: 1 length.

Description: White vinyl shield; embossed serration on interior surface; apply latex silicon sealant to serrated surface and press on to corner; used for protecting or repairing wall corners from chipped paint, torn wallpaper or fingerprints.

Note: Minimum order - 12 pieces.



U-10068 (48" long - with holes)

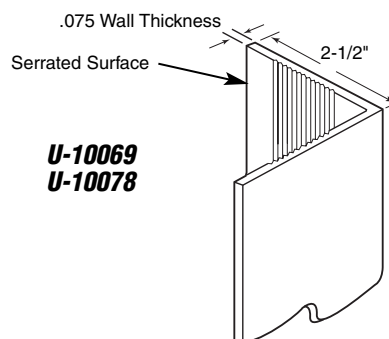
U-10077 (96" long - with holes)

Corner Shields (2-1/2" x 2-1/2")

Contents: 1 length; 1 set of #6 x 1" Phillips oval head sheet metal screws.

Description: Clear vinyl shield; pre-drilled with countersunk holes; used for protecting or repairing wall corners from chipped paint, torn wallpaper or fingerprints.

Note: Minimum order - 6 pieces.



U-10069 (48" long - no holes)

U-10078 (96" long - no holes)

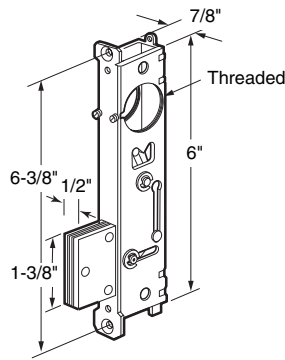
Corner Shields (2-1/2" x 2-1/2")

Contents: 1 length.

Description: White vinyl shield; embossed serration on interior surface; apply latex silicon sealant to serrated surface and press on to corner; used for protecting or repairing wall corners from chipped paint, torn wallpaper or fingerprints.

Note: Minimum order - 6 pieces.

**J-4500
J-4501
J-4502**



*Call for
Availability*

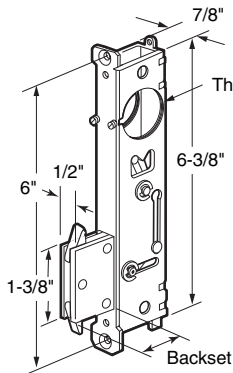
J-4500 (27/32" backset)
J-4501 (1" backset)
J-4502 (1-1/8" backset)

Deadbolt Lock

Contents: 1 deadbolt lock; 1 set of installation screws.

Description: **Steel housing;** single-point deadbolt lock for pivoting doors; **laminated steel bolt.**

Part no. J-4567 Faceplate (Aluminum finish)
J-4568 Faceplate (Brass finish)



**J-4503
J-4504**

*Call for
Availability*

J-4503 (31/32" backset)
J-4504 (1-1/8" backset)

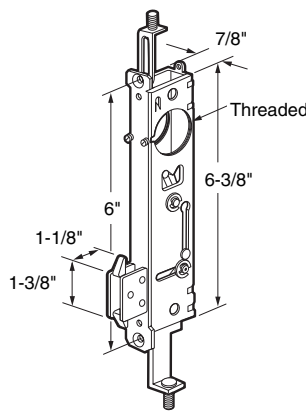
Deadbolt Lock

Contents: 1 deadbolt lock; 1 set of installation screws.

Description: **Steel housing;** single-point deadbolt lock for pivoting or sliding doors; has anti-jimmy bolt with two secondary expanding bolts. Used to replace **W&F series 6000**, or comparable locks.

Part No. J-4567 Faceplate (Aluminum finish)
J-4568 Faceplate (Brass finish)

**J-4507
J-4509**



*Call for
Availability*

J-4507 (31/32" backset)
J-4509 (1-1/8" backset)

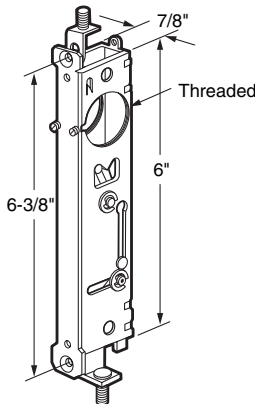
Deadbolt Lock

Contents: 1 deadbolt lock; 1 set of installation screws.

Description: **Steel housing;** three-point deadbolt lock for pivoting or sliding doors; locks at jamb, header and threshold; anti-jimmy type bolt has **hardened steel plates** and expanding secondary bolts. Used to replace **W&F series 6000**, or comparable locks.

Part no: J-4567 Faceplate (Aluminum finish)
J-4568 Faceplate (Brass finish)

J-4505



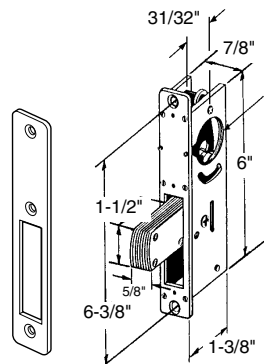
*Call for
Availability*

**J-4505
Deadbolt Lock**

Contents: 1 deadbolt lock; 1 set of installation screws.

Description: **Steel housing;** two-point deadbolt lock for pivoting or sliding doors; locks at header and threshold.

**J-4524
J-4525**



J-4524 (Aluminum)
J-4525 (Bronze)

Deadbolt Lock (31/32" backset)

Contents: 1 deadbolt lock **with face plate;** 1 set of installation screws.

Description: **Steel housing;** **laminated steel bolt,** activated by a pivot mechanism, provides maximum security for any single door; **aluminum** faceplate.

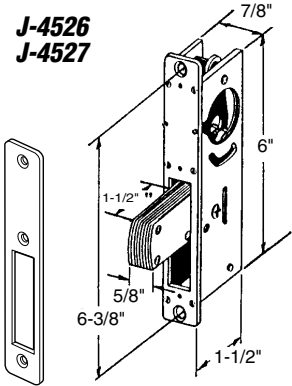
J-4526 (Aluminum)
J-4527 (Bronze)

Deadbolt Lock (1-1/8" backset)

Contents: 1 deadbolt lock **with faceplate**; 1 set of installation screws.

Description: **Steel housing; laminated steel bolt**, activated by a pivot mechanism, provides maximum security for any single door; **anodized aluminum** faceplate.

You may also wish to stock these related parts: **J-4512 thru J-4515**.



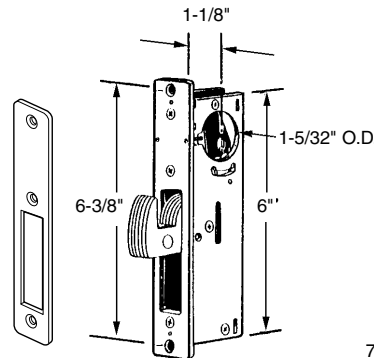
J-4558 (Aluminum)
J-4559 (Bronze)

Mortise Deadlock (1-1/8" backset)

Contents: 1 mortise deadlock **with faceplate**; 1 set of installation screws.

Description: **Steel construction** swing hook lock for commercial use; for sliding store front doors; **anodized aluminum** faceplate.

You may wish to stock these related parts: **J-4560, J-4561, J-4562, J-4563**.



J-4558
J-4559

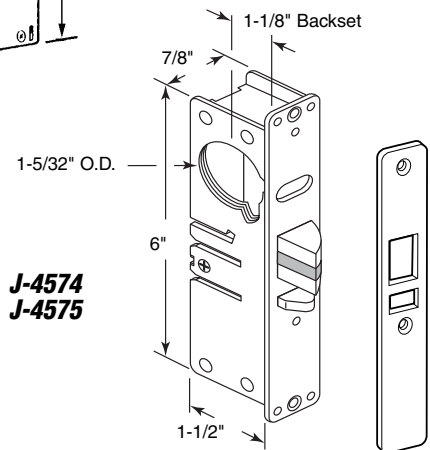
J-4574 (Aluminum)
J-4575 (Bronze)

Exit Door Deadlatch (1-1/8" backset)

Contents: 1 deadlatch lock **with faceplate**; 1 set of installation screws.

Description: Deadlatch allows exit only feature; commonly used after hours, for traffic control; **anodized aluminum** faceplate.

You may wish to stock these related parts: **J-4512 thru J-4515**.



J-4574
J-4575

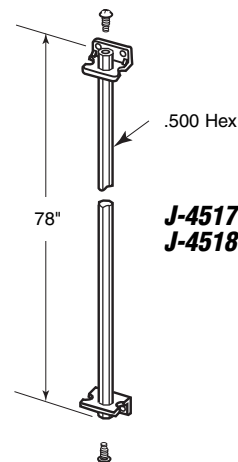
J-4517 (48" long)
J-4518 (78" long)

Bolt Assembly

Contents: 1 hex bolt; 2 hex guides; 1 set of installation screws.

Description: Hex bolt assembly for use in "Two Point" or "Three Point" lock installation; **extruded aluminum** bolt with **nylon** guides. Select appropriate length bolt assembly by determining door length.

You may wish to stock these related parts: **J-4505, J-4507, J-4509, J-4519**.



J-4517
J-4518

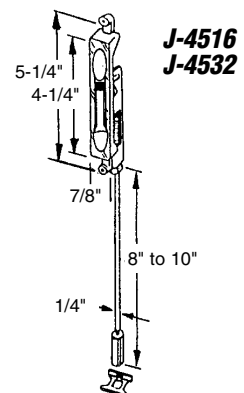
J-4516 (Aluminum)
J-4532 (Bronze)

Extension Bolt (Flush mount)

Contents: 1 extension bolt with installation screws.

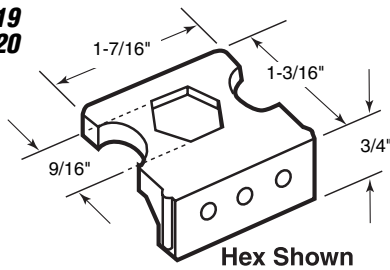
Description: **Diecast** extension bolt housing with adjustable (8"-10") bolt rod; for locking aluminum and steel doors; can be mounted to latch top or bottom of door.

You may wish to stock these related parts: **J-4564, J-4565**.



J-4516
J-4532

**J-4519
J-4520**



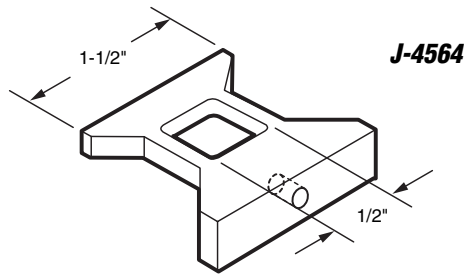
J-4519 (For hex bolts)
J-4520 (For 1/2" square bolts)

Bolt Guides

Contents: 2 guides; 2 sets of installation screws.

Description: Nylon guides secure bolt assembly to header and threshold; normal application is 2 per door.

You may wish to stock these related parts: **J-4516, J-4517, J-4518, J-4532.**



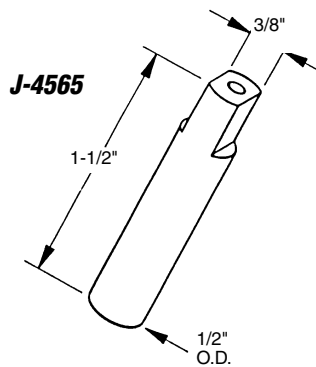
J-4564

J-4564

Flush Bolt Guide

Contents: 1 nylon guide; installation screws.

Description: Guides bolt assembly when in operation; normal application is 2 per door. Use with **J-4516** and **J-4532** extension bolts.



J-4565

J-4565

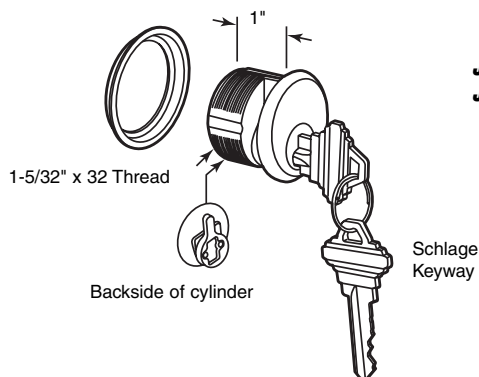
Extension Bolt Rod Tips

Contents: 2 tips.

Description: Nylon tips thread onto extension bolts of **J-4516** and **J-4532.**

You may wish to stock these related parts: **J-4516, J-4519, J-4532.**

Call for Availability



**J-4512
J-4513**

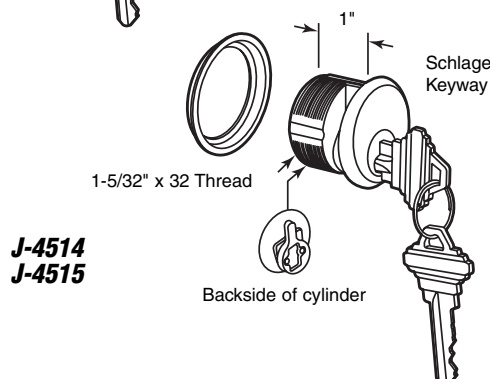
J-4512 (Aluminum)
J-4513 (Bronze)

Mortise Key Cylinder

Contents: 1 cylinder with trim ring, 1 key.

Description: Heavy duty, pressure cast zamac construction; 1" length; standard 1-5/32" x 32 thread; Schlage keyway.

You may wish to stock these related parts: **J-4510, J-4511, J-4530; J-4531, J-4535, J4536.**



**J-4514
J-4515**

J-4514 (Aluminum)
J-4515 (Bronze)

Mortise Key Cylinders (Keyed alike)

Contents: 2 cylinders with trim rings; 2 keys.

Description: Heavy duty; pressure cast zamac construction; 1" length; standard 1-5/32" x 32 thread; Schlage keyway.

You may wish to stock these related parts: **J-4510, J-4511, J-4530; J-4531, J-4535, J4536.**

J-4530 (Aluminum)
J-4531 (Bronze)

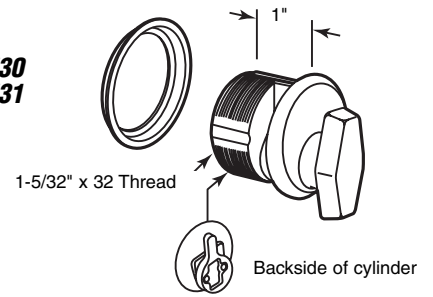
Mortise Thumbturn Cylinder

Contents: 1 thumbturn with 1/4" thick trim ring.

Description: Heavy duty; **pressure cast zamac** construction; interchanges with standard 1-5/32" cylinder lock.

You may also wish to stock these related parts: **J-4512, J-4513, J-4535, J-4536.**

J-4530
J-4531



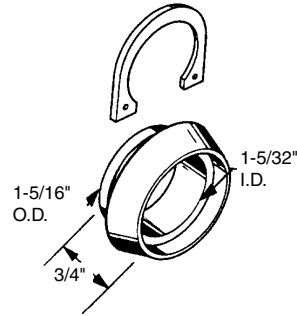
J-4535 (Aluminum)
J-4536 (Bronze)

Cylinder Guard

Contents: 1 cylinder guard; 1 **aluminum** washer; 1 **spring steel** security C-clip.

Description: Secures any 1-5/32" diameter cylinder from "Twist-Off" or "Pry-Off" break-in attempts; diecast cylinder guard protects cylinder face from prying tool; also spins freely when attacked by any gripping device.

You may also wish to stock these related parts: **J-4512 thru J-4515.**



J-4535
J-4536

J-4560 (Aluminum)
J-4561 (Bronze)

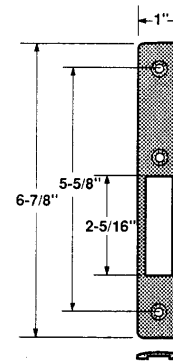
Radiused Faceplates

Contents: 1 faceplate; 1 set of installation screws.

Description: **Clear anodized or bronze finished aluminum** faceplates; radiused; for use with J-4558 and J-4559 mortise locks.

You may wish to stock these related parts: **J-4558, J-4559.**

J-4560
J-4561



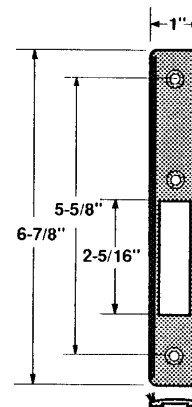
J-4562 (Aluminum)
J-4563 (Bronze)

Radiused Faceplates With Mohair

Contents: 1 faceplate; 1 set of installation screws.

Description: **Clear anodized or bronze finished aluminum** faceplates; **Mohair pile weatherstrip**; radiused; for use with J-4558 and J-4559 mortise locks.

You may wish to stock these related parts: **J-4558, J-4559.**



J-4562
J-4563

J-4567 (Aluminum)
J-4568 (Bronze)

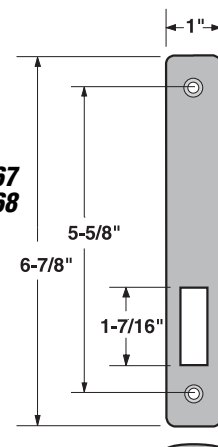
Radiused Faceplates

Contents: 1 faceplate; 1 set of installation screws.

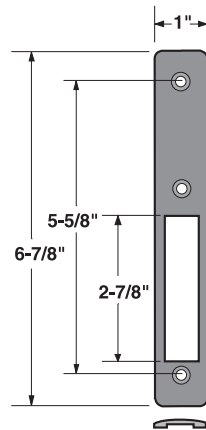
Description: **Clear anodized or bronze finished aluminum** faceplates; radiused; for use with no. J-4500, J-4501, J-4502, J-4503, J-4504, J-4507, J-4509 mortise locks.

You may also wish to stock these related parts: **J-4512, J-4513, J-4514, J-4515.**

J-4567
J-4568



**J-4576
J-4577**



J-4576 (Aluminum)
J-4577 (Bronze)

Radiused Faceplates

Contents: 1 faceplate: 1 set of installation screws.

Description: Clear anodized or bronze finished aluminum faceplates; radiused; for use with J-4524, J-4525, J-4526, J-4527 mortise locks.

You may wish to stock these related parts: **J-4512, J-4513, J-4514, J-4515.**

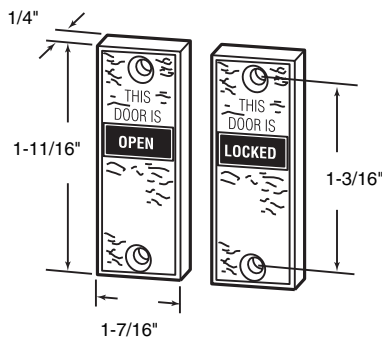
J-4510 (Aluminum)
J-4511 (Bronze)

Lock Indicator

Contents: 1 faceplate; 1 "Open/Locked" sticker; nylon slide; installation parts & screws.

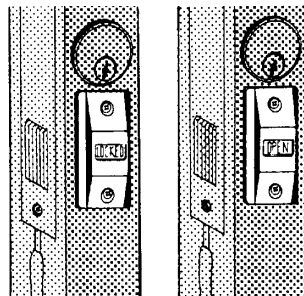
Description: Diecast lock indicator gives instant visual assurance that deadbolt lock is either "open" or "locked"; easily mounted to installed lock; meets requirements of Uniform Building Code.

You may also wish to stock these related part: **J-4503, J-4504, J-4507, J-4509, J-4512 thru J-4515, J-4528, J-4529, J-4534.**



**J-4510
J-4511**

**J-4528
J-4529**



J-4528 (Aluminum)
J-4529 (Bronze)

Lock Indicator

Contents: 1 lock indicator assembly; 2 assembly pins; 2 no. 8 machine screws.

Description: Diecast open/locked indicator; for use on store front locks; meets requirements of Uniform Building Code.

You may also wish to stock these related parts: **J-4524 thru J-4527.**

J-4534



Actual Sign Reads:
"THIS DOOR TO REMAIN OPEN DURING BUSINESS HOURS"

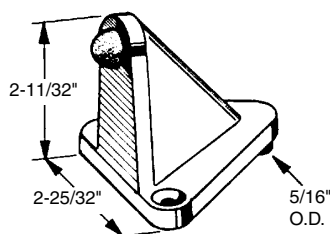
J-4534

Door Sign

Contents: 1 sign.

Description: Usually required at front exit of store; **black lettering on silver background**; reflective gloss finish; **1-1/2" wide x 30" long**; **pressure sensitive adhesive backing** permanently adheres to aluminum surfaces.

J-4522



J-4522 (Aluminum)

Floor Stop

Contents: 1 stop with installation screws.

Description: Diecast stop is floor mounted; heavy duty **rubber bumper insert**; **burnished aluminum finish.**

You may wish to stock these related parts: **J-4544, J-4545, J-4547.**

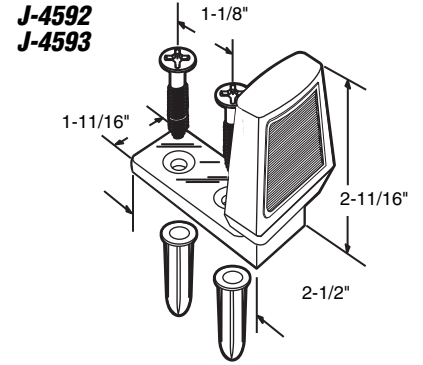
J-4592 (Brushed aluminum)
J-4593 (Bronze finish)

Floor Stop

Contents: 1 stop; 1 set of installation fasteners.

Description: **Wrought steel** with soft resilient **rubber** bumper, used on under cut doors up to 1-1/2".

You may also wish to stock these related parts: **J-4544** and **J-4545**.

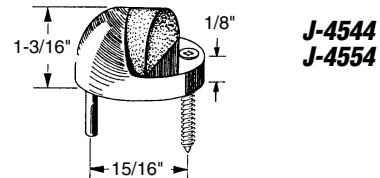


J-4544 (Brushed chrome)
J-4554 (Polished brass)

Floor Stop (Dome type)

Contents: 1 stop; 1 set of installation fasteners.

Description: **Cast brass** door stop with **rubber** bumper; mounts to floor. Meets ANSI standards.



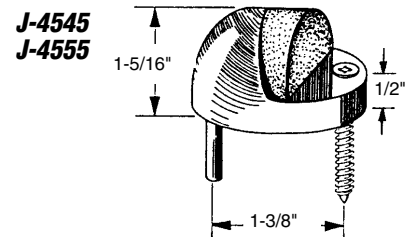
J-4545 (Brushed chrome)
J-4555 (Polished brass)

Floor Stop (Dome type)

Contents: 1 stop; 1 set of installation fasteners.

Description: **Cast brass** door stop with **rubber** bumper; for residential or commercial use; mounts to floor. Meets ANSI standards.

You may also wish to stock these related parts: **J-4553**, **J-4554**.



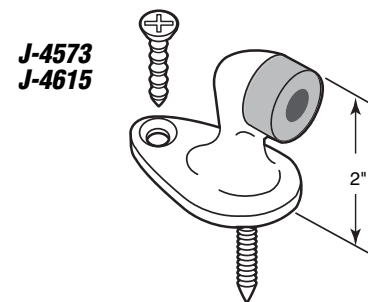
J-4573 (Brushed chrome)
J-4615 (Polished brass)

Floor Stop

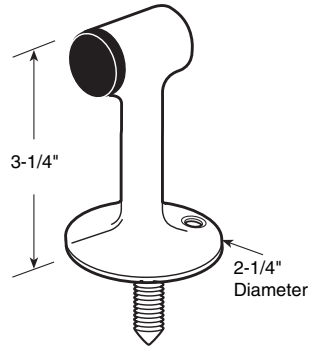
Contents: 1 stop; 1 set of installation fasteners.

Description: **Solid brass** door stop with **rubber** bumper. 1 installation screw is concealed under base of bumper. Meets ANSI standards.

You may also wish to stock this related part: **J-4572**.



J-4547
J-4614



J-4547 (Brushed chrome)

J-4614 (Polished brass)

Floor Stop

Contents: 1 stop; 1 set of installation fasteners.

Description: Cast brass door stop with rubber bumper; mounts to floor. Meets ANSI standards.

J-4652 (Brushed chrome)

J-4653 (Polished brass)

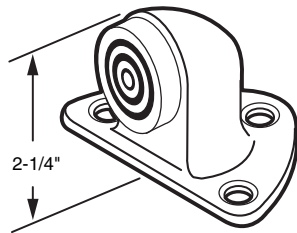
J-4654 (Bronze finish)

Floor Stop

Contents: 1 stop; 1 set of installation fasteners.

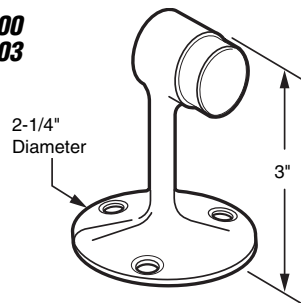
Description: Cast brass door stop with rubber bumper; mounted to floor.

You may wish to stock these related parts: **J-4592; J-4593.**



J-4652
J-4653
J-4654

J-4600
J-4603



J-4600 (Polished brass)

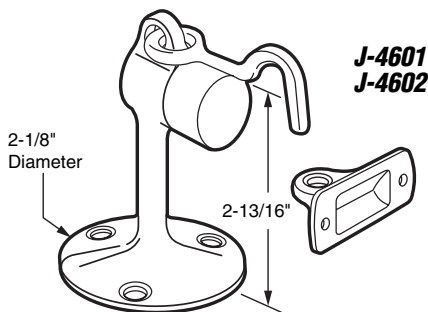
J-4603 (Brushed chrome)

Floor Stop

Contents: 1 stop; 1 set of installation fasteners.

Description: Solid brass stop with rubber bumper; uses 3 screws and 1 lag bolt for mounting.

You may wish to stock these related parts: **J-4598 and J-4599.**



J-4601
J-4602

J-4601 (Polished brass)

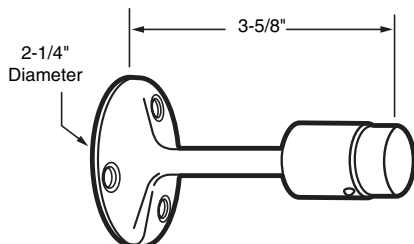
J-4602 (Brushed chrome)

Floor Stop with Holder

Contents: 1 hook mounted door stop; 1 holder; 1 anchor bolt with installation fasteners.

Description: Solid brass floor mount stop with rubber bumper; has built in hook to hold door in open position.

J-4596
J-4597



J-4596 (Polished brass)

J-4597 (Brushed chrome)

Wall Stop

Contents: 1 stop; 1 lag bolt; 1 set of installation fasteners.

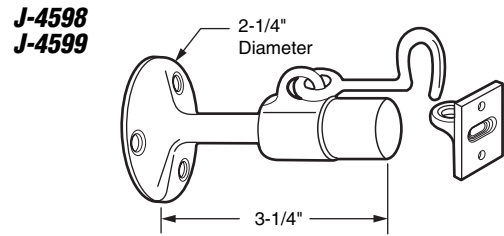
Description: Cast brass wall mounted stop with rubber bumper to cushion door.

J-4598 (Brass finish)
J-4599 (Dull chrome)

Wall Stop with Holder

Contents: 1 hook mounted stop; 1 holder; 1 machine bolt with anchor; 1 set of installation fasteners.

Description: **Solid brass** stop with **rubber** bumper has built in hook to hold door in open position.

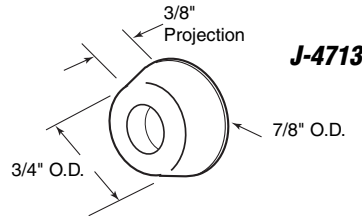


J-4713 (Clear polyurethane)

Wall Stop

Contents: 4 stops.

Description: 1\" clear polyurethane stop, **self adhesive**, no tools required.



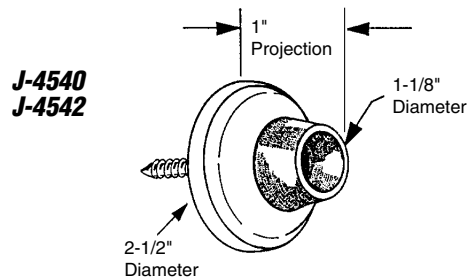
J-4540 (Brushed stainless)
J-4542 (Polished brass)

Wall Stop

Contents: 1 Stop assembly; 1 anchor and installation screw.

Description: **Steel** retainer plate with **stamped stainless steel or brass cover** allows for concealed fastening; screw installs through retainer plate into wall anchor; **concave rubber bumper**.

You may wish to stock these related parts: **J-4544 thru J-4555**.



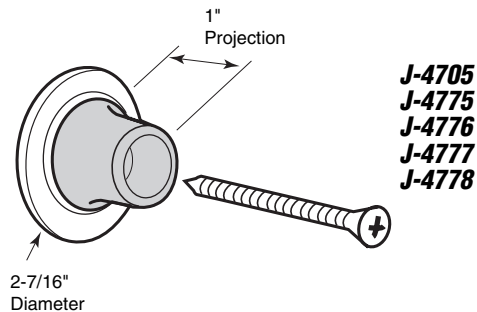
J-4705 (Brite brass)
J-4775 (Dull brass)
J-4776 (Dull bronze)
J-4777 (Brite chrome)
J-4778 (Satin chrome)

Wall Stop

Contents: 1 stop assembly; 1 anchor and installation screw.

Description: **Plated cast zinc base** allows for concealed fastening; screw mounts thru base plate; **concave rubber bumper**.

You may wish to stock these related parts: **J-4544 thru J-4555**.



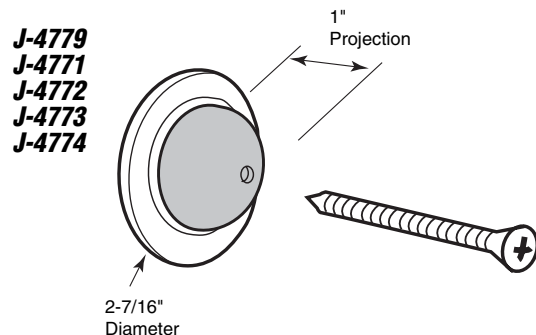
J-4779 (Brite brass)
J-4771 (Dull brass)
J-4772 (Dull bronze)
J-4773 (Brite chrome)
J-4774 (Satin chrome)

Wall Stop

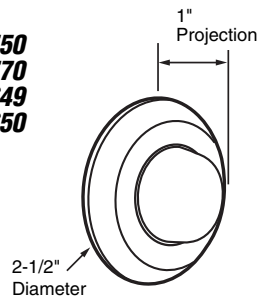
Contents: 1 stop assembly; 1 anchor and installation screw.

Description: **Plated cast zinc base** allows for concealed fastening; screw installs through retainer plate into wall anchor; **convex rubber bumper**.

You may wish to stock these related parts: **J-4544 thru J-4555**.



J-4550
J-4770
J-4649
J-4650

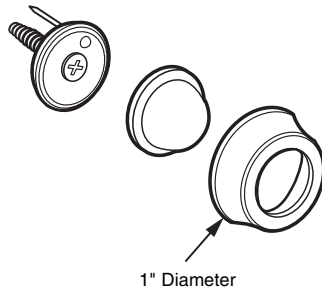


J-4550 (Polished brass)
J-4770 (Dull brass)
J-4649 (Brushed stainless)
J-4650 (Brite chrome)

Wall Stop

Contents: 1 stop assembly; 1 anchor and installation screws.

Description: Steel retainer plate with **stamped brass or stainless steel cover** allows for concealed fastening; screw installs through steel retainer plate into wall anchor; **convex rubber bumper**.



J-4570
J-4647
J-4648
J-4724

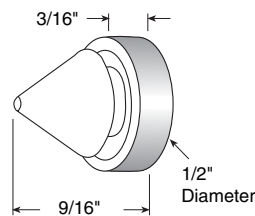
J-4570 (Polished brass)
J-4647 (Brushed chrome)
J-4648 (Bronze)
J-4724 (Polished chrome)

Wall Stop

Contents: 1 stop assembly; installation fasteners.

Description: Solid cast brass or bronze, **threaded collar and base**; convex rubber bumper; miniature size. Projection from wall to rubber tip is 9/16".

J-4566

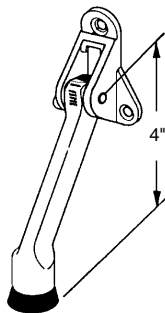


J-4566 (White)

Stop Mount Silencer

Contents: 100 silencers.

Description: Rubber bumpers or silencers; used on hollow metal jambs to deter noise when closing and to improve firm latching.



J-4523
J-4533
J-4543

J-4523 (Chrome finish)
J-4533 (Bronze finish)
J-4543 (Brass finish)

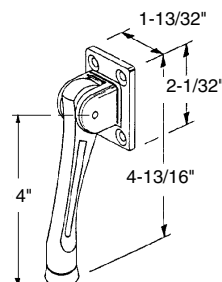
Holder

Contents: 1 holder; 1 set of installation screws.

Description: Zinc diecast holder with **rubber tip**; spring loaded to hold in "Up" position; good for commercial or residential application.

You may also wish to stock these related parts: **J-4551, J-4552, J-4556, J-4557.**

J-4537
J-4538
J-4539



J-4537 (Chrome)
J-4538 (Bronze finish)
J-4539 (Brass finish)

Holder

Contents: 1 holder; 1 set of installation screws.

Description: Heavy duty diecast stop with **rubber tip**; 4 hole mounting; for commercial and residential application.

You may also wish to stock these related parts: **J-4523, J-4533, J-4543, J-4557.**

Commercial Door

J-4551 (Aluminum finish)

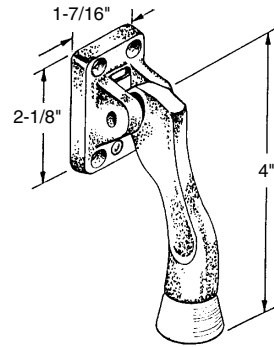
J-4552 (Bronze finish)

Holder

Contents: 1 holder; 1 set of installation screws.

Description: Heavy **cast iron, spring loaded** holder with 4-hole mounting; **rubber tip**; for commercial use.

You may also wish to stock these related parts: **J-4523, J-4533, J-4543.**



J-4551
J-4552

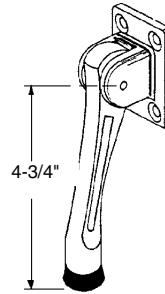
J-4571 (Brushed chrome)

J-4572 (Polished brass)

Holder

Contents: 1 holder; 1 set of installation screws.

Description: Heavy **cast brass** holder; 4 hole mounting; **rubber tip**. Meets ANSI standards for commercial use.



J-4571
J-4572

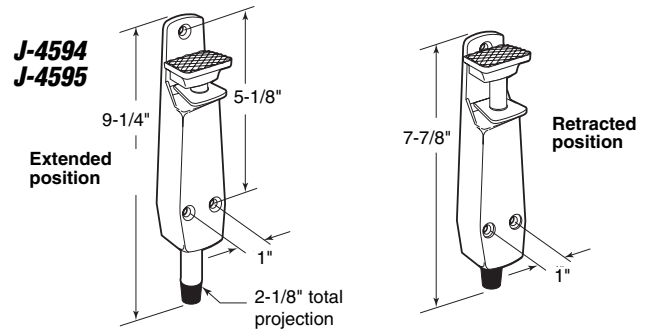
J-4594 (Brass finish)

J-4595 (Aluminum)

Door Holder (Plunger style)

Contents: 1 holder; 1 set of installation screws.

Description: **Plated or painted diecast**, spring loaded, door holder; large rubber foot treadle for easy step-on application; toe operated release mechanism



J-4594
J-4595

J-4556 (Black twist-In)

J-4557 (Black with screw)

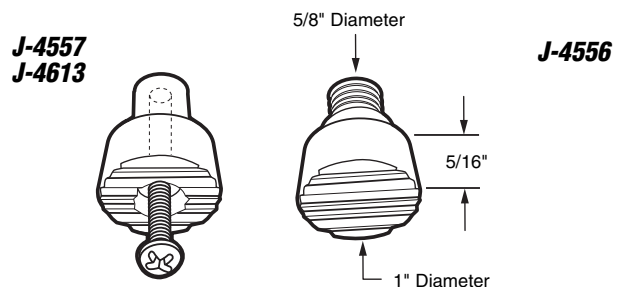
J-4613 (White with screw)

Holder Tip

Contents: 2 rubber tips.

Description: Replaces worn out tips on drop down door holders.

You may wish to stock these related parts: **J-4523, J-4533, J-4537, J-4538, J-4539, J-4543, J-4551, J-4552.**



J-4557
J-4613

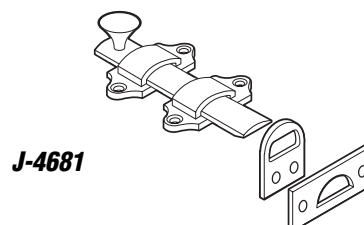
J-4556

J-4681 (Dull Chrome)

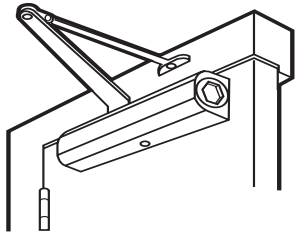
4" Dutch Door Surface Bolt

Contents: 1 slide bolt assembly; 2 keepers; installation screws.

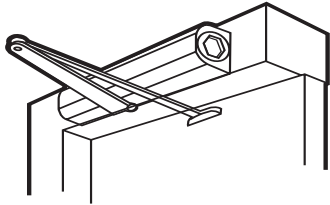
Description: **Plated cast brass**; **cast strike** for application without a shelf and a **stamped** flat mortise strike.



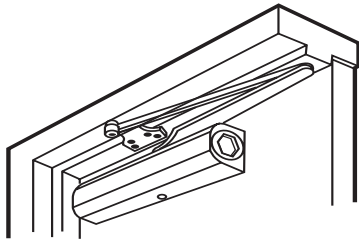
J-4681



Standard



Top Jamb



Parallel Arm

Hydraulic Door Closers (Dual valve)

Contents: 1 closer; and all necessary hardware and fasteners.

Painted Finish-Part Number

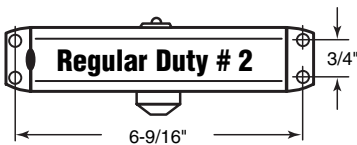
<i>Aluminum</i>	<i>Bronze</i>	<i>Duty Rating</i>
J-4609	J-4610	# 2 Regular
J-4611	J-4612	# 3 Medium
J-4706	J-4707	# 4 Heavy

Description: Cast aluminum body in painted finishes.

Features:

- U.L. Listed
- Dual valves control closing and latching speeds
- Rack and pinion operation
- Non-handed
- Hydraulic fluid for any climate operation & constant lubrication
- Mounts to most glass & aluminum doors without special adapters
- Heavy duty threaded adjustable arm with lock nut.

Body Mounting Specifications



Standard or Top Jamb Installation

Fits Door Size:

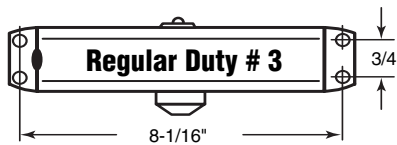
- Interior:** Out Swing 36"
In Swing 36"
- Exterior:** Out Swing 32"
In Swing 28"

Parallel Arm Installation

Fits Door Size:

- Interior:** Out Swing 32"
In Swing 32"
- Exterior:** Out Swing 28"
In Swing 24"

Door Weight 55 -100 lbs.



Standard or Top Jamb Installation

Fits Door Size:

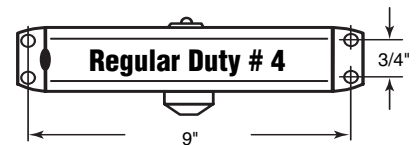
- Interior:** Out Swing 42"
In Swing 42"
- Exterior:** Out Swing 36"
In Swing 32"

Parallel Arm Installation

Fits Door Size:

- Interior:** Out Swing 36"
In Swing 36"
- Exterior:** Out Swing 32"
In Swing 28"

Door Weight 80-140 lbs.



Standard or Top Jamb Installation

Fits Door Size:

- Interior:** Out Swing 48"
In Swing 48"
- Exterior:** Out Swing 42"
In Swing 36"

Parallel Arm Installation

Fits Door Size:

- Interior:** Out Swing 42"
In Swing 42"
- Exterior:** Out Swing 36"
In Swing 32"


Door Weight 115 - 180 lbs.

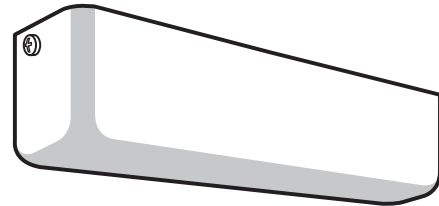
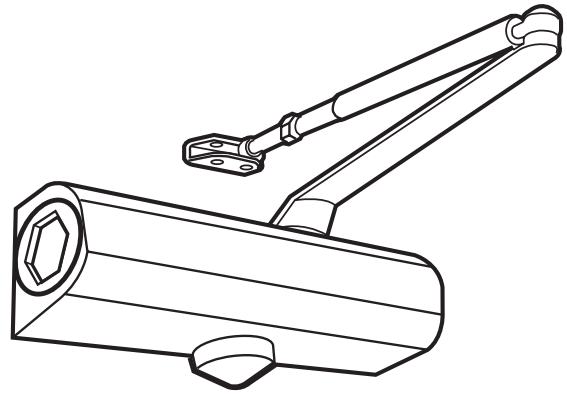
J-4728 (Aluminum finish)

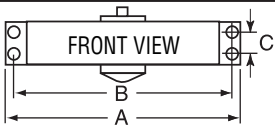
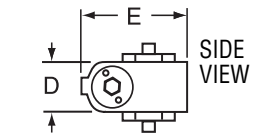
Adjustable Hydraulic Door Closer

Contents: 1 closer; all necessary hardware and fasteners.

Description: Heavy duty cast aluminum body:

- Non-handed for standard, top-jamb or parallel arm installation.
- Non-sized, adjustable from #2 thru #6 and factory preset to # 3.
- Standard adjustable back-check function.
- Adjustable closing and latching speed by two separate regulating valves.
- Standard full plastic cover.
- ANSI 156.4 grade 1: U.L. listed for fire door assemblies.
-  Barrier Free (low opening resistance) for handicap (American Disabilities Act) compliance.



Description	Size	
A. Length of Closer Body	11-3/4"	
B. Horizontal Mounting Holes	11-1/8"	
C. Vertical Mounting Holes	3/4"	
D. Height of Closer Body	2"	
C. Projection from Door	2-7/8"	

Pull Plates

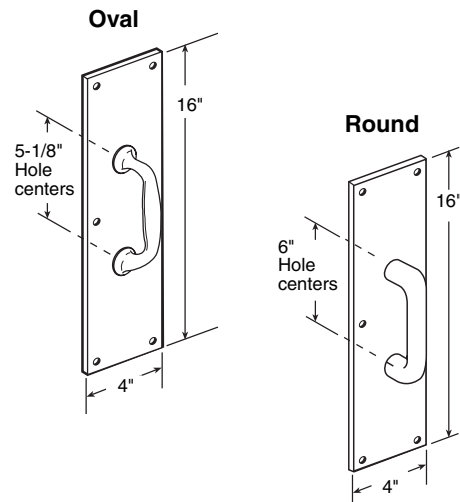
Contents: 1 pull plate assembly and installation screws.

Finish	Oval Handle	Round Handle
Satin aluminum	J-4579	J-4640
Polished brass	J-4578	J-4641
Stainless steel	-	J-4643
Bronze painted aluminum	-	J-4668

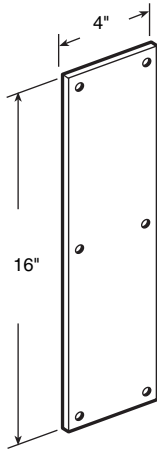
Description: Non-ferrous base metal; removable PVC protective coating on most plates; brass pulls have protective finish; bronze painted plates are powder coated; meets A.N.S.I. A156.6 specifications.

You may wish to stock these related parts: J-4657, J-4658, J-4659, J-4660.

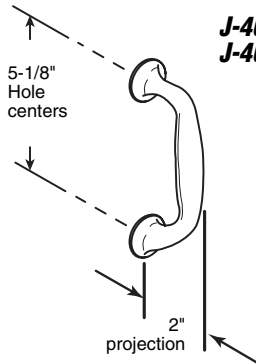
J-4579
J-4578
J-4640
J-4641
J-4643
J-4668



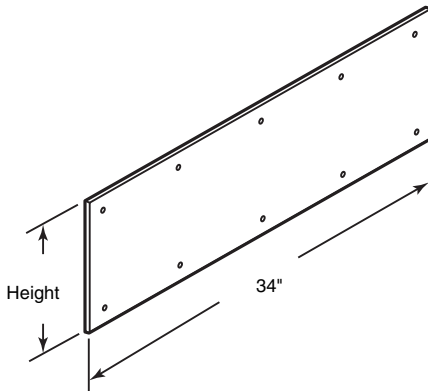
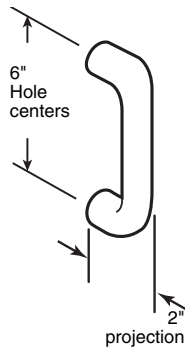
J-4580
J-4581
J-4626
J-4686
J-4630



J-4657
J-4658



J-4659
J-4660
J-4780
J-4781



J-4580 (Polished brass)
J-4581 (Satin aluminum)
J-4626 (Stainless steel)
J-4686 (Bronze painted aluminum)
J-4630 (Brite-brass finish on aluminum)

Push Plate

Contents: 1 push plate and installation screws.

Description: Non-ferrous base metals; removable PVC protective coating on most plates; bronze painted plates are powder coated; meets A.N.S.I. A156.6 specifications.

You may wish to stock these related parts: **J-4659, J-4660.**

J-4657 (Satin aluminum)
J-4658 (Polished brass)

Pull Handle (Oval)

Contents: 1 handle and fasteners.

Description: Cast non-ferrous base metals; brass pull has protective finish.

You may wish to stock these related parts: **J-4578, J-4579, J-4640, J-4641.**

J-4659 (Satin aluminum)
J-4660 (Polished brass)
J-4780 (Stainless steel)
J-4781 (Bronze painted aluminum)

Pull Handle (3/4" round)

Contents: 1 handle and fasteners.

Description: Non-ferrous base metals; brass pull has protective finish.

You may wish to stock these related parts: **J-4580, J-4581.**

Kick Plates

Height - Part Numbers

<i>Finish</i>	6"	8"	10"
Satin aluminum	J-4702	J-4616	J-4620
Polished brass	J-4704	J-4617	J-4621
Stainless steel	J-4708	J-4619	J-4623
Bronze painted aluminum	-	J-4631	J-4638
Brite-brass finish on aluminum	J-4703	J-4618	J-4622

Contents: 1 - 34" kickplate and installation screws.

Description: Non-ferrous base metals; removable PVC protective coating on most plates; bronze painted plates are powder coated; 34" width gives full door coverage on 36" wide doors allowing clearance for door stop.

Note: Custom sizes available on all finishes, except the painted bronze.

Full Mortise Hinges

PLAIN BEARING (2 per pkg.)

Finish - Part Numbers

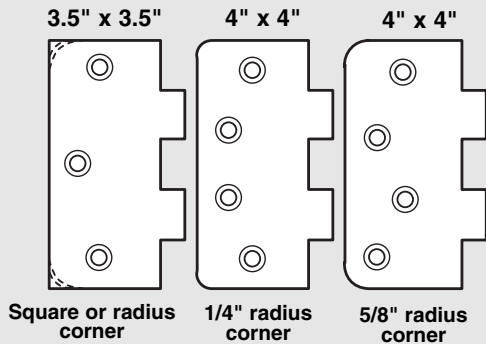
Size	Corners	Dull Brass	Prime Coat	Dull Chrome
3.5" x 3.5"	Square	U-10028	-	-
3.5" x 3.5"	1/4" radius	U-10029	-	-
3.5" x 3.5"	5/8" radius	U-10022	-	-
4" x 4"	1/4" radius	U-10023	-	-
4" x 4"	5/8" radius	U-10030	-	-
4.5" x 4.5"	Square	U-10031*	U-9165*	U-9164*

Contents: 2 hinges with fasteners.

Description: Plated and painted steel hinges; 5 knuckle; square or radiused corners; 4.5" x 4.5" hinges are supplied with non-removable pins to qualify for commercial applications.

*Note: 4.5" x 4.5" plain bearing hinges are 3 per pkg with fasteners.

Hole Specifications



BALL BEARING

Finish - Part Numbers

Size	Corners	Dull Brass	Prime Coat	Dull Chrome
4.5" x 4.5"	square	U-10032	U-9167	U-9166

Contents: 3 hinges with fasteners.

Description: Plated and painted steel hinges; 5 knuckle; available in square corner only; 4.5" x 4.5" hinges are supplied with non-removable pins, to qualify for commercial applications.

SPRING HINGE

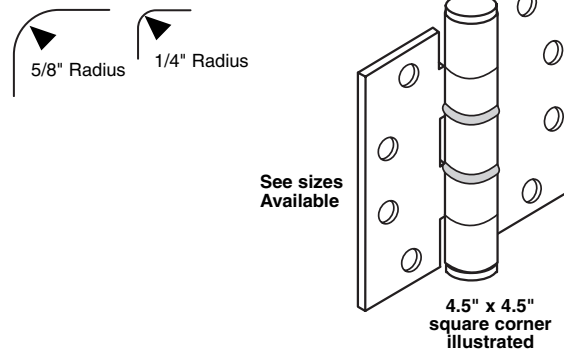
Finish - Part Numbers

Size	Corners	Dull Brass	Prime Coat	Dull Chrome
3.5" x 3.5"	1/4" radius	U-9225	-	U-10024
4" X 4"	1/4" radius	U-9339	-	U-10025
4" X 4"	5/8" radius	U-10026	-	-
4" X 4"	Square	-	U-9251	-
4.5" X 4.5"	Square	U-9315	U-9169	U-9168

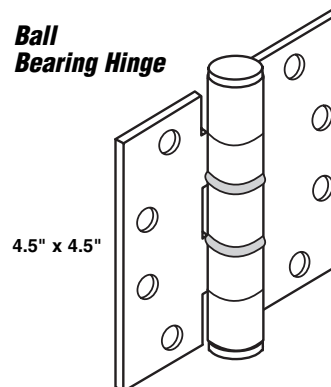
Contents: 1 hinge with fasteners.

Description: Plated and painted steel spring hinges; 3 knuckle; spring tension is fully adjustable.

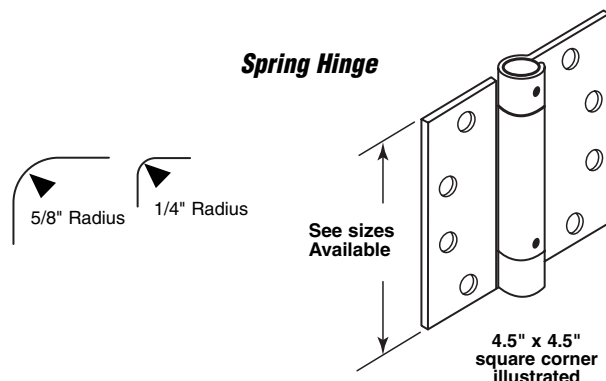
Plain Bearing Hinge



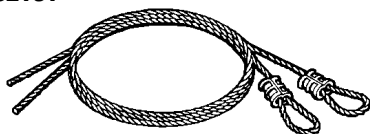
Ball Bearing Hinge



Spring Hinge



GD-52100
GD-52101



GD-52100 (1/8" cable)
GD-52101 (3/32" cable)

Extension Cables

Contents: 2 - 12' cables with loop ends.

Description: Galvanized carbon steel aircraft cables used on extension spring doors. 1/8" replaces most wood doors, 3/32" replaces most fiberglass and aluminum doors.

GD-52161



GD-52161

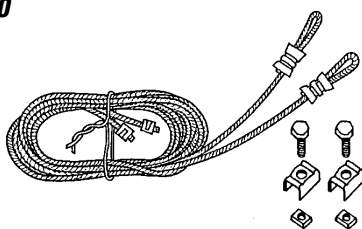
Extension Cables (Heavy duty)

Contents: 2 - 14' cables with loop ends.

Description: 5/32" galvanized carbon steel aircraft cables used on extension spring garage doors; replaces heavy duty wood, fiberglass and aluminum door applications.

You may also wish to stock these related parts: **GD-52100**, **GD-52101**.

GD-52102
GD-52240



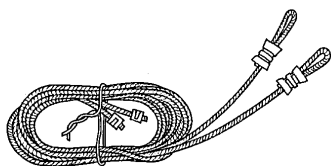
GD-52102 (2 pack)
GD-52240 (4 pack)

Safety Cables

Contents: 8' 6" cables with cable clamp set.

Description: 1/8" galvanized carbon steel aircraft cables; installs through extension springs to prevent injury in case of breakage. Required on California installations. 4 cable set used on dual spring doors.

GD-52183



GD-52183

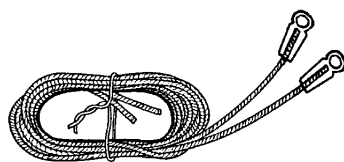
Torsion Spring Cables

Contents: 2 - 8' 8" cables with loop ends and stops.

Description: 1/8" galvanized carbon steel aircraft cable; for use on torsion spring doors, 7 feet high.

You may also wish to stock these related parts: **GD-52115**, **GD-52116**.

GD-52262



GD-52262

Extension Spring Cables

Contents: 2 - 13' 6" cables.

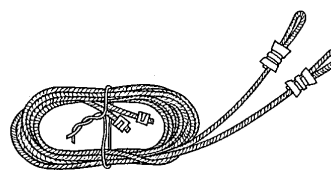
Description: 1/8" galvanized carbon steel aircraft cable. Special end clip designed for *Phoenix* doors.

GD-52263

Torsion Spring Cables

Contents: 2 - 8' 8" cables.

Description: 3/32" galvanized carbon steel aircraft cables; used on both single and double garages, fits glass doors.



GD-52263

GD-12149 (1/16")

GD-12150 (3/32")

GD-12151 (1/8")

GD-12152 (5/32")

GD-12153 (3/16")

GD-12154 (1/4")

GD-12256 (5/16")

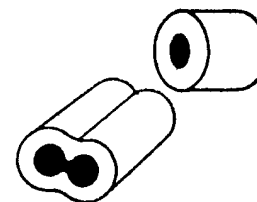
GD-12257 (3/8")

Cable Ferrules and Stops

Contents: 2 ferrules; 2 stops.

Description: Extruded aluminum ferrules are used to clamp cable loops into fixed position; stops finish off end of cable or as a stopping point at any location on cable. Select from eight stock cable sizes.

You may wish to stock these related parts: **GD-52100**, **GD-52101**, **GD-52161**.



Ferrules and Stops

GD-12170 (1/16")

GD-12172 (3/32")

GD-12174 (1/8")

GD-12176 (5/32")

GD-12178 (3/16")

GD-12180 (1/4")

GD-12258 (5/16")

GD-12259 (3/8")

Cable Ferrules (Bulk)

Contents: 100 bulk: GD-12170, GD-12172 and GD-12174
50 bulk: GD-12176
30 bulk: GD-12178
20 bulk: GD-12180
20 bulk: GD-12258
20 bulk: GD-12259

Description: Extruded aluminum ferrules are used to clamp cable loops into fixed position; select from eight stock cable sizes.

You may wish to stock these related parts: **GD-52100**, **GD-52101**, **GD-52161**.



Ferrules Only



Stops Only

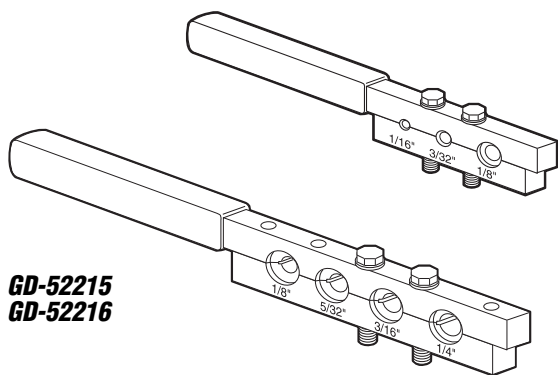
- GD-12171** (1/16")
- GD-12173** (3/32")
- GD-12175** (1/8")
- GD-12177** (5/32")
- GD-12179** (3/16")
- GD-12181** (1/4")

Cable Stops (Bulk)

Contents: 100 bulk: GD-12171, GD-12173 and GD-12175
 50 bulk: GD-12177
 30 bulk: GD-12179
 20 bulk: GD-12181

Description: Extruded aluminum stops are used to finish off end of cable or as a stopping point at any location on cable. Select from six stock cable sizes.

You may wish to stock these related parts: **GD-52100**, **GD-52101**.



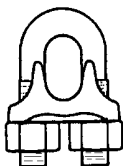
GD-52215
GD-52216

- GD-52215** (1/16" - 1/8")
- GD-52216** (1/8" - 1/4")

Swage-it Tool

Contents: 1 tool.

Description: Heavy duty 2 piece steel swage-it tool for crimping cable ferrules to cable; not designed for crimping stops.



Cable Clamps

- GD-12251** (1/16")
- GD-12260** (3/32")
- GD-12155** (1/8")
- GD-12261** (5/32")
- GD-12156** (3/16")
- GD-12157** (1/4")
- GD-12252** (5/16")
- GD-12253** (3/8")
- GD-12254** (1/2")

Cable Clamps

Contents: 2 cable clamp assemblies.

Description: Steel bolts and nuts; cast aluminum base; used to clamp cable loops into fixed positions; normal loop assembly uses 3 clamps.

You may wish to stock these related parts: **GD-12149** thru **GD-12154**, **GD-12256**, **GD-12257**.

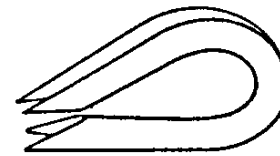
- GD-12246** (1/16")
- GD-12158** (1/8")
- GD-12247** (5/32")
- GD-12159** (3/16")
- GD-12160** (1/4")
- GD-12248** (5/16")
- GD-12249** (3/8")

Cable Thimbles

Contents: 2 cable thimbles.

Description: Carbon steel, zinc plated thimble forms non-collapsible loop in cable; protects cable strands from wear damage.

You may wish to stock these related parts: **GD-12151**, **GD-12153**, **GD-12154**.



Cable Thimbles

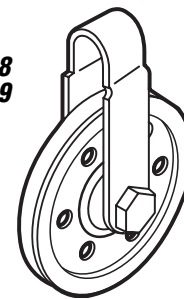
- GD-52108** (4" Diameter)
- GD-52109** (3" Diameter)

Pulley With Strap and Axle Bolt

Contents: 1 pulley; 1 strap; 1 axle bolt with nut.

Description: Heavy duty galvanized steel pulley with galvanized steel strap; case hardened steel race with steel ball bearings; factory lubricated; can be used at stationary or spring pulley positions.

GD-52108
GD-52109



- GD-52189** (2 pack)

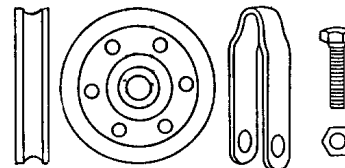
Pulley With Strap and Axle Bolt (3" Diameter)

Contents: 2 pulleys; 2 straps; 2 axle bolts with nuts.

Description: Heavy duty galvanized steel pulley with galvanized steel strap; case hardened steel race with steel ball bearings; factory lubricated; can be used at stationary or spring pulley positions.

You may wish to stock this related part: **GD-52109**.

GD-52189



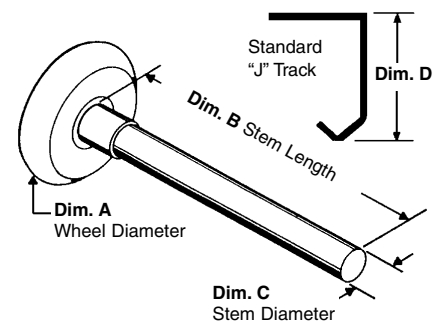
Rollers

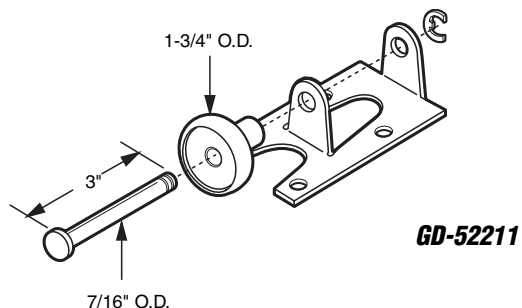
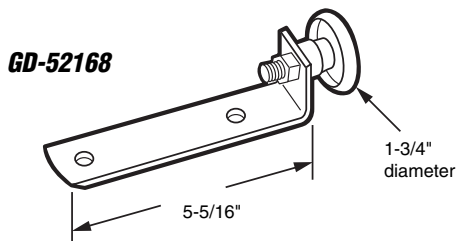
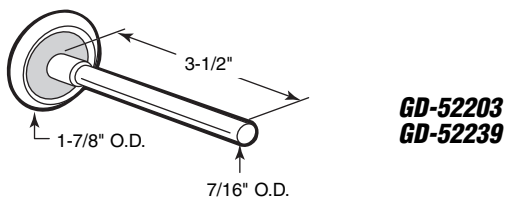
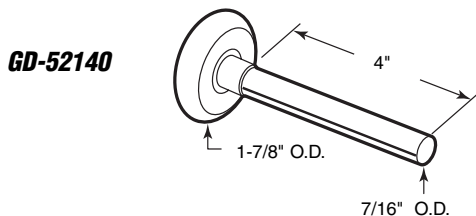
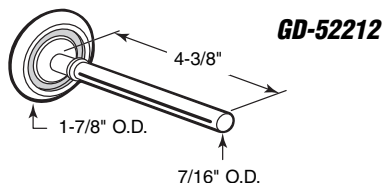
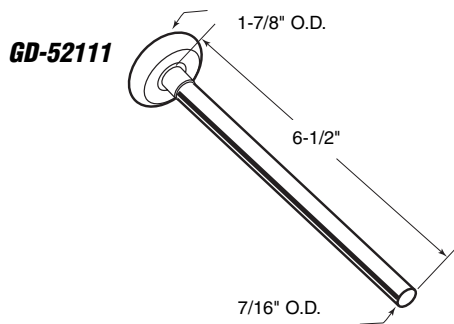
Contents: See Chart Below.

Description: Steel ball bearing rollers with steel inner race; factory lubricated; a selection to replace most garage door rollers.

Part No.	Dim. A	Dim. B	Dim. C	Dim. D	Pkg. Qty.	Desc.
GD-52110	1-7/8"	4"	7/16"	2"	2	Standard
GD-52112	1-5/16"	2-7/8"	5/16"	1-3/8"	2	Frantz 1"
GD-52113	1-7/8"	4-1/4"	5/16"	2"	2	Frantz 1/4"
GD-52114	1-7/8"	4-1/2"	3/8"	2"	2	Frantz 3/8"
GD-52190	1-7/8"	4"	7/16"	2"	4	Standard

You may wish to stock these related parts: **GD-12140**, **GD-12203**.





GD-52111 (Steel ball bearing)

Heavy Duty Roller (Long stem)

Contents: 1 roller assembly.

Description: Heavy duty **steel roller** with **steel inner race**; **10 ball bearings**; factory lubricated; used on side by side hinge placements for added strength.

You may wish to stock these related parts: **GD-52140**, **GD-52203**.

GD-52212 (Steel ball bearing)

Heavy Duty Roller (Short stem)

Contents: 2 roller assemblies.

Description: Heavy duty **steel roller** with **steel inner race**; **10 ball bearings**; same as **GD-52111** but, with shorter stem.

GD-52140 (Nylon ball bearing)

Standard Roller (For 2" track)

Contents: 2 roller assemblies.

Description: **Steel ball bearing** with **steel inner race** and **nylon tire** for smooth operation; **steel shaft**; factory lubricated; excellent performance in all weather conditions.

You may wish to stock these related parts: **GD-52140**, **GD-52203**.

GD-52203 (2 pack)

GD-52239 (4 pack)

Standard Roller (Plastic)

Contents: Roller assemblies.

Description: **High impact plastic rollers** have outstanding performance characteristics in all weather environments; quiet, trouble free operation.

You may wish to stock these related parts: **GD-52110**, **GD-52140**.

GD-52168

Roller and Bracket

Contents: 1 roller and bracket.

Description: **Plastic roller** and **steel bracket**; designed for **Taylor** one-piece garage doors; requires 4 rollers per door.

Call for Availability

GD-52211

Roller and Bracket

Contents: 1 roller and bracket.

Description: **Plastic roller** and **steel bracket** designed for **Stanley** one-piece steel garage doors; use 4 rollers per door.

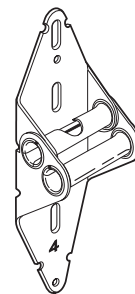
- GD-52104** (# 1 position & center)
- GD-52105** (# 2 position)
- GD-52106** (# 3 position)
- GD-52107** (# 4 position)

**14 gauge
1 per card**

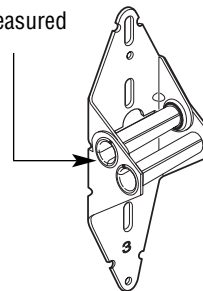
Standard Hinge (3" overall width)

Contents: 1 hinge; 4 ea. 1/4"- 20 x 1-7/8" pancake head carriage bolts with nuts.

Description: Heavy duty **14 gauge galvanized steel hinge**; roller tube accepts a standard **7/16" diameter stem** roller; used by most garage door manufacturers.



Note: Overall width is measured across the spindle tube.



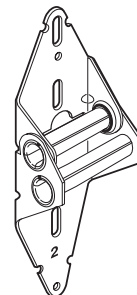
- GD-52185** (# 1 position & center)
- GD-52186** (# 2 position)
- GD-52187** (# 3 position)
- GD-52188** (# 4 position)

**14 gauge
2 per card**

Standard Hinge (3" overall width)

Contents: 2 hinges without fasteners.

Description: Heavy duty **14 gauge galvanized steel hinge**; roller tube accepts a standard **7/16" diameter stem** roller; used by most garage door manufacturers.



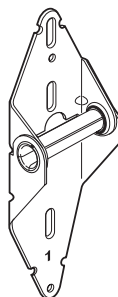
- GD-52242** (# 1 position & center)
- GD-52243** (# 2 position)
- GD-52244** (# 3 position)
- GD-52245** (# 4 position)

**18 gauge
1 per card**

Narrow Hinge (2-1/4" overall width)

Contents: 1 hinge; 4 each 1/4-20x1-7/8" pancake head carriage bolts.

Description: Medium duty **18 gauge galvanized steel hinge**; used by many garage door manufactures; roller tube accepts a standard **7/16" diameter stem** roller.



GD-52167

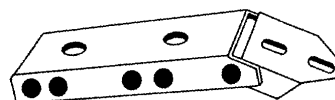
Quick Turn Fixture

Contents: 1 fixture.

Description: Heavy duty **galvanized steel**; for use on low headroom garage door conditions, where automatic openers are installed.

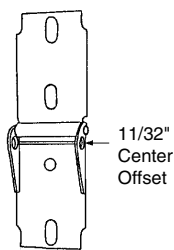
You may also wish to stock these related parts: **GD-52110**, **GD-52111**.

GD-52167

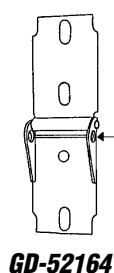


*Call for
Availability*

GD-52163



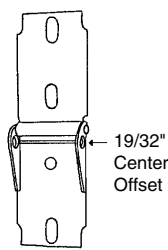
1 1/32"
Center
Offset



GD-52164

15/32"
Center
Offset

GD-52165



19/32"
Center
Offset

GD-52163 (#1 position)
GD-52164 (#2 position)
GD-52165 (#3 position)

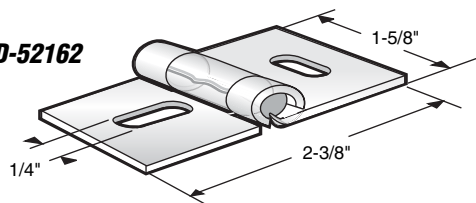
Hinge (For fiberglass doors)

Contents: 2 hinges; 8 ea. 1/4"-20 x 3/4" installation bolts.

Description: Heavy duty **galvanized steel**; accepts a **5/16" diameter stem roller**; fits on *Frantz* on 1200 (wood), 2400 and 2600 series doors.

You may wish to stock these related parts: **GD-52112**, **GD-52113**, **GD-52162**, **GD-52164**, **GD-52165**.

GD-52162



GD-52162

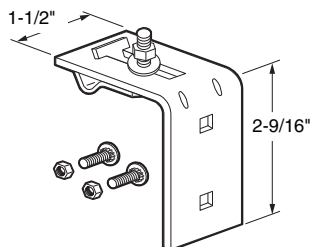
*Call for
Availability*

Center Hinge (For fiberglass doors)

Contents: 2 hinges; 4 ea. 1/4"-20 x 3/4" installation bolts.

Description: Heavy duty **galvanized steel**; old style application; fits on *Frantz* on 1200, 2400 and 2600 series doors.

You may wish to stock these related parts: **GD-52163**, **GD-52164**, **GD-52165**.



GD-52218

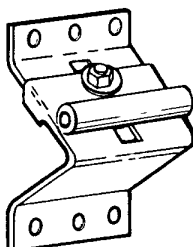
GD-52218

Top Fixture Bracket

Contents: 1 bracket; 2 ea. 1/4"-20 x 1/2" ribbed neck bolts and nuts.

Description: **Steel bracket**; adjustable; fits *Frantz* fiberglass doors.

GD-52117



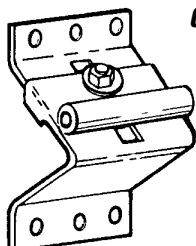
GD-52117

Top Roller Fixture

Contents: 1 fixture; 4 ea. 1/4" -20 x 1-7/8" pancake head carriage bolts with nuts.

Description: Heavy duty **galvanized steel** fixture with adjustable roller plate; accepts a standard **7/16" diameter stem roller**; used on most wood doors.

GD-52196



GD-52196 (2 pack)

Top Roller Fixtures

Contents: 2 fixtures without fasteners.

Description: Heavy duty **galvanized steel** fixture with adjustable roller plate; accepts a standard **7/16" diameter stem roller**; used on most wood doors.

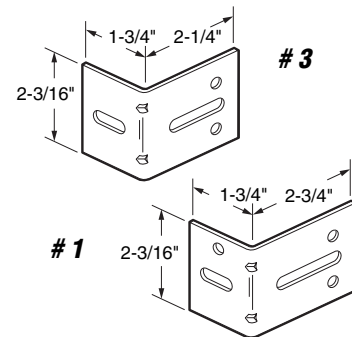
GD-52220

Track Brackets

Contents: 1 #1 & 1 #3 track bracket; 2 ea. 1/4" -20 x 1/2" ribbed neck bolts with nuts.

Description: Steel brackets; used to fasten track to wall.

GD-52220



GD-52115 (Right Hand)

GD-52116 (Left Hand)

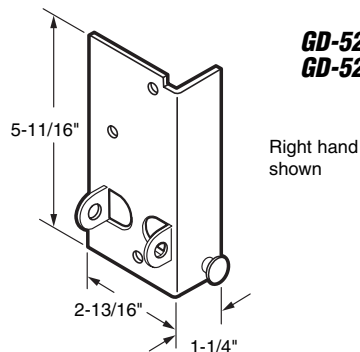
Bottom Lifting Brackets

Contents: 1 bracket; 3 ea. 1/4"-20 x 1-7/8" pancake head carriage bolts with nuts.

Description: Heavy duty 13 gauge galvanized steel construction steel cable pin used on most wood doors; accepts a standard 7/16" stem diameter roller. Handling viewed from inside garage.

You may wish to stock these related parts: **GD-52100**, **GD-52101**, **GD-52115** and **GD-52116**.

GD-52115
GD-52116



Right hand shown

GD-52197 (2 pack)

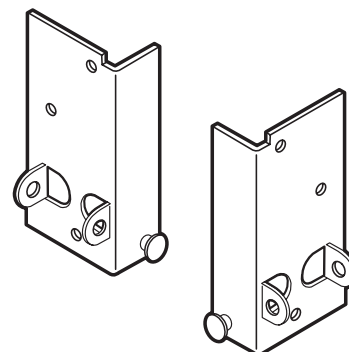
Bottom Lifting Brackets

Contents: 2 brackets (1 left hand and 1 right hand); without fasteners.

Description: Heavy duty 13 gauge galvanized steel construction steel cable pin; used on most wood doors; accepts a standard 7/16" diameter stem roller.

You may wish to stock these related parts: **GD-52100**, **GD-52101**, **GD-52115** and **GD-52116**.

GD-52197



GD-52122 (Chrome - 1 pack)

GD-52200 (Chrome - keyed alike - 2 pack)

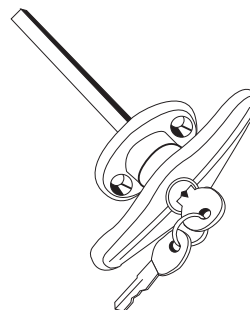
GD-52213 (Brass - 1 pack)

"T" Locking Handle

Contents: Locking handles with keys.

Description: Zinc diecast construction; keyed lock; 5/16" square shaft, 3" long; replaces most garage door, camper and R.V. locking handles.

GD-52122
GD-52200
GD-52213



1-1/2" Hole Centers

GD-52144 (Chrome)

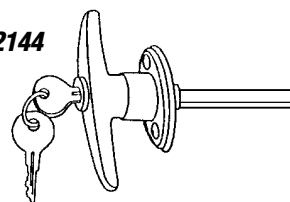
"T" Locking Handle

Contents: 1 locking handle; 2 keys.

Description: Zinc diecast construction; keyed lock; 5/16" square shaft, 2" long; replaces many garage door, camper and R.V. locking handles.

You may also wish to stock these related parts: **GD-52121**, **GD-52123**.

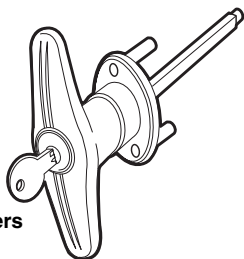
GD-52144



1-1/2" Hole Centers

GD-52169

1-1/2" Hole Centers



GD-52169 (Chrome)

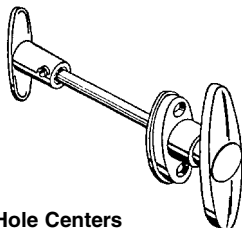
"T" Locking Handle

Contents: 1 locking handle; 2 keys.

Description: Zinc diecast construction; keyed lock; 5/16" square shaft, 3-5/8" long; replaces many garage door, camper and R.V. locking handles. Screws attach to lock from the inside of door.

GD-12121

1-1/2" Hole Centers



GD-52121

"T" Handle

Contents: 1 outside handle; 1 inside handle with set screws.

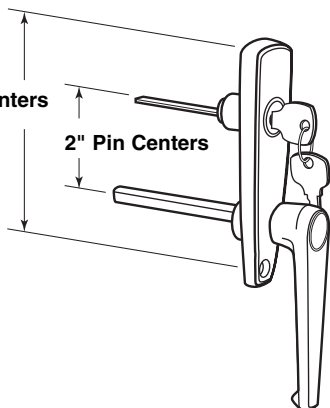
Description: Diecast outside handle has 5/16" square, 3" long shaft; inside handle is diecast zinc with set screw; used when locking cylinder is mounted separately.

You may wish to stock this related part: **GD-52119, GD-152139, GD-52199.**

4-1/4" Hole Centers

2" Pin Centers

GD-52147



GD-52147 (Chrome)

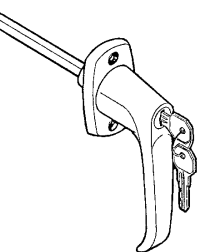
"L" Handle and Locking Unit

Contents: 1 handle and housing; 1 cylinder lock with 2 keys; 1 set of installation fasteners.

Description: Plated diecast handle and housing with 5/16" square shaft, 3-1/8" long; keyed lock with break-off spindle; works with **GD-12138** slide lock.

You may wish to stock this related part: **GD-52138.**

GD-52123
GD-52201
GD-52214



1-3/4" Hole Centers

GD-52123 (Chrome - 1 pack)

GD-52201 (Chrome - keyed alike - 2 pack)

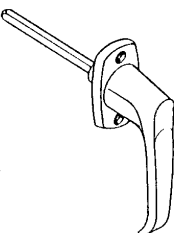
GD-52214 (Brass - 1 pack)

"L" Locking Handle

Contents: Locking handles with keys.

Description: Zinc diecast construction; keyed lock; 5/16" square shaft, 2-7/8" long; replaces most garage door, camper and R.V. locking handles.

GD-52148



1-3/4" Hole Centers

GD-52148 (Chrome)

"L" Handle

Contents: 1 handle.

Description: Diecast "L" handle with 5/16" square shaft, 3" long; non-keyed handle for use with various inside latching devices.

You may wish to stock these related parts: **GD-52119, GD-52199.**

Call for Availability

GD-52138

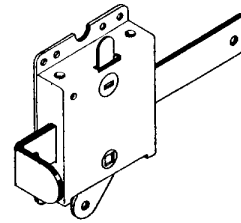
Side Lock

Contents: 1 lock assembly.

Description: Heavy duty **galvanized steel**, **spring loaded**, **lock** with latch bolt release lever. Used with **GD-52147** outside lock and latch assembly.

You may wish to stock these related parts: **GD-52121**, **GD-52139**, **GD-52147**.

GD-52138

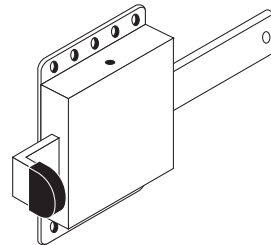


GD-52118

Inside Deadlock

Contents: 1 lock assembly; 4 ea. 1/4"-20 x 1-7/8" pancake head carriage bolts with nuts.

Description: 7/8" wide x 1/8" thick **steel slide bolt** with heavy duty **galvanized steel housing**; works only from the inside for extra protection as a **night or vacation security lock**; engages slot in vertical track; fits most garage doors.



GD-52118

GD-52137

Slide Latch (Side Mount)

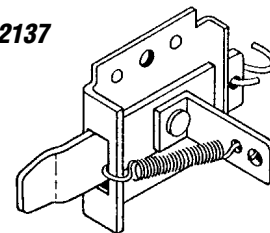
Contents: 1 latch.

Description: Heavy duty **galvanized steel** construction; spring loaded for positive latching; fits on **Frantz** and other manufacturers.

You may wish to stock these related parts: **GD-52162** thru **GD-52165**.

*Call for
Availability*

GD-52137



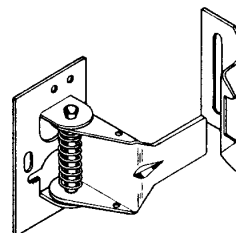
GD-52124

Snap Lock (Side Mount)

Contents: 1 latch; 1 latch strike; 3 ea. 1/4"-20 x 1-7/8" pancake head carriage bolts.

Description: Heavy duty **galvanized steel** construction; spring loaded for positive latching; will fit on most 2" track configurations; used by many manufacturers.

You may wish to stock these related parts: **GD-52120**, **GD-52122**.



GD-52124

GD-52219

Strike Plate

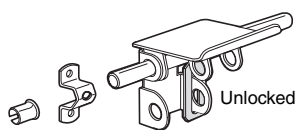
Contents: 2 strikes; installation bolts.

Description: **Zinc plated steel** construction; used with many different style snap locks.

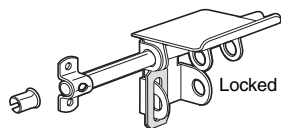
You may wish to stock these related parts: **GD-52120**, **GD-52122**.

GD-52219

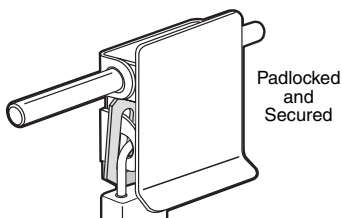




Unlocked



Locked



Padlocked and Secured

Padlock not included

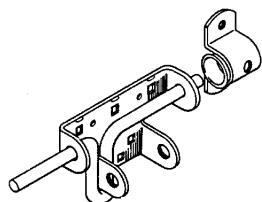
GD-52241

GD-52241

Garage & Shed Lock (Tamper-proof)

Contents: 1 latch; 2 bolt keepers; installation bolts.

Description: Heavy gauge zinc plated steel lock; has tamperproof cover plate; can be used with surface mount or mortise bolt keepers; use with a padlock.



GD-52145

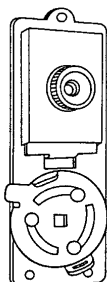
GD-52145

Slide Bolt Latch

Contents: 1 latch; 2 bolt keepers; 1 set of installation screws.

Description: Heavy gauge, zinc plated steel slide bolt latch with both surface mount or mortise bolt keepers. Use with a padlock.

GD-52166



GD-52166

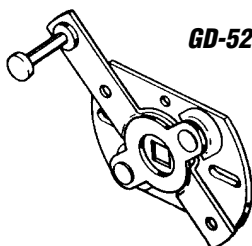
Night Latch

Contents: 1 lock assembly.

Description: Heavy duty galvanized steel; works with 5/16" square shaft exterior locking handle GD-52121 and GD-52139 rim cylinder; used on both *Frantz* fiberglass and wood doors.

You may also wish to stock these related parts: GD-52122, GD-52123, GD-52162, GD-52163, GD-52164, GD-52165.

Call for Availability



GD-52120

GD-52120

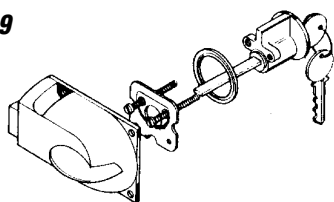
Swivel Latch (Center Mount)

Contents: 1 swivel latch; 4 ea. no. 8 x 1-1/4" Phillips pan head sheet metal screws.

Description: Heavy duty galvanized steel construction; accepts a 5/16" square shaft locking handle; fits on *Frantz* and others as a lever mechanism to disengage side latches.

You may wish to stock these related parts: GD-52122, GD-52123.

GD-52119



GD-52119 (Aluminum)

Center Mount Deadbolt Lock

Contents: 1 inside latch bolt assembly; 1 outside cylinder lock with 2 keys; 1 set of fasteners.

Description: Painted diecast inside lock with heavy duty steel spring bolt; key cylinder has aluminum face and 5 pin tumbler lock with cylinder ring, will replace most locking mechanisms of this type; used by many manufacturers.

You may wish to stock these related parts: GD-52139, GD-52199.

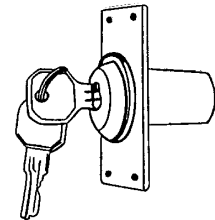
GD-52142

Electric Key Switch

Contents: 1 key cylinder with **plastic** housing and face plate assembly; 2 keys.

Description: Allows operation of garage door opener without a transmitter; mount to the exterior door jamb and hard wire to opener.

GD-52142



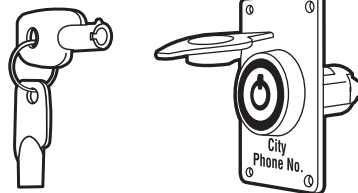
GD-52264 (Chrome)

Electric Key Switch (High Security)

Contents: 1 cylinder lock and housing assembly with 2 keys; 4 spiral nails.

Description: Diecast housing and waterproof cover; 7 pin cylinder lock has **chrome plated brass housing**; pick resistant, high security; momentary contact, uses 3 amp 250vac.

GD-52264



GD-52143 (Brushed chrome)

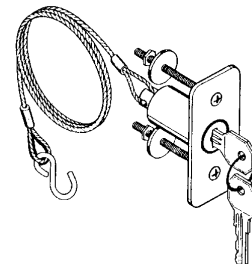
Emergency Release Kit

Contents: 1 key cylinder and housing assembly with 2 keys; 1 - 36" release cable; 1 set of fasteners.

Description: Diecast housing; designed to release automatic garage door opener in event of power failure; for garages without side access doors.

You may wish to stock this related part: **GD-52142**.

GD-52143



GD-52139

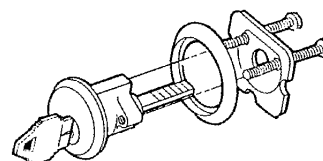
Rim Cylinder Lock

Contents: 1 cylinder lock with trim ring and 2 keys; 1 mounting plate and 2 screws.

Description: Heavy duty **zinc diecast housing** with **brass face** and **5 pin tumbler lock**. Used to key lock a variety of interior latching mechanisms.

You may wish to stock these related parts: **GD-52119**, **GD-52138**.

GD-52139



GD-52199

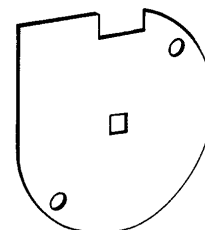
Lock Bar Disc

Contents: 1 disc.

Description: Galvanized steel disc is used to drive the door lock bars. Accepts a 5/16" square shaft handle (**GD-52121**); acts as a keeper for **GD-52119** center mount deadbolt lock.

You may wish to stock these related parts: **GD-52119**, **GD-52121**, **GD-52139**.

GD-52199

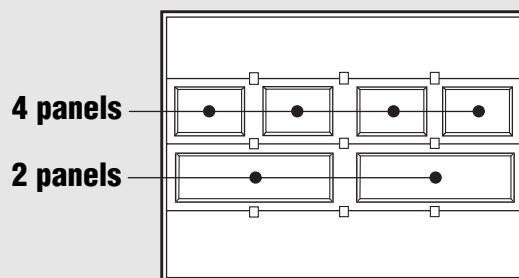
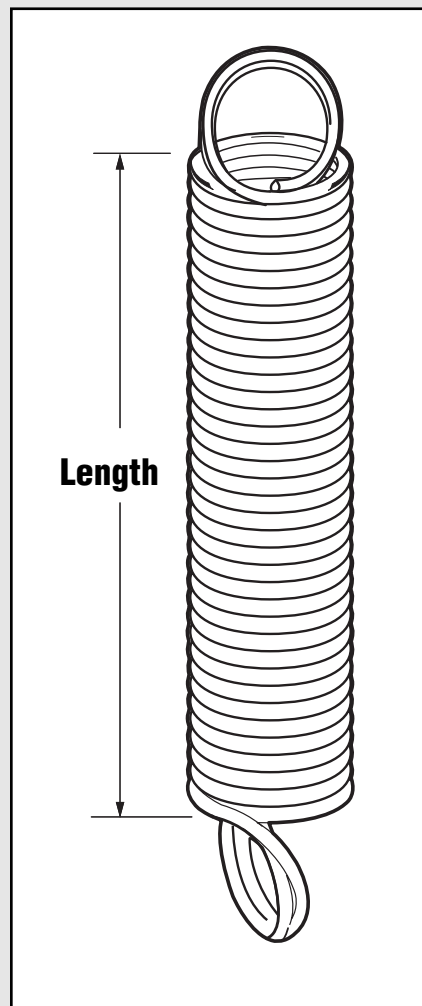


Product Number	Spring Size	Color Code	Door Size	Number of Springs on Door	Springs on each Side
GD-12279	50 lbs.	Orange	• Use on Single car fiberglass doors	2	1
<i>(With Safety Cable)</i>					
(25" Long)					
GD-12202	70 lbs.	Yellow	• Use on single car fiberglass doors	2	1
<i>(With Safety Cable)</i>					
(25" Long)					
GD-12191	110 lbs.	Blue	• Wood Door, 8' Wide x up to 6'6" High; 2 Panels; 4 sections • Fiberglass Door, 16' Wide x up to 7' High; 4 Sections	2	1
<i>(With Safety Cable)</i>					
(25" Long)					
GD-12277	110 lbs.	Blue	• Use on Taylor doors; for 2 car metal doors	2	1
<i>(With Safety Cable)</i>					
(29" Long)					
GD-12192	120 lbs.	Green	• Wood Door, 8' Wide x up to 7' High; 2 Panels; 4 Sections • Fiberglass Door, 16' Wide x 7' High; 4 Sections	2	1
<i>(With Safety Cable)</i>					
(25" Long)					
GD-12193	130 lbs.	Black	• Wood Door, 8' Wide x up to 7' High; 4 Panels; 4 Sections	2	1
<i>(With Safety Cable)</i>					
(25" Long)					
GD-12194	140 lbs.	Red	• Wood Door, 9' Wide x up to 7' High; 2 Panels; 4 Sections • Wood Door, 16' Wide x 7' High; 2 Panels; 4 Sections	2 4	1 2
<i>(With Safety Cable)</i>					
(25" Long)					
GD-12195	150 lbs.	Silver	• Wood Door, 9' Wide x 7' High; 4 Panels; 4 Sections • Wood Door, 16' Wide x 7' High; 4 Panels; 4 Sections	2 4	1 2
<i>(With Safety Cable)</i>					
(25" Long)					
GD-12207	150 lbs.	Silver	• 9' Wide x 7' High; 4 Panels; 4 Sections • 16' Wide x 7' High; 4 Panels; 4 Sections	2 4	1 2
<i>(With Safety Cable)</i>					
(22' Long - Special for Frantz doors)					
GD-12205	160 lbs.	Brown	• Wood Door, 9' Wide x 7' High; 4 Panels; 4 Sections • Wood Door, 16' Wide x 7' High; 4 Panels; 4 Sections	2 4	1 2
<i>(With Safety Cable)</i>					
(25" Long)					
GD-12267	170 lbs.	Yellow	• Wood Door, 10' Wide x 7' High; 4 Panels; 4 Sections • Wood Door, 16' Wide x 7' High; 8 Panel; 4 Sections	2 4	1 2
<i>(With Safety Cable)</i>					
(25" Long)					
GD-12278	285 lbs.	-	• Use on 2 car wood doors	2	1
<i>(With Safety Cable)</i>					
(28" Long)					

Extension Springs (with Safety Cable) for Sectional Overhead Type Doors

Contents: 1 spring per package; **minimum order quantity 6** springs each. **Rated at 10,000 cycles.**

Description: Heavy duty; extension springs. It is always advisable to replace all door springs, even though only one may have broken; safety cables protect against personal injury and property damage from broken springs.



4 section door

Garage Door

GD-52198 (2 plates for 3" pulley)

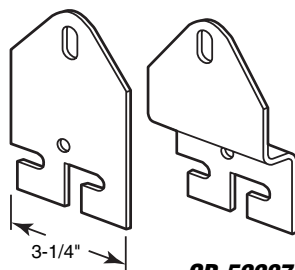
GD-52287 (2 pairs for 4" pulley)

Dual Spring Hook Plates

Contents: Hook plates.

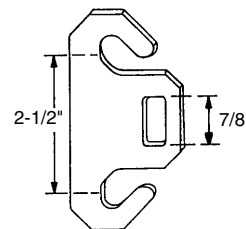
Description: Galvanized steel plates used to attach 2 springs to the moving pulley strap. For heavy duty door applications.

You may wish to stock this related part: **GD-12108, GD-12109.**



GD-52287

GD-52198



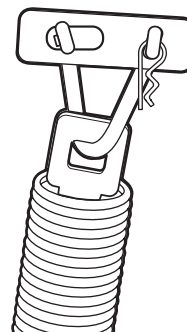
GD-12146 - 110/120 lbs. (#728)

GD-12255 - 135/145 lbs. (#528)

"One Piece" Door Spring

Contents: 1 spring.

Description: Very popular West Coast spring has stamped steel end plugs attached to safety containment rods; supplied with 2 "W" hook assemblies for either one or two spring replacement. These springs are approved and certified by the State of California Department of Housing and Community Development and comply with the California Building Standards Code (CBSC) Title 24, Part 2, Section 312.7.



**GD-12146
GD-12255**

GD-12269 (16" long)

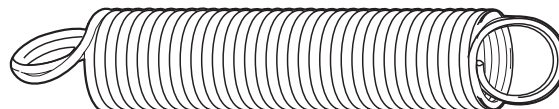
GD-12270 (16" long - includes safety cable)

"One Piece" Taylor Door Spring

Contents: 1 spring.

Description: Double loop spring; 1-1/4" I.D.; 10 coils = 1-7/8"; for single car garage doors. Uses a black color code.

**GD-12269
GD-12270**

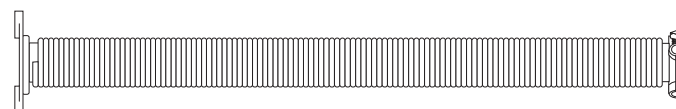


Torsion Springs

Contents: 1 spring with winding cone and anchor cone attached.

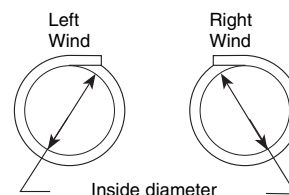
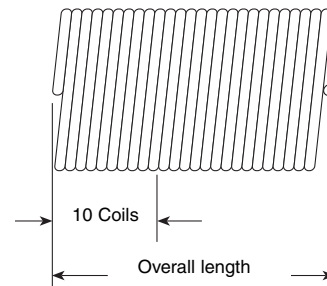
Part Number	Color Code	Wire Size	Inside Diameter	Overall Length	Wind
GD-12224	Silver	.207	1-3/4"	18"	Right
GD-12225	Silver	.207	1-3/4"	18"	Left
GD-12226	Blue	.218	1-3/4"	20"	Right
GD-12227	Blue	.218	1-3/4"	20"	Left
GD-12228	Red	.243	1-3/4"	32"	Right
GD-12229	Red	.243	1-3/4"	32"	Left
GD-12230	White	.250	1-3/4"	32"	Right
GD-12231	White	.250	1-3/4"	32"	Left
GD-12232	Yellow	.243	2"	32"	Right
GD-12233	Yellow	.243	2"	32"	Left
GD-12234	Green	.250	2"	32"	Right
GD-12235	Green	.250	2"	32"	Left

Description: Most doors, in recent years, have been supplied with torsion springs; located directly above the door and mounted to the header. Replacement will require the use of 2 - winding rods (**GD-12238**) and a clear understanding of wire size and handing. The chart at right will help to determine these two factors.

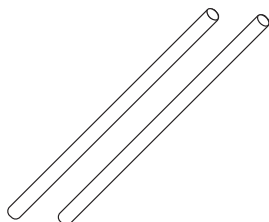
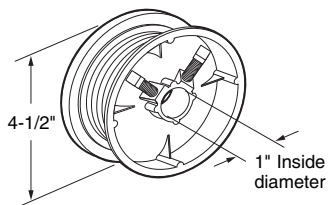


Measure 10 coils and refer to chart for wire size.

Wire Chart	Wire Size
	2-1/16" = .207
	2-3/16" = .218
	2-7/16" = .243
	2-1/2" = .250

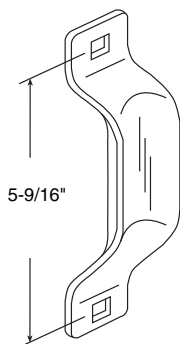
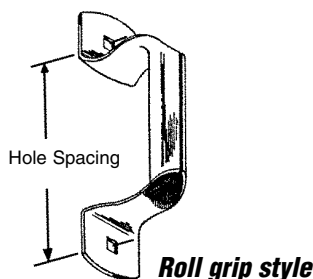


GD-12222
GD-12223



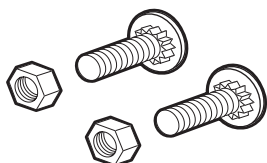
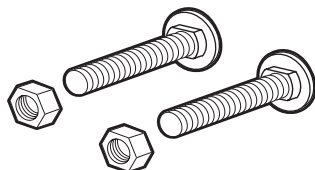
GD-52238

GD-52129
GD-52130



GD-52288
GD-52217

GD-52103



GD-52265

GD-12222 (Left hand)
GD-12223 (Right hand)

Torsion Spring Cable Drum

Contents: 1 cable drum, with set screws.

Description: Diecast cable drum used on torsion spring doors; spools lifting cable as door operates. Accepts cables up to 1/8" in diameter; maximum weight load, per drum, is 265 lbs. Color coded **Red** (right hand); **Black** (left hand).

GD-52238

Winding Rods

Contents: 2 winding rods.

Description: 1/2" diameter x 16" long, hard drawn wire rods; used to wind and unwind tension on torsion springs; **these are the only tools recommended for this purpose.**

GD-52129 (5" open grip)

GD-52130 (6" roll grip)

Bottom Lift Handle

Contents: 2 handles; 4 ea. 1/4" -20 x 1-7/8" pancake head carriage bolts with nuts.

Description: Galvanized steel construction; lift handle can be used in vertical or horizontal position; replaces most handles currently in use.

GD-52288 (Zinc plated)

GD-52217 (Brass plated)

Bottom Lift Handle

Contents: 1 handle; 2 ea. 1/4"-20 x 1-7/8" pancake head carriage bolts with nuts.

Description: Steel construction; handle can be used in vertical or horizontal position; replaces most handles currently in use.

You may wish to stock this related part: **GD-12129, GD-12130.**

GD-52103

Carriage Bolts With Nuts

Contents: 12 ea. 1/4"-20 x 1-7/8" pancake head carriage bolts; with nuts.

Description: Zinc plated bolts; used to attach most hardware to garage doors; flat head allows for smooth exterior finish.

GD-52265

Ribbed Neck Bolts With Nuts

Contents: 12 ea. 1/4" - 20 x 1/2" pancake head, ribbed neck bolts with nuts.

Description: Slotted, zinc plated bolts and hex nuts; used on fiberglass garage doors.

Garage Door

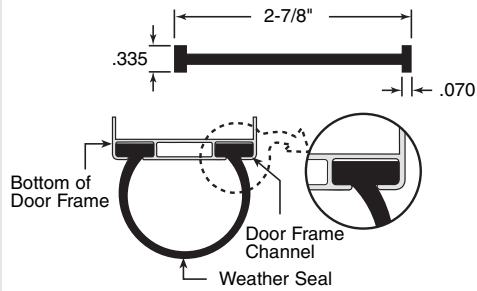
GD-12127 (9' long)
GD-12128 (16' long)

*Call for
Availability*

Weatherstrip (Fiberglass and Aluminum Door)

Contents: 1 vinyl strip.

Description: Gray vinyl material has excellent performance characteristics in all weather conditions. Fits on fiberglass and metal doors by *Frantz*, *Clopay* and many other manufacturers.



GD-12127
GD-12128

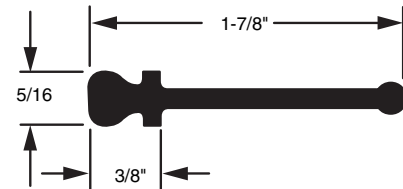
GD-12273 (10' long)
GD-12274 (16' long)

Weatherstrip (Metal Door)

Contents: 1 vinyl strip.

Description: Fits 1 piece & metal sectional doors, weatherstrip is constructed of a gray vinyl material. Will not freeze under sub-zero temperatures.

GD-12273
GD-12274

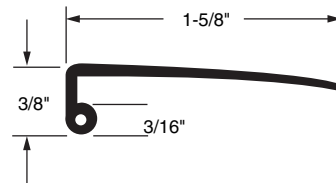


GD-12275 (10' long)
GD-12276 (16' long)

Weatherstrip (Metal Door)

Contents: 1 vinyl strip.

Description: Fits 1 piece & metal sectional doors, weatherstrip is constructed of a gray vinyl material. Will not freeze under sub-zero temperatures.



GD-12275
GD-12276

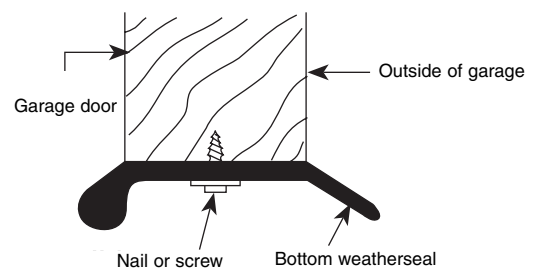
GD-12125 (9' long)
GD-12126 (16' long)

Weatherstrip (Wood Door)

Contents: 1 vinyl strip with nails.

Description: Black vinyl material has excellent consistency even in the coldest weather; will fit a standard 1-3/8" thick garage door; used by many wood door manufacturers.

GD-12125
GD-12126



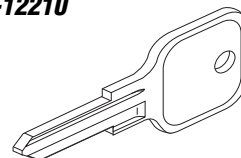
GD-12210

Key Blanks

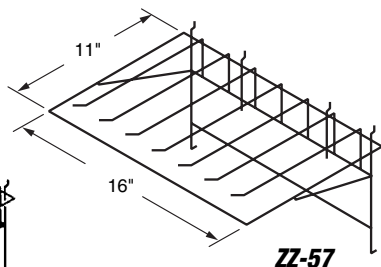
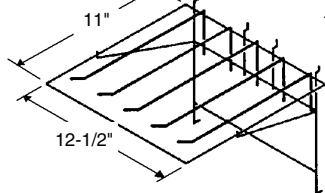
Contents: 25 blanks per bag.

Description: Standard key blanks for re-keying "T" and "L" locking handles; for **GD-12122** and **GD-12123**.

GD-12210



GD-12136

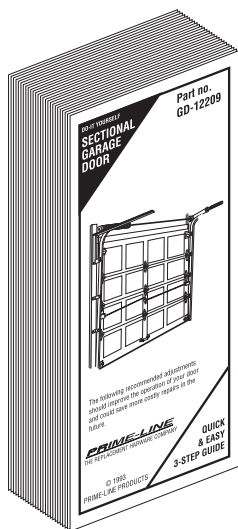


GD-12136 (5 prong)
ZZ-57 (7 prong)

Spring Rack

Contents: 1 wire rack.

Description: Plated steel wire rack holds up to 5 or 7 different sizes of springs; attaches to existing pegboard.



GD-12209

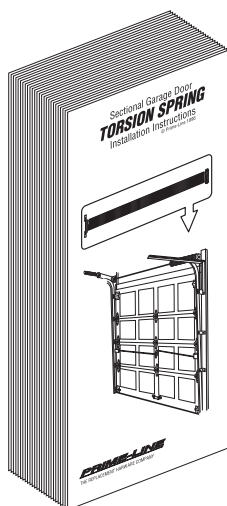
GD-12209
ZZ-34 (With wire rack)

Maintenance Brochures

Contents: 50 brochures.

Description: Complete how-to instructions on adjusting spring tension, leveling door, and general problem solving.

GD-12280



GD-12280
ZZ-58 (With wire rack)

Torsion Spring Brochures

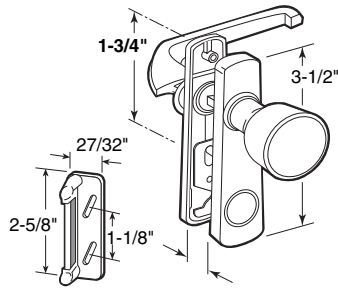
Contents: 50 Brochures.

Description: Detailed instructions on how to remove and replace torsion springs. **NOTE:** It is advisable to use a professional installer for this project.

Can't find what your looking for ?

Call our customer service department at the number below. We may be able to source it for you!

K-5000
K-5001
K-5002
K-5121
K-5170



5/8" to 1-1/4" thick doors

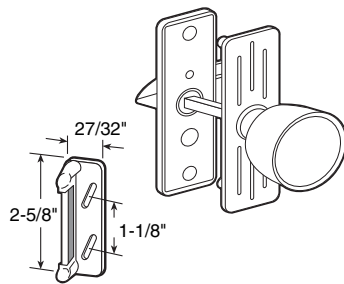
K-5000 (Aluminum)
K-5001 (Black)
K-5002 (Gold)
K-5121 (White)
K-5170 (Chocolate brown)

Tulip Knob Latch

Contents: 1 outside knob; 1 inside latch; 1 strike; 1 set of installation screws.

Description: Designed for outswinging wood or metal, screen or storm doors; **5/8" to 1-1/4" thick**, complete with night lock; **(1-3/4" hole spacing)**.

You may also wish to stock these related parts: **K-5003, K-5004, K-5027, K-5028.**



K-5077

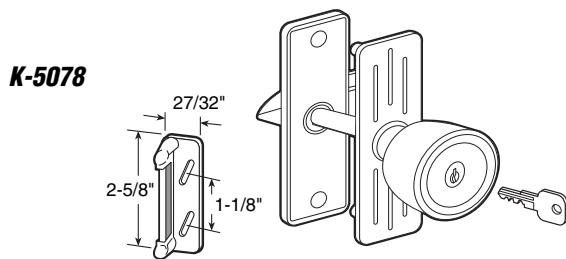
K-5077 (Aluminum)

Tulip Knob Latch

Contents: 1 outside knob; 1 inside handle; 1 strike; 1 set of installation screws.

Description: For most outswinging doors **1" to 1-1/4" thick**; interior locking mechanism; **(3" hole spacing)**.

You may also wish to stock these related parts: **K-5058, K-5067, K-5074, K-5078.**



K-5078

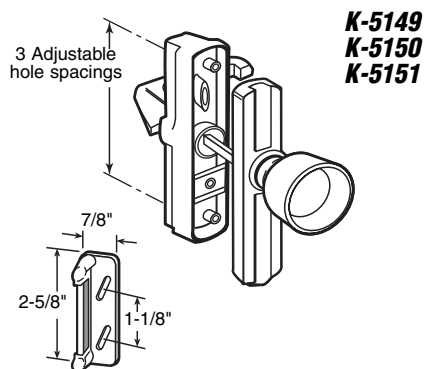
K-5078 (Aluminum)

Tulip Knob Lock

Contents: 1 outside locking knob; 1 inside handle; 1 strike; 2 keys; 1 set of installation screws.

Description: For most outswinging doors **1" to 1-1/4" thick**; key-in knob is used for re-entry only; **(3" hole spacing)**.

You may also wish to stock these related parts: **K-5058, K-5067, K-5073, K-5074, K-5076.**



K-5149
K-5150
K-5151

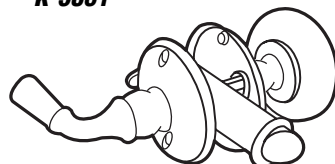
K-5149 (Aluminum)
K-5150 (Black)
K-5151 (White)

Universal Knob Latch (Adjustable hole centers)

Contents: 1 outside knob; 1 inside handle; 1 strike; 2 shims; 2 screw inserts; 1 set of installation screws.

Description: For outswinging doors **5/8" to 1-1/4" thick**; interior locking; movable screw inserts to accommodate **(1-1/2", 1-3/4" and 3" hole spacing)**.

K-5081



K-5081 (Polished brass)

Mortise Door Lock

Contents: 1 outside knob; 1 inside handle; 1 mortise latch; 2 backplates; includes all installation parts.

Description: **Solid brass (knob, handle & backplates)**; for wood and metal doors **7/8" to 1-3/8" thick**; interior locking mechanism; round outside knob and lever action inside handle; primarily used on wood doors; requires a **1-3/4" backset**.

You may also wish to stock these related parts: **K-5026, K-5027, K-5028, K-5067, K-5073, K-5074, K-5076.**

Storm and Screen Door

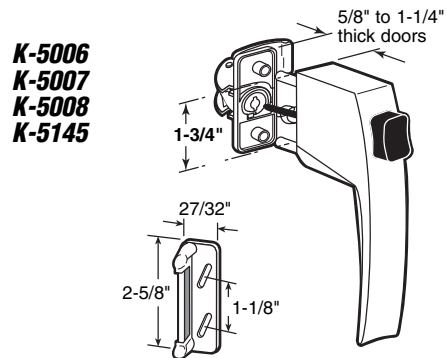
- K-5006** (Aluminum)
- K-5007** (Black)
- K-5008** (Gold)
- K-5145** (White)

Push Button Latch

Contents: 1 outside handle; 1 inside latch; 1 strike; 1 set of installation screws.

Description: Designed for outswinging wood or metal, screen or storm doors; **5/8" to 1-1/4" thick**, complete with night lock; (**1-3/4" hole spacing**).

You may also wish to stock these related parts: **K-5003, K-5004, K-5027, K-5028.**



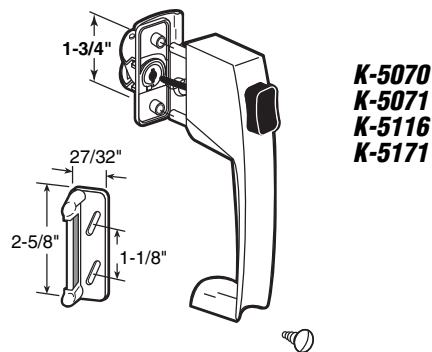
- K-5070** (Aluminum)
- K-5071** (Black)
- K-5116** (White)
- K-5171** (Chocolate brown)

Push Button Latch

Contents: 1 outside handle; 1 inside latch; 1 strike; 1 set of installation screws.

Description: Designed for outswinging wood or metal, screen or storm doors; **1" to 1-1/4" thick**; complete with night lock; contemporary design with tie-down screw at bottom of handle; (**1-3/4" hole spacing**); for **key locking**, use **K-5024**.

You may wish to stock these related parts: **K-5027, K-5028.**



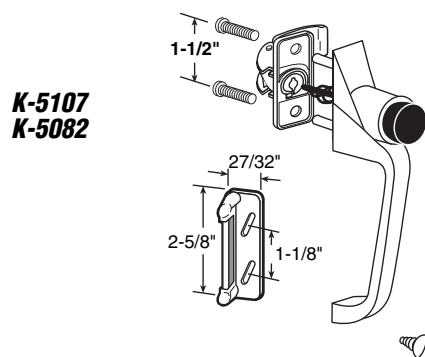
- K-5107** (Aluminum)
- K-5082** (Black)

Push Button Latch

Contents: 1 outside handle; 1 inside latch; 1 strike; 1 set of installation screws.

Description: For outswinging screen and storm doors **1" to 1-1/4" thick**; interior locking and no-lockout feature; (**1-1/2" hole spacing**).

You may wish to stock these related parts: **K-5026, K-5028, K-5073, K-5076, K-5082.**



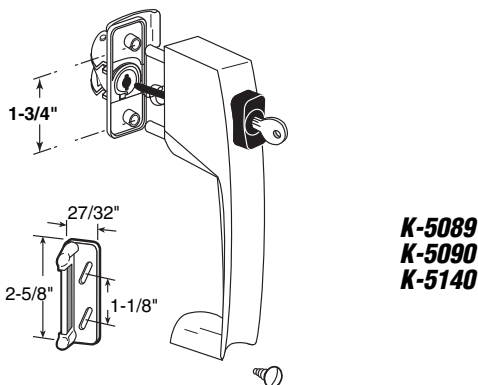
- K-5089** (Aluminum)
- K-5090** (Black)
- K-5140** (White)

Push Button Lock

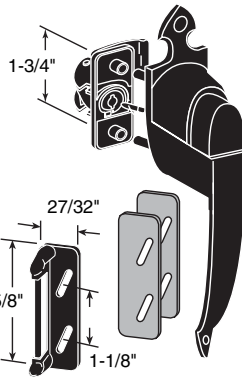
Contents: 1 outside handle; 1 inside latch; 1 keyed locking unit; 1 strike; 1 set of installation screws.

Description: Designed for outswinging wood or metal, screen or storm doors, **1" to 1-1/4" thick**; contemporary design with tie-down screw at bottom of handle; (**1-3/4" hole spacing**).

You may wish to stock these related parts: **K-5027, K-5028.**



K-5079



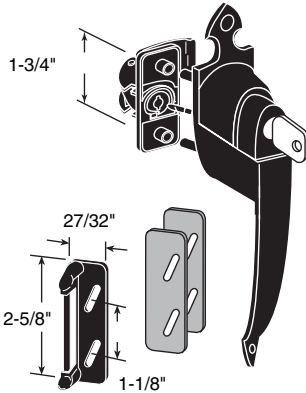
K-5079 (Black)

Colonial Push Button Latch

Contents: 1 outside handle; 1 inside latch; 1 strike; 1 set of installation screws.

Description: For outswinging screen and storm doors **1" to 1-1/4" thick; black hammered finish;** interior locking and no-lockout feature; **(1-3/4" hole spacing).**

You may wish to stock these related parts: **K-5026, K-5028, K-5073, K-5076, K-5099.**



K-5080

K-5080 (Black)

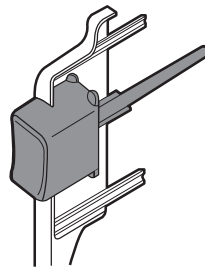
Colonial Push Button Lock

Contents: 1 outside handle; 1 inside latch; 1 keyed locking unit; 1 strike; 1 set of installation screws.

Description: For outswinging screen and storm doors **1" to 1-1/4" thick; black hammered finish;** interior locking and no-lockout feature; keyed locking push button for outside key control; **(1-3/4" hole spacing).**

You may wish to stock these related parts: **K-5026, K-5028.**

K-5012



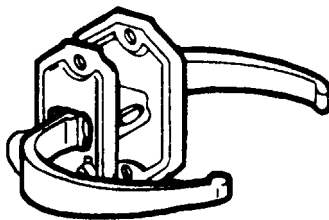
K-5012

Replacement Push Button

Contents: 1 push button spindle.

Description: **Black plastic** push button; replacement for most *Ideal Security* pushbutton type latches.

You may wish to stock these related parts: **K-5006, K-5007, K-5070, K-5071.**



K-5125

K-5125 (Aluminum)

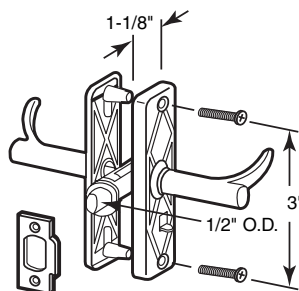
Push/Pull Latch

Contents: 1 inside/outside pull handle; 2 cover plates; 1 set of installation screws.

Description: Popular for wood or metal doors; **installs in 1" dia. single hole;** no mortising; for outswinging doors **1" to 1-3/8" thick;** pull to open from outside, push to open from inside; **backset 11/16" from surface of stop on jamb.**

You may also wish to stock these related parts: **K-5009, K-5010, K-5011, K-5074, K-5076.**

K-5052
K-5101



K-5052 (Aluminum)

K-5101 (Black)

Door Latch

Contents: 1 outside handle; 1 inside handle; 1 mortise bolt; 1 strikeplate; 1 set of installation screws.

Description: Designed to fit most combination screen and storm doors; **reversible;** internal lock for extra security; accepts **7/8" to 1-1/4" door thickness; 3/4" backset; uses 3" hole spacing.**

You may also wish to stock these related parts: **K-5053, E-2151**(keyed locking cylinder).

Storm and Screen Door

K-5053 (Aluminum)

K-5102 (Black)

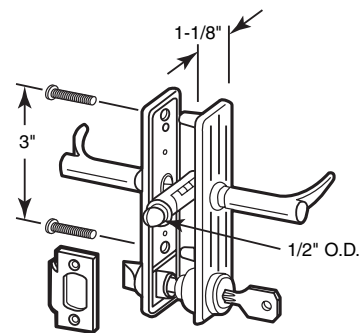
Door Lock

Contents: 1 outside handle; 1 inside handle; 1 mortise bolt; 1 strikeplate; 1 locking cylinder; 1 set of installation screws.

Description: Designed to fit most combination screen and storm doors; exterior key cylinder (**E-2151**); **reversible**; accepts **7/8"** to **1-1/4"** door thickness; **3/4"** backset; uses **3"** hole spacing.

You may also wish to stock these related parts: **K-5052**, **E-2151**.

K-5053
K-5102



K-5057 (Black)

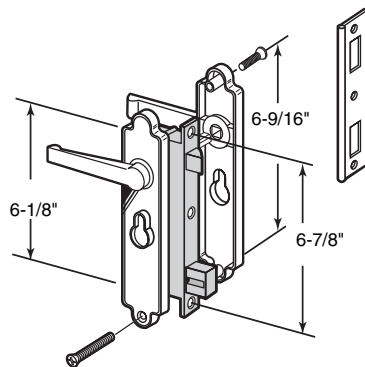
K-5092 (Black with locking cylinder)

Security Door Mortise Lock

Contents: 1 inside handle; 1 outside handle; 1 spindle; 1 mortise lock assembly; 1 strikeplate; (1 locking cylinder); 1 set of installation screws.

Description: Heavy duty **diecast**, **low profile**, lever handled mortise lock; **brass plated steel** strike; as supplied on wire mesh type security doors; uses **K-5061** double key cylinder; used on **Academy** doors.

You may also wish to stock related parts: **K-5062**, **K-5073**.



K-5057
K-5092

K-5063 (Black)

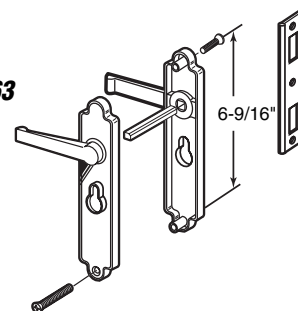
Mortise Lock Levers Only

Contents: 1 inside handle; 1 outside handle; 1 spindle; assembly screws.

Description: **Diecast** inside and outside handle assemblies for use on **K-5057** & **K-5092**.

You may also wish to stock these related parts: **K-5057**, **K-5061**, **K-5062**, **K-5064**.

K-5063



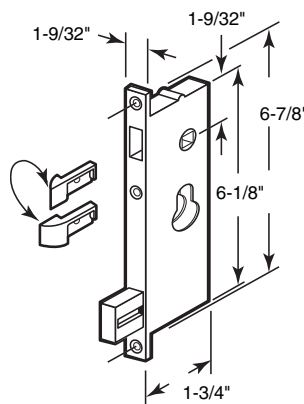
K-5064

Mortise Lock Insert

Contents: 1 mortise lock insert.

Description: Heavy duty **diecast** mortise lock insert; non-handed; **reverse latchbolt** for left or right-hand application; used with **K-5057** & **K-5092**.

You may also wish to stock these related parts: **K-5057**, **K-5061**, **K-5062**, **K-5063**.



K-5064

K-5056 (Black)

K-5091 (Black with locking cylinder)

Security Door Mortise Lock

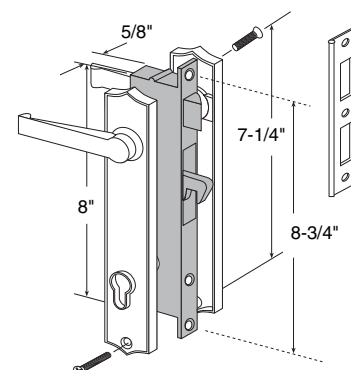
Contents: 1 inside handle; 1 outside handle; 1 spindle; 1 mortise lock assembly; 1 strikeplate; (1 locking cylinder); 1 set of installation screws.

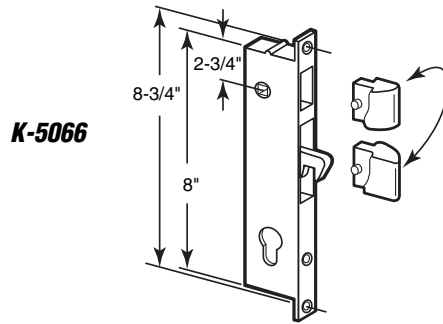
Description: Heavy duty **diecast**, **low profile**, lever handled mortise lock; **brass plated steel** strike; as supplied on wire mesh type security doors; uses **K-5061** double key cylinder; used on **Columbia** doors.

You may wish to stock these related parts: **K-5059**, **K-5061**, **K-5073**.

Call for
Availability

K-5056
K-5091





K-5066

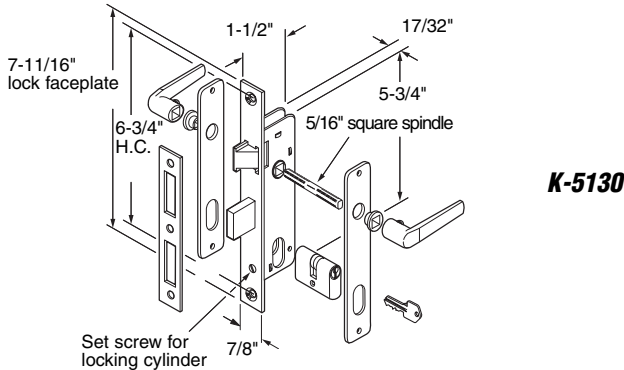
K-5066

Mortise Lock Insert

Contents: 1 mortise lock insert.

Description: Heavy duty **diecast** mortise lock insert; non-handed; **reverse latchbolt** for left or right hand application; used with **K-5056 & K-5091**.

You may wish to stock these related parts: **K-5059, K-5061, K-5062, K-5065**.



K-5130

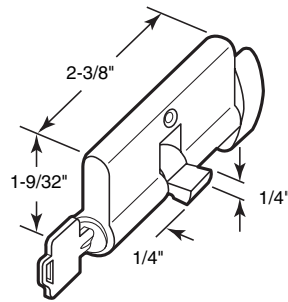
K-5130 (Brass finish)

Storm Door Mortise Lock

Contents: 1 mortise lock; 1 strike; 2 trim plates; 2 lever handles; 1 locking cylinder with 2 keys; 1 set of installation fasteners.

Description: Stamped **steel** mortise case; **solid brass** trim plates; **brass plated, diecast**, low profile handles; **solid brass** double keyed, 5 pin tumbler cylinder lock; for **1" to 1-1/2"** thick storm doors; used by several manufacturers.

**K-5105
K-5062**



K-5105 (*Schlage* keyway)

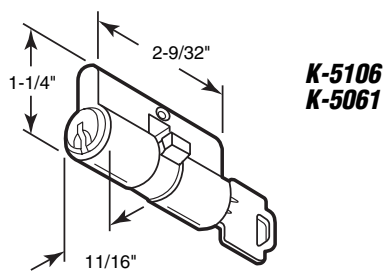
K-5062 (*Kwikset* keyway)

Locking Cylinder With Thumbturn

Contents: 1 cylinder with key.

Description: **Solid brass 5 pin tumbler**; used with security screen door mortise locking devices; adjusts to most door thicknesses.

You may also wish to stock these related parts: **K-5056, K-5057, K-5061, K-5062, K-5063, K-5064, K-5065**.



**K-5106
K-5061**

K-5106 (*Schlage* keyway)

K-5061 (*Kwikset-Weiser* keyway)

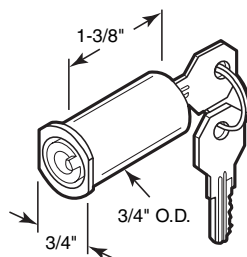
Locking Cylinder (Double keyed)

Contents: 1 cylinder; 2 keys

Description: **Double keyed, solid brass, 5 pin tumbler**; used with security screen door mortise locking devices; adjusts to most door thicknesses; for interior and exterior key locking.

You may also wish to stock these related parts: **K-5056, K-5057, K-5061, K-5062, K-5063, K-5064, K-5065**.

K-5021



K-5021

Locking Unit

Contents: 1 locking cylinder with 2 keys.

Description: Key cylinder unit converts most **1-3/4"** hole spacing knob latches to key operating units; one size fits doors **5/8"** to **1-1/4"** thick.

You may also wish to stock these related parts: **K-5000, K-5001, K-5022, K-5152**.

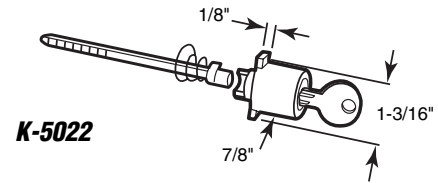
K-5022

Locking Unit

Contents: 1 push button locking cylinder; 1 latch activator shaft.

Description: Push button locking cylinder is used to convert *Ideal Security* SK-980 (12-80) push button latches to key operating units.

You may also wish to stock these related parts: **K-5021**.



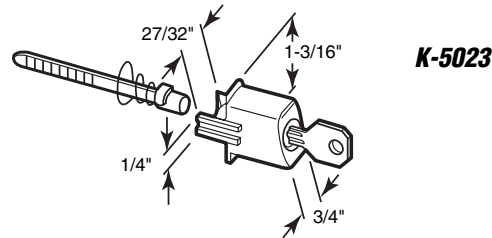
K-5023

Locking Unit

Contents: 1 push button locking cylinder; 1 latch activator.

Description: Push button locking unit replaces regular push button and converts latch to key lock; used on *Ideal "Old Style"* latches.

You may wish to stock these related parts: **K-5020, K-5024**.



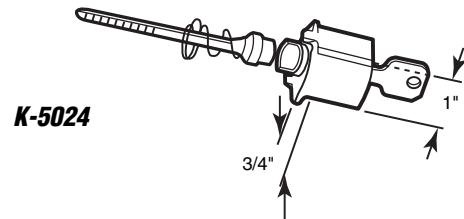
K-5024

Locking Unit

Contents: 1 push button locking cylinder; 1 latch activator shaft.

Description: Push button locking unit replaces regular push button and converts latch to key lock; fits **K-5070, K-5071, K-5116 & K-5171** handles; also used on *Ideal "New Style" & Wright Products* latches.

You may also wish to stock these related parts: **K-5006, K-5007, K-5008, K-5020**.



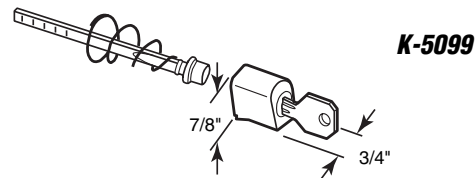
K-5099 (Black)

Locking Unit

Contents: 1 push button locking cylinder; 1 latch activator shaft.

Description: Push button locking unit replaces regular push button and converts latch to key lock; use on *"Colonial"* handle sets **K-5079 & K-5080**.

You may also wish to stock these related parts: **K-5003, K-5004, K-5079**.

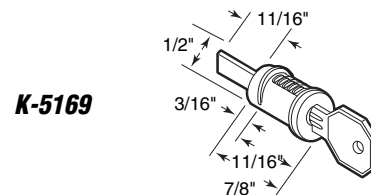


K-5169 (1-1/8" thick door)

Locking Unit

Contents: 1 lock with 2 keys.

Description: Wafer type; diecast housing; used to keylock handle sets **K-5052, K-5053, K-5101 and K-5102**.

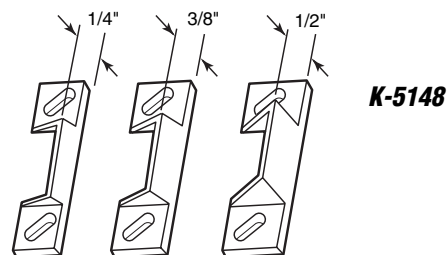


K-5148

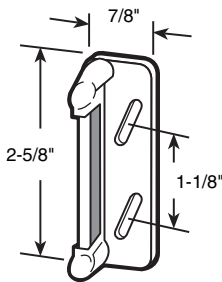
Strike Plates

Contents: 3 strike assortment; installation screws.

Description: Zinc diecast strike plates with slotted holes for universal use with a variety of retractable inside latches



K-5003
K-5004
K-5005
K-5117



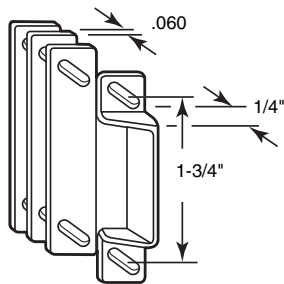
K-5003 (Aluminum)
K-5004 (Black)
K-5005 (Gold)
K-5117 (White)

Strike Plate

Contents: 1 strike; 2 shim plates; 1 set of installation screws.

Description: Resilient strike is used on latches with a **rigid interior latch**; adjustable to fit most installations.

You may wish to stock these related parts: **K-5003, K-5004.**



K-5009
K-5010
K-5011

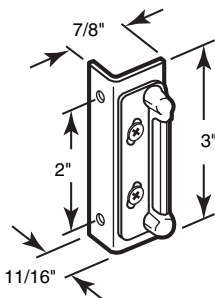
K-5009 (Aluminum)
K-5010 (Black)
K-5011 (Gold)

Strike Plate

Contents: 1 strike; 2 shim plates; 1 set of installation screws.

Description: **Diecast strikeplate** is used on latches with a **spring loaded retractable inside latch**; adjustable to fit most installations.

K-5013
K-5014
K-5015



K-5013 (Aluminum)
K-5014 (Black)
K-5015 (Gold)

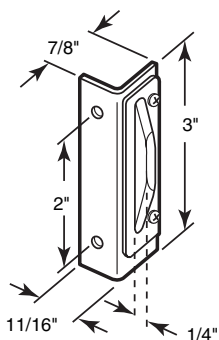
Strike Plate (Double door)

Contents: 1 strikeplate; 1 set of installation screws.

Description: For **double screen door** installations when used with a rigid interior latch; mounts onto fixed panel.

You may also wish to stock these related parts: **K-5000, K-5006, K-5019.**

Call for Availability



K-5016

K-5016 (Aluminum)

Strike Plate (Double door)

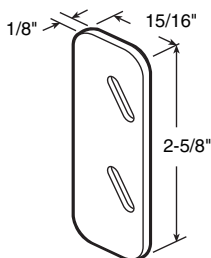
Contents: 1 strikeplate; 1 set of installation screws.

Description: For **double screen door** installations when used with a retractable inside latch; mounts onto fixed panel.

You may wish to stock these related parts: **K-5000, K-5006, K-5019.**

Call for Availability

K-5100



K-5100

Shim Plates (Plastic)

Contents: 4-1/8" thick shims.

Description: **Plastic shim** for use with spring loaded strike plate, allows strike to be raised from door stop to make firm contact with latch.

You may wish to stock these related parts: **K-5000, K-5001, K-5003 thru K-5006, K-5007, K-5112, K-5070, K-5071.**

Storm and Screen Door

K-5025 (Aluminum)

K-5098 (Black)

Inside Latching Handle

Contents: 1 inside latch assembly.

Description: Inside latching unit has rigid latch face; used to replace many (knob latch) interior latches, with **1-3/4" hole centers**.

You may also wish to stock these related parts: **K-5003, K-5004, K-5005.**

K-5096 (Aluminum)

K-5097 (Black)

Outside Handle

Contents: 1 outside latch assembly.

Description: Spring loaded outside knob latch used to repair most knob-type latches; **1-3/4" hole spacing**.

You may also wish to stock these related parts: **K-5025, K-5027, K-5098.**

K-5133 (Black - 1-1/2" hole centers)

K-5134 (Aluminum - 1-1/2" hole centers)

K-5135 (Aluminum - 1-3/4" hole centers)

K-5136 (Black - 1-3/4" hole centers)

Inside Latching Handle

Contents: 1 inside latch assembly.

Description: Inside latch; used to repair most push button type latches using resilient strikes.

You may also wish to stock these related parts: **K-5006, K-5007, K-5082, K-5107.**

K-5050 (Brass plated)

Pull Handle

Contents: 1 handle; 1 set of installation screws.

Description: **Wrought steel construction**; a traditional pull handle used on most wood screen doors.

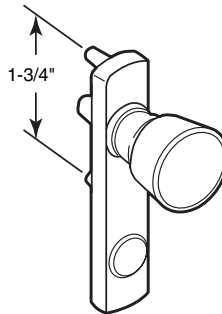
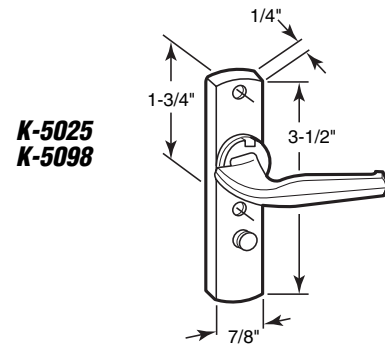
You may also wish to stock these related parts: **K-5043, K-5044.**

K-5037

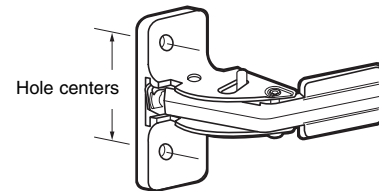
Brace with Turn Buckle

Contents: 1 turn buckle; 2 rods; 1 set of installation screws.

Description: Brace system used on wood screen and storm doors to protect against warping; **1/4" diameter steel rods**; diecast turn buckle; **42" total length**.



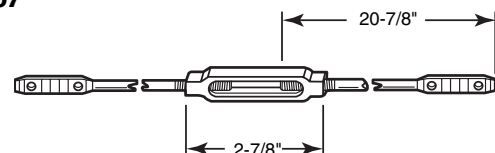
K-5133
K-5134
K-5135
K-5136

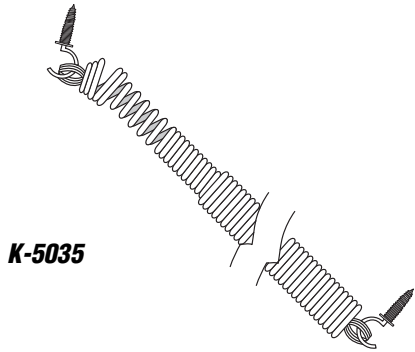


K-5050



K-5037





K-5035

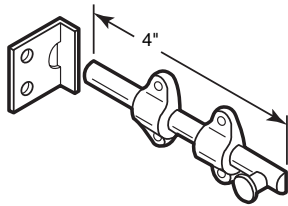
K-5035

Adjustable Door Spring

Contents: 1 spring assembly; 2 hooks.

Description: Zinc plated steel spring offers, **positive tension adjustment** for most storm and screen doors; turn adjusting spring in or out of main spring to change tension for light or heavy doors.

Note: For bulk, non-adjustable, springs see page K-15.



K-5019

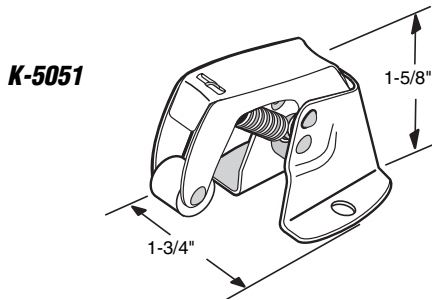
K-5019 (Chrome)

Slide Bolt

Contents: 1 bolt with strikeplate; 1 set of installation screws.

Description: Slide bolt used on double screen door installations; locks the fixed panel into place.

You may also wish to stock these related parts: **K-5013, K-5014, K-5015, K-5016.**



K-5051

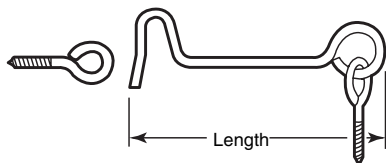
K-5051

Door Catch

Contents: 1 catch; 1 set of installation screws.

Description: Zinc plated steel; designed to fit all types of doors; **no-mar roller**; will work on most door and casing thicknesses; holds door in closed position.

You may also wish to stock these related parts: **K-5043, K-5044.**



**K-5036
K-5144**

K-5036 (2-1/2")

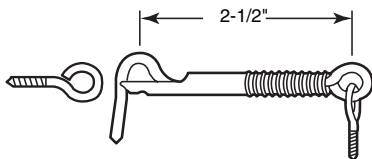
K-5144 (2")

Hook and Eye

Contents: 2 hooks; 2 eyes.

Description: Zinc plated steel hook used to secure wood screen door to jamb.

K-5054



K-5054

Hook and Eye

Contents: 2 hooks; 2 eyes.

Description: Zinc plated steel hook with **safety catch**; for wood screen doors; reduces chance of inadvertent hook removal.

K-5045

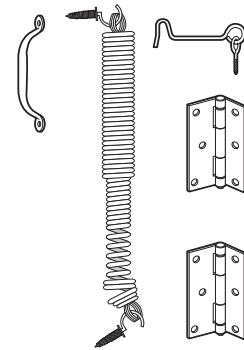
Wood Screen Door Kit

Contents: 1 handle; 1 hook; 2 butt hinges; 1 adjustable spring; 2 shims and the installation fasteners.

Description: The handle, hook and hinges are **brass plated steel**; the spring is **gold iridite spring steel**; use for left or right hand installations; hinges are reversible for surface or edge mounting and the adjustable spring allows for tension adjustment for light or heavy doors.

You may wish to stock these related parts: **K-5026, K-5035, K-5038, K-5039.**

K-5045



K-5159

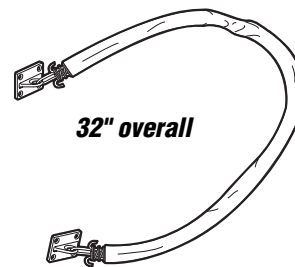
Protector Chain (Commercial)

Contents: 1 chain assembly; 1 vinyl cover; 1 adjustment link; 1 set of installation screws.

Description: **Satin chrome** chain with heavy duty **diecast zinc** mounting plates; has 2 compression springs and vinyl protective cover; designed for heavy doors; **adjustable from 20" to 30-1/2"**.

32" overall

K-5159



K-5026 (Aluminum)

K-5141 (Black)

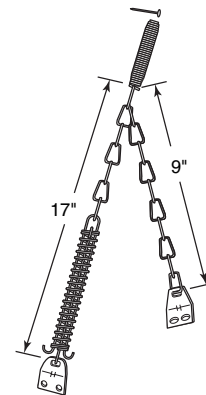
Protector Chain

Contents: 1 chain assembly with attaching hardware.

Description: Protects wood or metal outswinging doors from wind damage; heavy gauge **spring wire** and **steel chain** installs to door and jamb.

You may wish to stock these related parts: **K-5038, K-5039.**

**K-5026
K-5141**



K-5137

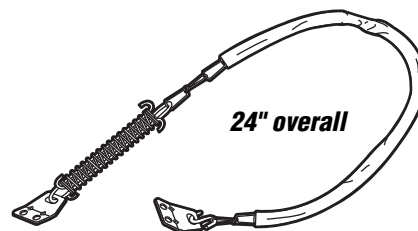
Deluxe Protector Chain

Contents: 1 chain assembly with vinyl cover; attaching hardware.

Description: Protects wood or metal outswinging doors from wind damage; vinyl cover protects doors against scratching; heavy gauge **wire spring** and **steel chain**; installs to door and jamb.

24" overall

K-5137



K-5038 (Aluminum)

K-5039 (Black)

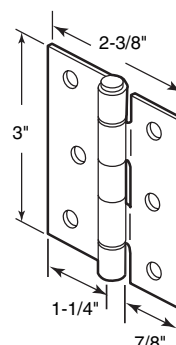
Replacement Hinge (Steel)

Contents: 2 hinges; 1 set of installation screws.

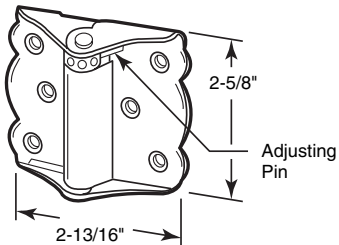
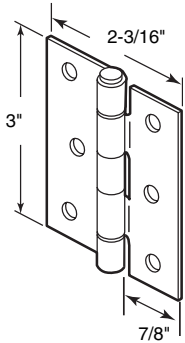
Description: **Painted steel hinge**; use for full or half mortise installations.

You may wish to stock these related parts: **K-5000, K-5006.**

**K-5038
K-5039**

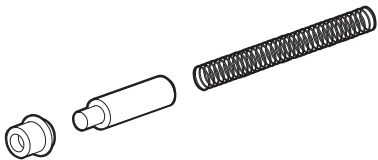
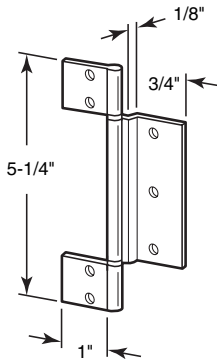


K-5142



**K-5043
K-5044**

K-5093

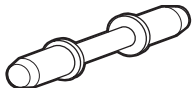


K-5131

K-5132



Assembled



Un-assembled

K-5142

Replacement Hinge (Aluminum)

Contents: 2 hinges; 1 set of installation screws.

Description: Aluminum hinges with brass oilite bearings; for wood or metal screen or storm doors.

K-5043 (Black)

K-5044 (Brass)

*Call for
Availability*

Self-Closing Hinge

Contents: 2 hinges; 1 set of installation screws.

Description: Painted or plated stamped steel hinge is spring loaded for automatic closing; adjustable spring tension; for most wood screen doors.

You may wish to stock these related parts: **K-5049, K-5050.**

K-5093

Replacement Hinge

Contents: 1 hinge; 1 set of #8 x 1/2" pan head installation screws.

Description: Extruded aluminum; 3-piece assembly; 1/8" offset center leaf; used by many screen door manufacturers.

You may wish to stock these related parts: **K-5000, K-5067.**

K-5131 (White)

Hinge Pins and Bushings

Contents: 6 pins; 6 bushings; 3 springs.

Description: Nylon pins and bushings; used in storm door hinges by several manufacturers.

You may wish to stock these related parts: **K-5000, K-5067.**

K-5132 (Black)

Hinge Pins

Contents: 6 pins.

Description: Nylon hinge pins and bushings; used in hinges on *Croft* storm doors.

You may wish to stock these related parts: **K-5000, K-5067.**

- K-5027** (Aluminum)
- K-5028** (Black)
- K-5029** (Gold)
- K-5118** (White)
- K-5172** (Chocolate brown)

Pneumatic Closer

Contents: 1 closer with mounting brackets and attaching hardware.

Description: Specifically designed for **medium weight doors**; **internally lubricated**, **adjustable** closing power and **"fast latch"** feature insures door is latched securely.

You may wish to stock these related parts: **K-5000, K-5006.**

- K-5103** (Aluminum)
- K-5104** (Black)
- K-5158** (White)

Pneumatic Closer

Contents: 1 closer with mounting brackets and attaching hardware.

Description: Specifically designed for **light weight West Coast** screen doors; **internally lubricated**, **adjustable** closing power insures door is latched securely.

You may wish to stock these related parts: **K-5000, K-5006, K-5027.**

- K-5067** (Aluminum)
- K-5073** (Black)
- K-5119** (White)
- K-5173** (Chocolate brown)

Pneumatic Closer

Contents: 1 closer with mounting brackets and attaching hardware.

Description: **Standard duty** screen or storm door closer; **adjustable** closing speed; used on **medium weight** doors.

You may wish to stock these related parts: **K-5000 thru K-5008, K-5031, K-5033, K-5034.**

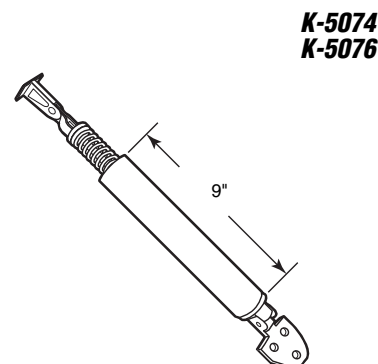
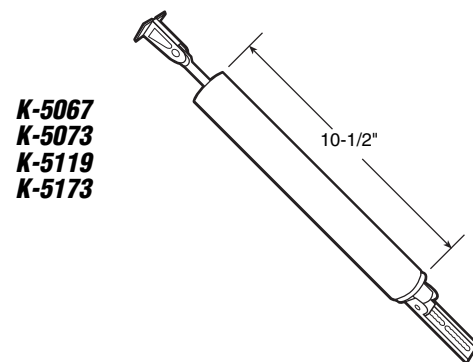
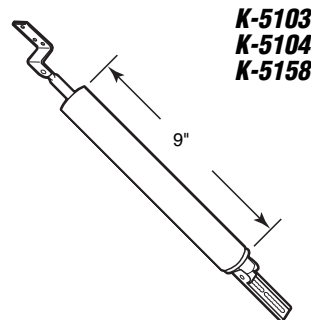
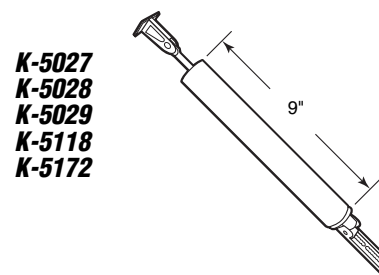
- K-5074** (Aluminum)
- K-5076** (Black)

Pneumatic Closer (With shock-spring)

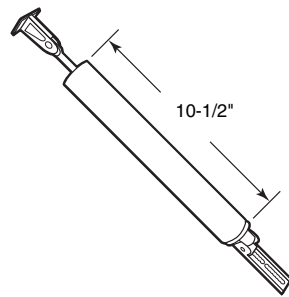
Contents: 1 closer with mounting brackets and attaching hardware.

Description: **Heavy duty** storm door closer; **adjustable** closing speed; used on **medium to heavy weight** doors.

You may wish to stock these related parts: **K-5000, K-5008, K-5026, K-5038, K-5039, K-5081.**



K-5058
K-5059



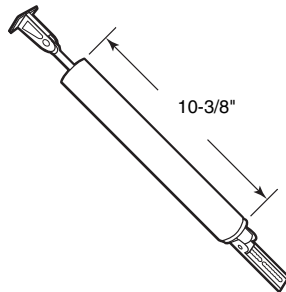
K-5058 (Aluminum)
K-5059 (Black)

Hydraulic Closer

Contents: 1 closer with mounting brackets and attaching hardware.

Description: Hydraulic door closer for medium to heavy weight doors; fully adjustable by twisting barrel; hold open in any position.

You may wish to stock these related parts: **K-5000** thru **K-5011**, **K-5027**, **K-5028**, **K-5038**, **K-5039**, **K-5074**, **K-5076**.



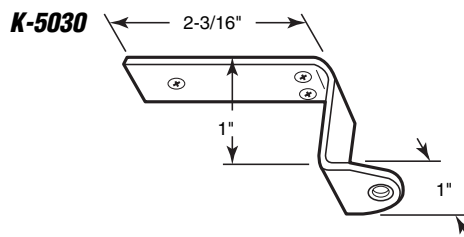
K-5108
K-5109
K-5120
K-5174

K-5108 (Aluminum)
K-5109 (Black)
K-5120 (White)
K-5174 (Chocolate brown)

Pneumatic Closer (1-1/2" Barrel)

Contents: 1 closer with mounting brackets and attaching hardware.

Description: Heavy duty closer as used on heavy storm doors; adjustable closing speed; some doors require two closers.



K-5030

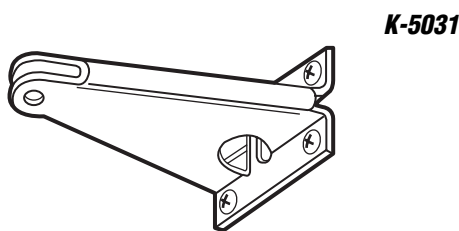
K-5030

Jamb Bracket (Top mount)

Contents: 1 bracket; 3 installation screws.

Description: Top mounting jamb bracket used with pneumatic door closers; stamped steel; ideal for narrow stop installations.

You may also wish to stock these related parts: **K-5031**, **K-5032**, **K-5033**, **K-5103**, **K-5104**, **K-5158**.



K-5031

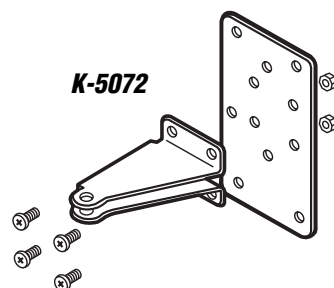
K-5031

Jamb Bracket (Side mount)

Contents: 1 bracket; 1 set of installation screws.

Description: Side mounting jamb bracket used with pneumatic door closers; stamped steel.

You may also wish to stock these related parts: **K-5030**, **K-5032**, **K-5033**, **K-5067**, **K-5073**, **K-5119**.



K-5072

K-5072

Jamb Bracket with Plate

Contents: 1 jamb bracket; 1 cover plate; 1 set of installation screws.

Description: Cadmium plated steel bracket and plate; plate bolts to bracket; used when installing over damaged jamb.

You may also wish to stock these related parts: **K-5000**, **K-5008**, **K-5070**, **K-5071**, **K-5082**.

K-5032

Door Bracket

Contents: 1 bracket; 1 set of installation screws.

Description: Bracket used to mount tube type closers to door surfaces; **stamped steel**.

You may also wish to stock these related parts: **K-5030, K-5032, K-5033.**

K-5033

Door Bracket

Contents: 1 bracket; 1 set of installation screws.

Description: Bracket used to mount tube type storm door closers to door surfaces; **stamped steel**; used on *Ideal Security "17-90 and 17-91"* series closers.

You may also wish to stock these related parts: **K-5030, K-5031, K-5032.**

K-5034

Closer Repair Kit

Contents: Jamb bracket pin; hold open clip; speed adjusting spring and screw.

Description: Replaces most of the parts that break or get lost on **pneumatic** screen and storm door closers.

You may also wish to stock these related parts: **K-5027, K-5028, K-5029.**

K-5110 (Knob latch kit - Aluminum)

K-5111 (Knob latch kit - Black)

K-5112 (Push button kit - Aluminum)

K-5113 (Push button kit - Black)

Hardware Kits (Boxed)

Contents: 1 latch; 1 closer; complete with all brackets, parts and fasteners.

Description: **Knob or push button latch**, 1-3/4" hole spacing, for outswinging screen doors, 5/8" to 1-1/4" thick; closer (**K-5103**-aluminum or **K-5104**-black) for **lightweight West Coast screen doors**, is internally lubricated.

K-5094 (Aluminum)

K-5095 (Black)

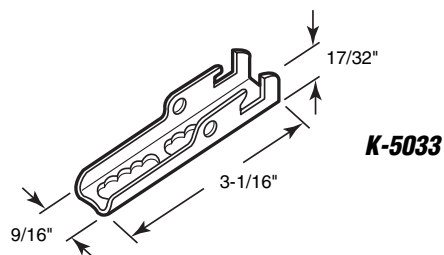
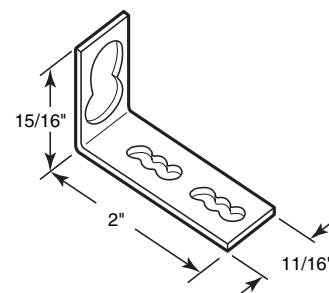
Hardware Kits (Boxed)

Contents: 1 pushbutton latch; 1 door closer; complete with all brackets, parts and fasteners.

Description: Pushbutton latch, 1-3/4" hole spacing, for outswinging screen doors, 5/8" to 1-1/4" thick; **adjustable** closer (**K-5027**-aluminum or **K-5028**-black) with **"fast latch"** feature for **medium weight doors**; internally lubricated.

You may also wish to stock these related parts: **K-5000, K-5003.**

K-5032



K-5034



1. Pin for jamb bracket



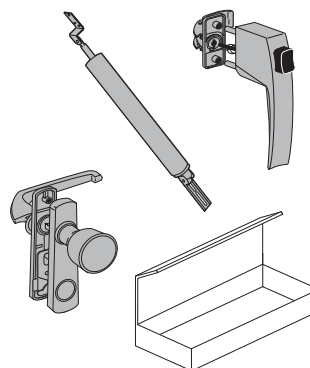
2. Hold open clip



3. Speed adjusting spring

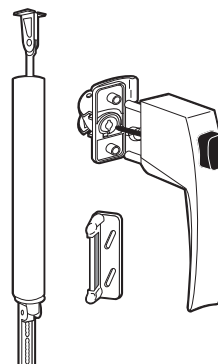


4. Speed adjusting screw

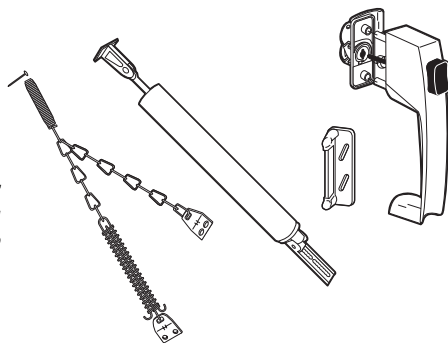


K-5110
K-5111
K-5112
K-5113

K-5094
K-5095



K-5075
K-5084
K-5143



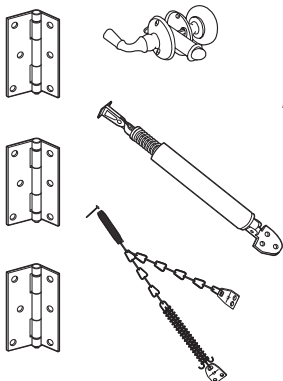
K-5075 (Black)
K-5084 (Aluminum)
K-5143 (White)

Hardware Kits (Carded)

Contents: 1 push button latch; 1 door closer; 1 chain; complete with all brackets, parts and fasteners.

Description: Push button latch, 1-3/4" hole spacing, with tie-down outside handle; door closer (**K-5073**-black or **K-5067**-aluminum) for **medium weight doors**; chain stop; for use on wood or metal doors **1" to 1-1/4" thick**.

You may also wish to stock these related parts: **K-5000, K-5008, K-5027, K-5028, K-5073, K-5074, K-5076.**



K-5083

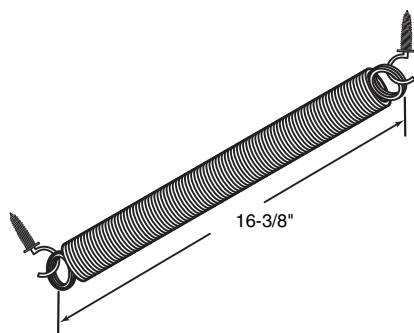
K-5083

Deluxe Wood Door Kit (Carded)

Contents: 1 mortise door lock; 3, 3-1/2" hinges; 1 door closer; 1 storm door chain; complete with all brackets, parts and fasteners.

Description: **Solid brass** door lock (**K-5081**); **brass plated steel** hinges; **aluminum finish** closer (**K-5074**); **zinc plated** storm door chain (**K-5026**); for use on wood screen and storm doors **1" to 1-1/4" thick**.

You may also wish to stock these related parts: **K-5000, K-5008, K-5027, K-5028, K-5067, K-5073.**



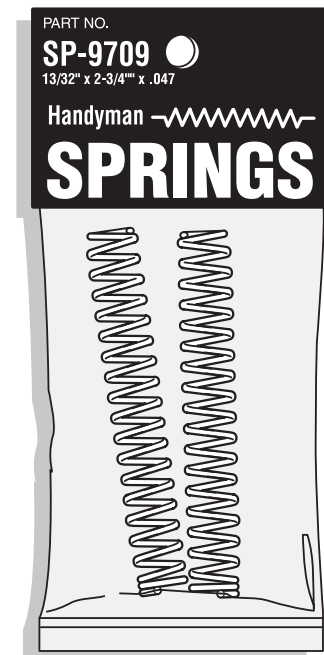
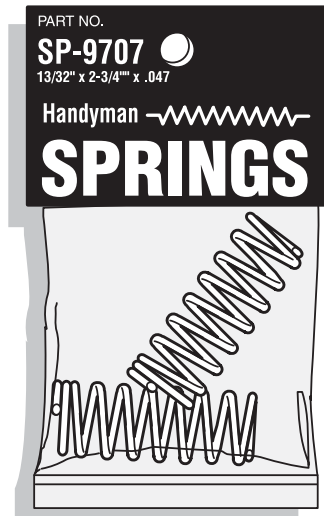
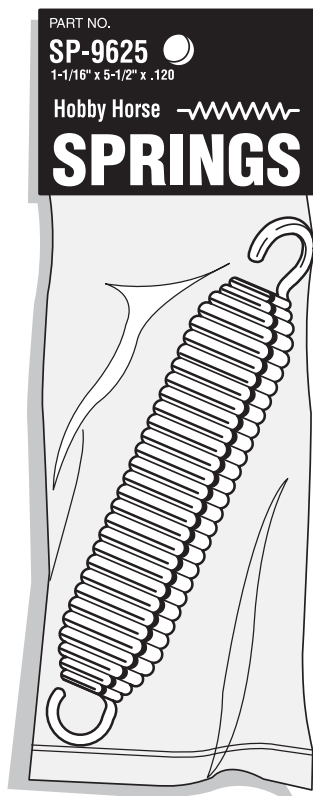
Wood Screen Door Springs (Bulk)

Part No.	Outside Diameter	Wire	Finish	Qty. Per Box
K-5129	23/64"	.059	Black	10
SP-9640	5/16"	.050	Nickel	10
SP-9641	23/64"	.059	Nickel	10
SP-9642	13/32"	.060	Nickel	10
SP-9643	15/32"	.065	Nickel	10
SP-9644	1/2"	.075	Nickel	10

Contents: 10 springs with 20 hooks.

Description: **Painted and plated steel** springs; traditionally used on wood screen doors or gates.

Handyman SPRINGS

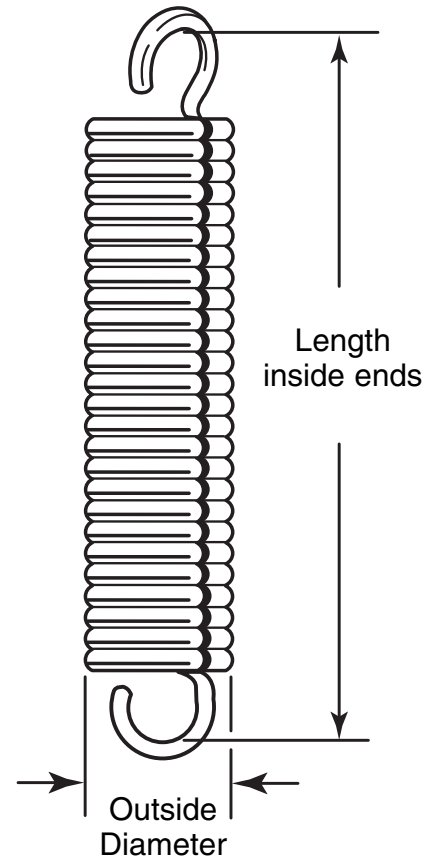


- **All springs are bagged and headered.**
- The header was specially designed for durability and distinctive presentation.
- **The bag is 4 mil and protects springs from dust and dirt.**

Handyman Springs

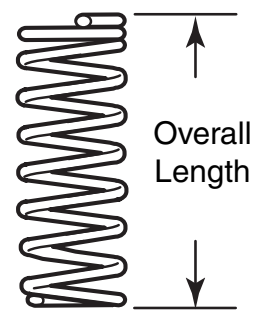
Extension Springs

Part No.	Outside Diameter	Length	Wire	Qty. Per Bag	Max. Safe Load (lbs.)	Max. Deflection (in.)
SP 9600	1/4"	1-1/2"	.035	2	8.46	1.11
SP 9601	5/16"	1-1/2"	.020	2	1.39	7.62
SP 9602	7/16"	1-1/2"	.047	2	11.50	1.71
SP 9603	1/4"	1-7/8"	.035	2	8.46	1.47
SP 9604	11/32"	1-7/8"	.025	2	2.40	7.26
SP 9605	7/16"	1-7/8"	.047	2	11.50	2.40
SP 9606	5/32"	2-1/2"	.020	2	2.69	2.92
SP 9607	1/4"	2-1/2"	.016	2	.90	15.50
SP 9608	7/16"	2-1/2"	.047	2	11.50	3.51
SP 9609	7/16"	2"	.062	2	18.00	.76
SP 9610	5/8"	2-1/2"	.072	2	19.10	.92
SP 9611	9/16"	3"	.054	2	9.55	3.64
SP 9612	7/16"	2-3/4"	.034	2	3.57	6.08
SP 9613	1/2"	1-5/8"	.080	2	31.30	.36
SP 9614	3/4"	2"	.105	2	46.20	.51
SP 9615	3/4"	2-1/4"	.105	2	46.20	.64
SP 9616	3/4"	2-7/16"	.105	2	46.20	.74
SP 9617	3/4"	2-5/8"	.105	2	46.20	.82
SP 9618	5/8"	3-1/4"	.072	2	19.10	2.01
SP 9619	3/4"	2-7/8"	.105	2	46.20	.95
SP 9620	3/4"	3-1/8"	.105	2	46.20	1.08
SP 9621	15/32"	4-1/2"	.041	2	5.28	8.33
SP 9622	5/8"	6-1/2"	.054	2	8.64	11.90
SP 9623	13/16"	3-1/8"	Trampoline	2	61.70	.77
SP 9624	13/16"	4"	.120	2	61.70	.73
SP 9625	1-1/16"	5-1/2"	Hobby Horse	1	48.20	3.62
SP 9626	15/16"	8"	Gate Spring	1	—	—
SP 9627	7/8"	6"	.091	1	32.50	5.60
SP 9628	1-1/16"	7"	.105	1	33.40	7.19
SP 9629	1-1/4"	6-1/2"	.162	1	93.70	3.00
SP 9630	1"	7"	.135	1	69.90	2.93
SP 9631	3/4"	6-1/2"	.091	1	31.30	4.20
SP 9632	1/2"	8-1/2"	.047	1	7.47	13.30
SP 9633	7/16"	8-1/2"	.047	1	8.47	9.30
SP 9634	9/16"	8-1/2"	.054	1	9.55	12.40
SP 9635	5/8"	8-1/2"	.080	1	25.60	5.20
SP 9636	1"	8-1/2"	.120	1	51.00	5.38
SP 9637	1"	12"	.105	1	35.40	11.70
SP 9638	7/16"	10-1/4"	.041	1	5.60	17.50
SP 9639	9/16"	16-1/2"	.054	1	9.50	25.20
SP 9645	1-1/8"	16"	.105	1	31.20	22.00

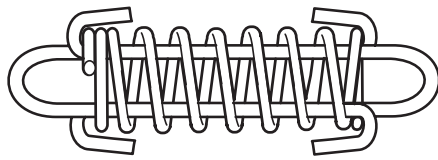
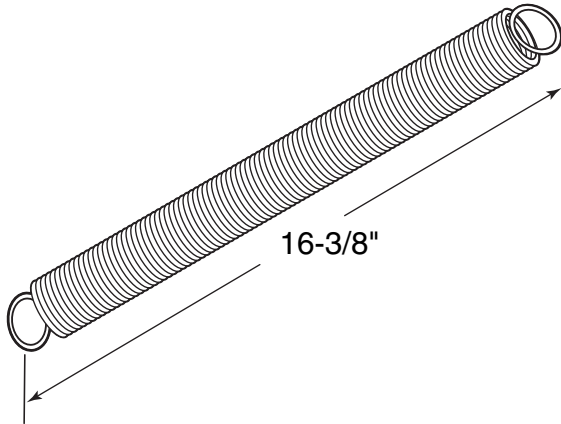


Compression Springs

Part No.	Outside Diameter	Length	Wire	Qty. Per Bag	Max. Safe Load (lbs.)	Solid Height
SP 9700	1/4"	1/2"	.035	6	11.40	.262
SP 9701	1/4"	1"	.035	6	11.40	.524
SP 9702	3/8"	3/4"	.032	6	4.47	.230
SP 9703	3/8"	1-1/8"	.041	4	9.00	.461
SP 9704	7/32"	1-3/4"	.020	4	2.60	.375
SP 9705	7/16"	2-1/8"	.031	4	3.85	.402
SP 9706	1/2"	1-1/2"	.041	2	6.84	.400
SP 9707	9/16"	1-3/8"	.072	2	28.20	.738
SP 9708	11/16"	1-1/4"	.091	2	44.70	.755
SP 9709	13/32"	2-3/4"	.047	2	12.40	1.128
SP 9710	1/2"	2-3/4"	.072	2	31.30	1.560
SP 9711	23/32"	3-1/2"	.041	2	4.82	.461
SP 9712	9/16"	3"	.054	2	12.90	.954
SP 9713	7/8"	4"	.080	2	24.80	1.280



Description: Nickel plated spring steel; used for a variety of household applications.



Wood Screen Door Springs (Bulk)

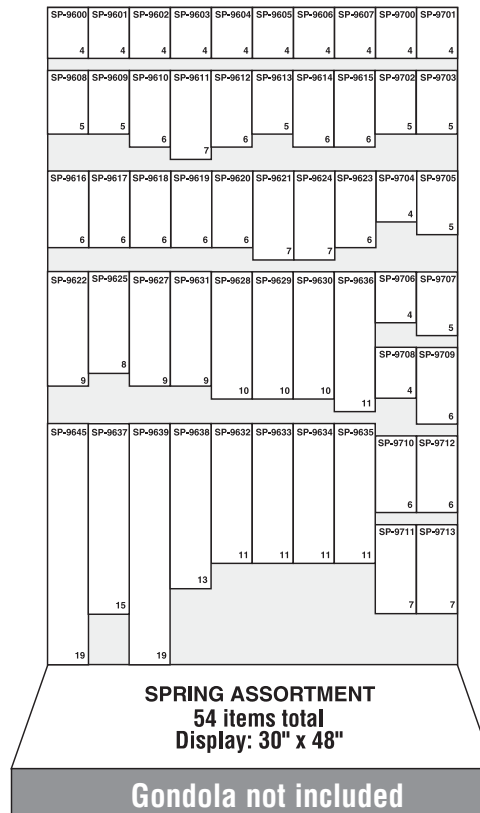
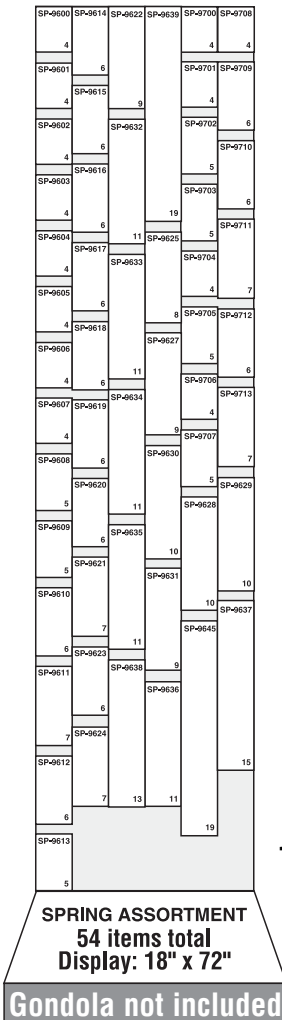
Part No.	Finish	Outside Diameter	Wire	Qty. Per Box	Max. Safe Load (lbs.)
SP 9640	Zinc	5/16"	.050	10	13.80
SP 9641	Zinc	23/64"	.059	10	15.70
SP 9642	Zinc	13/32"	.060	10	19.60
SP 9643	Zinc	15/32"	.065	10	23.10
SP 9644	Zinc	1/2"	.075	10	26.40
SP 9650	Black	5/16"	.050	10	13.80
SP 9651	Black	23/64"	.059	10	15.70
SP 9652	Black	13/32"	.060	10	19.60
SP 9653	Black	15/32"	.065	10	23.10

Porch Spring

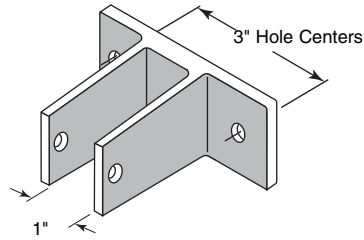
Part No.	Outside Diameter	Wire	Qty. Per Bag	Max. Safe Load (lbs.)
SP 9649	1-9/16"	.227	1	352

Planogramming Suggestions

- Both planograms depict the best 54 sku assortment
- Part no. and overall length of bag is noted for each item



PH-17015
PH-17016



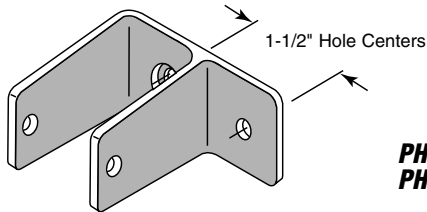
PH-17015 (For 1" panels)
PH-17016 (For 1-1/4" panels)

Two-Ear Wall Bracket

Contents: 1 bracket.

Description: Chrome plated, diecast bracket for attaching partition panel to wall.

You may wish to stock these related parts: **PH-17009, PH-17039, PH-17061, PH-17064.**



PH-17017
PH-17018

PH-17017 (For 1" panels)
PH-17018 (For 1-1/4" panels)

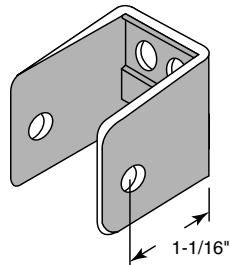
One-Ear Wall Bracket

Contents: 1 bracket.

Description: Chrome plated, diecast bracket for attaching partition panel to wall.

You may wish to stock these related parts: **PH-17008, PH-17038, PH-17061, PH-17063.**

PH-17019
PH-17020



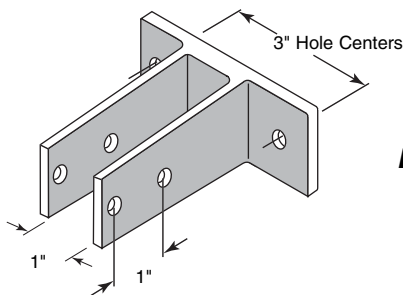
PH-17019 (For 1" panels)
PH-17020 (For 1-1/4" panels)

"U" Bracket

Contents: 1 bracket.

Description: Chrome plated, diecast bracket for attaching partition panel to wall.

You may wish to stock these related parts: **PH-17015, PH-17040, PH-17059, PH-17061.**



PH-17021

PH-17021 (For 1" panels)

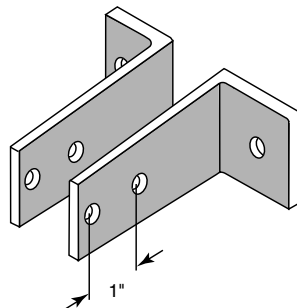
Urinal Screen Wall Bracket

Contents: 1 bracket.

Description: Chrome plated, diecast bracket for attaching urinal screen partition panels to wall.

You may wish to stock these related parts: **PH-17015, PH-17040, PH-17059, PH-17061.**

PH-17022



PH-17022 (All size panels)

Urinal Screen Wall Bracket

Contents: 1 bracket.

Description: Chrome plated, diecast bracket for attaching urinal screen partition panels to wall.

You may wish to stock these related parts: **PH-17015, PH-17040, PH-17059, PH-17061.**

Restroom Partition Hardware

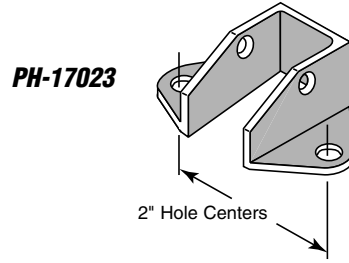
PH-17023 (For 1" panels)

Headrail Bracket

Contents: 1 headrail bracket.

Description: Chrome plated, diecast bracket for attaching headrail support to wall.

You may wish to stock these related parts: **PH-17016, PH-17029, PH-17057, PH-17061.**



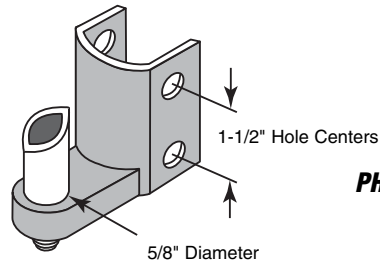
PH-17024

Bottom Hinge Bracket

Contents: 1 hinge bracket.

Description: Chrome plated, diecast bottom hinge bracket for bottom of door; use with steel panels; fits 1-1/4" pilaster.

You may wish to stock these related parts: **PH-17013, PH-17044, PH-17057, PH-17061.**



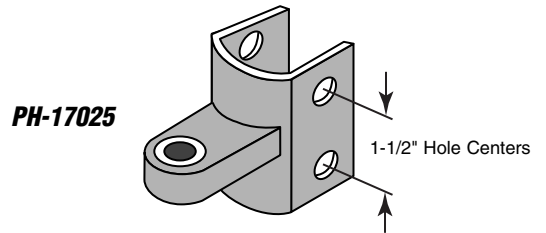
PH-17025

Top Hinge Bracket

Contents: 1 hinge bracket.

Description: Chrome plated, diecast top hinge bracket for top of door; use with steel panels; fits 1-1/4" pilaster.

You may wish to stock these related parts: **PH-17014, PH-17037, PH-17055, PH-17061.**



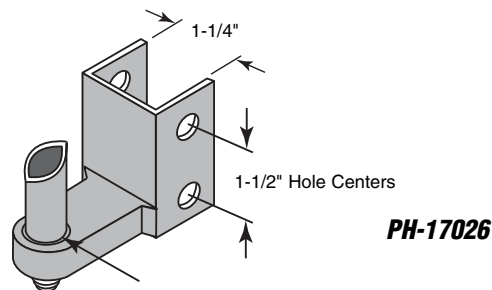
PH-17026

Bottom Hinge Bracket

Contents: 1 hinge bracket.

Description: Chrome plated, diecast bottom hinge bracket for bottom of door; use with plastic laminate or marble panels; fits 1-1/4" pilaster.

You may wish to stock these related parts: **PH-17017, PH-17031, PH-17055, PH-17061.**



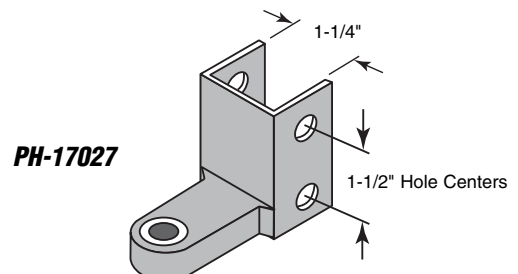
PH-17027

Top Hinge Bracket

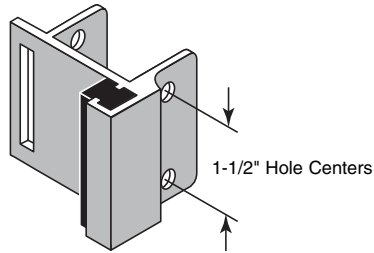
Contents: 1 hinge bracket.

Description: Chrome plated, diecast top hinge bracket for top of door; use with plastic laminate or marble panels; fits 1-1/4" pilaster.

You may wish to stock these related parts: **PH-17015, PH-17040, PH-17059, PH-17061.**



PH-17008



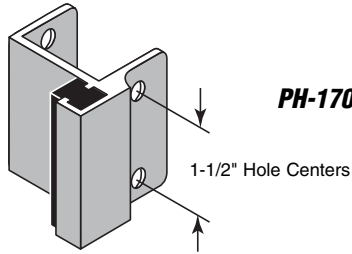
PH-17008 (For 1-1/4" pilaster)

Strike/Keeper

Contents: 1 strike/keeper.

Description: Chrome plated, diecast keeper; surface slide latch for supporting and latching of **inswing** doors; use with plastic laminate or marble panels.

You may wish to stock these related parts: **PH-17010, PH-17039, PH-17061, PH-17064.**



PH-17009

PH-17009 (For 1-1/4" pilaster)

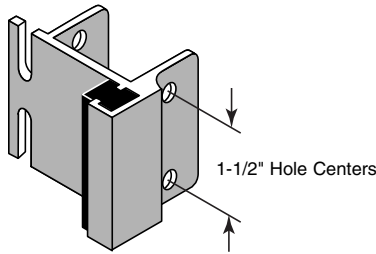
Strike/Keeper

Contents: 1 strike/keeper.

Description: Chrome plated, diecast keeper; surface slide latch for supporting and latching of **outswing** doors; use with plastic laminate or marble panels.

You may wish to stock these related parts: **PH-17016, PH-17042, PH-17057, PH-17061.**

PH-17028



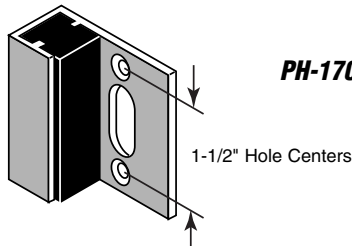
PH-17028 (For 1-1/4" pilaster)

Strike/Keeper

Contents: 1 strike/keeper.

Description: Chrome plated, diecast keeper; use with plastic laminate or marble panels; for throw latch on **outswing** door.

You may wish to stock these related parts: **PH-17016, PH-17042, PH-17057, PH-17061.**



PH-17029

PH-17029

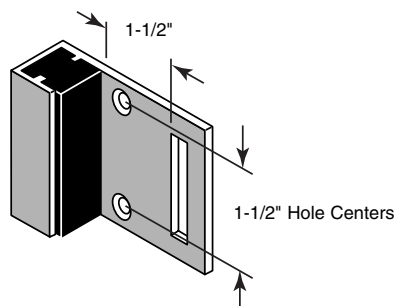
Flat Strike

Contents: 1 flat strike.

Description: Chrome plated, diecast keeper; use with plastic laminate or marble panels; fits any size pilaster; for concealed latch on **inswing** door.

You may wish to stock these related parts: **PH-17014, PH-17037, PH-17055, PH-17061.**

PH-17030



PH-17030

Flat Strike

Contents: 1 flat strike.

Description: Chrome plated, diecast keeper; use with plastic laminate or marble panels; fits any size pilaster; for slide latch on **inswing** door.

You may wish to stock these related parts: **PH-17017, PH-17031, PH-17055, PH-17061.**

Restroom Partition Hardware

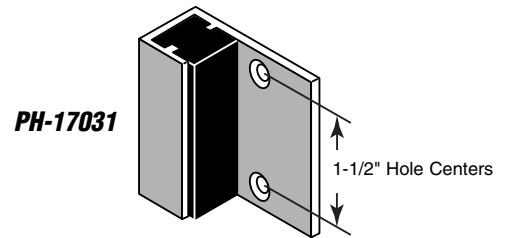
PH-17031

Flat Strike

Contents: 1 flat strike.

Description: Chrome plated, diecast strike; use with plastic laminate or marble panels; fits any size pilaster; for slide latch on outswing door.

You may wish to stock these related parts: PH-17015, PH-17040, PH-17059, PH-17061.



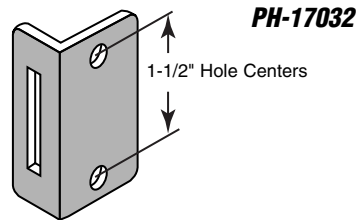
PH-17032

Keeper

Contents: 1 keeper.

Description: Chrome plated, diecast keeper for slide latch; fits any size pilaster.

You may wish to stock these related parts: PH-17014, PH-17037, PH-17055, PH-17061.



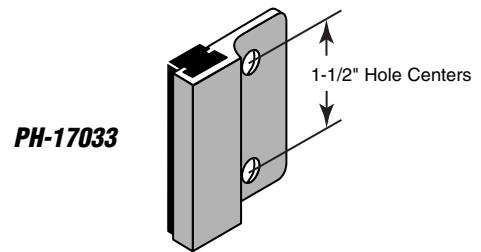
PH-17033

Strike

Contents: 1 strike.

Description: Chrome plated, diecast strike for slide latch or throw latch; fits any size pilaster.

You may wish to stock these related parts: PH-17009, PH-17036, PH-17048, PH-17061.



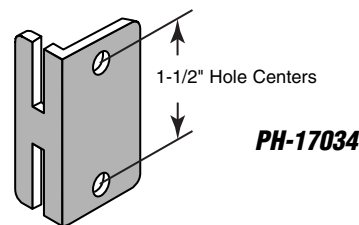
PH-17034

Keeper

Contents: 1 keeper.

Description: Chrome plated, diecast keeper for throw latch; fits any size pilaster.

You may wish to stock these related parts: PH-17044, PH-17046, PH-17061, PH-17063.



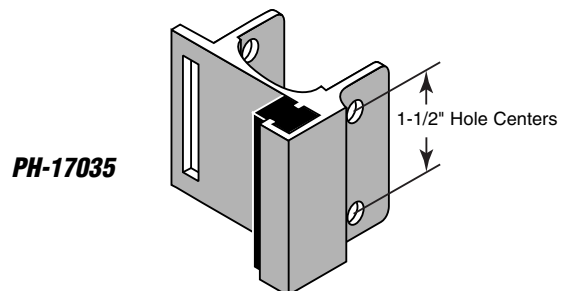
PH-17035 (For 1-1/4" pilaster)

Strike/Keeper

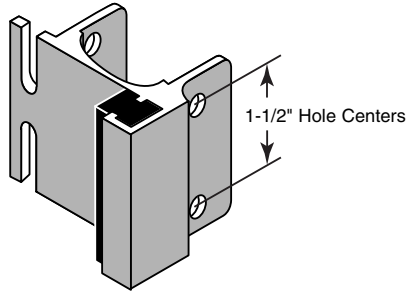
Contents: 1 strike/keeper.

Description: Chrome plated, diecast keeper; use with steel panels; for slide latch on inswing door.

You may wish to stock these related parts: PH-17039, PH-17040, PH-17048, PH-17061.



PH-17036



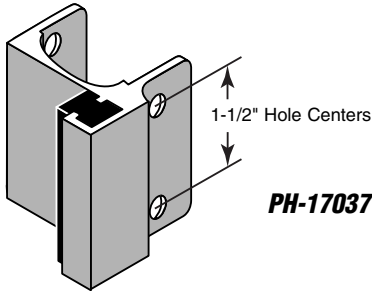
PH-17036 (For 1-1/4" pilaster)

Strike/Keeper

Contents: 1 strike/keeper.

Description: Chrome plated, diecast strike/keeper; use with steel panels; for throw latch on **inswing** door.

You may wish to stock these related parts: **PH-17044**, **PH-17048**, **PH-17061**, **PH-17064**.



PH-17037 (For 1-1/4" pilaster)

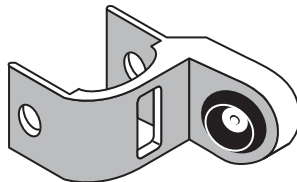
Strike/Keeper

Contents: 1 strike/keeper.

Description: Chrome plated, diecast strike/keeper; use with steel panels; for throw latch on **outswing** door.

You may wish to stock these related parts: **PH-17039**, **PH-17040**, **PH-17046**, **PH-17061**.

PH-17038



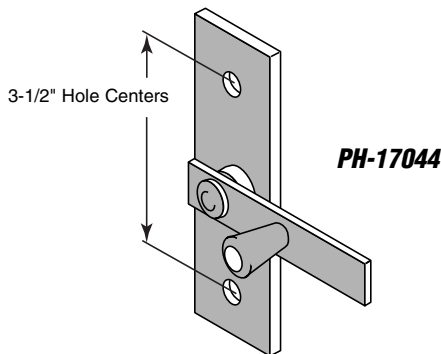
PH-17038 (For 1-1/4" pilaster)

Strike/Keeper

Contents: 1 strike/keeper.

Description: Chrome plated, diecast strike/keeper; use with steel panels; for round bar concealed latch.

You may wish to stock these related parts: **PH-17041**, **PH-17042**, **PH-17043**, **PH-17061**.



PH-17044

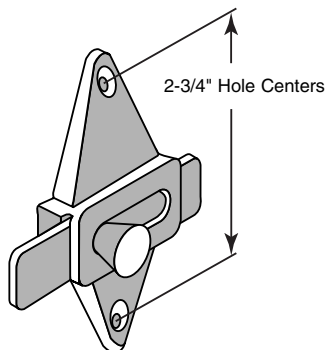
Throw Latch

Contents: 1 slide latch.

Description: Chrome plated, brass throw latch; use with any door thickness.

You may wish to stock these related parts: **PH-17028**, **PH-17034**, **PH-17036**, **PH-17061**.

PH-17039



PH-17039

Slide Latch

Contents: 1 slide latch.

Description: Chrome plated, diecast slide latch; use with any door thickness.

You may wish to stock these related parts: **PH-17030**, **PH-17032**, **PH-17035**, **PH-17061**.

Restroom Partition Hardware

PH-17040

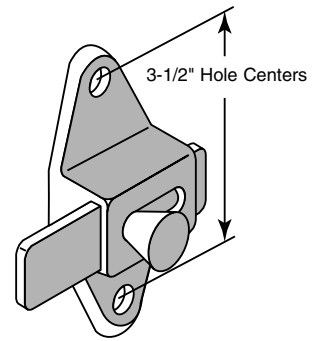
Slide Latch

Contents: 1 slide latch.

Description: Chrome plated, diecast slide latch; use with any thickness door.

You may wish to stock these related parts: PH-17030, PH-17032, PH-17035, PH-17061.

PH-17040



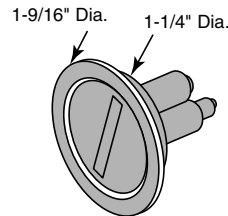
PH-17041

Emergency Entry Knob

Contents: 1 emergency entry knob.

Description: Chrome plated, diecast entry knob; use with PH-17045 concealed door lock.

You may wish to stock these related parts: PH-17042, PH-17045.



PH-17041

PH-17042

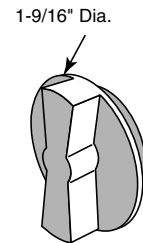
Interior Locking Knob

Contents: 1 interior locking knob.

Description: Chrome plated, diecast locking knob; use with PH-17045 concealed door lock.

You may wish to stock these related parts: PH-17042, PH-17045.

PH-17042



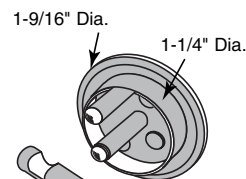
PH-17043

Concealed Lock

Contents: 1 concealed lock.

Description: Chrome plated, diecast concealed lock with straight bar; use with 1" thick laminate doors.

You may wish to stock these related parts: PH-17029, PH-17038, PH-17046, PH-17061.



PH-17043

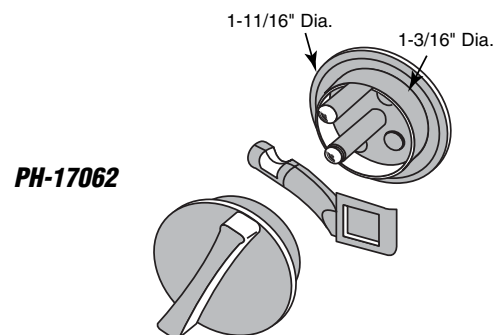
PH-17062

Concealed Lock

Contents: 1 concealed lock.

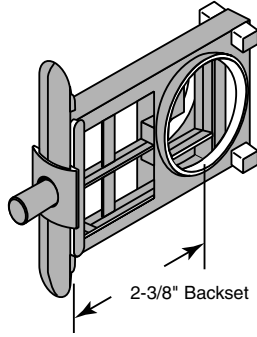
Description: Chrome plated, diecast concealed lock with flat bar; use with 1" thick steel doors.

You may wish to stock these related parts: PH-17039, PH-17040, PH-17043, PH-17044.



PH-17062

PH-17045



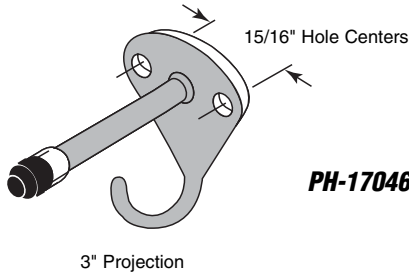
PH-17045

Concealed Door Lock

Contents: 1 concealed door lock.

Description: Zamak diecasting; for use on 1" thick doors; may be used with PH-17041 and PH-17042.

You may wish to stock these related parts: PH-17041, PH-17042.



PH-17046

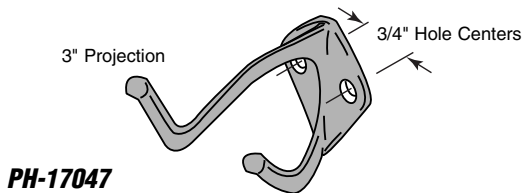
PH-17046

Bumper Hook

Contents: 1 bumper hook.

Description: Chrome plated, diecast bumper hook; rubber tipped; for general purpose use.

You may wish to stock these related parts: PH-17039, PH-17040, PH-17044, PH-17061.



PH-17047

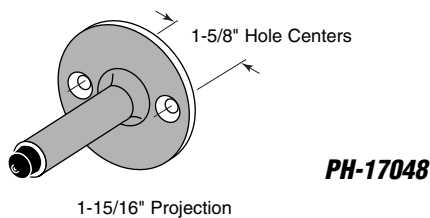
PH-17047

Coat Hook

Contents: 1 coat hook.

Description: Chrome plated, diecast coat hook; two prongs; for general purpose use.

You may wish to stock these related parts: PH-17039, PH-17040, PH-17044, PH-17061.



PH-17048

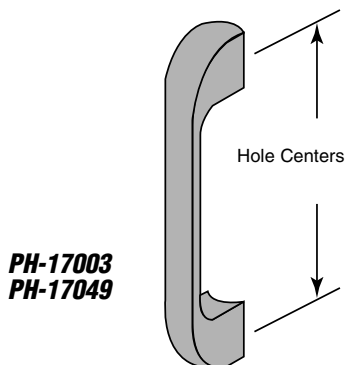
PH-17048

Door Stop

Contents: 1 door stop.

Description: Chrome plated, diecast door stop; rubber tipped; for general purpose use.

You may wish to stock these related parts: PH-17039, PH-17040, PH-17044, PH-17061.



**PH-17003
PH-17049**

PH-17003 (3-1/2" hole centers)

PH-17049 (3-1/2" and 4" hole centers)

Door Pull

Contents: 1 door pull.

Description: Chrome plated, diecast door pull; 4-#10-24 tapped holes; for general purpose use.

You may wish to stock these related parts: PH-17039, PH-17040, PH-17044, PH-17061.

Restroom Partition Hardware

PH-17050 (1/2" Chrome plated brass)

PH-17051 (5/8" Chrome plated steel)

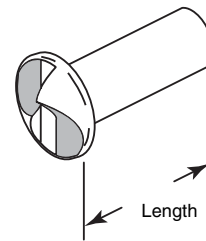
PH-17052 (5/8" Chrome plated brass)

"One-Way" Barrel Nut

Contents: 10 barrel nuts.

Description: Chrome plated, brass and steel barrel nuts; #10-24 threads; use with shoulder bolts for various part assemblies.

**PH-17050
PH-17051
PH-17052**



PH-17053 (1/2" Chrome plated brass)

PH-17054 (15/16" Chrome plated brass)

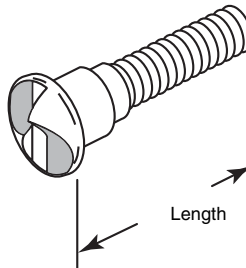
PH-17055 (1-3/16" Chrome plated steel)

"One-Way" Shoulder Screw

Contents: 10 shoulder screws.

Description: Chrome plated, brass and steel shoulder screws; #10-24 threads; use with barrel nuts for various part assemblies.

**PH-17053
PH-17054
PH-17055**



PH-17056 (3/4" Chrome plated steel)

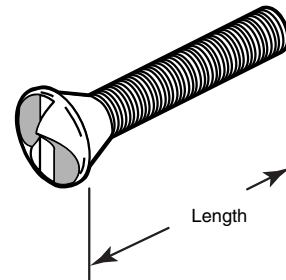
PH-17057 (1-3/8" Chrome plated steel)

"One-Way" Machine Screw

Contents: 10 machine screws.

Description: Chrome plated, steel machine screws; #8-32 threads; use on general purpose applications.

**PH-17056
PH-17057**



PH-17058 (No. 8 x 3/4")

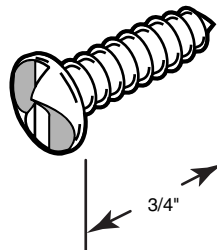
PH-17059 (No. 10 x 3/4")

"One-Way" Sheet Metal Screw

Contents: 10 sheet metal screws.

Description: Chrome plated, steel metal screws; for use on various part assemblies as well as general purpose applications.

**PH-17058
PH-17059**



PH-17061

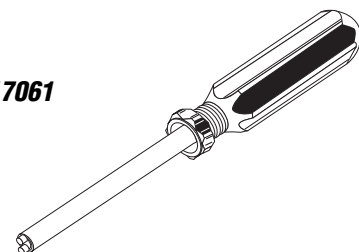
"One-Way" Screw Removal Tool

Contents: 1 tool.

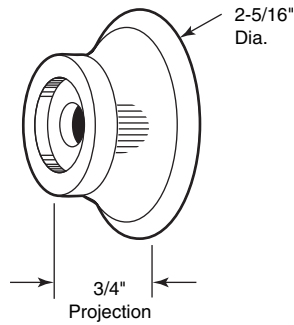
Description: Specially designed to remove "one-way" fasteners, either #8 or #10 sizes.

You may wish to stock these related parts: **PH-17050, PH-17051, PH-17052, PH-17053, PH-17054, PH-17055, PH-17056, PH-17057, PH-17058, PH-17059, PH-17060, PH-17061.**

PH-17061



PH-17108



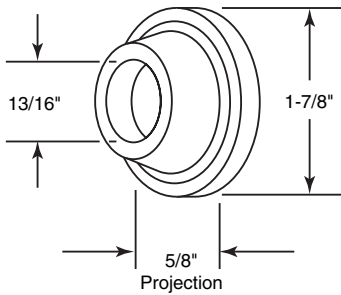
PH-17108 (Clear)

Door Bumper

Contents: 2 door stops; 2 no. 6 x 1-1/4" Phillips pan head sheet metal screws; 2 no. 6 x 1" plastic anchors.

Description: Clear soft vinyl; protects against marred walls; absorbs impact of door knob at contact point with wall; easily detached from wall by removing screw. Clear plastic construction is unassuming and allows paint colors or wall paper design to show through.

You may wish to stock these related parts: **PH-17039, PH-17040, PH-17044, PH-17061.**



PH-17063
PH-17064

PH-17063 (White)

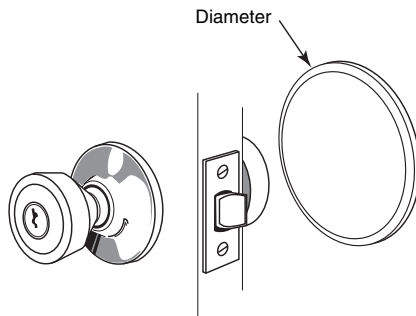
PH-17064 (Gray)

Door Bumper

Contents: 2 bumpers.

Description: Solid rubber; concave center; self-adhering; absorbs impact of door knob at contact point with wall.

You may wish to stock these related parts: **PH-17039, PH-17040, PH-17044, PH-17061.**



PH-17109
PH-17110

PH-17109 (3-1/4" Diameter)

PH-17110 (5" Diameter)

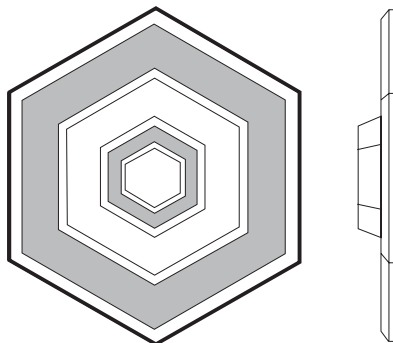
Wall Protector (Ivory)

Contents: 1 protector.

Description: Rigid vinyl; self adhesive; protects interior walls from impact damage by shielding contact point of wall and door knob; repairs damaged walls.

You may wish to stock these related parts: **PH-17039, PH-17040, PH-17044, PH-17061.**

PH-17107



PH-17107 (White)

Wall Protector (5" hexagon)

Contents: 1 shield

Description: Flexible vinyl; self-adhesive; paintable; protects interior walls from impact damage by shielding contact point of wall and door knob; repairs damaged walls.

You may wish to stock these related parts: **PH-17039, PH-17040, PH-17044, PH-17061.**

MASTER INDEX

Part#	Page#	Part#	Page#	Part#	Page#	Part#	Page#	Part#	Page#
1106-N	11-14	11649	11-17	112119	11-21	1293	12-7	122090	12-8
1108	11-2	11657	11-10	112120	11-18	1297	12-3	123120	12-10
1108-B	11-2	11658	11-9	112121	11-20	12113	12-9	1322	13-3
1109	11-2	11666	11-4	112122	11-18	12124	12-7	1324	13-3
1109-B	11-2	11666-B	11-4	112123	11-20	12137	12-7	1326	13-1
1110	11-18	11668	11-11	112124	11-19	12138	12-1	1328	13-1
1112	11-19	11723	11-3	112125	11-22	12148	12-7	1378	13-21
1113	11-20	11748	11-14	112127	11-11	12162	12-8	1378-S	13-21
1114	11-7	11749	11-3	112128	11-11	12163	12-8	1387	13-33
1114-B	11-7	11750	11-18	112133	11-12	12204	12-7	13126	13-2
1115	11-20	11930	11-3	112134	11-21	12209	12-9	13127	13-26
1116	11-8	11960	11-5	112135	11-21	12262-L	12-1	13127-2	13-26
1120	11-16	11960-B	11-5	112136	11-21	12262-R	12-1	13128	13-7
1123	11-16	111085	11-6	112137	11-2	12263	12-9	13129	13-6
1125	11-16	111136	11-14	112138	11-4	12303	12-7	13134	13-7
1130	11-8	111218	11-10	112139	11-22	12304	12-8	13135	13-15
1140	11-1	111370	11-12	112140	11-9	12305	12-6	13135-1.25	13-15
1140-B	11-1	111437	11-6	112141	11-17	12321	12-10	13143	13-26
1141	11-7	111452	11-15	112142	11-12	12324	12-2	13143-N-1.50	13-26
1142	11-8	111486	11-15	112143-7	11-22	12550	12-2	13143-S-1.50	13-26
1143	11-1	111492	11-17	112143-8	11-22	12609	12-2	13157	13-33
1144	11-1	111498	11-11	112144	11-6	12673	12-7	13158	13-30
1144-B	11-1	111591	11-11	112176	11-15	12713	12-10	13164	13-6
1145-B	11-7	111684	11-9	112189	11-4	12801	12-12	13167	13-9
1146-B	11-7	111730	11-2	112190	11-13	12952	12-3	13168	13-9
1147	11-3	111731	11-2	112191	11-13	12963	12-2	13169	13-8
1147-B	11-3	111757	11-4	112192	11-4	121087	12-4	13170	13-5
1148	11-4	111764	11-17	112193	11-11	121088	12-9	13170-S	13-5
1148-B	11-4	111766	11-2	112194	11-1	121090	12-11	13171	13-6
1168	11-8	111769	11-3	112195	11-12	121091	12-12	13172	13-8
1169	11-9	111770	11-12	112196	11-5	121236	12-12	13173	16-27
1175	11-6	111825	11-3	112197	11-12	121327	12-2	13173-S	13-4
1176	11-17	111840	11-15	112198	11-4	121402	12-2	13174	13-14
1186	11-3	111840-L	11-15	112199	11-5	121480	12-11	13175	13-13
1186-B	11-3	111840-R	11-15	112200	11-2	121506	12-10	13176	13-14
1189	11-17	111870	11-12	112201	11-5	121685	12-3	13177	13-14
1192	11-1	111872	11-12	112203	11-13	121686	12-12	13177-S	13-14
11101	11-3	111872-N	11-12	112204	11-13	121732	12-4	13178	13-6
11101-B	11-3	111879	11-12	112205	11-19	121740	12-4	13179	13-29
11110	11-16	111894	11-15	112206	11-6	121751	12-10	13180	13-31
11111	11-16	111919	11-9	112208	11-16	121799	12-4	13181	13-13
11112	11-16	111952	11-10	112209	11-5	121803	12-4	13182	13-7
11115	11-16	111970	11-1	112210	11-3	121880	12-5	13182-N	13-7
11116	11-15	111971	11-8	112211	11-15	121969	12-9	13212	13-36
11117	11-15	112021	11-10	112212	11-15	121996	12-12	13212-B	13-36
11118	11-3	112022	11-11	112213	11-23	121997	12-5	13221	13-3
11119	11-6	112040	11-13	112423	11-9	122016	12-12	13221-S	13-3
11120	11-5	112060	11-5	112424	11-22	122016-B	12-12	13290	13-21
11121	11-4	112092	11-8	B-613	11-22	122070	12-5	13293	13-24
11121-B	11-4	112093	11-18	B-614	11-22	122071	12-8	13294	13-4
11122	11-5	112094	11-1	B-615	11-22	122072	12-1	13295	13-33
11123	11-5	112095	11-1	B-616	11-22	122073	12-9	13336	13-5
11130	11-18	112096	11-11	1204-L	12-1	122074	12-8	13337	13-13
11201	11-7	112097	11-14	1204-R	12-1	122075	12-3	13372-24	13-37
11203	11-7	112098	11-14	1207-M	12-11	122076	12-2	13373	13-25
11313	11-6	112099	11-10	1207-N	12-11	122077	12-10	13374	13-8
11314	11-3	112100	11-10	1207-W	12-11	122078	12-3	13391	13-23
11433	11-9	112101	11-10	1217	12-4	122079	12-11	13392	13-5
11434	11-9	112102	11-13	1218	12-9	122080	12-3	13393	13-15
11475	11-1	112104	11-14	1233-L	12-5	122081	12-12	13394	13-7
11516	11-2	112111	11-2	1233-R	12-5	122082	12-6	13395	13-29
11516-B	11-2	112112	11-2	1234	12-8	122083	12-5	13395-S	13-29
11556	11-22	112113	11-19	1270	12-6	122084	12-6	13406	13-24
11597	11-2	112114	11-21	1270-B	12-6	122085	12-6	13435	13-24
11597-B	11-2	112115	11-19	1273	12-8	122086	12-5	13464	13-32
11639	11-23	112116	11-19	1273-S	12-8	122087	12-1	13482	13-30
11640	11-20	112117	11-21	1281	12-1	122088	12-5	13482-S	13-30
11641	11-9	112118	11-20	1281-B	12-1	122089	12-6	13487	13-25

MASTER INDEX

Part#	Page#	Part#	Page#	Part#	Page#	Part#	Page#	Part#	Page#
13487-1.25	13-25	131464	13-17	132272	13-11	132346	13-22	14436	14-14
13562	13-2	131466	13-19	132274	13-21	132347	13-23	14438	14-11
13563	13-10	131467	13-20	132275	13-16	132348	13-15	14439	14-15
13601	16-23	131468	13-19	132276	13-15	132349	13-9	14479	14-11
13602	16-29	131469	13-19	132277	13-33	132351	13-22	14480	14-11
13630	13-34	131470	13-19	132278	13-31	132352	13-36	14503	15-16
13650	16-26	131471	13-12	132279	13-5	132353	13-16	14504	15-6
13662	13-4	131472	13-11	132280	13-6	132354	13-4	14538	14-6
13670	13-1	131473	13-18	132281	13-28	132355	13-10	14538-B	14-6
13671	13-1	131474	13-20	132282	13-17	132356	13-28	14564	15-8
13689	13-37	131476	13-17	132283	13-22	132357	13-11	14564-B	15-8
13690	13-37	131477	13-17	132284	13-32	132358	13-3	14572	14-21
13691	13-37	131478	13-17	132285	13-32	132403	13-23	14572-B	14-21
13692	13-6	131479	13-16	132287	13-33	132526	13-26	14584	14-22
13714	13-1	131488	13-11	132288	13-30	132585	13-32	14584-B	14-22
13728	13-16	131489	13-8	132289	13-26	132586	13-37	14605	14-11
13808-N	13-29	131525	13-31	132290	13-34	132591	13-27	14643	14-18
13808-S	13-29	131532	13-23	132293	13-34	132592	13-27	14656	14-2
13811	13-10	131533	13-9	132294	13-31	132594	13-27	14664	14-1
13812	13-11	131534	13-8	132295	13-4	132595	13-10	14664-B	14-1
13840	13-30	131535	13-13	132296	13-4	132596	13-37	14664-W	14-1
13841	13-11	131604	13-19	132297	13-4	132597	13-6	14665	14-1
13846	13-35	131606	13-30	132298	13-32	132600	13-28	14665-B	14-1
13847	13-37	131683	16-27	132299	13-34	132601	13-8	14751	14-8
13848	13-1	131724	13-9	132300	13-25	132602	13-14	14810	14-7
13849	13-21	131729	13-13	132301	13-1	132603	13-23	14902	14-12
13949	13-22	131750	13-1	132302	13-1	132604	13-21	14903	14-12
13964	13-24	131760	13-30	132303	13-33	132605	13-29	14904	15-14
131033	13-29	131802	13-11	132304	13-15	133487	13-8	14906	14-21
131038	13-29	131804	13-25	132305	13-15	133492	13-1	14950	14-2
131241	13-31	131818	13-5	132306	13-36	133493	13-1	14950-K	14-2
131242	13-20	131846	13-10	132307	13-36	1449	14-21	14966	15-19
131244	13-26	131847	13-5	132308	13-1	1449-B	14-21	14966-B	15-19
131245	13-24	131848	13-9	132309	13-2	1471	14-19	14967	15-8
131246	13-16	131892	13-31	132310	13-35	1494	14-19	14977	14-9
131277	13-16	131895	13-1	132311	13-2	1495	14-19	14977-B	14-9
131278	13-16	131896	13-13	132312	13-3	14183	14-3	141152	14-11
131279	13-9	131897	13-28	132313	13-36	14183-B	14-3	141235	14-19
131280	13-13	131905	13-1	132314	13-34	14184	14-8	141237	14-20
131281	13-25	131911	13-16	132315	13-17	14186	14-18	141311	14-5
131282	13-15	131912	13-22	132316	13-21	14200-A	14-4	141312	15-17
131283	13-15	131913	13-28	132317	13-25	14200-B	14-4	141313	14-13
131292	13-14	131914	13-9	132318	13-26	14205-L	14-3	141314	14-13
131293	13-14	131951	13-21	132319	13-16	14205-R	14-3	141315	14-6
131294	13-7	131953	13-10	132320	13-12	14206	14-1	141316	14-6
131295	13-5	131954	13-23	132321	13-2	14206-B	14-1	141318	14-13
131296	13-22	131972	13-1	132323	13-27	14206-W	14-2	141319	14-13
131297	13-30	131973	13-30	132324	13-12	14300	14-4	141388	15-13
131298	13-28	131980	13-6	132325	13-12	14323	14-11	141389	15-13
131299	13-23	131984	13-29	132326	13-15	14323-B	14-11	141531	15-5
131300	13-23	131985	13-21	132327	13-13	14346	14-8	141539	14-11
131302	13-27	131986	13-32	132328	13-11	14347	14-7	141587	14-10
131303	13-10	132024	13-27	132329	13-29	14377	14-2	141638	14-12
131305	13-10	132026	13-26	132331	13-32	14387	14-3	141639	14-12
131433	13-10	132027	13-18	132332	13-32	14387-B	14-3	141640	14-12
131446	13-37	132028	13-13	132333	13-1	14388	14-16	141642	14-16
131447	13-37	132039	13-17	132334	13-1	14399	14-7	141688	14-17
131449	13-18	132041	13-20	132335	13-1	14399-B	14-7	141706	14-5
131451	13-26	132108	13-10	132336	13-1	14416	14-13	141725	15-2
131454	13-12	132172	13-12	132337	13-3	14418	15-13	141726	15-11
131455	13-12	132173	13-12	132338	13-2	14419	14-15	141752	14-2
131457	13-18	132174	13-12	132339	13-2	14420	14-12	141753	14-6
131458	13-18	132181	13-1	132340	13-36	14421	14-8	141763	14-16
131459	13-20	132182	13-1	132341	13-36	14422	14-8	141823	14-20
131460	13-19	132183	13-1	132342	13-35	14424	14-15	141824	14-9
131461	13-18	132269	13-2	132343	13-35	14425	15-16	141841	14-11
131462	13-20	132270	13-5	132344	13-22	14426	15-3	141842	14-6
131463	13-13	132271	13-14	132345	13-17	14432	14-21	141843	14-18

MASTER INDEX

Part#	Page#	Part#	Page#	Part#	Page#	Part#	Page#	Part#	Page#
141844	14-11	142263	14-10	15267-W	15A-15	151440	24-5	152777	15A-14
141845	14-6	142264	14-10	15268	15A-16	151441	24-5	152778	15A-8
141860	14-21	142265	14-10	15269	15A-8	151442	24-5	152778-W	15A-8
141866	14-18	142266	14-6	15269-B	15A-8	151527	15-3	152781	15A-13
141968	14-3	142267	14-17	15269-W	15A-8	151641	14-24	152782	15A-14
141974	15-8	142322	14-15	15301	15A-10	151649	14-24	152783	15A-14
141974-B	15-8	142359	14-16	15301-B	15A-10	151650	14-24	152784	15A-10
141974-W	15-7	142369	14-11	15311-1	15-4	151784	15-19	152786	15A-12
141975	14-13	142370	14-13	15384	15-3	151828	15A-9	152787	15A-11
141994	14-15	142371	14-14	15389	15-3	151865	15-9	152788	15A-11
142023	14-13	142372	14-15	15400-17	15-9	151881	15-15	152790	15A-12
142029	15-6	142373	14-15	15400-18	15-9	151888	15-4	152791	15A-16
142029-B	15-6	142374	14-17	15400-19	15-9	151890	15-5	152792	15A-16
142043	14-14	142375	14-20	15400-20	15-10	151955	15-11	152793	15A-14
142053	14-1	142376	14-23	15400-26	15-6	152179	15-14	152794	15A-15
142054	14-4	142377	14-23	15410	15-2	152180	15-5	152795	15A-15
142055	14-18	142378	14-23	15410-F	15-2	152469	15-1	152796	15A-16
142069-L	14-13	142379	14-8	15414	15A-9	152471	15-2	152803	15A-16
142069-R	14-13	142574	14-18	15414-B	15A-9	152473	15-6	152814	15A-18
142178	14-17	142575	14-18	15448	15A-13	152474	15-4	152816	15A-12
142214	14-14	142854	14-2	15460	15-15	152476	15-7	152820	15A-12
142215	14-24	143491	14-18	15481	15-12	152477	15-7	152821	15A-12
142216	14-24	143494	14-1	15500	15-3	152479	15-8	152825	15A-12
142217	14-5	143495	14-17	15501	15-19	152479-B	15-8	152828	15A-16
142218	14-9	143528	14-6	15502	15-19	152480	15-8	152829	15A-7
142219	14-9	143529	14-22	15510	15-4	152480-B	15-8	152831	15A-12
142220	14-2	143530	14-9	15561-A	15A-9	152481	15-8	152833	15A-15
142221	14-2	143531	14-22	15561-B	15A-9	152481-B	15-8	152837	15A-16
142222	14-24	143532	14-9	15561-W	15A-9	152482	15-10	152838	15A-16
142223	14-24	143533	14-8	15565-A	15-14	152482-B	15-10	152842	15A-10
142224-L	14-19	143545	14-5	15565-B	15-14	152483	15-11	152844	15A-10
142224-R	14-19	143546	14-5	15566-A	15-14	152483-B	15-11	153248	15A-11
142226	14-2	1505	15-13	15566-B	15-14	152484-A	15-19	153249	15A-11
142227	14-2	1505-KA	15-13	15567-A	14-21	152484-B	15-19	153251	15A-13
142228	14-7	1505-SG-KA	15-13	15585	14-20	152484-C	15-19	153284	15A-15
142229	14-5	1505-SG-KD	15-13	15585-B	14-20	152484-D	15-19	153306	15A-14
142230	14-5	1511	15-17	15586	15A-14	152484-E	15-19	153307	15A-14
142231	14-4	1521	15-1	15593	15-15	152485	15-10	153337	15A-9
142232	14-16	1521-1	15-1	15611	15A-10	152486	15-16	153338	15A-9
142233	14-13	1521-1-SS	15-1	15611-B	15A-10	152489	15-15	153340	15A-16
142234	14-22	1551	15-17	15620-2	15-14	152490	15-10	153451	15A-13
142235	14-16	1552-L	15-18	15644	15-14	152491	15-5	153483	15A-8
142236	14-4	1552-R	15-18	15655	15-10	152492	15-5	153484	15A-8
142237	14-22	1577	15-3	15669	15-12	152493	15-9	153485	15A-8
142237-W	14-22	1596	15-7	15675	15A-15	152494	15-12	153497	15-10
142238	14-3	1599	15A-8	15683	15A-16	152495	15-5	153523	15A-14
142239	14-13	1599-B	15A-8	15684	15A-16	152497	15-17	1639-B	16-3
142240	14-21	1599-K	15A-9	15700	15A-12	152498	15-7	1639-F	16-3
142241	14-21	1599-K-B	15A-9	15718	15A-19	152499	15-6	16102	16-13
142242	14-6	1599-ML	15A-8	15778	15-15	152500	15-6	16103	16-13
142243	14-2	1599ML-B	15A-8	15802	15A-15	152501	15-1	16104	16-31
142244	14-20	1599ML-W	15A-8	15806	15-15	152502	15-9	16105	16-13
142245	14-22	1599-W	15A-8	15832-A	15-19	152503	15-17	16106	16-15
142246	14-14	15100	15A-9	15832-B	15-19	152504	15-1	16108	16-13
142247	14-9	15100-B	15A-9	15832-C	15-19	152505	15-1	16109	16-12
142249	14-14	15114	15-17	15832-D	15-19	152506	15-7	16131	16-10
142250	14-9	15187	15-4	15832-E	15-19	152507	15-11	16132-L	16-8
142251	14-18	15188	15-16	15968	15-13	152508	15-10	16132-R	16-8
142252	14-13	15189	15-13	151034	15-15	152509	15-11	16136	16-31
142253	14-22	15190	15-18	151035	15-16	152510	15-2	16197	16-1
142254	14-22	15191	15-4	151284	15A-14	152511	15-2	16198	16-1
142255	14-22	15192	15-6	151284-B	15A-14	152512	15-15	16202-B	16-2
142256	14-15	15193	15-18	151285	15A-13	152513	15-12	16202-F	16-2
142257	14-23	15194	15-18	151291	15-1	152514	15-12	16208-A	16-58
142258	14-23	15195	15-18	151309	15-15	152515	15-12	16209-A	16-59
142259	14-23	15199	15-15	151310	15-7	152516	15-16	16210-B	16-2
142260	14-10	15266	15A-12	151317	15A-16	152517	15-7	16210-F	16-2
142262	14-10	15267	15A-15	151439	15-18	152518	15-10	16211-B	16-2

MASTER INDEX

<i>Part#</i>	<i>Page#</i>	<i>Part#</i>	<i>Page#</i>	<i>Part#</i>	<i>Page#</i>	<i>Part#</i>	<i>Page#</i>	<i>Part#</i>	<i>Page#</i>
16215	16-33	16576	16-59	16894	16-55	161522	16-51	162453	16-1
16216-B	16-1	16577	16-59	16895	16-55	161523	16-39	162454	16-5
16216-F	16-1	16596	16-35	16896	16-55	161524	16-38	162455	16-5
16217	16-30	16618	16-61	16897	16-56	161528	16-25	162457	16-21
16218-B	16-11	16661	16-25	16898	16-56	161584	16-26	162460	16-21
16218-F	16-11	16682	16-20	16909	16-55	161678	16-35	162462	16-23
16222-B	16-2	16697	16-32	16914	16-56	161689	16-52	162576	16-50
16223	16-59	16704	16-8	16915	16-39	161690	16-51	162973	16-47
16224-B	16-1	16727	16-29	16916	16-40	161771	16-28	162974	16-35
16224-F	16-1	16752	16-32	16917	16-52	161772	16-24	162975	16-37
16225	16-61	16759	16-13	16918	16-54	161783	16-30	162976	16-37
16226	16-7	16760	17B-5	16919	16-54	161791	16-63	162977	16-30
16245	16-16	16761	16-16	16920	16-54	161792	16-63	162978	16-31
16257-B	16-1	16762	16-16	16921	16-54	161793	16-63	162979	16-31
16257-F	16-1	16763	16-16	16922	16-54	161794	16-64	162980	16-31
16258-B	16-11	16764	16-16	16923	16-54	161795	16-64	162981	16-34
16258-F	16-11	16765	16-14	16924	16-53	161796	16-64	162982	16-36
16259	16-37	16766	16-14	16936	16-53	161797	16-64	162983	16-38
16260	16-35	16767	16-16	16937	16-53	161798	16-64	162984	16-35
16261	16-37	16768	16-16	16939	16-43	161850	16-63	162985	16-35
16277	16-3	16769	16-14	16974	16-32	161855	16-19	162986	16-20
16278	16-3	16770	16-14	161081	16-60	161882	16-26	162987	16-21
16279	16-3	16771	16-14	161082	16-4	161887	16-62	162988	16-35
16280	16-60	16772	16-14	161083	16-49	161898	16-21	162989	16-36
16281	16-13	16773	16-15	161084	16-31	161899	16-22	162990	16-38
16297	16-41	16774	16-15	161092	16-31	161900	16-33	162991	16-38
16298	16-48	16775	16-15	161093	16-45	161901	16-35	163093	16-47
16299	16-46	16776	16-15	161095	16-21	161902	16-37	163094	16-27
16302	16-10	16777	16-15	161096	16-20	161903	16-51	163095	16-27
16316-B	16-2	16815	16-21	161099	16-4	161908	16-50	163096	16-27
16316-F	16-2	16851	16-39	161100	16-60	161909	16-43	163098	16-28
16317-B	16-11	16852	16-53	161101	16-48	161910	16-20	163099	16-39
16317-F	16-11	16853	16-52	161102	16-40	161929	16-10	163100	16-36
16318-B	16-2	16854	16-53	161103	16-42	161930	16-61	163101	16-46
16318-F	16-2	16855	16-57	161104	16-4	161931	16-23	163102	16-49
16319	16-12	16860	16-56	161107	16-38	161932	16-27	163103	16-41
16320	16-17	16861	16-56	161109	16-34	161933	16-32	163104	16-29
16326	16-18	16862	16-49	161110	16-46	161934	16-37	163105	16-28
16369	16-41	16863	16-53	161111	16-35	161935	16-4	163106	16-12
16381	16-9	16864	16-53	161112	16-4	161936	16-8	163107	16-17
16382	16-9	16865	16-53	161137	16-18	161937	16-33	163108	16-17
16383	16-9	16866	16-53	161138	16-61	161962	16-51	163109	16-39
16427	16-7	16867	16-53	161139	16-44	161978	16-34	163110	16-38
16428	16-7	16868	16-53	161140	16-45	161979	16-43	163111	16-9
16449	16-6	16869	16-52	161141	16-45	161987	16-3	163112	16-50
16450	16-6	16870	16-53	161142	16-45	161988	16-3	163113	16-9
16451	16-31	16871	16-52	161143	16-43	161998	16-3	163114	16-4
16452	16-6	16872	16-53	161144	16-36	161999	16-3	163115	16-10
16453	16-6	16873	16-54	161145	16-38	162000	16-33	163116	16-10
16465	16-18	16874	16-52	161146	16-41	162014	16-36	163117	16-10
16466	16-17	16876	16-52	161147	16-43	162015	16-34	163119	16-29
16467	16-34	16877	16-52	161148	16-30	162017	16-42	163121	16-47
16468	16-17	16878	16-53	161149	16-32	162018	16-51	163132	16-19
16469	16-18	16879	16-54	161150	16-4	162038	16-30	163134	16-12
16470	16-38	16880	16-52	161151	16-4	162058	16-41	163135	16-63
16471	16-36	16881	16-52	161230	16-31	162062	16-20	163136	16-20
16472	16-47	16882	16-53	161234	16-47	162063	16-21	163137	16-21
16490	16-58	16883	16-53	161371	16-3	162107	16-44	163138	16-20
16491	16-58	16884	16-53	161372	16-3	162164	16-11	163139	16-20
16492	16-55	16885	16-52	161494	16-62	162165	16-11	163140	16-52
16497	16-59	16886	16-56	161495	16-62	162167	16-42	163142	16-62
16498	16-8	16887	16-56	161496	16-62	162168	16-60	163143	16-36
16499	16-10	16888	16-55	161497	16-49	162169	16-46	163144	16-44
16554	16-39	16889	16-55	161509	16-37	162170	16-47	163145	16-44
16557	16-7	16890	16-55	161510	16-42	162171	16-50	163146	16-44
16558	16-7	16891	16-55	161515	16-34	162399	16-27	163147	16-27
16559	16-19	16892	16-55	161520	16-63	162445	16-24	163148	16-40
16560	16-19	16893	16-55	161521	16-45	162452	16-1	163149	16-46

MASTER INDEX

Part#	Page#	Part#	Page#	Part#	Page#	Part#	Page#	Part#	Page#
163150	16-48	163221-B	16-11	1762-LW	17C-1	17370-B	17C-16	17613	17B-5
163151	16-54	163221-F	16-11	1762-LW-6	17C-1	17370-W	17C-16	17633	17B-11
163152	16-53	163222-B	16-1	1762-LW-7	17C-1	17371	17A-3	17634-L	17C-17
163153	16-52	163222-F	16-1	1762-LW-8	17C-1	17386	17B-11	17634-R	17C-17
163154	16-42	163223-B	16-11	1762-RA	17C-1	17390-LA	17C-1	17642	17B-3
163155	16-47	163223-F	16-11	1762-RA-6	17C-1	17390-LA-6	17C-1	17674	15A-6
163156	16-24	163224	16-55	1762-RA-7	17C-1	17390-LA-7	17C-1	17676	17B-23
163157	16-49	163226	16-55	1762-RA-8	17C-1	17390-LA-8	17C-1	17677	17B-22
163158	16-24	163227	16-56	1762-RB	17C-1	17390-LB	17C-1	17678	17B-22
163159	16-25	163228	16-56	1762-RB-6	17C-1	17390-LB-6	17C-1	17679	17B-21
163162	16-22	163230	16-56	1762-RB-7	17C-1	17390-LB-7	17C-1	17680	17B-22
163163	16-49	163231	16-56	1762-RB-8	17C-1	17390-LB-8	17C-1	17693	15A-4
163164	16-48	163236	16-31	1762-RW	17C-1	17390-LW	17C-1	17694	15A-6
163165	16-45	163282	16-54	1762-RW-6	17C-1	17390-LW-8	17C-1	17695-BB	15A-3
163166	16-45	163283	16-53	1762-RW-7	17C-1	17390-RA	17C-1	17695-BB	17A-13
163167	16-18	163466-B	16-2	1762-RW-8	17C-1	17390-RA-6	17C-1	17695-W	17A-13
163168	16-52	163466-F	16-2	17139	17B-1	17390-RA-7	17C-1	17696	17B-20
163169	16-24	163467	16-8	17140	17B-1	17390-RA-8	17C-1	17698	17B-8
163170	16-57	163468	16-8	17141	17B-13	17390-RB	17C-1	17701	17A-10
163171	16-5	163469	16-40	17142	17B-9	17390-RB-6	17C-1	17710	17B-21
163172	16-25	163470	16-40	17144	17B-7	17390-RB-7	17C-1	17717	17B-19
163173	16-51	163471	16-56	17155	17B-2	17390-RB-8	17C-1	17719	17A-4
163174	16-26	163472	16-42	17196	15A-5	17390-RW	17C-1	17720-LA	17C-17
163175	16-18	163473	16-40	17219	15A-2	17390-RW-8	17C-1	17720-LB	17C-17
163176-B	16-5	163474	16-52	17219-B	15A-2	17396	17B-18	17720-RA	17C-17
163176-F	16-5	163475	16-52	17219-W	15A-2	17396-S	17B-18	17720-RB	17C-17
163177	16-48	163476	16-53	17228-L	17A-6	17401	17A-1	17721	17B-8
163178	16-19	163477	16-57	17228-R	17A-6	17402	17B-13	17735	17A-4
163179	16-19	163478	16-57	17229	17B-2	17407	17C-3	17736	17A-4
163180	16-20	163479	16-57	17230	17B-8	17408	17C-14	17739	17B-2
163183	16-5	163480	16-57	17231	17B-7	17413	17B-16	17753	17B-5
163184	16-6	163481	16-58	17232	17B-12	17429	17B-12	17754	17B-8
163185-B	16-5	163482	16-58	17233	17B-19	17430	17C-16	17755	17A-9
163185-F	16-5	163488	16-51	17237	17A-2	17430-B	17C-16	17755-CR	17A-9
163186	16-38	163490	16-8	17238	17A-3	17430-W	17C-16	17755-W	17A-9
163187	16-43	163498	16-31	17239	17B-8	17445	17A-11	17756	17A-9
163188	16-20	163499	16-63	17240	17C-4	17473	17A-1	17757	17B-4
163190	16-60	163501	16-63	17240-B	17C-4	17474	17B-7	17758	17B-5
163191	16-26	163502	16-63	17240-W	17C-4	17474-S	17B-7	17813	17B-2
163192	16-28	163505	16-62	17240-2	17C-4	17478	17B-19	17819-LB	17C-4
163193	16-44	163506	16-20	17240-2-B	17C-4	17483	17B-7	17819-RB	17C-4
163194	16-25	163507	16-62	17240-2-W	17C-4	17484	17A-7	17820	17C-14
163195	16-28	163509	16-19	17241	17C-4	17505	17A-3	17823	17B-11
163196	16-50	163510	16-19	17242	17C-5	17506	17A-8	17899	17A-4
163197-B	16-29	163511	16-19	17243	17C-5	17552	17B-2	17901	17B-12
163197-C	16-29	163512	16-19	17243-B	17C-5	17553	17A-2	17931	15A-6
163197-G	16-29	163513-F	16-12	17243-W	17C-5	17555	17B-9	17942	15A-6
163197-W	16-29	163513-B	16-12	17243-2	17C-5	17570-L	17C-2	17975	17C-2
163198-B	16-30	1760	17C-10	17243-2-B	17C-5	17570-R	17C-2	17976	17C-3
163198-C	16-30	1760-A-LA	17C-10	17243-2-W	17C-5	17571	17C-3	171067-L	17C-2
163198-G	16-30	1760-A-LB	17C-10	17271	15A-1	17573	17A-7	171067-L-13.5	17C-2
163198-W	16-30	1760-A-LW	17C-10	17271-B	15A-1	17574	17A-7	171067-R	17C-2
163199-B	16-12	1760-A-RA	17C-10	17271-W	15A-1	17578	17B-4	171067-R-13.5	17C-2
163199-F	16-12	1760-A-RB	17C-10	17322	17A-5	17587	17A-1	171080	17B-14
163200	16-62	1760-A-RW	17C-10	17325	17B-2	17587-B	17A-1	171117	17A-10
163201	16-22	1760-B	17C-10	17330-L	17C-19	17588	17A-5	171118	17A-10
163203	16-36	1760-W	17C-10	17330-R	17C-19	17588-B	17A-5	171119	17A-15
163204	16-46	1761	17C-16	17338	17B-23	17589	15A-5	171120	17B-22
163205	16-21	1761-L	17C-16	17339	17B-24	17589-B	15A-5	171121	17B-21
163206	16-17	1761-R	17C-16	17360	17C-18	17594	17B-22	171129	17C-22
163207	16-14	1762-LA	17C-1	17361	17B-23	17600-A	15A-2	171130	17C-19
163208	16-61	1762-LA-6	17C-1	17364	17B-16	17600-B	15A-2	171131	15A-1
163209	16-58	1762-LA-7	17C-1	17365	17A-11	17600-W	15A-2	171132	15A-1
163210	16-62	1762-LA-8	17C-1	17366	17B-1	17607	17B-20	171134	17C-22
163218	16-23	1762-LB	17C-1	17367	17B-24	17608	17B-9	171135	17C-19
163219	16-23	1762-LB-6	17C-1	17368-L	17A-6	17610	17B-9	171217	17B-20
163220-B	16-1	1762-LB-7	17C-1	17368-R	17A-6	17612	15A-5	171391	17B-13
163220-F	16-1	1762-LB-8	17C-1	17370	17C-16	17612-B	15A-5	171394	17B-21

MASTER INDEX

<i>Part#</i>	<i>Page#</i>	<i>Part#</i>	<i>Page#</i>	<i>Part#</i>	<i>Page#</i>	<i>Part#</i>	<i>Page#</i>	<i>Part#</i>	<i>Page#</i>
171398	17C-17	171863	17B-6	172361	17A-2	172478	17B-3	172610-L	17C-11
171398-B	17C-17	171864	17B-13	172362	17A-1	172487	17B-23	172610-R	17C-11
171398-W	17C-17	171876	17B-16	172363	17A-8	172488	17B-3	172611	17C-11
171403	17B-11	171877	17B-16	172364	17A-3	172520	17B-1	172613	17C-11
171490	17B-13	171915	17A-13	172365	17A-5	172521	17B-1	172614	17C-22
171491	17A-7	171916-L	17A-7	172366	17A-3	172522	17B-5	172615	17C-4
171536	17A-7	171916-R	17A-7	172367	17A-3	172523	17B-15	172616	17C-22
171538	17B-9	171917	17A-13	172368	17A-14	172524	17B-12	172617	17C-6
171540	17B-22	171918	17A-6	172380	17A-14	172525	17B-15	172618	17C-13
171541	17C-24	171920	17B-15	172381	17A-14	172526	17B-16	172619-L	17C-6
171542	17C-24	171921	17B-13	172382	17A-1	172527	17B-13	172619-R	17C-6
171543	17C-24	171922	17B-23	172383	17A-1	172528	17B-14	172620-L	17C-7
171544	17C-24	171923-L	17C-17	172384	17A-2	172529	17B-14	172620-R	17C-7
171545	17C-24	171923-R	17C-17	172385	17A-2	172530	17B-10	172621-A	17C-9
171546	17C-24	171924-L	17C-6	172386	17A-2	172531	17B-5	172621-B	17C-9
171568	17A-15	171924-R	17C-6	172387	17A-6	172532	17B-6	172622-L	17C-12
171568-W	17A-15	171925	17C-4	172388	17A-15	172534	17B-10	172622-R	17C-12
171575	17A-16	171926-L	17C-6	172389	17A-15	172535	17B-10	172623-L	17C-12
171648	17B-7	171926-R	17C-6	172390	17A-15	172536	17B-23	172623-R	17C-12
171652	17A-1	171944	17C-18	172391	17A-13	172537	17B-14	172624	17C-13
171696	17A-11	171949	17A-9	172392	17A-14	172538	17B-14	172625	17C-12
171698	17B-10	171949-W	17A-9	172394	17B-6	172539	17B-19	172626	17C-12
171699	17B-10	171956	17B-21	172395	17A-14	172540	17B-12	172627	17C-18
171700	15A-1	171957	17B-15	172396	17A-14	172541	17B-9	172628-L	17C-17
171700-B	15A-1	171958	17B-3	172397	17A-7	172542	17B-9	172628-R	17C-17
171700-W	15A-1	171967	17B-16	172398	17A-10	172543	17B-20	172629	17C-18
171702	17B-7	171976	17A-9	172407	17A-4	172544	17B-14	172630	17C-18
171720	17C-3	171981	17A-7	172408	17A-7	172545	17B-1	172631	17C-14
171722	17B-3	171982	17B-11	172409	17A-5	172546	17B-7	172632	17C-11
171733	17B-8	171991	17A-2	172410-L	17A-7	172547	17B-2	172633	17C-23
171734	17B-18	171992	15A-3	172410-R	17A-7	172548	17B-15	172634	17C-9
171754	17A-3	171993	15A-3	172411	17A-9	172549	17B-4	172635-L	17C-13
171755	17A-8	172001	17B-6	172411-W	17A-9	172550	17B-15	172635-R	17C-13
171758	17A-11	172003	17C-5	172412	17A-8	172552	17B-21	172636-L	17C-13
171759	17A-6	172004	17C-5	172413	17A-8	172553	17B-18	172636-R	17C-13
171765	17C-24	172005	17C-5	172414	17A-10	172555	17B-4	172637	17C-15
171773	17C-24	172006	17C-5	172415	15A-5, 17A-6	172556	17B-11	172638	17C-11
171774	17C-24	172007	17C-5	172416	17A-5	172557	17B-15	172639-L	17C-7
171775	17C-23	172008	17C-5	172417	17A-5	172558	17B-4	172639-R	17C-7
171776-L	17C-19	172009	17C-5	172419	15A-6, 17A-6	172559	17B-18	172640	17C-7
171776-R	17C-19	172010	17C-5	172420	17A-4	172560	17B-20	172641	17C-7
171777-L	17C-21	172011	17C-5	172421	17A-16	172561	17B-17	172642-L	17C-7
171777-R	17C-21	172012	17C-5	172422	17A-12	172562	17B-17	172642-R	17C-7
171778-L	17C-20	172013	17C-5	172426	17A-15	172563	17B-17	172643-L	17C-7
171778-R	17C-20	172030	17C-23	172427	17A-7	172565	17B-10	172643-R	17C-7
171779-L	17C-19	172042	17A-10	172428	17A-10	172566	17B-6	172644	17C-8
171779-R	17C-19	172050	17C-24	172429	17C-5	172567	17B-9	172645-L	17C-8
171780-L	17C-20	172051	17C-24	172429-W	17C-5	172568	17B-20	172645-R	17C-8
171780-R	17C-20	172052	17C-24	172430	17A-10	172569	17B-8	172646-L	17C-8
171781-L	17C-19	172056-L	17C-1	172431	17A-16	172573-L	17C-1	172646-R	17C-8
171781-R	17C-19	172056-R	17C-1	172432	17A-13	172573-R	17C-1	172647-L	17C-8
171782-L	17C-21	172057-L	17C-1	172433-L	17A-14	172577	17A-9	172647-R	17C-8
171782-R	17C-21	172057-R	17C-1	172433-R	17A-14	172578	17A-12	172648	17C-8
171786	17C-4	172064	17B-18	172434-B	17A-9	172579	17A-14	172649	17C-8
171809	15A-2	172091	17B-4	172434-W	17A-9	172580	17B-19	172650	17C-12
171810-L	17C-20	172105	17C-23	172435	17A-14	172581	17B-19	172651	17C-9
171810-R	17C-20	172106	17C-23	172436	17A-14	172582	17B-10	172652	17C-9
171811-L	17C-20	172109	17B-5	172437	17A-11	172583	17B-3	172653	17C-9
171811-R	17C-20	172110	17B-6	172438	17A-16	172587-L	17A-7	172654	17C-12
171826	17A-15	172145	17B-17	172439	17A-16	172587-R	17A-7	172655	17C-15
171853	17B-17	172146	17B-17	172440	17A-12	172606-LA	17C-2	172656	17C-9
171857	17C-14	172160	17C-5	172441	17A-8	172606-LB	17C-2	172657	17C-23
171857-AB	17C-14	172162	17C-5	172442	17A-9	172606-RA	17C-2	172658-L	17C-6
171857-C	17C-14	172163	17B-4	172443-B	17A-2	172606-RB	17C-2	172658-R	17C-6
171857-W	17C-14	172166-L	17C-21	172443-W	17A-2	172607-L	17C-11	172659-L	17C-20
171858-L	17C-6	172166-R	17C-21	172470	17B-23	172607-R	17C-11	172659-R	17C-20
171858-R	17C-6	172175	17C-5	172470-100	17B-23	172608	17C-10	172660	17C-3
171859	18A-2	172188	17C-5	172472	17B-8	172609	17C-10	172660-B	17C-3

MASTER INDEX

Part#	Page#	Part#	Page#	Part#	Page#	Part#	Page#	Part#	Page#
172661-L	17C-8	172852	15A-5	18107-6	18-1	181990	18A-1	182901	18-6
172661-R	17C-8	172853-8	17C-15	18107-7	18-1	181995	18A-2	182902	18-6
172663-L	17C-21	172853-10	17C-15	18107-F	18-1	182031	18-7	182902-B	18-6
172663-R	17C-21	172853-12	17C-15	18149	18-2	182032	18-7	182903	18-4
172664-L	17C-21	172855	17C-15	18307	18-4	182033	18-7	182904	18-4
172664-R	17C-21	172907	17A-11	18308	18-5	182034	18-7	182905	18-5
172665-L	17C-22	172908-L	17A-6	18310	18-12	182035	18-7	182906	18-5
172665-R	17C-22	172908-R	17A-6	18312	18-8	182036	18-11	182908	18-2
172666	17B-18	172909	17A-10	18617	18-12	182161	18-7	182930-1	18-1
172669-AL	17C-6	172910	17A-15	18707	18-11	182406	18-11	182930-2	18-1
172669-AR	17C-6	172911	17B-7	18708	18-6	182856	18-4	182930-3	18-1
172669-BL	17C-6	172912	17B-7	18716	18-2	182857	18-4	182930-4	18-1
172669-BR	17C-6	172913	17B-12	18814	18-5	182858	18-4	182930-5	18-1
172669-WL	17C-6	172914	17B-2	18818	18-11	182859	18-6	182930-6	18-1
172669-WR	17C-6	172915	17B-20	18926	18-4	182860	18-6	182930-7	18-1
172670-L	17C-22	172916	17B-2	18934	18-2	182861	18-12	182930-F	18-1
172670-R	17C-22	172917	17B-9	18935	18-2	182862	18-8	182931	18-2
172671	17C-24	172918	17B-2	18954	18-11	182863	18-8	182932-1	18-2
172672-4.5	17C-24	172919	17B-19	18957	18-2	182864	18-8	182932-2	18-2
172672-6	17C-24	172921	17C-5	18978	18-2	182865	18-8	182932-3	18-2
172672-8	17C-24	172922	17C-5	181010	18-4	182866	18-9	182932-5	18-2
172672-10	17C-24	172923	17C-5	181036	18-12	182867	18-9	182932-6	18-2
172672-12	17C-24	172924	17C-5	181041	18A-1	182868	18-1	182932-7	18-2
172672-14	17C-24	172925	17C-5	181043	18A-1	182869	18-6	182933	18-4
172672-16	17C-24	172926	17C-5	181045	18A-2	182870	18-10	182934	18-4
172673-4.5	17C-25	172927	17C-5	181050	18A-1	182871	18-2	182935	18-4
172673-6	17C-25	172928	17C-5	181052	18A-1	182873-1	18-2	182936	18-9
172673-8	17C-25	172929	17C-5	181054	18A-1	182873-2	18-2	182937	18-2
172673-10	17C-25	173232	17A-9	181055	18A-1	182873-3	18-2	182938	18-7
172673-12	17C-25	173234-A	17C-5	181058	18A-1	182873-5	18-2	182939	18-7
172673-14	17C-25	173234-B	17C-5	181059	18A-1	182873-6	18-2	182940	18-7
172673-16	17C-25	173234-C	17C-5	181062	18A-2	182873-7	18-2	182941	18-7
172674	17C-15	173234-D	17C-5	181124	18-7	182875-1	18-2	182942	18-7
172678-R	17C-10	173234-F	17C-5	181125	18-7	182875-2	18-2	182943	18-7
172679-L	17C-10	173234-W	17C-5	181126	18-7	182875-3	18-2	182944	18-7
172681	17C-15	173235	15A-3, 17A-13	181380	18-1	182875-5	18-2	182945	18-7
172682	17C-14	173245	15A-4	181381	18-1	182875-6	18-2	182946	18-7
172683-L	17C-13	173259	15A-3	181382	18-1	182875-7	18-2	182947	18-7
172683-R	17C-13	173265	15A-2	181383	18-1	182876	18-5	182948	18-7
172768	15A-4	173266	15A-2	181384	18-1	182877	18-7	182949	18-7
172769	15A-4	173267	15A-2	181385	18-1	182878	18-7	182950	18-1
172770	15A-11	173304	15A-2	181386	18-1	182879	18-7	182951	18-1
172771	15A-7	173313	15A-3	181387	18-1	182883	18-4	182952	18-1
172772	15A-7	173324	18A-2	181508	18-10	182884	18-12	182953	18-1
172773	15A-7	173339	15A-3	181582	18-9	182885	18-1	182954	18-1
172774	15A-7	173347	15A-1	181589	18-1	182886	18-1	182955	18-1
172775	15A-12	173348	15A-1	181603	18-1	182887	18-1	182956	18-1
172776	15A-3	173449	17B-11	181605	18-1	182888	18-3	182957	18-1
172797	15A-2	173465	15A-2	181669	18-1	182889	18-12	182958	18-1
172798	15A-2	173486	15A-3	181735	18-1	182890	18-12	182959	18-1
172684	17C-13	173500	17A-3	181747	18-1	182891	18-10	182960	18-1
172685	17C-23	1819	18-9	181756	18-5	182892	18-3	182961	18-1
172689	17C-18	1853	18-1	181785	18-3	182893	18-3	182962	18-1
172690	17C-15	1856	18-8	181788	18-7	182894	18-11	182963	18-1
172815	15A-19	1857	18-8	181789	18-7	182895	18-11	182964	18-1
172826	15A-5	1857-N	18-8	181801	18-1	182896	18-2	182965	18-1
172830	15A-1	1863	18-9	181806	18-10	182897-5	18-1	182966	18-1
172834	15A-3	1865	18-8	181807	18-10	182897-6	18-1	182967	18-1
172835	15A-3	1865-1	18-8	181808	18-10	182897-7	18-1	182968	18-1
172839	15A-7	1866	18-9	181822	18A-2	182898-5	18-1	182969	18-2
172840	15A-1	1867	18-2	181873	18-2	182898-6	18-1	182970	18-6
172841	15A-7	1890	18-4	181874	18-3	182898-7	18-1	183009	18A-1
172848	17-10	1891	18-6	181927	18-4	182899-5	18-2	183010	18A-1
172849	17-10	18107-1	18-1	181959	18-3	182899-6	18-2	183011	18A-1
172850	17C-16	18107-2	18-1	181960	18-5	182899-7	18-2	183012	18A-1
172850-B	17C-16	18107-3	18-1	181977	18-11	182900-5	18-1	183013	18A-1
172850-W	17C-16	18107-4	18-1	181983	18-1	182900-6	18-1	183014	18A-1
172851	17C-5	18107-5	18-1	181989	18A-1	182900-7	18-1	183015	18A-2

MASTER INDEX

Part#	Page#	Part#	Page#	Part#	Page#	Part#	Page#	Part#	Page#
183016	18A-1	19822	19-2	193055	19-17	22496	22B-13	221790	22A-1
183017	18A-1	19837	19-2	193056	19-17	22511	22A-12	221889	22B-4
183061	18-8	19839	19-5	193058	19-17	22511-D	22A-12	221904	22B-4
183062	18-8	19859	19-10	193059	19-18	22512	22A-10	221950	22B-11
183063	18-10	19859-100	19-10	193067	19-3	22513	22A-10	222019	22B-2
183064	18-9	191215	19-9	193068	19-15	22514	22A-10	222045	22A-10
183065	18-9	191216	19-12	193069	19-16	22515	22A-10	222046	22A-10
183066	18-11	191219	19-6	193070	19-16	22517	22A-11	222047	22A-11
183233	18-2	191220	19-6	193074	19-14	22525	22A-11	222048	22A-11
183325	18A-2	191231	19-4	193075	19-17	22528	22A-2	222765	22A-12
183326	18A-1	191232	19-13	193076	19-15	22529	22A-7	222766	22A-13
183327	18A-3	191233	19-15	193077	19-18	22530	22A-1	222767	22A-7
183328	18A-3	191239	19-1	193078	19-18	22531	22A-11	223242	22A-1
183329	18A-2	191450	19-10	193079	19-19	22532	22A-2	223243	22A-1
183331	18A-2	191680	19-14	193084	19-9	22533	22A-6	223244	22A-2
183332	18A-2	191681	19-14	193085	19-4	22534-L	22A-4	223246	22A-4
183334	18A-2	191682	19-14	193086	19-15	22534-R	22A-4	223247	22A-4
183335	18A-1	191687	19-4	193087	19-17	22535-L	22A-7	223252	22A-6
183336	18A-1	191767	19-10	193088	19-15	22535-R	22A-7	223253	22A-8
183518-1	18-2	191768	19-4	193090	19-5	22537	22A-5	223260	22A-9
183518-2	18-2	191849	19-12	193091	19-13	22540	22A-13	223261	22B-14
183518-3	18-2	191891	19-3	193122	19-6	22568-L	22A-5	223262	22B-13
183518-5	18-2	191928	19-9	193123	19-18	22568-R	22A-5	223263	22B-13
183518-6	18-2	191961	19-16	193124	19-18	22575	22A-7	223264	22A-1
183518-7	18-2	192037	19-3	193125	19-18	22625	22B-4	223268	22B-8
183519	18A-2	192065	19-1	193126	19-9	22711-4	22A-6	223269	22B-13
183520	18A-2	192066	19-1	193128	19-8	22711-5	22A-6	223270	22B-6
183521	18A-1	192067	19-1	193129	19-8	22711-7	22A-6	223272	22A-10
183522	18A-2	192068	19-1	172587-L	22A-7	22791	22B-14	223273	22B-13
183527	18-10	192722	19-1	172587-R	22A-7	22792	16-33	223274	22B-13
1901	19-1	192723	19-1	22246-L	22A-5	22793	22B-4	223275	22A-9
1901-A	19-1	192724	19-1	22246-R	22A-5	22794	22B-3	223276	22A-9
1901-B	19-1	192725	19-1	22247	22A-3	22795	22B-14	223277	22A-13
1902	19-3	192971	19-14	22248-L	22A-4	22797	22B-11	223278	22A-13
1902-A	19-3	192972	19-14	22248-R	22A-4	22798	22B-10	223285	22B-8
1902-B	19-3	193022	19-8	22250-A	22A-2	22803	22A-13	223296	22B-2
1903	19-3	193023	19-8	22250-B	22A-2	22824	22A-12	223297	22B-2
1903-A	19-3	193024	19-8	22250-C	22A-2	22825	22A-12	223298	22B-2
1903-B	19-2	193025	19-8	22251	22A-1	22826	22A-12	223299	22B-2
1932	19-9	193026	19-13	22252	22A-1	22842	22B-8	223300	22B-2
1932-S	19-9	193027	19-13	22253	22A-1	22843	22B-10	223301	22A-13
1932-20	19-9	193028	19-13	22254	22A-1	22844	22B-7	223303	22B-10
19145	19-8	193029	19-3	22255	22A-1	22946	22A-9	223304	22B-10
19145-20	19-8	193030	19-3	22256	22A-2	22947	22A-9	223305	22B-10
19145-88	19-8	193031	19-3	22315	22B-3	221153	22B-11	223308	22B-9
19200	19-10	193032	19-3	22327	22A-8	221240	22B-11	223309	22B-14
19200-100	19-10	193033	19-5	22328	22A-8	221306	22B-1	223311	22B-9
19306	19-4	193034	19-5	22329	22A-8	221318	22B-12	223312	22B-8
19378	19-13	193035	19-10	22331	22A-3	221328	22A-9	223314	22B-2
19379	19-13	193036	19-8	22333-L	22A-4	221373	22B-7	223315	22B-14
19507	19-1	193037	19-17	22333-R	22A-4	221374	22B-7	223316	22B-14
19508	19-12	193038	19-5	22334	22A-5	221375	22B-5	223317	22B-11
19508-20	19-12	193039	19-7	22335-L	22A-4	221376	22B-5	223319	22B-6
19508-88	19-12	193040	19-7	22335-R	22A-4	221377	22B-1	223321	22B-8
19551	19-13	193041	19-6	22409	22A-9	221377-EB	22B-1	223322	22B-9
19590	19-2	193042	19-9	22410-A	22A-3	221379	22B-7	223323	22B-5
19638	19-6	193043	19-10	22411	22B-14	221392	22B-7	223341	15A-19
19667-20	19-11	193044	19-18	22415	22A-6	221395	22B-11	223342	15A-19
19667-3	19-11	193045	19-18	22415-L	22A-6	221396	22B-9	223343	15A-19
19667-40	19-11	193046	19-18	22415-R	22A-6	221400	22A-3	223344	15A-19
19667-41	19-11	193047	19-18	22457	22A-13	221405	22B-6	223345	15A-19
19672	19-11	193048	19-19	22458	22B-3	221406	22B-9	223346	15A-19
19685	19-11	193049	19-16	22459	22A-11	221519	22B-6	223460	22B-14
19706	19-7	193050	19-14	22485	22B-5	221590	22B-1	223461	22A-7
19712	19-2	193051	19-7	22486	22B-2	221590-EB	22B-1	223463	22A-8
19799	19-12	193052	19-16	22493	22A-6	221651	22A-7		
19799-20	19-12	193053	19-11	22494	22A-6	221694	22B-9	221501	24-7
19799-88	19-12	193054	19-11	22495	22B-3	221787	22A-1	221502	24-7

MASTER INDEX

Part#	Page#	Part#	Page#	Part#	Page#	Part#	Page#	Part#	Page#
223018	24-7	243400	24-2	CCEP-4020	15A-16	CCSC-7169	22B-7	E-2320	DS-26
223019	24-7	243401	24-2	CCEP-4089	15A-17	CCSC-7170	22B-4	E-2321	DS-26
223050	24-10	243402	24-2	CCEP-4090	15A-17	CCSC-7192	22B-3	E-2324	DS-4
241862	24-11	243403	24-2	CCEP-4148	15A-10	CCSC-7195	22B-6	E-2325	DS-4
241938	24-11	243404	24-2	CCEP-4208	15A-18	CCSC-7216	22B-9	EP-3719	17C-27
241939	24-1	243405	24-2	CCEP-4209	15A-18	CCSC-9003	24-7	EP-3740	17C-31
241940	24-1	243406	24-3	CCEP-4227	15A-17	D-1574	13-38	EP-3758	17C-36
241941	24-1	243407	24-3	CCEP-4228	15A-17	D-1575	13-38	EP-3759	17C-36
241942	24-1	243408	24-3	CCEP-4234	15A-17	D-1576	13-38	EP-3785	17C-35
241943	24-3	243409	24-3	CCEP-4235	15A-17	D-1644	13-38	EP-3786	17C-36
241945	24-3	243410	24-3	CCEP-4271	15A-19	D-1645	13-38	EP-3787	17C-37
241946	24-3	243411	24-3	CCEP-4272	15A-19	D-1646	13-38	EP-3788	17C-37
241947	24-11	243412	24-3	CCEP-4273	15A-19	D-1647	13-38	EP-3837	17C-30
241948	24-11	243413	24-2	CCEP-4290	15A-18	D-1648	13-38	EP-3838	17C-30
241965	24-1	243414	24-2	CCEP-4354	15A-8	D-1649	13-38	EP-3897	17C-36
241966	24-3	243415	24-2	CCEP-4411	15A-17	D-1650	13-38	EP-3898	17C-30
242152	24-4	243416	24-2	CCEP-4412	15A-17	D-1651	13-38	EP-3904	17C-30
242153	24-3	243417	24-2	CCEP-4457	DS-14	D-1652	13-38	EP-3917	17C-30
242155	24-4	243418	24-2	CCEP-5529	18-9	D-1654	13-38	EP-3918	17C-30
242156	24-3	243419	24-2	CCEP-5552	18-9	D-1655	13-38	EP-3920	17C-36
242157	24-3	243420	24-2	CCEP-6560	16-30	D-1659	13-38	EP-4269	15A-18
242158	24-1	243421	24-2	CCEP-6563	16-31	D-1660	13-38	EP-4270	15A-18
242159	24-3	243422	24-2	CCEP-6564	16-31	D-1664	13-38	EP-9505	DS-11
242400	24-3	243423	24-2	CCEP-6568	16-21	D-1665	13-38	EP-9506	DS-11
242401	24-5	243426	24-3	CCEP-6698	16-20	D-1669	13-38	EP-9507	DS-11
242402	24-5	243427	24-3	CCEP-6699	16-21	D-1670	13-38	EP-9508	DS-11
243349	24-6	243428	24-3	CCEP-6794	16-21	D-1674	13-38	EP-9520	DS-13
243351	24-7	243430	24-3	CCEP-7020	24-13	D-1675	13-38	EP-9521	DS-13
243352	24-7	243431	24-3	CCEP-7134	22B-12	D-1679	13-38	EP-21080	TH-9
243355	24-2	243432	24-3	CCEP-7135	22B-12	D-1680	13-38	EP-21083	TH-9
243356	24-10	243434	24-11	CCEP-7136	22B-12	D-1718	13-38	EP-21090	TH-9
243357	24-8	243448	24-8	CCEP-7200	22B-12	D-1719	13-38	EP-21094	TH-9
243359	24-7	243450	24-5	CCEP-7201	22B-12	D-1743	13-38	EP-21099	TH-9
243361	24-5	243452	24-4	CCEP-7202	22B-12	D-1744	13-38	EP-21101	TH-9
243362	24-5	243453	24-4	CCEP-7203	22B-12	D-1745	13-38	EP-21105	TH-9
243363	24-1	243454	24-4	CCEP-7204	22B-12	D-1746	13-38	EP-22317	TH-8
243364	24-4	243455	24-4	CCEP-7205	22B-12	E-2232	DS-2	EP-22319	TH-8
243365	24-4	243456	24-4	CCEP-7206	22B-12	E-2233	DS-2	EP-22322	TH-8
243366	24-4	243457	24-4	CCEP-7207	22B-12	E-2234	DS-2	EP-22397	TH-7
243367	24-4	243524	24-4	CCEP-7208	22B-12	E-2235	DS-3	EP-22453	TH-8
243368	24-5	243525	24-4	CCEP-7236	22B-12	E-2236	DS-3	EP-22499	TH-8
243369	24-5	243535	24-10	CCEP-9003	24-7	E-2279	DS-25	EP-22593	TH-7
243370	24-8	CCBP-7503	PL-4	CCEP-9004	24-6	E-2280	DS-25	EP-22825	TH-7
243371	24-5	CCBP-7505	PL-4	CCEP-9140	24-6	E-2281	DS-26	EP-22826	TH-8
243372	24-7	CCBP-7156	22B-2	CCEP-9185	24-6	E-2282	DS-26	EP-23065	TH-9
243373	24-3	CCBP-7157	22B-3	CCEP-9186	24-6	E-2284	DS-2	EP-23066	TH-9
243374	24-7	CCBP-7158	22B-3	CCEP-9941KA	DS-33	E-2291	DS-3	EP-23067	TH-9
243377	24-3	CCBP-7159	22B-3	CCEP-9942KA	DS-33	E-2292	DS-3	EP-23068	TH-9
243378	24-2	CCBP-7160	22B-5	CCEP-9943KA	DS-33	E-2293	DS-25	EP-23088	TH-9
243379	24-2	CCBP-7161	22B-4	CCEP-9944KA	DS-33	E-2294	DS-25	F-2621	17-12
243380	24-1	CCBP-7162	22B-4	CCEP-9945KA	DS-33	E-2295	DS-26	F-2622	17-12
243381	24-1	CCBP-7163	22B-7	CCEP-9946KA	DS-33	E-2296	DS-26	FA-1210	17C-25
243382	24-3	CCBP-7168	22B-4	CCEP-16042	24-14	E-2297	DS-25	FA-1220	17C-25
243383	24-3	CCBP-7169	22B-7	CCEP-16044	24-14	E-2298	DS-3	FA-1230	17C-25
243384	24-8	CCBP-7195	22B-6	CCEP-16046	24-14	E-2299	DS-2	FA-1240	17C-25
243385	24-8	CCBP-7216	22B-9	CCEP-16051	24-14	E-2300	DS-2	FA-1310	17C-25
243388	24-1	CCEP-3546	17C-16	CCEP-16053	24-14	E-2301	DS-2	FA-1320	17C-25
243389	24-1	CCEP-3547	17C-16	CCSC-7155	22B-10	E-2302	DS-3	FA-1330	17C-25
243390	24-3	CCEP-3548	17C-16	CCSC-7156	22B-2	E-2303	DS-3	FA-1340	17C-25
243391	24-2	CCEP-3549	17C-16	CCSC-7157	22B-3	E-2304	DS-3	FA-1410	17C-25
243392	24-2	CCEP-3550	17C-16	CCSC-7158	22B-3	E-2305	DS-2	FA-1420	17C-25
243393	24-1	CCEP-3551	17C-16	CCSC-7159	22B-3	E-2307	DS-2	FA-1430	17C-25
243394	24-1	CCEP-3557	17C-17	CCSC-7160	22B-5	E-2308	DS-2	FA-1440	17C-25
243395	24-1	CCEP-3818	17C-16	CCSC-7161	22B-4	E-2309	DS-2	FA-1510	17C-25
243396	24-1	CCEP-4002	15A-8	CCSC-7162	22B-4	E-2311	DS-25	FA-1520	17C-25
243397	24-2	CCEP-4003	15A-8	CCSC-7163	22B-7	E-2317	DS-26	FA-1530	17C-25
243398	24-2	CCEP-4011	15A-10	CCSC-7167	22B-10	E-2318	DS-26	FA-1540	17C-25
243399	24-2	CCEP-4016	15A-12	CCSC-7168	22B-4	E-2319	DS-25	FA-1610	17C-25

MASTER INDEX

Part#	Page#	Part#	Page#	Part#	Page#	Part#	Page#	Part#	Page#
FA-1620	17C-25	FA-3320	17C-26	FH-2120	17C-32	FJ-3420	17C-33	FR-2720-340	17C-34
FA-1630	17C-25	FA-3330	17C-26	FH-2130	17C-32	FJ-3520	17C-33	FR-2720-341	17C-34
FA-1640	17C-25	FA-3340	17C-26	FH-2220	17C-32	FJ-3620	17C-33	FR-2720-342	17C-34
FA-1710	17C-25	FA-3410	17C-26	FH-2230	17C-32	FJ-3720	17C-33	FR-2720-343	17C-34
FA-1720	17C-25	FA-3420	17C-26	FH-2320	17C-32	FJ-3820	17C-33	FR-2820-340	17C-34
FA-1730	17C-25	FA-3430	17C-26	FH-2330	17C-32	FJ-3920	17C-33	FR-2820-341	17C-34
FA-1740	17C-25	FA-3440	17C-26	FH-2420	17C-32	FL-1820	17C-33	FR-2820-342	17C-34
FA-1810	17C-25	FA-3510	17C-26	FH-2430	17C-32	FL-1920	17C-33	FR-2820-343	17C-34
FA-1820	17C-25	FA-3520	17C-26	FH-2520	17C-32	FL-2020	17C-33	FR-2920-340	17C-34
FA-1830	17C-25	FA-3530	17C-26	FH-2530	17C-32	FL-2120	17C-33	FR-2920-341	17C-34
FA-1840	17C-25	FA-3540	17C-26	FH-2620	17C-32	FL-2220	17C-33	FR-2920-342	17C-34
FA-1910	17C-25	FA-3610	17C-26	FH-2630	17C-32	FL-2320	17C-33	FR-2920-343	17C-34
FA-1920	17C-25	FA-3620	17C-26	FH-2720	17C-32	FL-2420	17C-33	FR-3020-340	17C-34
FA-1930	17C-25	FA-3630	17C-26	FH-2730	17C-32	FL-2520	17C-33	FR-3020-341	17C-34
FA-1940	17C-25	FA-3640	17C-26	FH-2820	17C-32	FL-2620	17C-33	FR-3020-342	17C-34
FA-2010	17C-25	FA-3710	17C-26	FH-2830	17C-32	FL-2720	17C-33	FR-3020-343	17C-34
FA-2020	17C-25	FA-3720	17C-26	FH-2920	17C-32	FL-2820	17C-33	FS-100**	17C-28
FA-2030	17C-25	FA-3730	17C-26	FH-2930	17C-32	FL-2920	17C-33	FS-101**	17C-29
FA-2040	17C-25	FA-3740	17C-26	FH-3020	17C-32	FL-3020	17C-33	FS-102**	17C-29
FA-2110	17C-25	FA-3810	17C-26	FH-3030	17C-32	FM-1820	17C-34	FS-103**	17C-29
FA-2120	17C-25	FA-3820	17C-26	FH-3120	17C-32	FM-1920	17C-34	FS-150**	17C-28
FA-2130	17C-25	FA-3830	17C-26	FH-3130	17C-32	FM-2020	17C-34	FS-151**	17C-28
FA-2140	17C-25	FA-3840	17C-26	FH-3220	17C-32	FM-2120	17C-34	FS-152**	17C-29
FA-2210	17C-26	FA-3910	17C-26	FH-3230	17C-32	FM-2220	17C-34	FS-153**	17C-29
FA-2220	17C-26	FA-3920	17C-26	FH-3320	17C-32	FM-2320	17C-34	FS-154**	17C-29
FA-2230	17C-26	FA-3930	17C-26	FH-3420	17C-32	FM-2420	17C-34	FS-100PB	17C-28
FA-2240	17C-26	FA-3940	17C-26	FH-3520	17C-32	FM-2520	17C-34	FS-101PB	17C-29
FA-2310	17C-26	FA-4010	17C-26	FH-3620	17C-32	FM-2620	17C-34	FS-102PB	17C-29
FA-2320	17C-26	FA-4020	17C-26	FH-3720	17C-32	FM-2720	17C-34	FS-103PB	17C-29
FA-2330	17C-26	FA-4030	17C-26	FH-3820	17C-32	FM-2820	17C-34	FS-150PB	17C-28
FA-2340	17C-26	FA-4040	17C-26	FH-3920	17C-32	FM-2920	17C-34	FS-151PB	17C-28
FA-2410	17C-26	FA-4110	17C-26	FJ-1520	17C-33	FM-3020	17C-34	FS-152PB	17C-28
FA-2420	17C-26	FA-4120	17C-26	FJ-1530	17C-33	FR-1820-340	17C-34	FS-153PB	17C-29
FA-2430	17C-26	FA-4130	17C-26	FJ-1620	17C-33	FR-1820-341	17C-34	FS-154PB	17C-28
FA-2440	17C-26	FA-4140	17C-26	FJ-1630	17C-33	FR-1820-342	17C-34	FS-250B	17C-31
FA-2510	17C-26	FA-4210	17C-26	FJ-1720	17C-33	FR-1820-343	17C-34	FS-253B	17C-31
FA-2520	17C-26	FA-4220	17C-26	FJ-1730	17C-33	FR-1920-340	17C-34	FS-260B	17C-31
FA-2530	17C-26	FA-4230	17C-26	FJ-1820	17C-33	FR-1920-341	17C-34	FS-261B	17C-31
FA-2540	17C-26	FA-4240	17C-26	FJ-1830	17C-33	FR-1920-342	17C-34	FS-290B	17C-28
FA-2610	17C-26	FC-111	17C-26	FJ-1920	17C-33	FR-1920-343	17C-34	FS-291B	17C-28
FA-2620	17C-26	FC-112	17C-26	FJ-1930	17C-33	FR-2020-340	17C-34	FS-292B	17C-28
FA-2630	17C-26	FC-121	17C-26	FJ-2020	17C-33	FR-2020-341	17C-34	FS-293B	17C-29
FA-2640	17C-26	FC-122	17C-26	FJ-2030	17C-33	FR-2020-342	17C-34	FS-294B	17C-29
FA-2710	17C-26	FC-151	17C-26	FJ-2120	17C-33	FR-2020-343	17C-34	FS-295B	17C-29
FA-2720	17C-26	FC-152	17C-26	FJ-2130	17C-33	FR-2120-340	17C-34	FS-340**	17C-35
FA-2730	17C-26	FC-153	17C-26	FJ-2220	17C-33	FR-2120-341	17C-34	FS-341**	17C-35
FA-2740	17C-26	FC-162	17C-26	FJ-2230	17C-33	FR-2120-342	17C-34	FS-342**	17C-35
FA-2810	17C-26	FC-163	17C-26	FJ-2320	17C-33	FR-2120-343	17C-34	FS-343**	17C-35
FA-2820	17C-26	FC-183	17C-26	FJ-2330	17C-33	FR-2220-340	17C-34	G-3078A	17B-23
FA-2830	17C-26	FH-1510	17C-32	FJ-2420	17C-33	FR-2220-341	17C-34	G-3078B	17B-23
FA-2840	17C-26	FH-1520	17C-32	FJ-2430	17C-33	FR-2220-342	17C-34	G-3078C	17B-23
FA-2910	17C-26	FH-1530	17C-32	FJ-2520	17C-33	FR-2220-343	17C-34	G-3078D	17B-23
FA-2920	17C-26	FH-1610	17C-32	FJ-2530	17C-33	FR-2320-340	17C-34	GD-12125	GD-16
FA-2930	17C-26	FH-1620	17C-32	FJ-2620	17C-33	FR-2320-341	17C-34	GD-12126	GD-16
FA-2940	17C-26	FH-1630	17C-32	FJ-2630	17C-33	FR-2320-342	17C-34	GD-12127	GD-16
FA-3010	17C-26	FH-1710	17C-32	FJ-2720	17C-33	FR-2320-343	17C-34	GD-12128	GD-16
FA-3020	17C-26	FH-1720	17C-32	FJ-2730	17C-33	FR-2420-340	17C-34	GD-12136	GD-17
FA-3030	17C-26	FH-1730	17C-32	FJ-2820	17C-33	FR-2420-341	17C-34	GD-12146	GD-14
FA-3040	17C-26	FH-1810	17C-32	FJ-2830	17C-33	FR-2420-342	17C-34	GD-12149	GD-2
FA-3110	17C-26	FH-1820	17C-32	FJ-2920	17C-33	FR-2420-343	17C-34	GD-12150	GD-2
FA-3120	17C-26	FH-1830	17C-32	FJ-2930	17C-33	FR-2520-340	17C-34	GD-12151	GD-2
FA-3130	17C-26	FH-1910	17C-32	FJ-3020	17C-33	FR-2520-341	17C-34	GD-12152	GD-2
FA-3140	17C-26	FH-1920	17C-32	FJ-3030	17C-33	FR-2520-342	17C-34	GD-12153	GD-2
FA-3210	17C-26	FH-1930	17C-32	FJ-3120	17C-33	FR-2520-343	17C-34	GD-12154	GD-2
FA-3220	17C-26	FH-2010	17C-32	FJ-3130	17C-33	FR-2620-340	17C-34	GD-12155	GD-3
FA-3230	17C-26	FH-2020	17C-32	FJ-3220	17C-33	FR-2620-341	17C-34	GD-12156	GD-3
FA-3240	17C-26	FH-2030	17C-32	FJ-3230	17C-33	FR-2620-342	17C-34	GD-12157	GD-3
FA-3310	17C-26	FH-2110	17C-32	FJ-3320	17C-33	FR-2620-343	17C-34	GD-12158	GD-4

MASTER INDEX

Part#	Page#	Part#	Page#	Part#	Page#	Part#	Page#	Part#	Page#
GD-12159	GD-4	GD-52107	GD-6	GD-52243	GD-6	J-4539	J-9	J-4640	J-12
GD-12160	GD-4	GD-52108	GD-4	GD-52244	GD-6	J-4540	J-8	J-4641	J-12
GD-12170	GD-2	GD-52109	GD-4	GD-52245	GD-6	J-4542	J-8	J-4643	J-12
GD-12171	GD-3	GD-52110	GD-4	GD-52262	GD-1	J-4543	J-9	J-4647	J-9
GD-12172	GD-2	GD-52111	GD-5	GD-52263	GD-2	J-4544	J-6	J-4648	J-9
GD-12173	GD-3	GD-52112	GD-4	GD-52264	GD-12	J-4545	J-6	J-4649	J-9
GD-12174	GD-2	GD-52113	GD-4	GD-52265	GD-15	J-4547	J-7	J-4650	J-9
GD-12175	GD-3	GD-52114	GD-4	GD-52287	GD-14	J-4550	J-9	J-4652	J-7
GD-12176	GD-2	GD-52115	GD-8	GD-52288	GD-15	J-4551	J-10	J-4653	J-7
GD-12177	GD-3	GD-52116	GD-8	H-3680	17C-2	J-4552	J-10	J-4654	J-7
GD-12178	GD-2	GD-52117	GD-7	H-3687	17C-2	J-4554	J-6	J-4657	J-13
GD-12179	GD-3	GD-52118	GD-10	H-3688	17C-2	J-4555	J-6	J-4658	J-13
GD-12180	GD-2	GD-52119	GD-11	H-3706	17C-28	J-4556	J-10	J-4659	J-13
GD-12181	GD-3	GD-52120	GD-11	H-3719	17C-27	J-4557	J-10	J-4660	J-13
GD-12191	GD-13	GD-52121	GD-9	H-3754	17C-27	J-4558	J-2	J-4668	J-12
GD-12192	GD-13	GD-52122	GD-8	H-3755	17C-29	J-4559	J-2	J-4681	J-11
GD-12193	GD-13	GD-52123	GD-9	H-3756	17C-29	J-4560	J-4	J-4686	J-13
GD-12194	GD-13	GD-52124	GD-10	H-3757	17C-29	J-4561	J-4	J-4700	J-6
GD-12195	GD-13	GD-52129	GD-15	H-3758	17C-36	J-4562	J-4	J-4701	J-6
GD-12202	GD-13	GD-52130	GD-15	H-3759	17C-36	J-4563	J-4	J-4702	J-13
GD-12205	GD-13	GD-52137	GD-10	H-3785	17C-35	J-4564	J-3	J-4703	J-13
GD-12207	GD-13	GD-52138	GD-10	H-3786	17C-36	J-4565	J-3	J-4704	J-13
GD-12209	GD-17	GD-52139	GD-12	H-3837	17C-30	J-4566	J-9	J-4705	J-8
GD-12210	GD-16	GD-52140	GD-5	H-3838	17C-30	J-4567	J-4	J-4706	J-11
GD-12222	GD-15	GD-52142	GD-12	H-3897	17C-36	J-4568	J-4	J-4707	J-11
GD-12223	GD-15	GD-52143	GD-12	H-3898	17C-30	J-4570	J-9	J-4708	J-13
GD-12224	GD-14	GD-52144	GD-8	H-3904	17C-30	J-4571	J-10	J-4713	J-8
GD-12225	GD-14	GD-52145	GD-11	H-3917	17C-30	J-4572	J-10	J-4724	J-9
GD-12226	GD-14	GD-52147	GD-9	H-3918	17C-30	J-4573	J-6	J-4728	J-12
GD-12227	GD-14	GD-52148	GD-9	H-3920	17C-36	J-4574	J-2	J-4770	J-9
GD-12228	GD-14	GD-52161	GD-1	H-3929	17C-28	J-4575	J-2	J-4771	J-8
GD-12229	GD-14	GD-52162	GD-7	H-3930	17C-28	J-4576	J-5	J-4772	J-8
GD-12230	GD-14	GD-52163	GD-7	J-4500	J-1	J-4577	J-5	J-4773	J-8
GD-12231	GD-14	GD-52164	GD-7	J-4501	J-1	J-4578	J-12	J-4774	J-8
GD-12232	GD-14	GD-52165	GD-7	J-4502	J-1	J-4579	J-12	J-4775	J-8
GD-12233	GD-14	GD-52166	GD-11	J-4503	J-1	J-4580	J-13	J-4776	J-8
GD-12234	GD-14	GD-52167	GD-6	J-4504	J-1	J-4581	J-13	J-4777	J-8
GD-12235	GD-14	GD-52168	GD-5	J-4505	J-1	J-4592	J-6	J-4778	J-8
GD-12246	GD-4	GD-52169	GD-9	J-4507	J-1	J-4593	J-6	J-4779	J-8
GD-12247	GD-4	GD-52183	GD-1	J-4509	J-1	J-4594	J-10	J-4780	J-13
GD-12248	GD-4	GD-52185	GD-6	J-4510	J-5	J-4595	J-10	J-4781	J-13
GD-12249	GD-4	GD-52186	GD-6	J-4511	J-5	J-4596	J-7	K-5000	K-1
GD-12251	GD-3	GD-52187	GD-6	J-4512	J-3	J-4597	J-7	K-5001	K-1
GD-12252	GD-3	GD-52188	GD-6	J-4513	J-3	J-4598	J-8	K-5002	K-1
GD-12253	GD-3	GD-52189	GD-4	J-4514	J-3	J-4599	J-8	K-5003	K-7
GD-12254	GD-3	GD-52190	GD-4	J-4515	J-3	J-4600	J-7	K-5004	K-7
GD-12255	GD-14	GD-52196	GD-7	J-4516	J-2	J-4601	J-7	K-5005	K-7
GD-12256	GD-2	GD-52197	GD-8	J-4517	J-2	J-4602	J-7	K-5006	K-2
GD-12257	GD-2	GD-52198	GD-14	J-4518	J-2	J-4603	J-7	K-5007	K-2
GD-12258	GD-2	GD-52199	GD-12	J-4519	J-3	J-4609	J-11	K-5008	K-2
GD-12259	GD-2	GD-52200	GD-8	J-4520	J-3	J-4610	J-11	K-5009	K-7
GD-12267	GD-13	GD-52201	GD-9	J-4522	J-5	J-4611	J-11	K-5010	K-7
GD-12270	GD-14	GD-52203	GD-5	J-4523	J-9	J-4612	J-11	K-5011	K-7
GD-12273	GD-16	GD-52211	GD-5	J-4524	J-1	J-4613	J-10	K-5012	K-3
GD-12274	GD-16	GD-52212	GD-5	J-4525	J-1	J-4614	J-7	K-5013	K-7
GD-12275	GD-16	GD-52213	GD-8	J-4526	J-2	J-4615	J-6	K-5014	K-7
GD-12276	GD-16	GD-52214	GD-9	J-4527	J-2	J-4616	J-13	K-5015	K-7
GD-12277	GD-13	GD-52215	GD-3	J-4528	J-5	J-4617	J-13	K-5016	K-7
GD-12278	GD-13	GD-52216	GD-3	J-4529	J-5	J-4618	J-13	K-5019	K-9
GD-12279	GD-13	GD-52217	GD-15	J-4530	J-4	J-4619	J-13	K-5021	K-5
GD-12280	GD-17	GD-52218	GD-7	J-4531	J-4	J-4620	J-13	K-5022	K-6
GD-52100	GD-1	GD-52219	GD-10	J-4532	J-2	J-4621	J-13	K-5023	K-6
GD-52101	GD-1	GD-52220	GD-8	J-4533	J-9	J-4622	J-13	K-5024	K-6
GD-52102	GD-1	GD-52238	GD-15	J-4534	J-5	J-4623	J-13	K-5025	K-8
GD-52103	GD-15	GD-52239	GD-5	J-4535	J-4	J-4626	J-13	K-5026	K-10
GD-52104	GD-6	GD-52240	GD-1	J-4536	J-4	J-4630	J-13	K-5027	K-12
GD-52105	GD-6	GD-52241	GD-11	J-4537	J-9	J-4631	J-13	K-5028	K-12
GD-52106	GD-6	GD-52242	GD-6	J-4538	J-9	J-4638	J-13	K-5029	K-12

MASTER INDEX

Part#	Page#	Part#	Page#	Part#	Page#	Part#	Page#	Part#	Page#
K-5030	K-13	K-5116	K-2	P-7505	PL-4	PH-17008	PH-3	PL-7731	PL-7
K-5031	K-13	K-5117	K-7	P-7506	PL-4	PH-17009	PH-3	PL-7732	PL-7
K-5032	K-14	K-5118	K-12	P-7508	PL-4	PH-17015	PH-1	PL-7733	PL-7
K-5033	K-14	K-5119	K-12	P-7510	PL-5	PH-17016	PH-1	PL-7734	PL-7
K-5034	K-14	K-5120	K-13	P-7511	PL-5	PH-17017	PH-1	PL-7735	PL-7
K-5035	K-9	K-5121	K-1	P-7515	PL-5	PH-17018	PH-1	PL-7736	PL-7
K-5036	K-9	K-5125	K-3	P-7516	PL-6	PH-17019	PH-1	PL-7737	PL-7
K-5037	K-8	K-5129	K-15	P-7517	PL-6	PH-17020	PH-1	PL-7738	PL-7
K-5038	K-10	K-5130	K-5	P-7518	PL-6	PH-17021	PH-1	PL-7739	PL-7
K-5039	K-10	K-5131	K-11	P-7519	PL-6	PH-17022	PH-1	PL-7740	PL-7
K-5043	K-11	K-5132	K-11	P-7520	PL-6	PH-17023	PH-2	PL-7741	PL-7
K-5044	K-11	K-5133	K-8	P-7521	PL-6	PH-17024	PH-2	PL-7742	PL-7
K-5045	K-10	K-5134	K-8	P-7522	PL-6	PH-17025	PH-2	PL-7743	PL-7
K-5050	K-8	K-5135	K-8	P-7523	PL-6	PH-17026	PH-2	PL-7744	PL-10
K-5051	K-9	K-5136	K-8	P-7524	PL-6	PH-17027	PH-2	PL-7745	PL-10
K-5052	K-3	K-5137	K-10	P-7525	PL-6	PH-17028	PH-3	PL-7746	PL-10
K-5053	K-4	K-5140	K-2	P-7526	PL-6	PH-17029	PH-3	PL-7747	PL-10
K-5054	K-9	K-5141	K-10	P-7527	PL-6	PH-17030	PH-3	PL-7748	PL-10
K-5056	K-4	K-5142	K-11	P-7528	PL-6	PH-17031	PH-4	PL-7749	PL-8
K-5057	K-4	K-5143	K-15	P-7529	PL-6	PH-17032	PH-4	PL-7750	PL-10
K-5058	K-13	K-5144	K-9	P-7530	PL-6	PH-17033	PH-4	PL-7751	PL-10
K-5059	K-13	K-5145	K-2	P-7531	PL-6	PH-17034	PH-4	PL-7752	PL-10
K-5061	K-5	K-5148	K-6	P-7532	PL-6	PH-17035	PH-4	PL-7753	PL-11
K-5062	K-5	K-5149	K-1	P-7533	PL-6	PH-17036	PH-5	PL-7754	PL-11
K-5063	K-4	K-5150	K-1	P-7540	PL-5	PH-17037	PH-5	PL-7755	PL-11
K-5064	K-4	K-5151	K-1	P-7541	PL-5	PH-17038	PH-5	PL-7756	PL-11
K-5066	K-5	K-5158	K-12	P-7542	PL-5	PH-17039	PH-5	PL-7758	PL-13
K-5067	K-12	K-5159	K-10	P-7548	PL-5	PH-17040	PH-6	PL-7759	PL-13
K-5070	K-2	K-5169	K-6	P-7549	PL-5	PH-17041	PH-6	PL-7760	PL-12
K-5071	K-2	K-5170	K-1	P-7616	PL-6	PH-17042	PH-6	PL-7761	PL-12
K-5072	K-13	K-5171	K-2	P-7617	PL-6	PH-17043	PH-6	PL-7762	PL-12
K-5073	K-12	K-5172	K-12	P-7618	PL-6	PH-17044	PH-5	PL-7765	PL-11
K-5074	K-12	K-5173	K-12	P-7619	PL-6	PH-17045	PH-7	PL-7766	PL-12
K-5075	K-15	K-5174	K-13	P-7627	PL-7	PH-17046	PH-7	PL-7768	PL-12
K-5076	K-12	N-6787	16-56	P-7630	PL-6	PH-17047	PH-7	PL-7770	PL-7
K-5077	K-1	N-6788	16-55	P-7631	PL-6	PH-17048	PH-7	PL-7771	PL-7
K-5078	K-1	N-6789	16-55	P-7632	PL-6	PH-17049	PH-7	PL-7772	PL-7
K-5079	K-3	N-6862	16-56	P-7633	PL-6	PH-17050	PH-8	PL-7773	PL-7
K-5080	K-3	N-6863	16-56	P-7634	PL-6	PH-17051	PH-8	PL-7774	PL-7
K-5081	K-1	N-6864	16-56	P-7635	PL-6	PH-17052	PH-8	PL-7775	PL-7
K-5082	K-2	N-6866	16-55	P-7636	PL-6	PH-17053	PH-8	PL-7776	PL-13
K-5083	K-15	N-6916	16-56	P-7637	PL-6	PH-17054	PH-8	PL-7777	PL-9
K-5084	K-15	N-6918	16-56	P-7638	PL-6	PH-17055	PH-8	PL-7788	PL-7
K-5089	K-2	N-6922	16-55	P-7639	PL-6	PH-17056	PH-8	PL-7790	PL-7
K-5090	K-2	N-6928	16-56	P-7640	PL-6	PH-17057	PH-8	PL-7800	PL-2
K-5091	K-4	N-7016	24-13	P-7641	PL-6	PH-17058	PH-8	PL-7801	PL-2
K-5092	K-4	N-7017	24-13	P-7642	PL-6	PH-17059	PH-8	PL-7802	PL-2
K-5093	K-11	N-7018	24-13	P-7643	PL-6	PH-17061	PH-8	PL-7803	PL-2
K-5094	K-14	N-7019	24-13	P-7644	PL-6	PH-17062	PH-6	PL-7804	PL-2
K-5095	K-14	N-7038	16-55	P-7645	PL-6	PH-17063	PH-9	PL-7805	PL-2
K-5096	K-8	N-7039	16-55	P-7646	PL-6	PH-17064	PH-9	PL-7806	PL-2
K-5097	K-8	N-7040	16-55	P-7647	PL-6	PH-17107	PH-9	PL-7807	PL-2
K-5098	K-8	N-7041	16-55	P-7921	PL-17	PH-17108	PH-9	PL-7808	PL-2
K-5099	K-6	N-7051	16-55	P-7940	PL-6	PH-17109	PH-9	PL-7809	PL-2
K-5100	K-7	N-7052	16-55	P-7941	PL-6	PH-17110	PH-9	PL-7810	PL-2
K-5101	K-3	N-7053	16-55	P-7950	PL-6	PL-7718	PL-3	PL-7811	PL-2
K-5102	K-4	N-7054	16-55	P-7951	PL-6	PL-7719	PL-3	PL-7812	PL-2
K-5103	K-12	N-7055	16-56	P-7960	PL-6	PL-7720	PL-3	PL-7813	PL-2
K-5104	K-12	N-7056	16-56	P-7961	PL-6	PL-7721	PL-3	PL-7814	PL-2
K-5105	K-5	N-7057	16-56	P-7970	PL-6	PL-7722	PL-3	PL-7815	PL-2
K-5106	K-5	N-7058	16-56	P-7971	PL-6	PL-7723	PL-3	PL-7816	PL-2
K-5107	K-2	N-7063	16-56	P-7980	PL-6	PL-7724	PL-3	PL-7817	PL-2
K-5108	K-13	N-7082	16-55	P-7981	PL-6	PL-7725	PL-3	PL-7818	PL-2
K-5109	K-13	N-7099	16-22	P-8093	PL-5	PL-7726	PL-3	PL-7819	PL-2
K-5110	K-14	N-7100	16-22	P-8095	PL-5	PL-7727	PL-3	PL-7820	PL-2
K-5111	K-14	N-7101	16-22	P-8096	PL-5	PL-7728	PL-3	PL-7821	PL-2
K-5112	K-14	P-7501	PL-4	P-8098	PL-5	PL-7729	PL-3	PL-7822	PL-2
K-5113	K-14	P-7503	PL-4	PH-17003	PH-7	PL-7730	PL-7	PL-7823	PL-2

MASTER INDEX

Part#	Page#	Part#	Page#	Part#	Page#	Part#	Page#	Part#	Page#
PL-7836	PL-2	PL-7942	PL-14	PL-15517	PL-17	S-4252	24-12	SP 9610	SP-2
PL-7837	PL-2	PL-7943	PL-15	R-7171	22A-14	S-4280	24-12	SP 9611	SP-2
PL-7838	PL-2	PL-7944	PL-15	R-7198	22A-14	S-4281	24-12	SP 9612	SP-2
PL-7839	PL-2	PL-7945	PL-15	R-7199	22A-14	S-4282	24-12	SP 9613	SP-2
PL-7840	PL-2	PL-7946	PL-15	R-7262	22A-8	S-4283	24-12	SP 9614	SP-2
PL-7841	PL-2	PL-7947	PL-14	S-4013	15A-11	S-4284	24-12	SP 9615	SP-2
PL-7842	PL-7	PL-7948	PL-14	S-4106	24-12	S-4285	24-12	SP 9616	SP-2
PL-7843	PL-7	PL-7949	PL-14	S-4107	24-12	S-4286	24-12	SP 9617	SP-2
PL-7844	PL-7	PL-7950	PL-14	S-4108	24-12	S-4287	24-12	SP 9618	SP-2
PL-7845	PL-12	PL-7951	PL-14	S-4109	24-12	S-4288	24-12	SP 9619	SP-2
PL-7846	PL-12	PL-7952	PL-14	S-4110	24-12	S-4289	24-12	SP 9620	SP-2
PL-7847	PL-12	PL-7953	PL-14	S-4111	24-12	S-4291	24-12	SP 9621	SP-2
PL-7849	PL-12	PL-7954	PL-14	S-4112	24-12	S-4292	24-12	SP 9622	SP-2
PL-7856	PL-2	PL-7955	PL-14	S-4113	24-12	S-4293	24-12	SP 9623	SP-2
PL-7857	PL-2	PL-7956	PL-14	S-4114	24-12	S-4294	24-12	SP 9624	SP-2
PL-7858	PL-2	PL-7957	PL-14	S-4115	24-12	S-4295	24-12	SP 9625	SP-2
PL-7871	PL-3	PL-7958	PL-14	S-4116	24-12	S-4296	24-12	SP 9626	SP-2
PL-7873	PL-3	PL-7959	PL-14	S-4117	24-12	S-4297	DS-31, 15A-21	SP 9627	SP-2
PL-7877	PL-7	PL-7960	PL-14	S-4118	24-12	S-4299	DS-31, 15A-21	SP 9628	SP-2
PL-7878	PL-7	PL-7961	PL-14	S-4119	24-12	S-4300	15A-22	SP 9629	SP-2
PL-7879	PL-7	PL-7962	PL-14	S-4037	15A-1	S-4301	15A-22	SP 9630	SP-2
PL-7880	PL-7	PL-7963	PL-14	S-4048	DS-31, 15A-20	S-4302	15A-22	SP 9631	SP-2
PL-7881	PL-7	PL-7964	PL-15	S-4049	15A-20	S-4303	15A-22	SP 9632	SP-2
PL-7882	PL-7	PL-7965	PL-15	S-4051	15A-20	S-4328	15A-1	SP 9633	SP-2
PL-7883	PL-7	PL-7966	PL-15	S-4053	15A-20	S-4329	15A-1	SP 9634	SP-2
PL-7884	PL-7	PL-7967	PL-8	S-4054	DS-31, 15A-20	S-4333	15A-23	SP 9635	SP-2
PL-7885	PL-7	PL-7968	PL-14	S-4055	15A-20	S-4334	15A-1	SP 9636	SP-2
PL-7886	PL-7	PL-7970	PL-9	S-4075	15A-1	S-4335	15A-1	SP 9637	SP-2
PL-7887	PL-7	PL-7971	PL-9	S-4086	DS-31, 15A-20	S-4337	15A-11	SP 9638	SP-2
PL-7888	PL-7	PL-7972	PL-9	S-4091	15A-23	S-4338	15A-11	SP 9639	SP-2
PL-7889	PL-7	PL-7976	PL-16	S-4092	15A-23	S-4339	15A-11	SP 9640	K-15, SP-3
PL-7890	PL-7	PL-7977	PL-16	S-4093	15A-23	S-4367	15A-1	SP 9641	K-15, SP-3
PL-7891	PL-7	PL-7978	PL-16	S-4094	15A-23	S-4396	15A-22	SP 9642	K-15, SP-3
PL-7893	PL-7	PL-7979	PL-16	S-4095	15A-23	S-4437	DS-28	SP 9643	K-15, SP-3
PL-7894	PL-7	PL-7980	PL-16	S-4125	DS-31, 15A-21	S-4438	DS-28	SP 9644	K-15, SP-3
PL-7896	PL-7	PL-7981	PL-16	S-4126	DS-31, 15A-21	S-4439	DS-29	SP 9645	SP-2
PL-7897	PL-7	PL-7982	PL-16	S-4127	DS-31, 15A-21	S-4440	DS-28	SP 9700	SP-2
PL-7899	PL-7	PL-7983	PL-16	S-4128	DS-31, 15A-21	S-4441	DS-29	SP 9701	SP-2
PL-7900	PL-7	PL-7984	PL-16	S-4129	DS-31, 15A-21	S-4442	DS-28	SP 9702	SP-2
PL-7901	PL-7	PL-7985	PL-9	S-4130	DS-31, 15A-21	S-4443	DS-30	SP 9703	SP-2
PL-7902	PL-7	PL-7986	PL-9	S-4131	DS-31, 15A-21	S-4444	DS-29	SP 9704	SP-2
PL-7903	PL-7	PL-7987	PL-12	S-4132	DS-31, 15A-21	S-4445	DS-30	SP 9705	SP-2
PL-7904	PL-7	PL-7988	PL-16	S-4133	DS-31, 15A-21	S-4446	DS-30	SP 9706	SP-2
PL-7905	PL-7	PL-7989	PL-16	S-4134	DS-31, 15A-21	S-4447	DS-30	SP 9707	SP-2
PL-7906	PL-7	PL-8006	PL-13	S-4136	DS-31, 15A-21	S-4448	DS-29	SP 9708	SP-2
PL-7907	PL-7	PL-8007	PL-13	S-4137	DS-31, 15A-21	S-4460	DS-30	SP 9709	SP-2
PL-7908	PL-7	PL-8009	PL-8	S-4138	DS-31, 15A-21	S-4461	DS-30	SP 9710	SP-2
PL-7909	PL-7	PL-8028	PL-9	S-4139	15A-22	S-4462	DS-28	SP 9711	SP-2
PL-7910	PL-7	PL-8029	PL-9	S-4140	15A-22	S-4470	15A-1	SP 9712	SP-2
PL-7911	PL-7	PL-8030	PL-9	S-4154	15A-11	S-4492	15A-1	SP 9713	SP-2
PL-7912	PL-7	PL-8031	PL-9	S-4180	15A-18	S-4493	15A-1	T-8658	18A-3
PL-7913	PL-7	PL-8035	PL-11	S-4198	15A-1	S-4494	15A-1	T-8659	18A-3
PL-7914	PL-7	PL-8036	PL-2	S-4212	15A-15	S-4495	15A-1	T-8680	18A-3
PL-7915	PL-7	PL-8037	PL-2	S-4213	15A-15	S-4496	15A-1	T-8681	18A-3
PL-7916	PL-7	PL-8038	PL-2	S-4214	15A-15	S-4497	15A-1	TH-21896	TH-3
PL-7917	PL-7	PL-8039	PL-2	S-4215	15A-15	S-4499	DS-31, 15A-21	TH-21928	TH-4
PL-7918	PL-7	PL-8040	PL-2	S-4220	15A-11	S-4511	15A-15	TH-21931	TH-4
PL-7919	PL-8	PL-8041	PL-2	S-4221	15A-11	S-4512	15A-15	TH-21932	TH-4
PL-7920	PL-8	PL-8042	PL-2	S-4222	15A-11	SP 9600	SP-2	TH-21937	TH-4
PL-7921	PL-11	PL-8043	PL-2	S-4223	15A-11	SP 9601	SP-2	TH-21986	TH-4
PL-7922	PL-13	PL-8044	PL-2	S-4224	15A-11	SP 9602	SP-2	TH-21996	TH-3
PL-7924	PL-9	PL-14698	PL-17	S-4225	15A-11	SP 9603	SP-2	TH-21998	TH-3
PL-7925	PL-9	PL-14699	PL-17	S-4226	15A-11	SP 9604	SP-2	TH-21999	TH-3
PL-7926	PL-9	PL-14700	PL-17	S-4230	15A-20	SP 9605	SP-2	TH-22007	TH-3
PL-7927	PL-12	PL-14705	18-10	S-4231	15A-20	SP 9606	SP-2	TH-22134	TH-4
PL-7939	PL-14	PL-14706	18-10	S-4232	15A-20	SP 9607	SP-2	TH-22135	TH-4
PL-7940	PL-14	PL-14732	18-10	S-4233	15A-20	SP 9608	SP-2	TH-22136	TH-4
PL-7941	PL-14	PL-15515	PL-17	S-4248	24-12	SP 9609	SP-2	TH-22137	TH-4

MASTER INDEX

Part#	Page#	Part#	Page#	Part#	Page#	Part#	Page#	Part#	Page#
TH-22142	TH-4	TH-23084	TH-5	U-9504	DS-12	U-9801	DS-14	U-9908	DS-22
TH-22232	TH-4	TH-23085	TH-5	U-9509	DS-12	U-9802	DS-14	U-9909	DS-22
TH-22233	TH-4	TH-23086	TH-5	U-9510	DS-12	U-9805	DS-18	U-9910	DS-22
TH-22235	TH-4	TH-23087	TH-5	U-9511	DS-10	U-9806	DS-18	U-9911	DS-22
TH-22240	TH-4	TH-23089	TH-3	U-9512	DS-10	U-9807	DS-18	U-9912	DS-22
TH-22243	TH-4	TH-23090	TH-3	U-9513	DS-10	U-9810	DS-14	U-9915	DS-24, 15A-17
TH-22245	TH-4	TH-23091	TH-3	U-9514	DS-10	U-9811	DS-14	U-9916	DS-24, 15A-17
TH-22247	TH-4	TH-23092	TH-3	U-9515	DS-13	U-9812	DS-14	U-9917	DS-24, 15A-17
TH-22253	TH-4	TH-23093	TH-7	U-9516	DS-13	U-9815	DS-18	U-9918	DS-24, 15A-17
TH-23008	TH-1	TH-23094	TH-7	U-9517	DS-13	U-9816	DS-18	U-9919	DS-21, 15A-10
TH-23009	TH-1	TH-23095	TH-6	U-9524	DS-13	U-9817	DS-18	U-9920	DS-21, 15A-11
TH-23010	TH-1	TH-23096	TH-6	U-9532	DS-3	U-9820	DS-14	U-9921	DS-21, 15A-11
TH-23011	TH-1	TH-23097	TH-1	U-9533	DS-3	U-9821	DS-14	U-9924	DS-16
TH-23012	TH-1	TH-23098	TH-6	U-9534	DS-3	U-9824	DS-15	U-9925	DS-16
TH-23013	TH-1	TH-23099	TH-6	U-9535	DS-5	U-9825	DS-15	U-9927	DS-16
TH-23014	TH-3	U-9013	24-11	U-9536	DS-5	U-9828	DS-15	U-9928	DS-16
TH-23015	TH-3	U-9014	24-11	U-9537	DS-7	U-9829	DS-15	U-9932	DS-17
TH-23016	TH-3	U-9015	24-10	U-9539	DS-5	U-9830	DS-15	U-9933	DS-17
TH-23017	TH-3	U-9129	24-15	U-9540	DS-6	U-9833	DS-15	U-9935	DS-17
TH-23018	TH-3	U-9130	24-15	U-9541	DS-6	U-9834	DS-15	U-9936	DS-17
TH-23019	TH-3	U-9140	24-6	U-9542	DS-6	U-9835	DS-15	U-9938	DS-17
TH-23020	TH-2	U-9185	24-6	U-9543	DS-8	U-9838	DS-15	U-9939	DS-17
TH-23021	TH-2	U-9186	24-6	U-9544	DS-8	U-9839	DS-15	U-9940	DS-31
TH-23022	TH-2	U-9191	24-10	U-9545	DS-8	U-9842	DS-20	U-9941	DS-33
TH-23023	TH-2	U-9313	24-6	U-9546	DS-7	U-9845	DS-16	U-9942	DS-33
TH-23024	TH-2	U-9232	24-12	U-9547	DS-6	U-9846	DS-21, 15A-10	U-9943	DS-33
TH-23025	TH-2	U-9233	24-12	U-9548	DS-6	U-9847	DS-21, 15A-10	U-9944	DS-33
TH-23026	TH-2	U-9243	24-6	U-9549	DS-6	U-9848	DS-18	U-9945	DS-33
TH-23027	TH-2	U-9244	24-6	U-9550	DS-6	U-9849	DS-18	U-9946	DS-33
TH-23028	TH-2	U-9267	24-6	U-9551	DS-6	U-9850	DS-18	U-9947	DS-33
TH-23029	TH-2	U-9268	24-6	U-9552	DS-6	U-9853	DS-19	U-9949	DS-33
TH-23030	TH-2	U-9270	24-6	U-9553	DS-8	U-9854	DS-19	U-9951	DS-23, 15A-18
TH-23031	TH-2	U-9271	24-6	U-9554	DS-8	U-9855	DS-19	U-9952	DS-23
TH-23044	TH-6	U-9275	24-6	U-9555	DS-8	U-9857	DS-17	U-9961	DS-23
TH-23045	TH-6	U-9282	24-6	U-9556	DS-8	U-9858	DS-20	U-9965	DS-26
TH-23046	TH-6	U-9283	24-6	U-9558	DS-8	U-9861	DS-18	U-9966	DS-26
TH-23047	TH-6	U-9284	24-6	U-9559	DS-7	U-9862	DS-18	U-9967	DS-27, 15A-13
TH-23048	TH-6	U-9316	24-10	U-9560	DS-7	U-9863	DS-16	U-9968	DS-27, 15A-13
TH-23049	TH-6	U-9375	24-9	U-9561	DS-7	U-9866	DS-19	U-9969	DS-27, 15A-13
TH-23050	TH-6	U-9376	24-9	U-9564	DS-8	U-9867	DS-19	U-9970	DS-27, 15A-13
TH-23051	TH-6	U-9377	24-9	U-9565	DS-8	U-9870	DS-19	U-9971	DS-27, 15A-13
TH-23053	TH-6	U-9378	24-9	U-9566	DS-9	U-9871	DS-19	U-9972	DS-27, 15A-14
TH-23054	TH-6	U-9379	24-9	U-9567	DS-9	U-9874	DS-19	U-9973	DS-27, 15A-14
TH-23055	TH-6	U-9380	24-10	U-9568	DS-6	U-9875	DS-24	U-9974	DS-27, 15A-14
TH-23056	TH-6	U-9422	DS-3	U-9569	DS-6	U-9876	DS-24	U-9975	DS-9
TH-23057	TH-7	U-9424	DS-3	U-9570	DS-6	U-9877	DS-20	U-9976	DS-9
TH-23058	TH-7	U-9425	DS-5	U-9571	DS-6	U-9878	DS-20	U-9977	DS-7
TH-23059	TH-7	U-9426	DS-4	U-9572	DS-8	U-9879	DS-20	U-9978	DS-8
TH-23060	TH-7	U-9427	DS-4	U-9573	DS-8	U-9880	DS-24	U-9980	DS-14
TH-23061	TH-2	U-9474	DS-3	U-9575	DS-8	U-9881	DS-24	U-9982	DS-14
TH-23062	TH-2	U-9475	DS-5	U-9577	DS-7	U-9882	DS-20	U-9983	DS-24
TH-23063	TH-2	U-9476	DS-4	U-9581	DS-8	U-9883	DS-20	U-9989	DS-3
TH-23064	TH-2	U-9477	DS-4	U-9582	DS-8	U-9884	DS-20	U-9990	DS-3
TH-23069	TH-1	U-9480	DS-4	U-9583	DS-9	U-9885	DS-23	U-9991	DS-5
TH-23070	TH-1	U-9481	DS-10	U-9584	DS-9	U-9887	DS-23	U-9992	DS-4
TH-23071	TH-1	U-9482	DS-10	U-9585	DS-6	U-9888	DS-23	U-9993	DS-5
TH-23072	TH-1	U-9483	DS-2	U-9586	DS-6	U-9891	DS-24	U-9997	DS-21, 15A-10
TH-23073	TH-1	U-9484	DS-2	U-9587	DS-6	U-9892	DS-24	U-10020	24-9
TH-23074	TH-6	U-9485	DS-2	U-9588	DS-6	U-9893	DS-24	U-10021	24-9
TH-23075	TH-6	U-9486	DS-2	U-9589	DS-8	U-9895	DS-24	U-10036	24-13
TH-23076	TH-2	U-9487	DS-2	U-9590	DS-8	U-9896	DS-24	U-10037	24-13
TH-23077	TH-2	U-9488	DS-2	U-9591	DS-8	U-9897	DS-23	U-10038	24-13
TH-23078	TH-2	U-9490	DS-9	U-9592	DS-8	U-9899	DS-23	U-10042	24-9
TH-23079	TH-2	U-9492	DS-9	U-9594	DS-7	U-9900	DS-23	U-10043	24-9
TH-23080	TH-5	U-9500	DS-12	U-9595	DS-7	U-9901	DS-23	U-10044	24-9
TH-23081	TH-5	U-9501	DS-12	U-9598	DS-8	U-9902	DS-23	U-10066	24-15
TH-23082	TH-5	U-9502	DS-12	U-9599	DS-8	U-9905	DS-22	U-10067	24-15
TH-23083	TH-5	U-9503	DS-12	U-9800	DS-14	U-9907	DS-22	U-10068	24-15

<i>Part#</i>	<i>Page#</i>	<i>Part#</i>	<i>Page#</i>	<i>Part#</i>	<i>Page#</i>	<i>Part#</i>	<i>Page#</i>	<i>Part#</i>	<i>Page#</i>
U-1006924-15								
U-1007224-9								
U-1007324-9								
U-1007424-10								
U-1007524-15								
U-1007624-15								
U-1007724-15								
U-1007824-15								
U-10079	...DS-24, 15A-17								
U-10080	...DS-24, 15A-17								
U-1008124-15								
U-1008224-15								
U-1008324-15								
U-1008424-15								
U-1008524-15								
U-1008624-15								
ZZ-2022B-10								
ZZ-34GD-17								
ZZ-57GD-17								
ZZ-58GD-17								